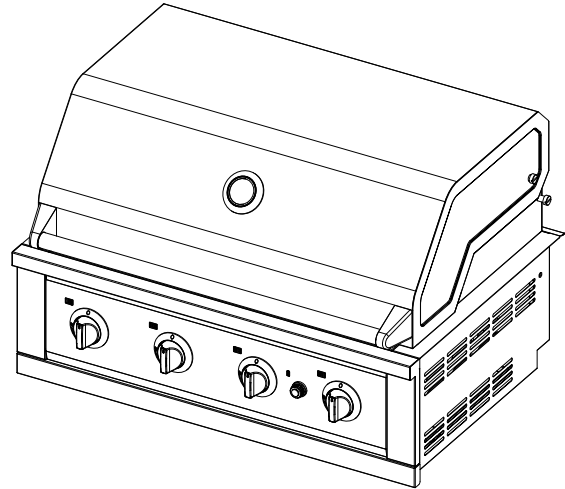


NEWAGE PERFORMANCE 36" GRILL

(PROPANE)

SKU#66991 - NEWAGE PERFORMANCE 36" GRILL - LP
SKU#66280 - NEWAGE PERFORMANCE 36" GRILL - LP
WITH 36" GRILL CART



⚠ WARNING

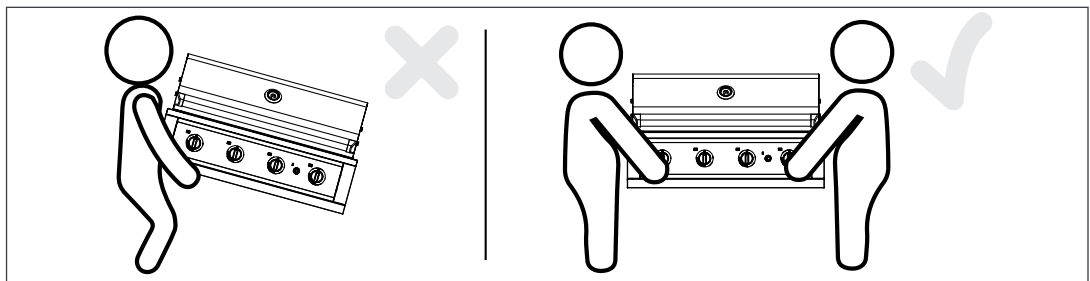
If the information in the grill's instructions are not followed exactly, a fire, explosion or production of carbon monoxide may result causing property damage, personal injury or loss of life. The licensed gas fitter is responsible for the proper installation of the grill.

INSTALLATION AND OPERATION GUIDE



Warning: Excessive weight hazard!

Use two or more people to move, assemble, or install the grill to avoid back injury. Do not leave children unattended near the grill or cabinets.



ATTENTION: Is your Grill damaged?

Need help or spare parts? For fastest service, contact NewAge Products at 1-877-306-8930; or support@newageproducts.com. Do not return to the retailer.

THIS INSTRUCTION MANUAL CONTAINS IMPORTANT INFORMATION NECESSARY FOR THE PROPER ASSEMBLY AND SAFE USE OF THE APPLIANCE.
READ AND FOLLOW ALL WARNINGS AND INSTRUCTIONS BEFORE ASSEMBLING AND USING THE APPLIANCE.
FOLLOW ALL WARNINGS AND INSTRUCTIONS WHEN USING THE APPLIANCE. FAILURE TO OPERATE THIS PRODUCT IN A WELL VENTILATED AREA CAN CAUSE PROPERTY DAMAGE, INJURY OR DEATH.

For the online installation manual and videos regarding this product, please check out our support hub via: <https://NewAgeproducts.com/support-hub/>

DANGER

Read and follow the instructions in this manual fully and completely before installing, servicing or operating the grill to reduce the risk of :

1. Fire
2. Personal injury or property damage
3. Improper installation

THIS PRODUCT IS DESIGNED FOR OUTDOOR USE ONLY. Do not install or operate indoors, in a garage, in a screened in porch, gazebo, or any other enclosed area. This outdoor cooking gas appliance is not intended to be installed in or on recreational vehicles , boats or in a non-ventilated room. Failure to operate this product in a well ventilated area can cause property damage, injury or death. Keep the area surrounding the grill clear and free from combustible materials, gasoline and other flammable vapors and liquids.

WARNING

1. Do not store or use gasoline or other flammable liquids or vapors in the vicinity of this or any other appliance.
2. A Propane gas cylinder not connected for use shall not be stored in the vicinity of this or any other appliance.

The installation must conform with local codes or, in the absence of local codes, with either the National Fuel Gas code, ANSI Z223.1/NFPA 54 or the National Gas and Propane installation code, CSA B149.1, or the Propane Storage and Handling Code, CSA B149.2, or the Standard for Recreational Vehicles, ANSI A119.2/ NFPA, and CSA Z240 RV Series, Recreational Vehicle Code as applicable.

CAUTION

1. The outdoor cooking gas appliance and its individual shutoff valve must be disconnected from the gas supply piping system during any pressure testing of that system at test pressures in excess of 0.5 psi (3.5 kPa).
2. The outdoor cooking gas appliance must be isolated from the gas supply piping system by closing its individual manual shutoff valve during any pressure testing of the gas supply piping system at test pressures equal to or less than 1/2 psi (3.5 kPa).

DANGER

IF YOU SMELL GAS:

1. Shut off gas to the appliance.
2. Extinguish any open flame.
3. Open the lid.
4. If odor continues, keep away from the appliance and immediately call your gas supplier or your fire department.

WARNING

CALIFORNIA PROPOSITION 65

1. This product can expose you to chemicals including Carbon Monoxide, which is a by-product of combustion known to the State of California to cause cancer and birth defects or other reproductive harm. For more information go to www.P65Warnings.ca.gov.
2. California law requires businesses to warn customers of potential exposure to such substances. To minimize exposure to the substances, always operate this unit according to the use and care instructions found in this manual. Be certain to provide adequate ventilation when cooking.
3. California Proposition 65 lists "Silica, crystalline" which is used in one of the components of the IR burner, as an agent known to the state of California to cause cancer.

WARNING

STATE OF MASSACHUSETTS

1. Massachusetts requires all gas be installed using a plumber or gas fitter carrying the appropriate Massachusetts license.

WARNING

1. Always maintain the required clearances from combustible construction as detailed. The grill is designed for outdoor use only. Never use in a garage, building, shed, breezeway or other enclosed area. This grill shall not be used under any unprotected overhead combustible construction.
2. Gas grills are not design certified for and are not to be installed in or on recreational vehicles, portable trailers, boats or any other moving installation.
3. Do not repair or replace any part of the grill unless specifically recommended in this manual.
4. All gas lines must have a shut-off that is readily and easily accessible. Be sure the owner knows where the shut-off is located. If you smell gas, check for gas leaks immediately. Check only with a soap and water solution. Never check for gas leaks with an open flame. (See INDEX: "Leak Testing" for further details.)

IMPORTANT NOTES

This Gas Barbecue Is Certified Under Canadian And American National Standards, ANSI Z21.58-2018 and CSA 1.16-2018 respectively for Outdoor Gas Grills and should be installed to conform with local codes. In absence of local codes, install to the current CAN B149.2 Natural Fuel Gas Code and the Propane Installation Code, CSA B149.1 Propane Installation Code in Canada or to the National Fuel Gas Code, ANSI Z223.1/NFPA 54 the National Fuel Gas Code the Natural Gas and Propane Installation Code, CSA B149.2.

CAUTION

1. If you want to connect the appliance to fixed fuel piping system, and have any questions about the installation, contact "NEWAGE Product Inc", call Customer Support Team >1- 877-306-8930; or support@newageproducts.com
2. The warranty of the product may be voided if the installation deviates from the installation instructions provided in this manual.

Index

Safe Operating Practices	6
Parts Supplied	11
Tools Needed	12
Product Inspection	12
Product Specifications	13
Installing Grill on NewAge Grill Cabinet & Carts	14
Installing Grill on custom built cabinet	17
Assembling the Grill	23
Optional Accessories	25
Gas Connections	28
Leak Testing Instructions	36
AA Battery Maintenance	38
Pre-Grill Checklist	39
Lighting the Grill	40
Burner Position and Flame Adjustment	43
General Grill Operation and Cooking Procedures	46
Grill Maintenance and Cleaning	49
Troubleshooting	53
Exploded View and Spare Parts	56
NewAge Customer Service	58

NEWAGE PRODUCTS INC. PERFORMANCE GRILLS MANUFACTURER WARRANTY

PROOF OF PURCHASE IS REQUIRED TO OBTAIN WARRANTY SERVICE.

Please have the following information available when you call our customer service team:

- Name, address and telephone number
- Product Name / SKU Number
- A clear, detailed description of the problem
- Proof of purchase including order number

Register your NewAge Products purchase online for quicker customer assistance and access to exclusive benefits

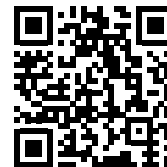
Visit www.newageproducts.com/register/

Warranty Claim

For warranty service please contact NewAge Products at **1-877-306-8930**; or support@newageproducts.com

Please review all warranty details below, prior to contacting NewAge Products for a claim.

Scan the QR code on the right to access our support page or visit www.newageproducts.com/contact-us/



Scan this QR code with the camera on your mobile device to visit the NewAge Products Support Hub

www.newageproducts.com/support-hub/

LIMITED WARRANTY

NewAge is proud to offer a 10 Years Limited Warranty from the date of purchase. This is subject to the limitations and disclaimers set forth below and other product documentations.

Length of Warranty	Warranty Covered Items	Cost to NewAge	Cost to Customer
10 years	Stainless steel grill hood / burner box/ Interior Brackets	Materials	Shipping
5 Years	Rotisserie Forks and Spit, Rotisserie Rollers, Grill grates, Grease Trays, Ceramic Rotisserie Burner, Ceramic Sear Burner, H shaped Burner and Side Burners	Materials	Shipping
2 Years	All other parts and accessories	Materials	Shipping

WHAT IS COVERED

When this product is installed, operated and maintained according to the instructions attached to or furnished with the product, NewAge Products Inc. will replace the defective product or parts if the part fails as a result of defective materials or workmanship for the warranty duration from the purchase date of the product.

WHAT IS NOT COVERED

1. Service calls to correct the installation of any NewAge products or to instruct you how to use or install them.
2. Damage resulting from products caused by accident, misuse, abuse, fire, flood, improper installation, acts of God, neglect, modification or mishandling.
3. Products damaged by improperly loading beyond the specified maximum weight capacity outlined in the instructions provided with the product.
4. Repairs or replacement when your product is used in other than normal, residential use, such as a commercial environment, or handled in anyway inconsistent with the installation instructions included with the product.
5. Cosmetic damage that occurs after customer purchasing the product, including scratches, dings, dents, corrosion, or stains in the material that does not affect the structural or functional capability of the product.
6. Surfaces damaged due to improper use of chemicals, and detergents.
7. Discoloration due to the high heat, for example beside a grill, is a trait of stainless steel.
8. Surface rust resulting from acid rain or environmental chemicals.
9. Replacement parts for NewAge products outside Canada and the United States.
10. Loss due to theft.
11. Damage resulting from use of the product contrary and not in accordance to the instruction manual.
12. Any labor costs during the warranty period.

The 304 stainless steel material used in the construction of NewAge Outdoor Kitchen Grill is highly rust resistant, however, chlorine in the air from swimming pools or the salt from sea air may cause surface rust to appear and even create some pitting corrosion if left on the product. We suggest cleaning all stainless steel surfaces at least every two weeks to keep your Grill in prime condition. The chemical reaction from salt is easy to prevent however it is more difficult when left on the surface.

DISCLAIMER OF IMPLIED WARRANTIES

IMPLIED WARRANTIES, INCLUDING TO THE EXTENT APPLICABLE WARRANTIES OF MERCHANTABILITY OR FITNESS FOR A PARTICULAR PURPOSE, ARE EXCLUDED TO THE EXTENT LEGALLY PERMISSIBLE. ANY IMPLIED WARRANTIES THAT MAY BE IMPOSED BY LAW ARE LIMITED TO ONE YEAR, OR THE SHORTEST PERIOD ALLOWED BY LAW. THIS WARRANTY IS LIMITED TO THE ORIGINAL BUYER. Some states and provinces do not allow limitations on the duration of implied warranties of merchantability or fitness, so this limitation may not apply to you. This warranty gives you specific legal rights, and you also may have other rights that vary from state to state or province to province.

LIMITATION OF REMEDIES; EXCLUSION OF INCIDENTAL AND CONSEQUENTIAL DAMAGES

YOUR SOLE AND EXCLUSIVE REMEDY UNDER THIS LIMITED WARRANTY SHALL BE PRODUCT REPAIR OR REPLACEMENT AT OUR DISCRETION AS PROVIDED HEREIN. NEWAGE SHALL NOT BE LIABLE FOR INCIDENTAL OR CONSEQUENTIAL DAMAGES. Some states and provinces do not allow the exclusion or limitation of incidental or consequential damages, so these limitations and exclusions may not apply to you. This warranty gives you specific legal rights, and you also may have other rights that vary from state to state or province to province.

Safe Operating Practices

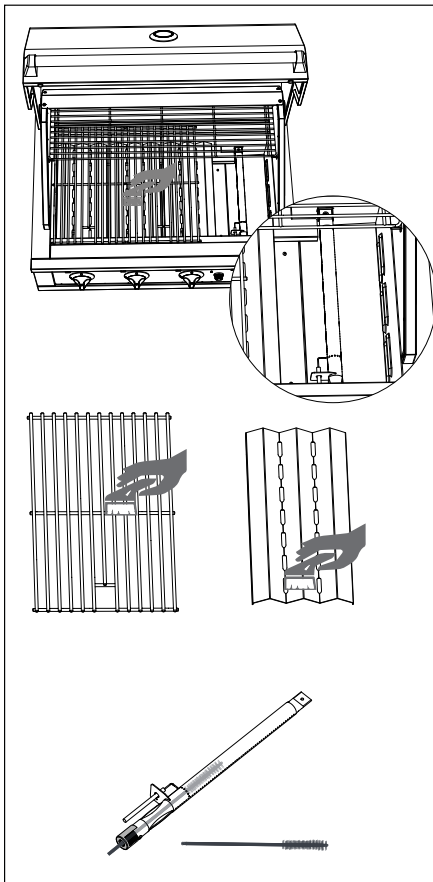
1. NewAge Grill must be assembled and installed according to the instructions in the manual.
2. Read the entire instruction manual prior to operating grill.
3. NewAge Grill must be used outdoors in a well ventilated area, and cannot be used indoors, in a enclosed area such as a garage, gazebo, screened in porch or other similar enclosed area.
4. NewAge grills are not designed or certified for and are not to be installed in or on recreational vehicles, portable trailers, boats.
5. Never use the grill in windy conditions. If located in a consistently windy area, oceanfront, mountaintop, etc., a windbreak will be required. Always adhere to the specified clearances as described in the INSTALLATION section of this manual. **Refer to the page 10 for additional information.**
6. Do not modify the NewAge Grill.
7. Do not operate the NewAge Grill under, or near combustible construction.
8. Maintain proper clearance to combustibles, 18" (457 mm) to rear of unit, 14" (356mm) to sides. Additional clearance of 32" (810mm) is recommended near vinyl siding or panes of glass.
9. Always shut off the main valve on the Propane gas cylinder after each use.
10. Never use dented, rusty or damaged propane cylinders.
11. A spare Propane gas tank cannot be stored below the gas grill.
12. Never attach or disconnect a Propane gas cylinder, or move or alter gas fittings when the grill is in operation or is hot.
13. Use only propane cylinders with a QCC1 type connection.
14. When the propane cylinder is connected to the appliance, the gas grill and cylinder must be stored outdoors in a well-ventilated space.
15. When the gas grill is to be stored indoors, the connection between the propane cylinder and the gas grill must be disconnected and the cylinder removed and stored outdoors in a well ventilated space out of reach of children. Disconnected cylinders must not be stored in a building, garage or any other enclosed area.
16. Inspect the fuel supply hose before each use. If there is evidence of excessive abrasion or wear or the hose is cut, it must be replaced prior to using the gas grill with a replacement hose assembly specified by the grill manufacturer.
17. Leak test the unit before initial use, annually, and whenever any gas components are replaced. **Refer to page 8 for additional information.**
18. Follow lighting instructions carefully when operating grill.
19. Burner controls must be off when turning supply cylinder valve on.
20. The grill hood must be fully opened while lighting the grill. Failure to do so will risk an explosion, and personal injury or death.
21. Never lean over the grill and keep face away from grill when lighting.
22. Never let your gas hose touch your burner box. **Refer to page 9 for additional information.**
23. Always use a covered hand when opening the grill lid and only do so slowly to allow heat and steam to escape.
24. Do not leave grill unattended when operating.
25. Do not use aluminum foil to line drip pans or grill grates or radiants. This can severely upset combustion air flow or trap excessive heat in the control area. The result of this can be melted knobs or damaged ignition components.

Safe Operating Practices

26. Adults and children should be instructed on the hazards of high surface temperatures. Never leave children unsupervised around the NewAge Grill.
27. Never touch the grill racks, hood or immediate surrounding metal surfaces with your bare hands while grilling.
28. The NewAge Grill must be cooled before it is covered. Never place the cover on when cooking or while hot.
29. Keep all electrical cords and gas supply lines away from heated surfaces.
30. Never grill without the drip pan installed. Hot grease can leak down and produce a fire or explosion.
31. Clean grease trays regularly to prevent grease fires. **Refer to page 9 for additional information.**
32. Spiders and insects like to nest in the burners, venturis, valves and orifices of a grill, disrupting the gas flow. This very dangerous condition can cause a fire behind the control panel, damaging the grill and risking personal injury. If your grill has been unused for a long time, inspect and clean the burners, venturis, valves and orifices.
33. Clean the grill with caution. Avoid steam burns; do not use a wet sponge or cloth to clean the grill while it is hot. Some cleaners produce noxious fumes or can ignite if applied to a hot surface.
34. Do not locate, store or operate the grill on an inclined plane. If you are using a NewAge Grill Cart, make sure you lock the castor wheels before operating the grill.
35. Do not use charcoal or lighter fluid in the grill.
36. Do not move the appliance during use.
37. Do not use a power washer to clean the NewAge Grill.
38. Always have an ABC Fire Extinguisher accessible — never attempt to extinguish a grease fire with water or other liquids.
39. If the grill is installed by a licensed gas fitter or licensed technician, be sure that he/she shows you where your gas supply shut-off is located. All gas lines must have a shut-off that is readily and easily accessible. If you smell gas, check for gas leaks immediately. Check only with a soap and water solution.
40. For personal safety, wear proper apparel while barbecuing.
41. Do not use the grill for cooking excessively fatty meats or products, which promote flare-ups. To Control flare-ups, adjust the controls to lower the temperature. If your grill flare-up is out-of-control, turn off the burners. Don't use water to put out flare-ups. Spraying water on a flare-up can cause grease to explode.

Note: THIS MANUAL MUST REMAIN WITH THE PRODUCT OWNER FOR FUTURE REFERENCE

Safe Operating Practices



Regularly clean your grill components to prevent flare-ups and grease fires

Just like the cooking appliances in your home, your NewAge Grill needs to be regularly cleaned and maintained to operate at peak performance. This not only produces tastier, healthier food, but it reduces the chance of dangerous flare-ups or grease fires.

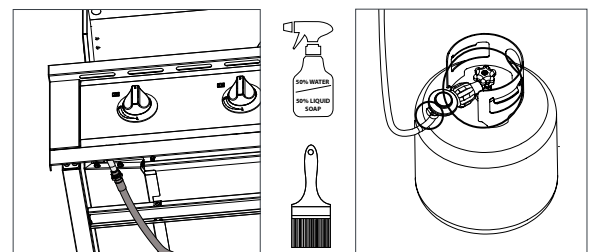
Here are the key areas to keep clean:

1. Remove cooking grates and scrape excess food particles with a BBQ brush after every use. For a deep clean, soak and scrub with dish soap and water a few times per season.
2. Pull out the grease tray after every use and scrape off any grease or food chunks. Wash with dish soap and water to keep it sparkling clean.
3. Your Flame Tamer Panels will accumulate a lot of burnt on sauces and grease drippings. Remove residue from the Panels with a scraper, and use a wire brush to clear debris from the Flame Tamers.
4. Burners that aren't used frequently can get blocked by spiders who are drawn to the gas smell, and build webs inside the burner tubes. Use a wire-brush to clean the inside of the burners and remove debris from the outside of the burners.
5. Scrape down the interior of your burner box at least once a season to remove carbon build-up. Scoop or vacuum out the debris, reinstall all components and enjoy a much cleaner grilling experience.

Test your hose connections for gas leaks

Gas leaks are a serious issue that can be easily avoided by doing a quick and simple leak check annually, or whenever gas components are replaced or serviced.

1. Ensure that all grill control knobs are in the off position.
2. Turn on the fuel supply,
For Propane Gas
Turn the cylinder valve knob counterclockwise 1 full rotation.
3. Brush or spray a half-and-half solution of liquid soap and water onto all joints and connections of the regulator, hose, manifolds and valves.
4. Bubbles will indicate a gas leak. **IMMEDIATELY** turn off the gas supply and do not use the grill until contacting a licensed gas fitter to replace faulty parts.



! WARNING

The leak test must be done before initial use, annually, and whenever any gas components are replaced or serviced. Do not smoke while performing this test and remove all sources of ignition. See Leak Testing Diagram for areas to check. Never conduct a leak test using fire or flame. Sparks or open flames will result in a fire or explosion, damage to property, serious bodily injury or death.

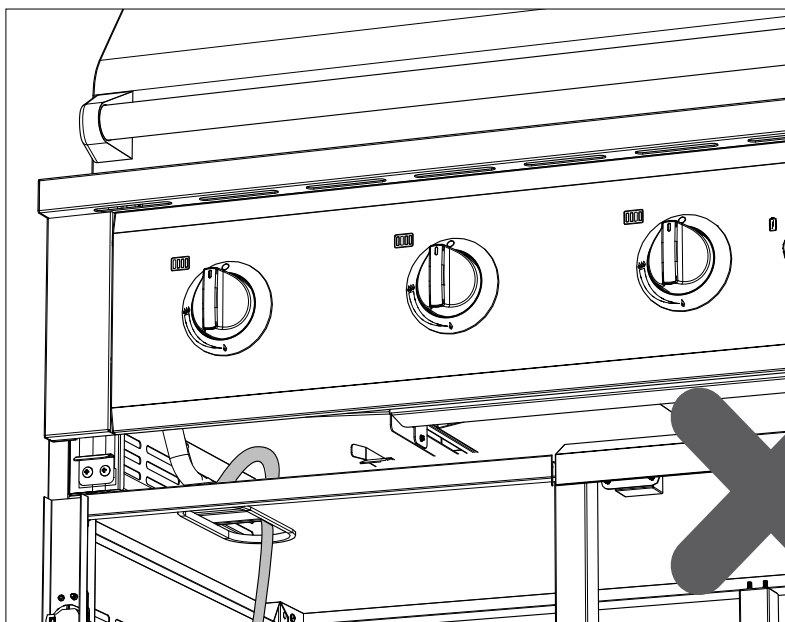
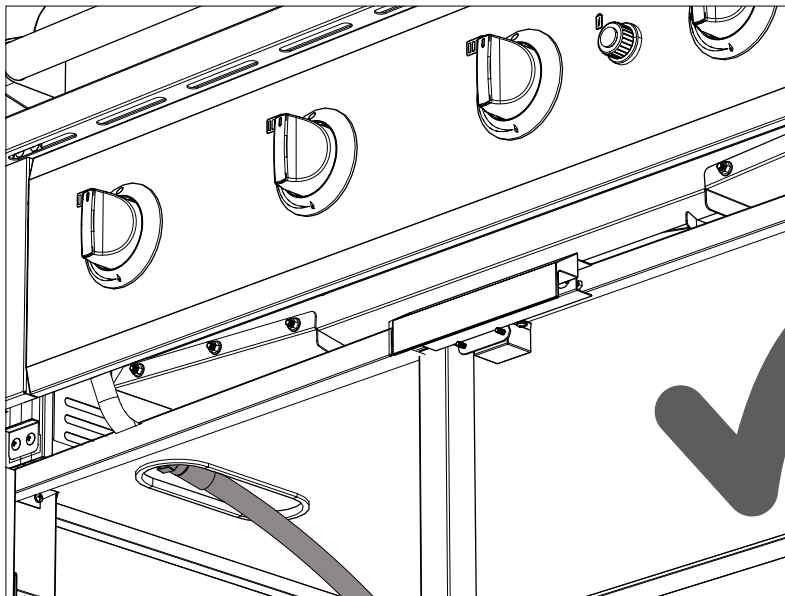
Safe Operating Practices

Never let your gas hose touch your burner box

The underside of your grill gets incredibly hot. Pushing your excess gas line into the cavity below your grill, or coiling it beneath the burner box can melt the exterior coating of the gas hose and cause a fire.

Take these steps to make sure your hose is positioned safely:

1. Ensure your grill is **off** and **cooled down**.
2. Kneel down and look in the cavity for the hose at the left-hand side of the grill.
3. If the hose is bunched up, or touching the firebox, pull the gas hose from the bottom of the cabinet until any excess line is removed.
4. Check the hose for signs of melting or damage. If the damage has occurred, or you are unsure of how to check, contact **Customer Support Team >1-877-306-8930;** [or support@newageproducts.com](mailto:support@newageproducts.com)

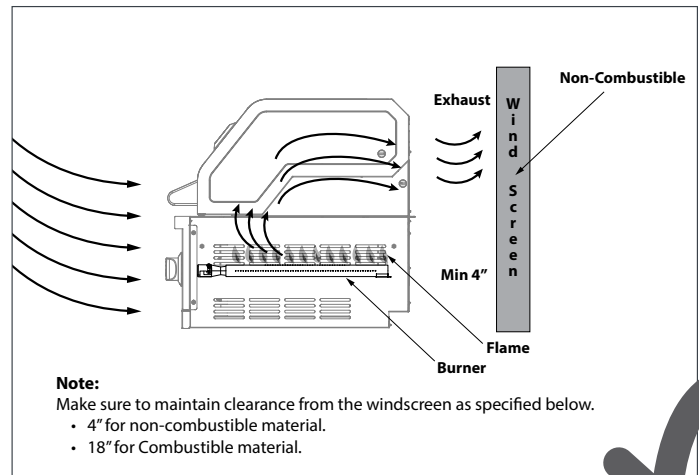
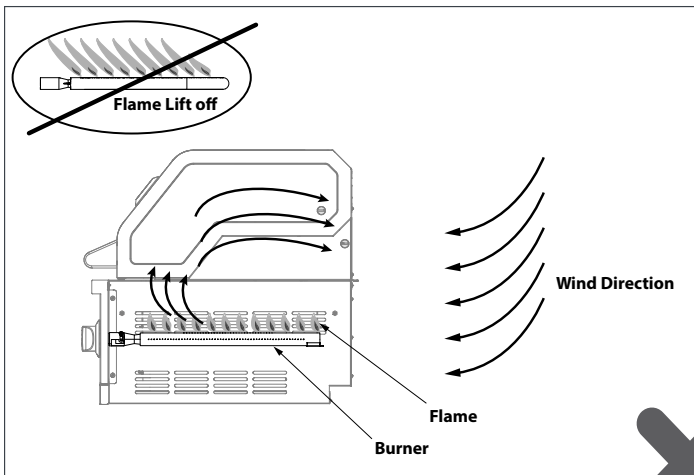


Safe Operating Practices

Grilling in windy conditions

⚠ WARNING

Using your grill in windy conditions may disrupt the front-to-back airflow. If, while grilling with all burners on high and the hood closed, you notice that the temperature gauge fails to rise.....be careful. If wind has kept hot gases from exiting the rear of the grill the control panel and knobs may have become extremely hot.



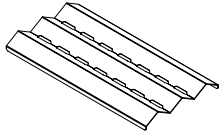
During the high wind conditions, it is best if you don't use your grill. If located in consistently windy area (oceanfront, mountaintop, etc.) a wind break will be required. Always adhere to the specified clearances as defined in the "Installation Manual".

⚠ Note

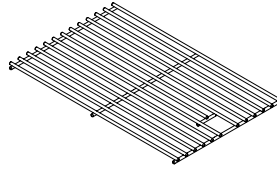
Any damage caused from use in windy conditions, such as melted knobs or igniter wires, or control panel discoloration from heat buildup, is excluded form warranty coverage.

Parts Supplied

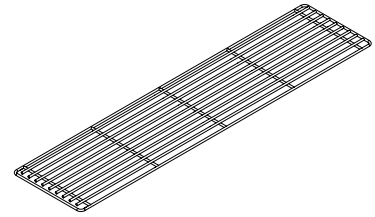
Main Grill Parts



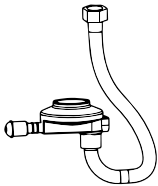
4x Flame Tamer
Panel



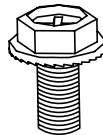
3x Cooking Grate



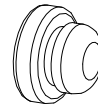
1x SS Warming
Rack



1x Propane Gas
Regulator & Hose (Pre-installed)

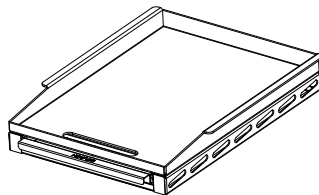


2 x M6x12L
Hex Head Screws

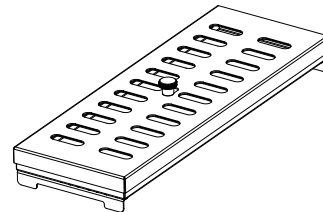


2x Rubber Bumpers

Optional Accessories



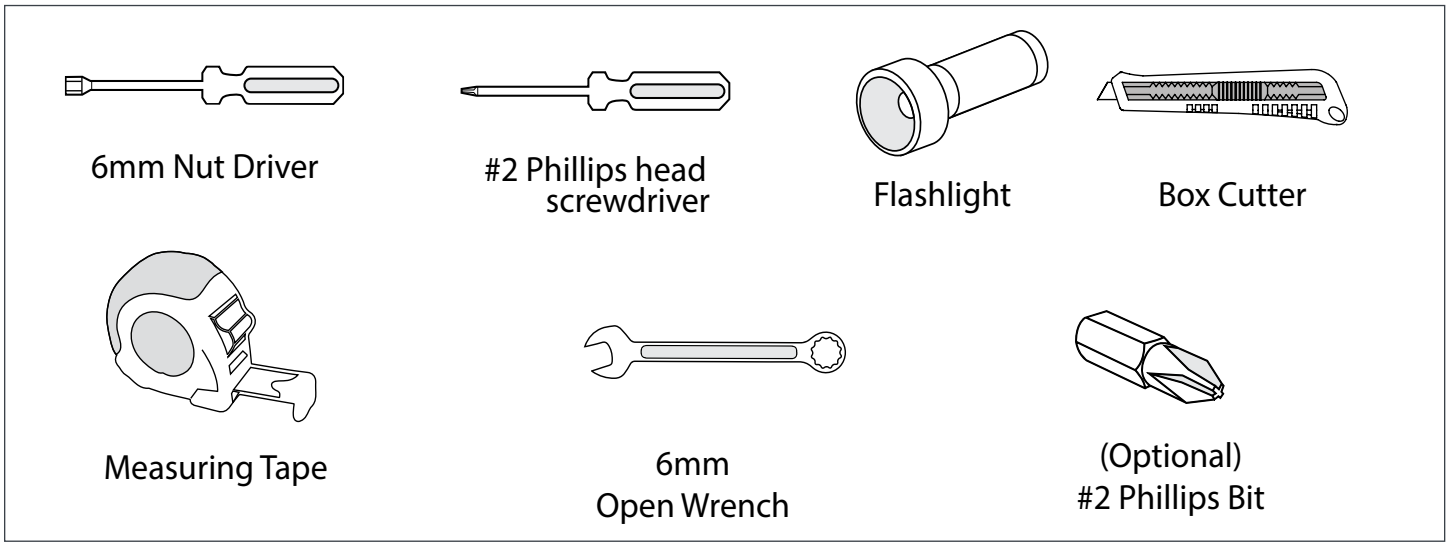
Griddle
SKU#66940



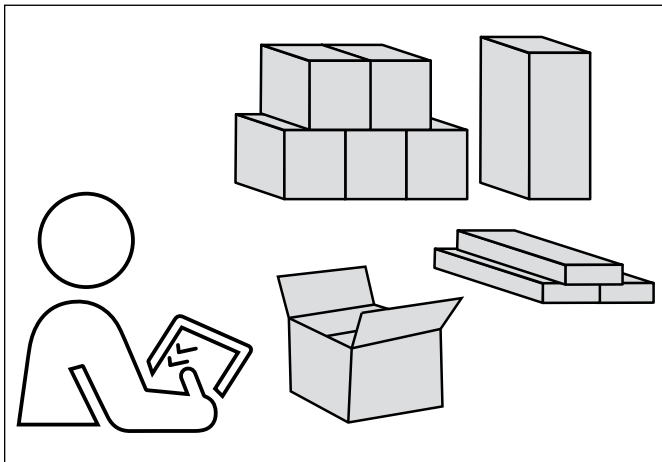
Smoker Box
SKU#66946

*Accessories offering depends on location and subject to change.

Tools Needed

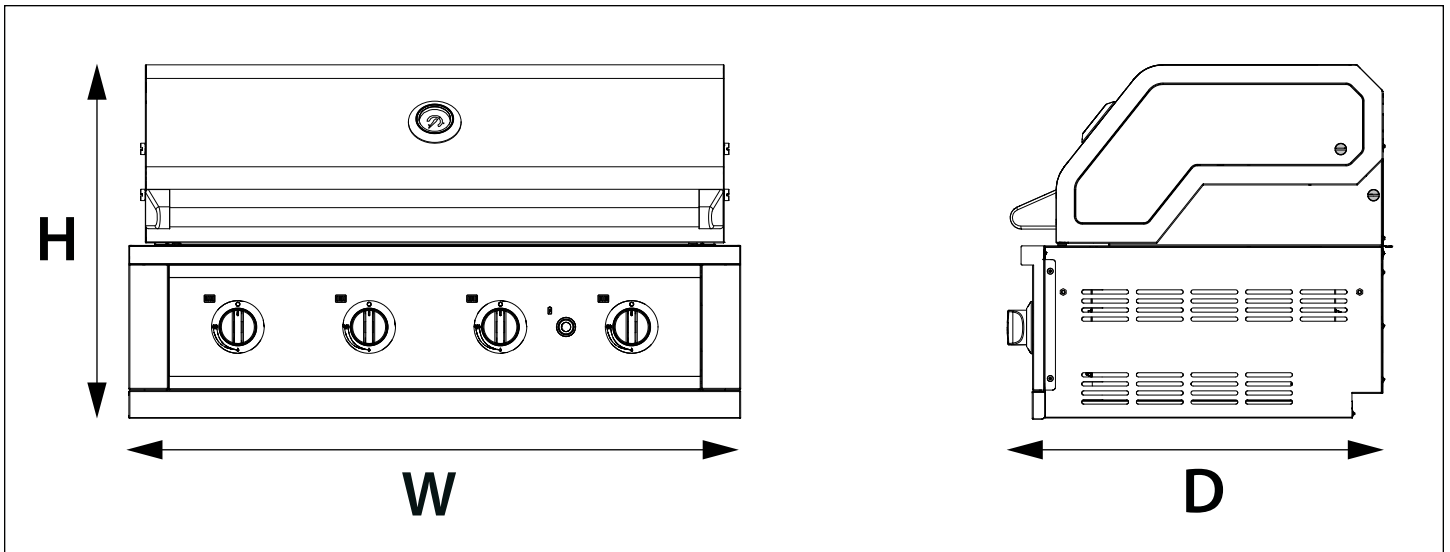


Product Inspection



- Check to see all parts are received as per the order placed.
- Contact NewAge Products at 1-877-306-8930; for any missing parts.
- Inspect the products for any damages before starting the installation.
- Go through the installation instructions carefully before starting the installation.

Product Specifications



NewAge 36" Grill

Dimensions

Width (W)	35.98"
Depth (D)	24.20"
Height (H)	23.04"

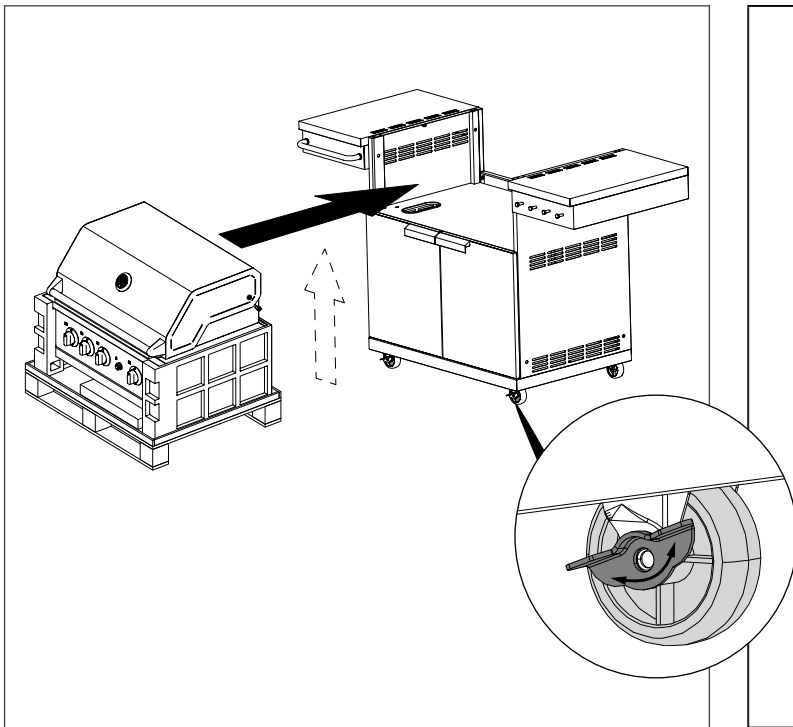
Details

Material	Stainless Steel	Main Grilling Area	562 Square inch
Primary Burner BTU	12,000 BTUs x 4	Warming Rack Area	257 Square inch
Fuel Type	Propane Gas	Cutout Width	34.5"
Total Power Output	48,000 BTUs	Cutout Depth	22.3"
Net Weight	124.12 Lbs	Cutout Height	11.2"

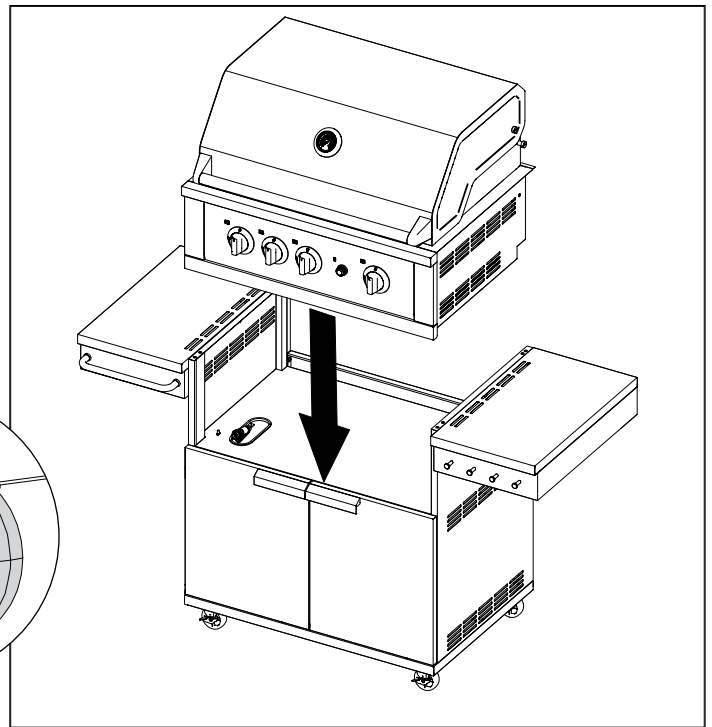
Installing Grill on NewAge Grill Cabinet/Cart

For more detailed instructions on installation steps, refer to the NewAge Grill Cabinet/ Cart installation guide.

- 1** Lock the Casters (if applicable). Pick the appliance from the shipping pallet, and place it onto the Cabinet/Cart directly.

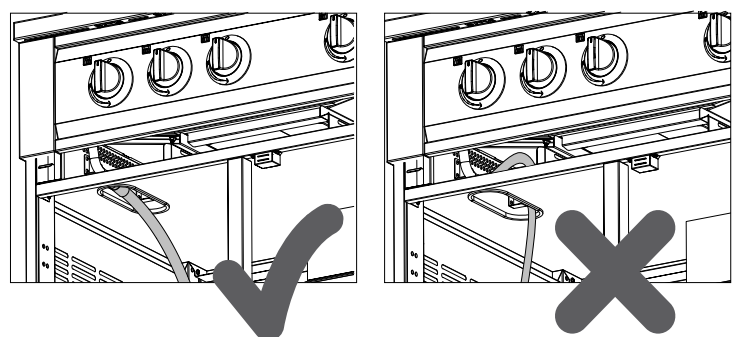
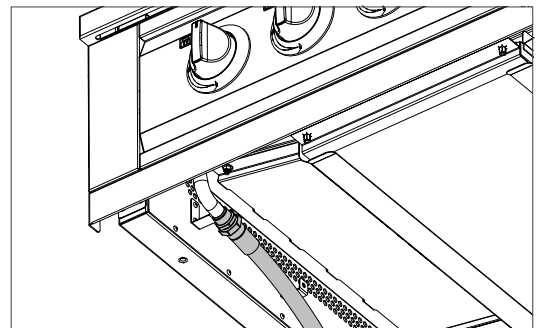
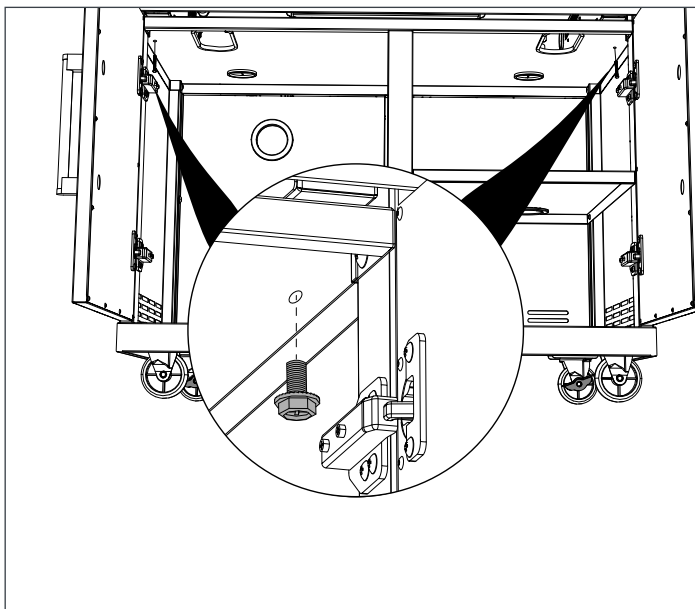


NOTE: When you are ready to install the appliance, place it directly onto the Cabinet/ Cart.
DO NOT place the appliance on floor or flat surface.



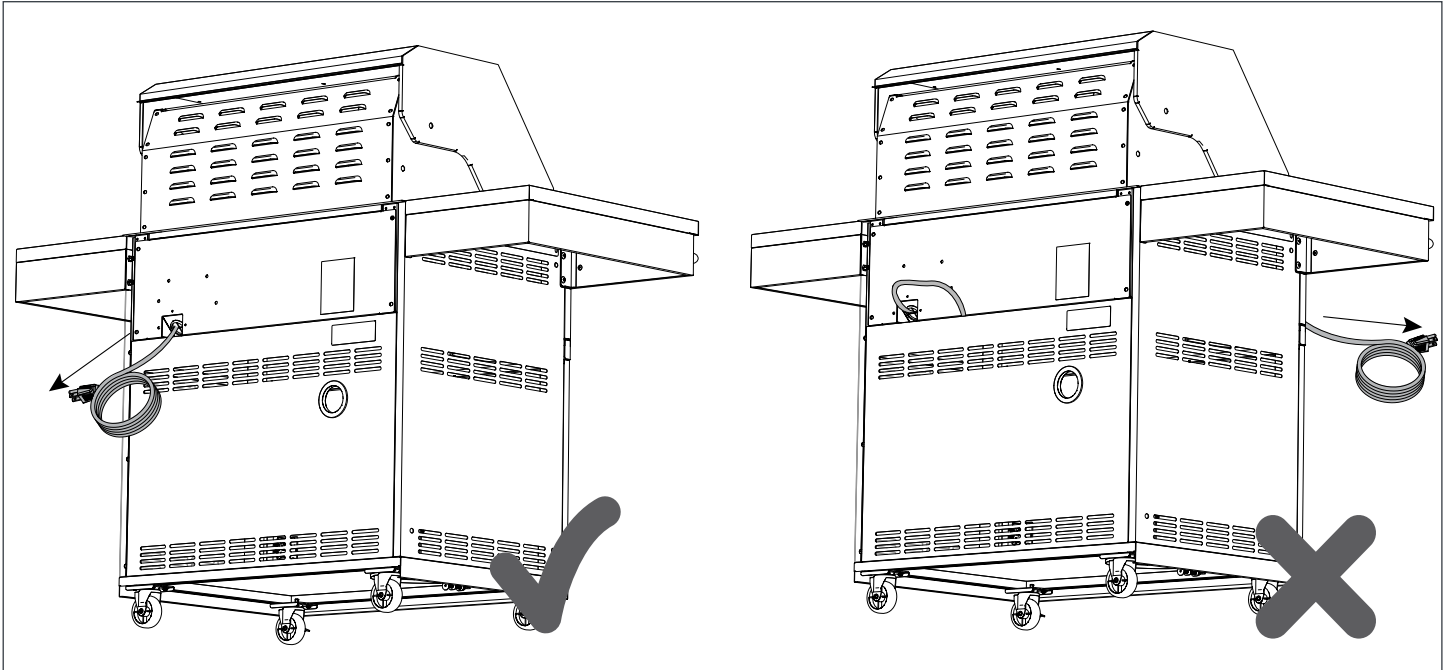
- 2** Secure grill to Cabinet/Cart by inserting two M6x12mm screw supplied with NewAge Cabinets/Carts from the bottom.

i While connecting the gas hose to the grill, make sure the hose is not bunched up below the grill.

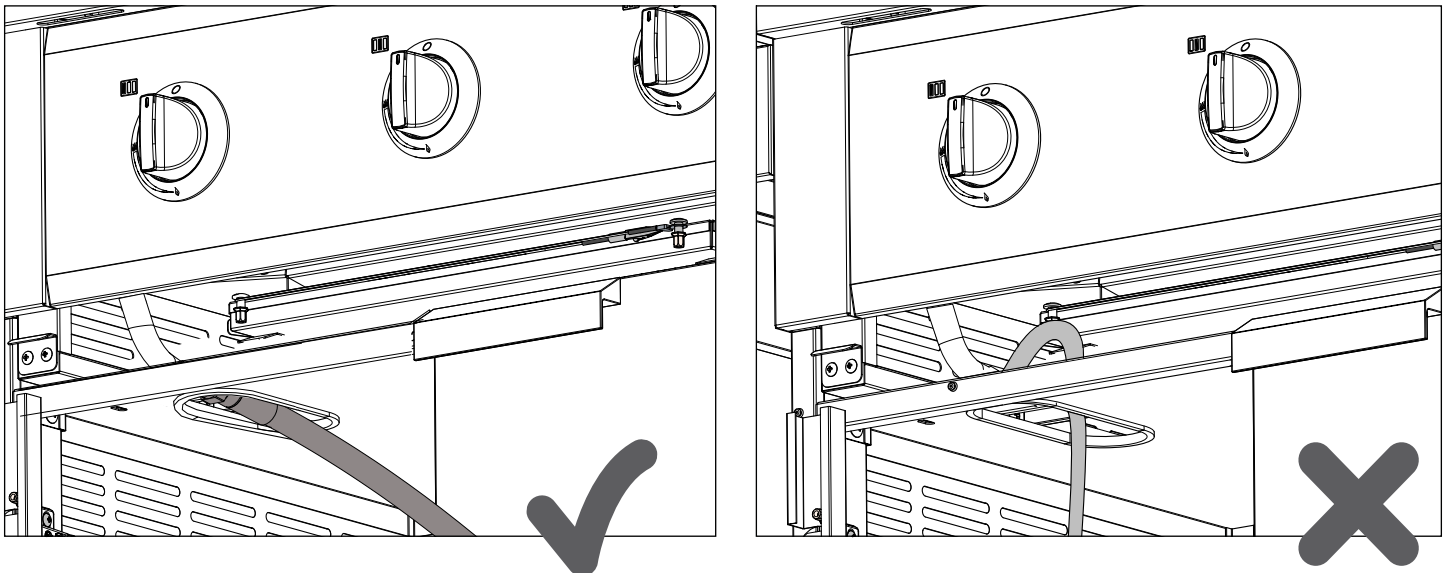


Installing Grill on NewAge Grill Cabinet/Cart

NOTE: Route the Power cable outside the cart back panel. **DO NOT** route the cable through underneath the Grill. (Applicable to Grill Cabinets and Carts both)

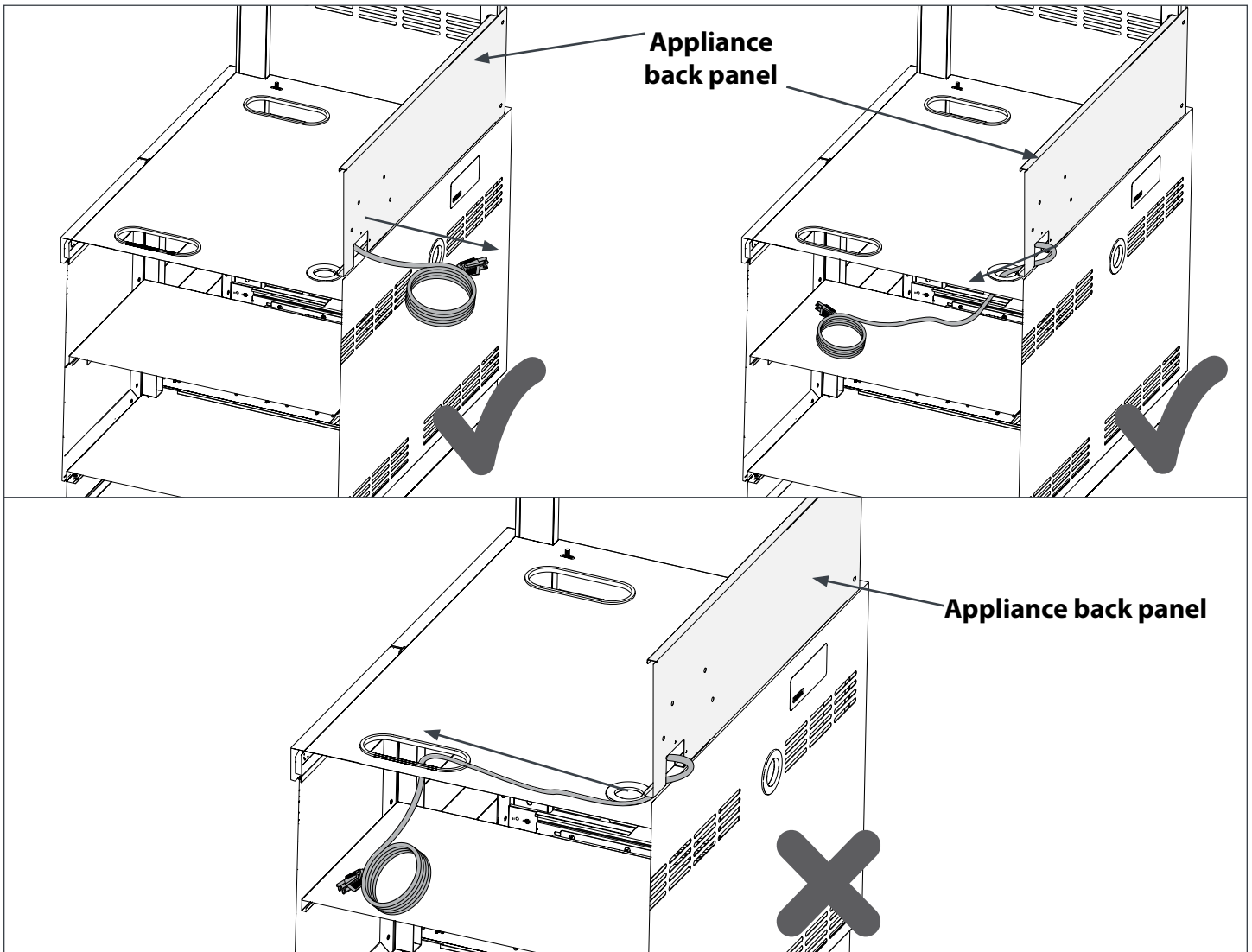


NOTE: While connecting the gas hose to the grill, make sure the hose is not bunched up below the grill. (Applicable to Grill Cabinets and Carts both)



Installing Appliance on NewAge Grill Cabinet

NOTE: Route the Power cable outside the cabinet back panel. **DO NOT** route the cable through underneath the Grill. (Applicable to Grill Cabinets and Carts both)



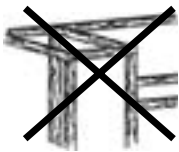
Installing Grill on custom built cabinet

The installation must conform with local codes or, in the absence of local codes, with the National Fuel Gas Code, ANSI Z223.1/NFPA 54, Storage and Handling of Liquefied Petroleum Gases, ANSI/NFPA 58; or Natural Gas and Propane Installation Code, CSA B149.1; Propane Storage and Handling.

⚠ CAUTION

1. If you want to connect the appliance to fixed fuel piping system, and have any questions about the installation, contact "NEWAGE Product Inc", call Customer Support Team >1- 877-306-8930; or support@newageproducts.com
2. The warranty of the product may be voided if the installation deviates from the installation instructions provided in this manual.

⚠ WARNING



Cabinet frame, cabinet side panels and counter top must be made from non-combustible material.

⚠ WARNING



A propane tank can not be stored below the gas grill. Only 1 max 20 lbs (12.125in x 17.75in) tank in service should be used with the Grill.

⚠ WARNING

1. DO NOT store or use products with flammable liquids or vapors in the vicinity of the NewAge Grill Cabinet, NewAge Outdoor Kitchen cabinets or any appliances.
2. DO NOT store a spare Propane gas cylinder in or near the NewAge Grill Cabinet, NewAge Outdoor Kitchen Cabinets, or any other appliances.

CLEARANCES:

TO NON-COMBUSTIBLE CONSTRUCTION

A minimum of 4" (10 cm) clearance from the back of the grill to non-combustible construction is required to allow the hood to be opened fully.

TO COMBUSTIBLE CONSTRUCTION

This appliance should NOT be installed over, under or next to unprotected combustible construction. A minimum clearance to vertical and rear combustible material is 18" (45 cm) and 14" (36cm) on the sides.

The minimum vertical clearance to combustible materials means that ALL combustible materials must be outside this 18" (45cm) zone. As an example, if you have an island with a stucco or tiled surface and wood-frame construction beneath, the wood is considered combustible, even though the grill is touching the stucco or tile surface, which is non-combustible. In extreme circumstances, the wood could potentially get hot enough to burn.

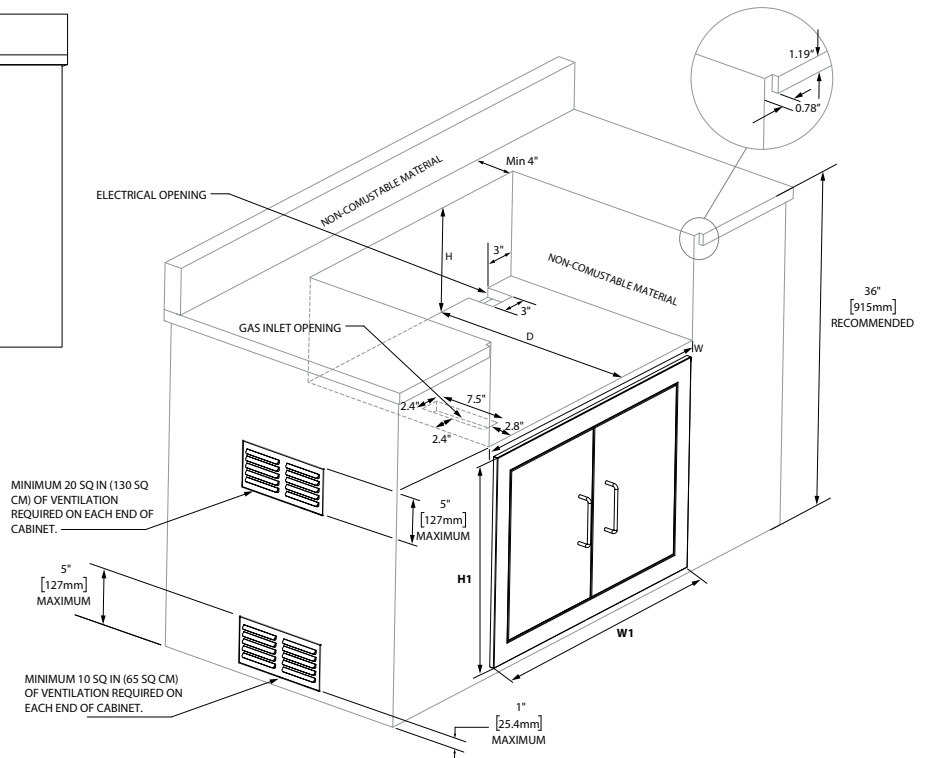
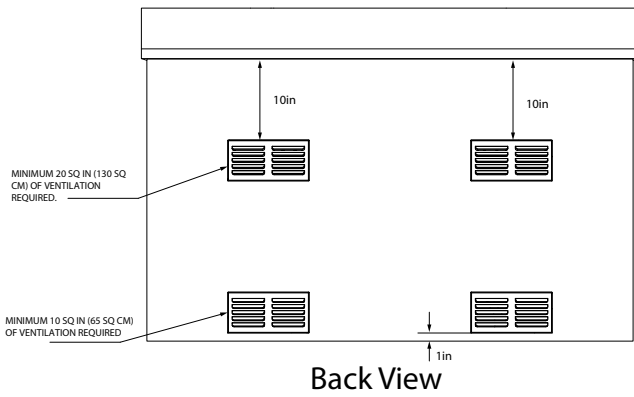
VENTILATION OPENINGS

A minimum of three 10 in² (65 cm²) of ventilation openings must be provided at the bottom of both left and right sides of your enclosure (island), as well as the back side. A minimum of three 20 in² (130 cm²) of ventilation openings must be provided at the top of both left, right and back sides of your enclosure (island) where the top of the opening aligns with the bottom of the grill cut-out. These openings are required to safely dissipate gas vapors if there is a leak in your enclosure.

Installing Grill on custom built cabinet

Layout for Non-combustible enclosure

Configuration Example 1: With closed cutout bottom



⚠ WARNING

- The upper vent opening must be at least 20 square inches for a 20 lb propane cylinder.
- The lower vent opening must be at least 10 square inches for a 20 lb propane cylinder.

⚠ WARNING



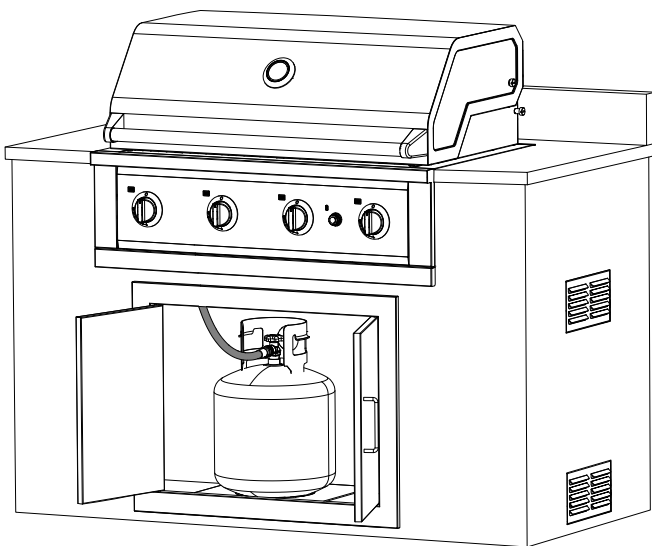
A propane tank can not be stored below the gas grill. Only 1 max 20 lbs (12.125in x 17.75in) tank in service should be used with the Grill.

NOTE: The cabinet should not be designed in a way that a spare cylinder can be stored inside the enclosure.

The opening of propane enclosure is limited to the dimensions below:

Width (W1) must be less than 23.5".

Height (H1) must be less than 18.5".



Propane tank must be secured to the built-in cabinet inside the cylinder enclosure.

Cutout Dimensions

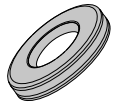
	SKU	W	D	H
33" Grill	66980	31.5"	22.3"	11.2"
	66990			
36" Grill	66981	34.5	22.3"	11.2"
	66991			
40" Grill	66982	38.5"	22.3"	11.2"
	66992			
Side Burner	66983	15.3"	22.4"	11.3"
	66993			

NOTE: These illustrations are for reference purpose only. Actual built-in cabinets and installation may differ.

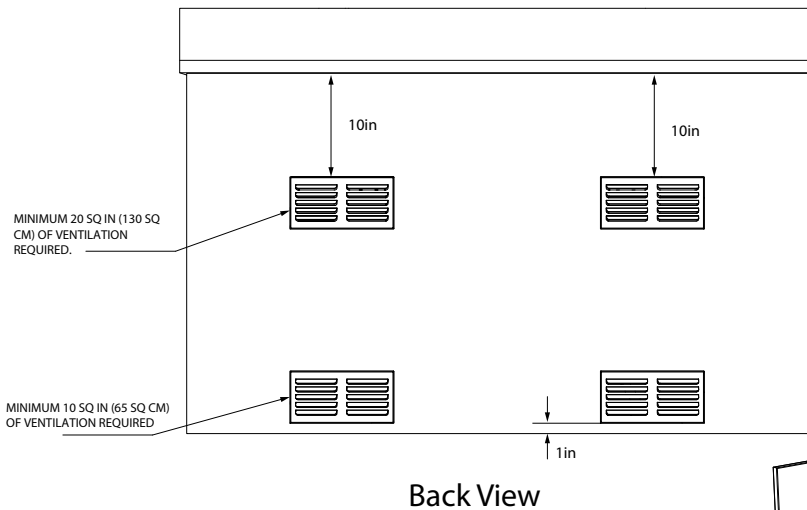
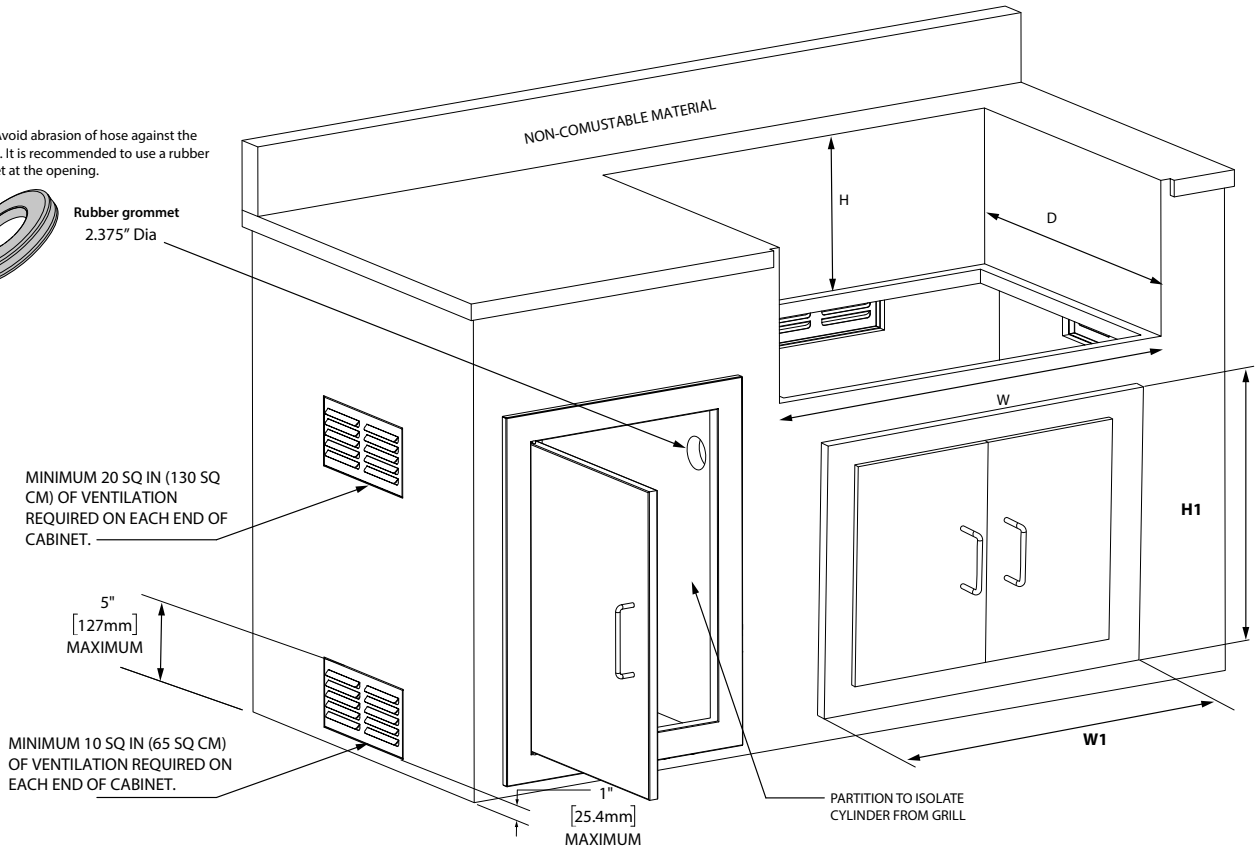
Installing Grill on custom built cabinet

Layout for Non-combustible enclosure Configuration Example 2: With open cutout bottom

Note: Avoid abrasion of hose against the opening. It is recommended to use a rubber grommet at the opening.



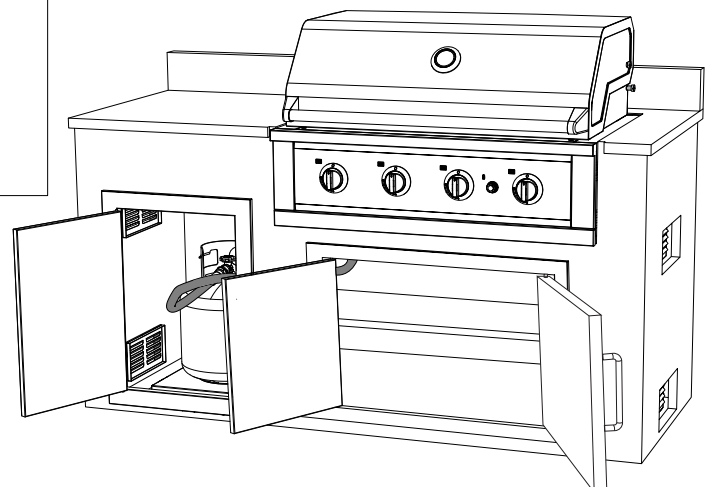
Rubber grommet
2.375" Dia



Note: The cabinet should not be designed in a way that a spare cylinder can be stored inside the enclosure.

The opening of propane enclosure is limited to the dimensions below:

Width (W1) must be less than 23.5"
Height (H1) must be less than 18.5"



NOTE: These illustrations are for reference purpose only. Actual built-in cabinets and installation may differ.

Propane tank must be secured to the built-in cabinet inside the cylinder enclosure.

Installing Grill on custom built cabinet

Propane gas Cylinder Connections

Make sure the Propane gas cylinder valve is fully closed. It is possible for the valve to be open without releasing gas but, as soon as you start connecting the regulator, gas will leak from the connection.

Insert the regulator inlet into the cylinder valve and turn the black coupler nut clockwise until the coupler nut is hand tight. Do not over-tighten this connection. See Figure 1 & 2.

To disconnect the coupler nut, first make sure the main cylinder valve is turned off. Grasp the coupler nut and turn counter clockwise. The inlet will then disengage.

Always leak-test the connection after refilling or exchanging Propane gas cylinders.

Dust Cap - Place dust cap on cylinder valve outlet whenever the cylinder is not in use. Only install the type of dust cap on the cylinder valve outlet that is provided with the cylinder valve. Other types of caps or plugs may result in leakage of propane.)

Propane cylinder must include a collar to protect the cylinder valve.

For an outdoor cooking gas appliance provided with a connection other than a No. 600. :“Turn off LP supply at cylinder when appliance is not in use.”

For an outdoor cooking gas appliance provided with a No. 600 Connection :“The LP gas supply cylinder must be disconnected when this appliance is not in use.”

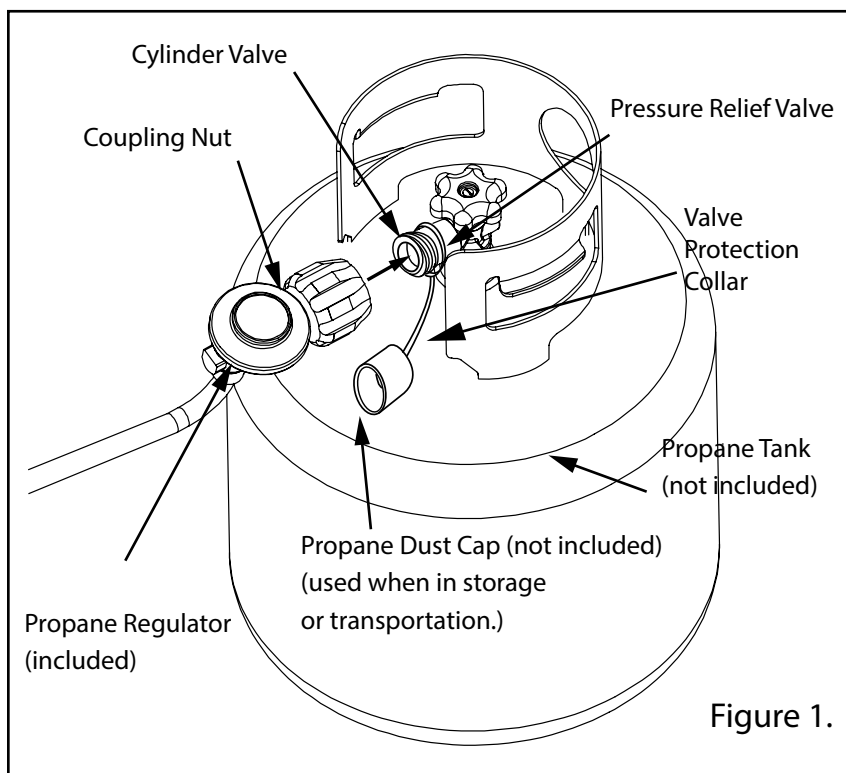


Figure 1.

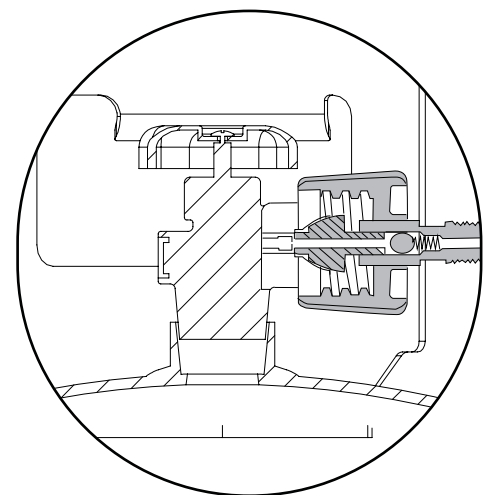
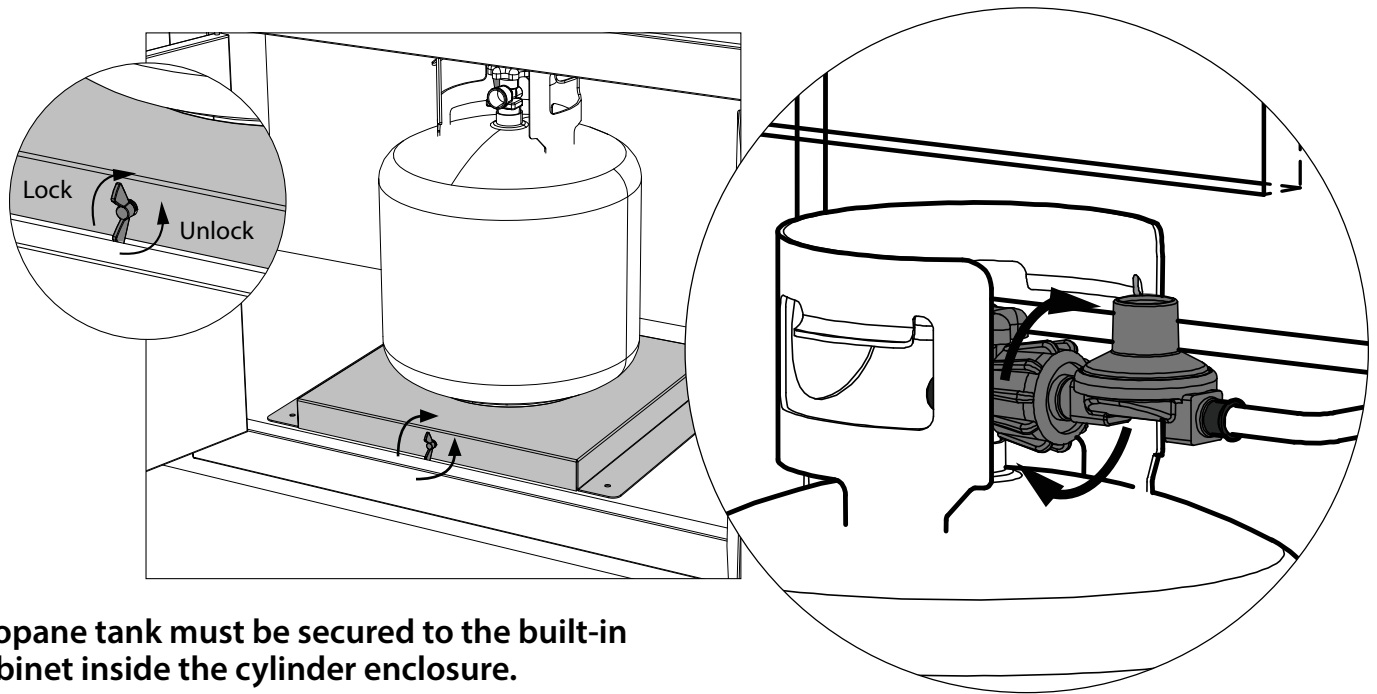


Figure 2.

Hand tighten to ensure proper seal for correct gas flow.

Installing Grill on custom built cabinet



Propane tank must be secured to the built-in cabinet inside the cylinder enclosure.

⚠ WARNING

- **This grill is designed for non-combustible enclosures only. As indicated on the rating plate, this gas grill is designed to operate with supply pressure of 11" WC for Propane.**
- **This appliance is certified to be used with 20 Lbs Propane tank.**
- **If the gas supply pressure is lower than these requirements, the unit will be under-fired and will not reach the maximum temperatures.**
- **Ensure that the supply line size complies with local and/ or national installation codes.**
- **If you want to connect the appliance to fixed fuel piping system, and have any questions about the installation, contact "NEWAGE Product Inc", call Customer Support Team >1-877-306-8930; or support@newageproducts.com**
- **The warranty of the product may be voided if the installation deviates from the installation instructions provided in this manual.**

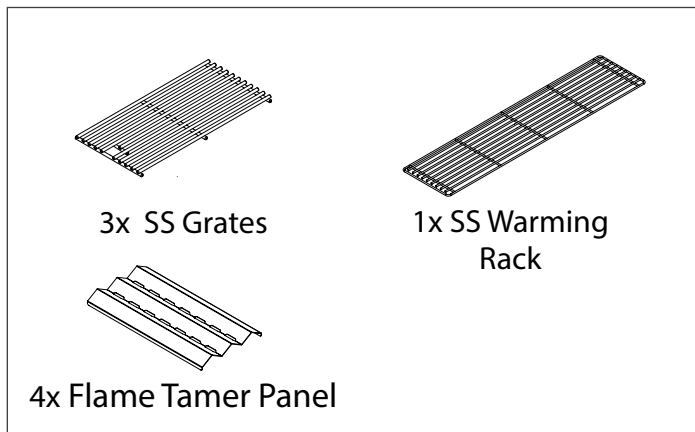
Installing Grill on custom built cabinet

Propane Cylinder Specifications

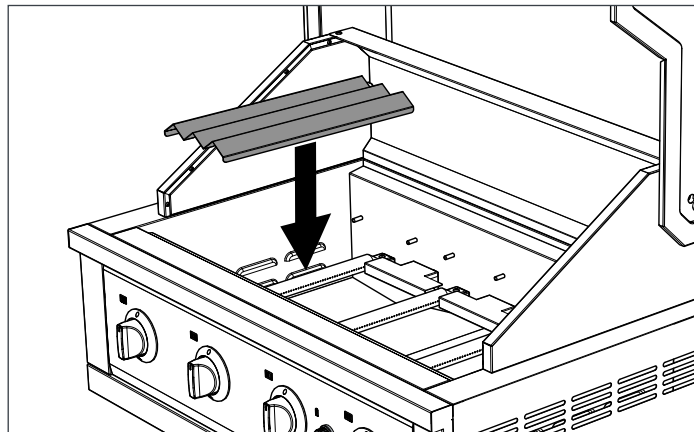
- Any L.P gas supply cylinder used with this grill must be appropriately 12 inches diameter and 18 inches high. The maximum fuel capacity is 80% and is approximately 20 pounds of propane.
- The L.P. cylinder must have a shut-off valve terminating in a Type 1 L.P.
- A Type 1 compatible cylinder with a Type 1 cylinder valve has a back-check valve which does not permit gas flow, until a positive seal has been obtained.
- The cylinder must be arranged for vapor withdrawal. It must also include a collar to protect cylinder valve. A safety relief device having direct communication with the vapor space of cylinder must be provided. This will expel high pressure gas if the cylinder is overfilled or overheated which could result in fire or explosion.
- Read labels on the L.P. Gas Supply Cylinder.
- New cylinders are always shipped empty for safety.
- Allow only qualified L.P gas dealers to fill or repair your L.P gas supply cylinder.
- Inform the gas dealer if it is a new or used cylinder to be filled.
- After filling, have the gas dealer check for leaks and to see that the relief valve remains effective and in good repair.

Assembling the Grill

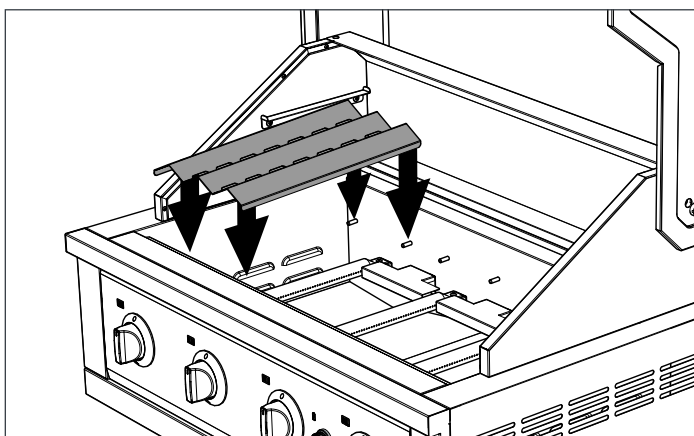
i Tools and Parts needed.



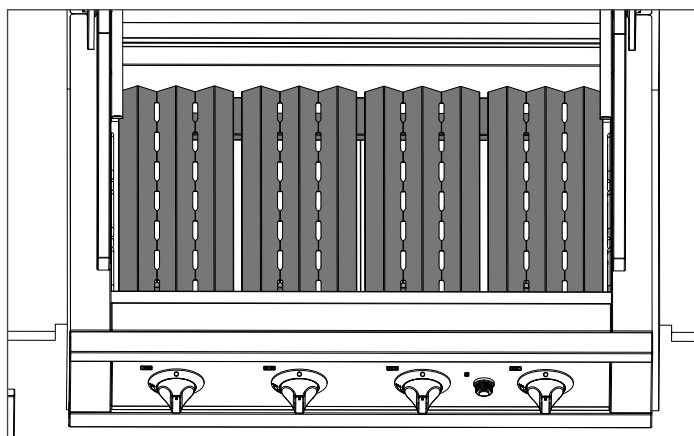
1 Install Flame Tamer Panel on top of the burner.



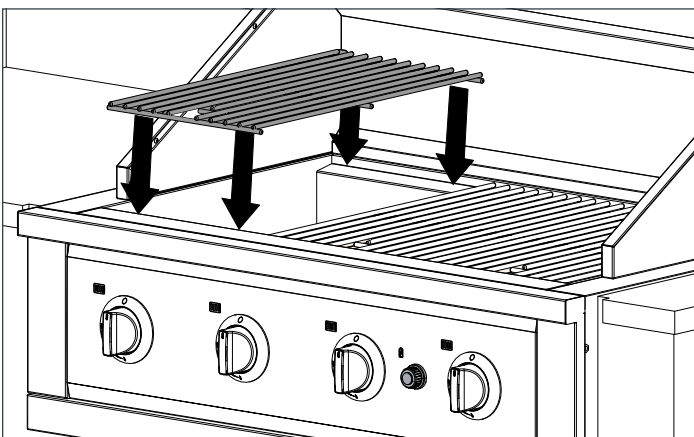
2 Make sure the Flame Tamer Panel sits properly on the dowel pins as shown below.



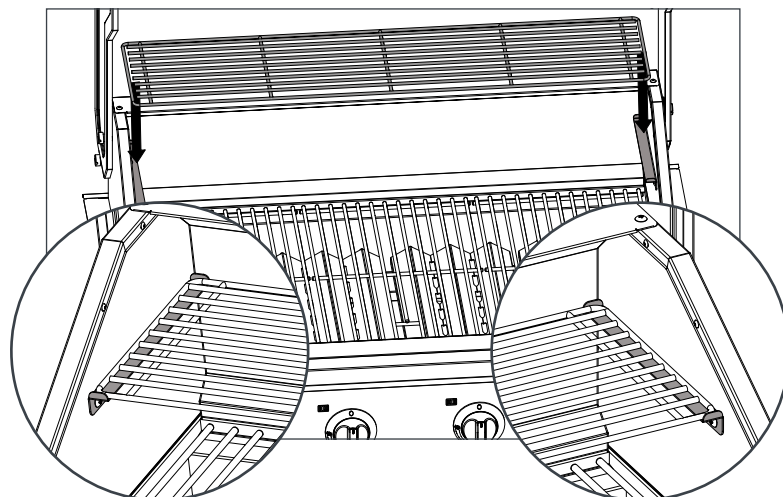
3 Similarly, install the remaining Flame Tamer Panels.



4 Install the three cooking grates on top of the Flame Tamer Panels as shown.

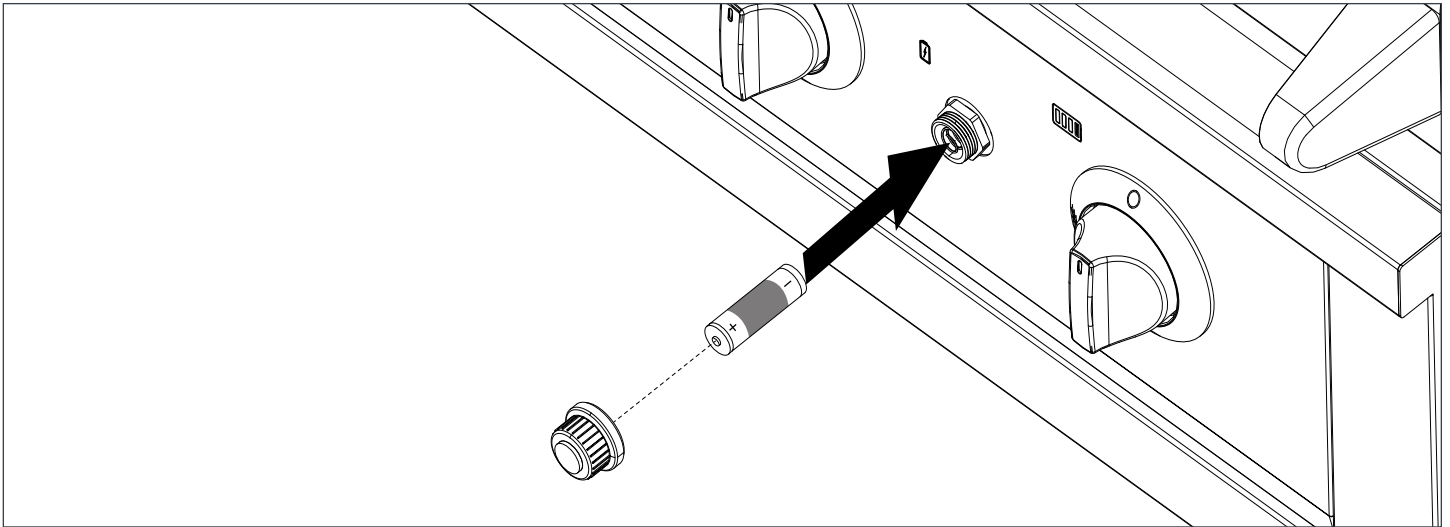


5 Install the warming rack, by placing it on the provided brackets.

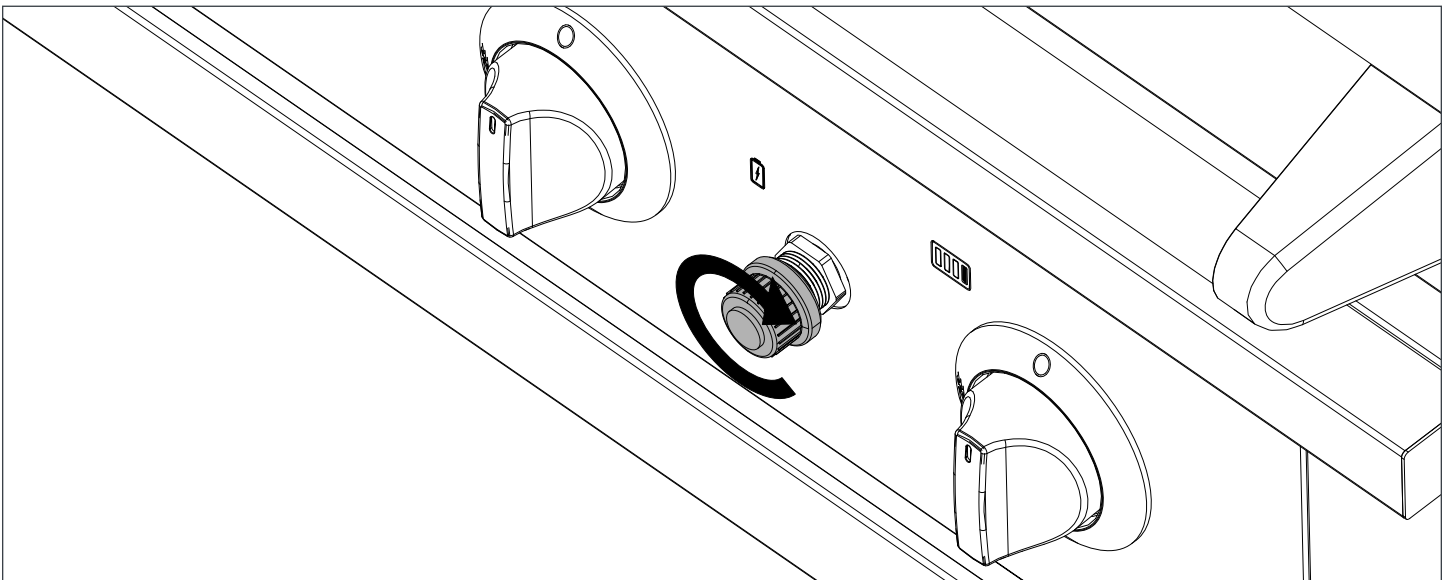


Assembling the Grill

- 6 Insert the AA battery cell into the Pulse Ignitor Battery Case. Then enclose it by tightening the Knob on the given threads in clockwise direction as shown.



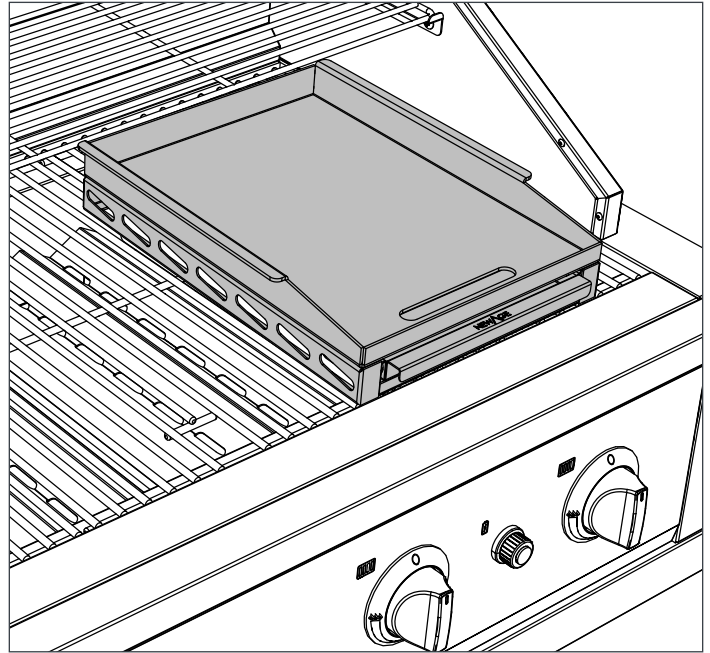
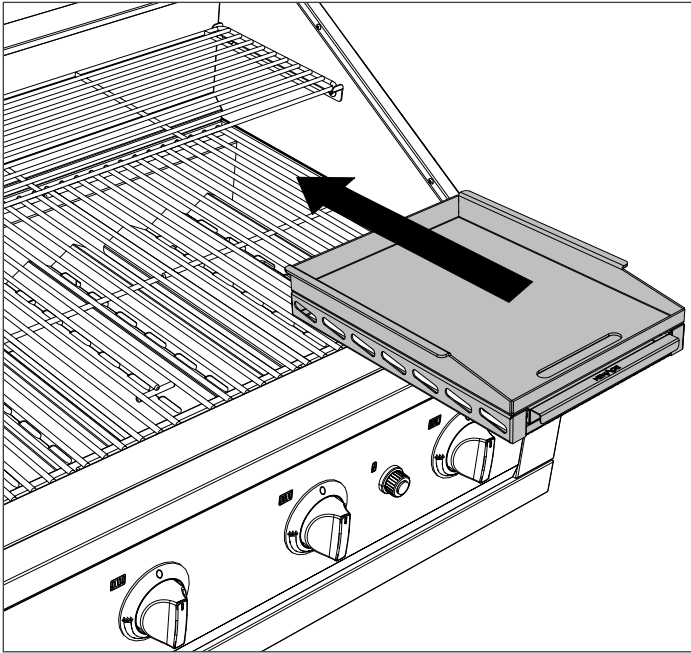
NOTE: AA Battery is not included with package.



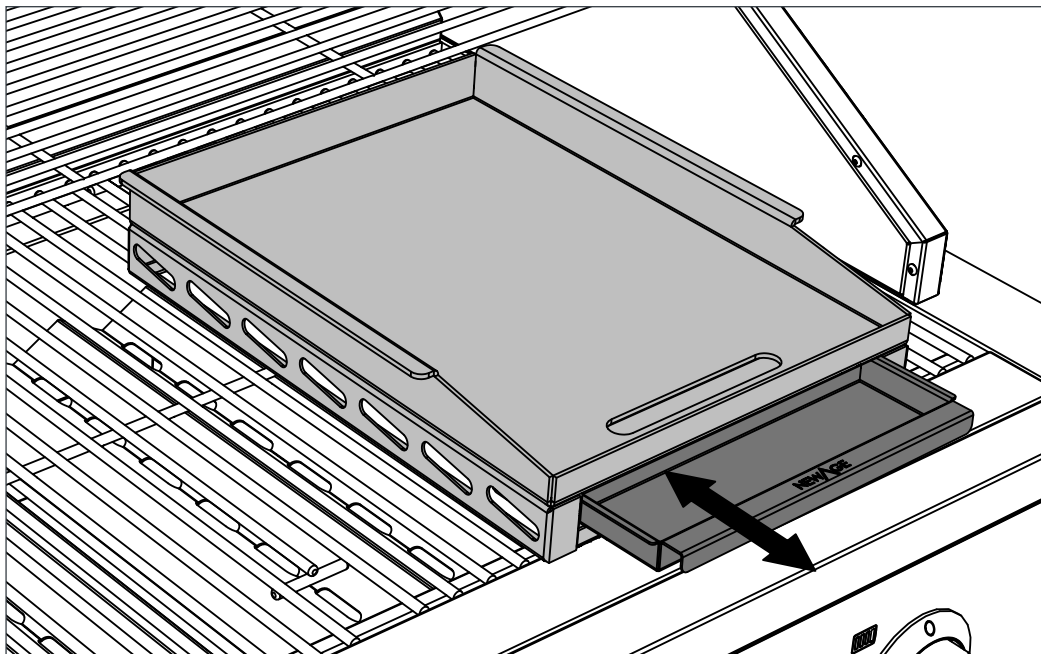
Optional Accessories

Installing the Griddle

- 1 Place the Griddle on top of the cooking grates as shown below.



- i** Grease pan can be slide in or out from the griddle to remove the grease collected.



⚠ WARNING

- During the usage the griddle gets extremely hot and must be handled with care. Make sure to let the griddle cool down for minimum 30 minutes before removing the grease pan for cleaning.
- Do not close the lid when you are cooking on the Griddle.
- Do not over fill the grease tray and clean it after each use.

Optional Accessories

Installing the Smoker Box

NOTE

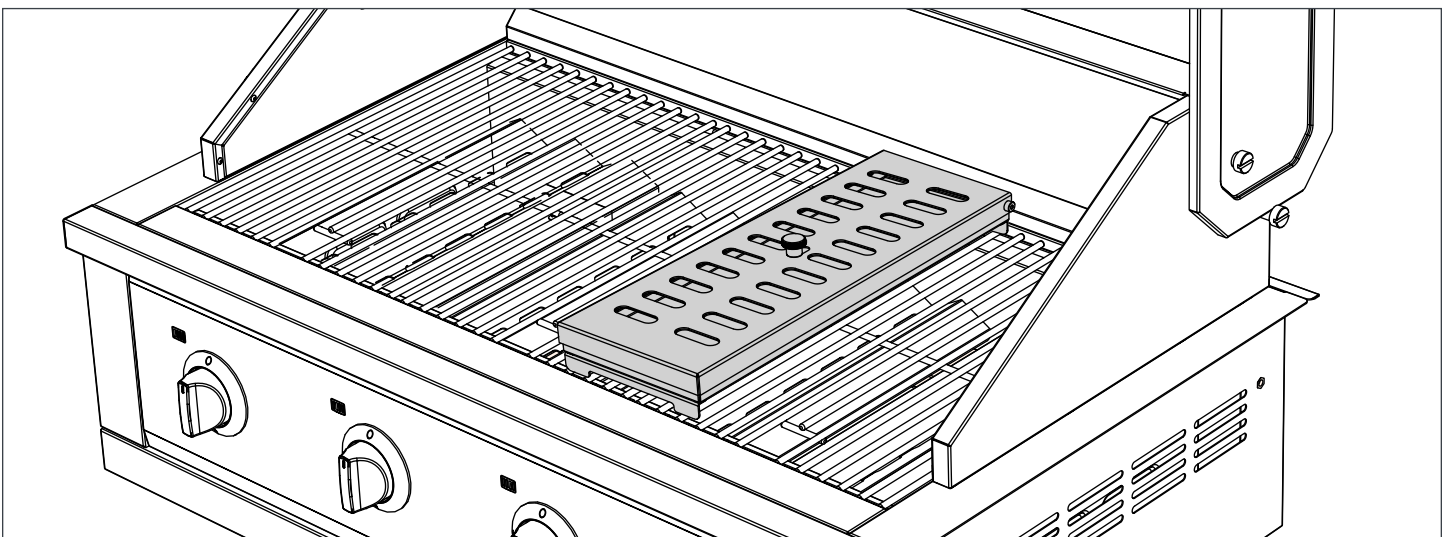
- Do not put more than 0.2 Kg (0.4 Lbs) of wood chips in the smoker box for smoking.
- Do not pour more than 1/2 litre of liquid for moisturing the meat.
- Do not place smoker box on top of the sear burner.
- For good smoke performance, soak the wood chips for not less than 30 minutes, drain excess liquid and fill the smoker tray completely.
- To improve smoke performance, keep the hood closed as much as possible while food is grilling.

⚠ WARNING

If not thoroughly soaked, the wood chips will flare up during grilling. To extinguish flame, turn off the valves, open the hood and let the fire stop.

WOOD TYPE	FLAVOR	SMOKE INTENSITY	GREAT FOR					
			BEEF	CHICKEN	PORK	SEAFOOD	BAKED	VEGETABLE
Apple	sweet smoke			•	•		•	•
Maple	Hearty smoke		•		•		•	•
Alder	Tart smoke		•	•	•	•	•	•
Pecan	Rich, sweet, versatile		•	•	•		•	•
Oak	Heavy smoke		•			•	•	
Hickory	Heavy smoke		•	•	•			•
Mesquite	Heavy smoke		•	•		•		
Grapevine	Strong smoke		•	•	•	•		

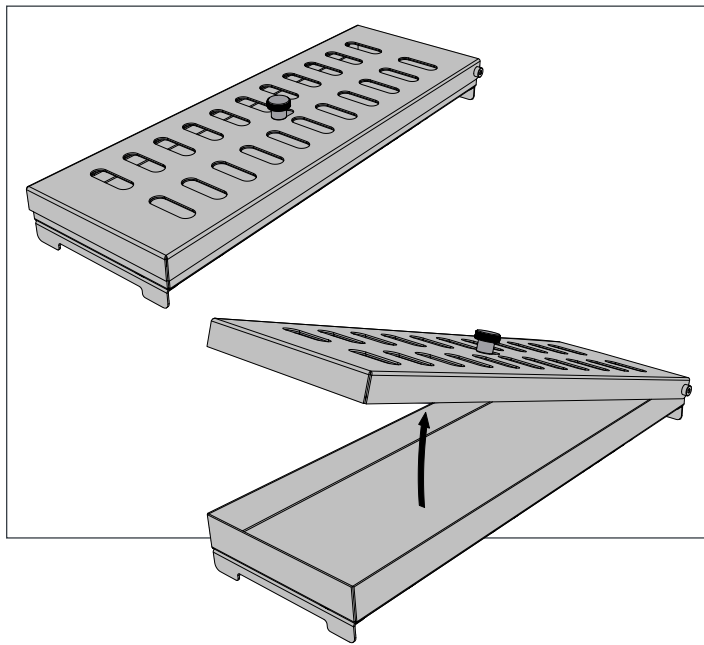
- 1 Place the smoker box on grill grates in desired location.



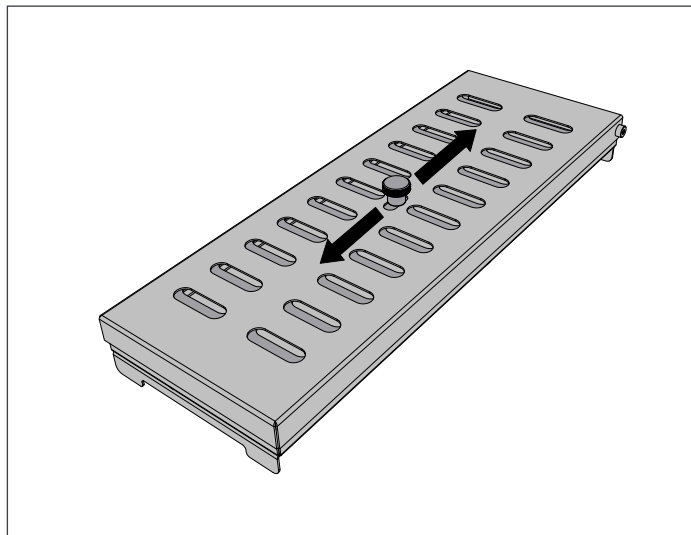
Optional Accessories

Installing the Smoker Box

i Open the smoker box to add wood chips or any beverage.



i Smoke vents can be adjusted by sliding the knob to control the smoke intensity.



Gas Connections

⚠ WARNING

- **Never connect a gas line directly to the grill. A pressure regulator must be installed on all gas equipment. All local codes require a pressure regulator and NewAge supplies the correct regulator with your grill. Removing or failing to install the pressure regulator can result in fire, and serious personal injury and will void the warranty. This grill is designed for non-combustible enclosures only.**
- **As indicated on the rating plate, this gas grill is designed to operate with gas supply pressure of 11" WC for Propane. This appliance is certified to be used with 20 Lbs Propane tank.**
- **If the gas supply pressure is lower than these requirements, the unit will be under-fired and will not reach the maximum temperatures. Ensure that the supply line size complies with local and/or national installation codes.**

⚠ CAUTION

1. **If you want to connect the appliance to fixed fuel piping system, and have any questions about the installation, contact "NEWAGE Product Inc", call Customer Support Team >1- 877-306-8930; or support@newageproducts.com**
2. **The warranty of the product may be voided if the installation deviates from the installation instructions provided in this manual.**

The grill is factory set to use Propane. It is critical that the gas you use matches that which the grill was set up for. You can verify that by checking the rating plate.

<p>CLASS NO / CATEGORIE # 2711 0494 NEWAGE PERFORMANCE 36" GRILL (PROPANE GAS)</p> <p><small>OUTDOOR COOKING APPLIANCE - FOR OUTDOOR USE ONLY - A TORCH BECAUSE DETACHABLE REGULATORS ARE NOT USED ON THIS TYPE OF APPLIANCE. ALWAYS USE THE CORRECT GAS SUPPLY PRESSURE TO AVOID FIRE OR EXPLOSION. ALWAYS USE THE CORRECT GAS SUPPLY PRESSURE TO AVOID FIRE OR EXPLOSION. ALWAYS USE THE CORRECT GAS SUPPLY PRESSURE TO AVOID FIRE OR EXPLOSION. ALWAYS USE THE CORRECT GAS SUPPLY PRESSURE TO AVOID FIRE OR EXPLOSION.</small></p> <p>ATTENTION: TOUJOURS RÉSISTEZ À LA CHALEUR. NE PAS TOUCHER LES PARTIES CHAUDES. NE PAS TOUCHER LES PARTIES CHAUDES. NE PAS TOUCHER LES PARTIES CHAUDES. NE PAS TOUCHER LES PARTIES CHAUDES.</p>	<p>WARNING: ALWAYS USE THE CORRECT GAS SUPPLY PRESSURE TO AVOID FIRE OR EXPLOSION. ALWAYS USE THE CORRECT GAS SUPPLY PRESSURE TO AVOID FIRE OR EXPLOSION. ALWAYS USE THE CORRECT GAS SUPPLY PRESSURE TO AVOID FIRE OR EXPLOSION. ALWAYS USE THE CORRECT GAS SUPPLY PRESSURE TO AVOID FIRE OR EXPLOSION.</p>	<p>CAUTION: THIS APPLIANCE IS DESIGNED AND SHIPPED TO OPERATE WITH PROPANE GAS. USE ONLY THE GAS SUPPLY REGULATOR SUPPLIED WITH THE APPLIANCE. THIS REGULATOR IS LISTED FOR AN OUTLET PRESSURE OF 11" WC FOR PROPANE GAS. ALWAYS USE THE CORRECT GAS SUPPLY PRESSURE TO AVOID FIRE OR EXPLOSION. ALWAYS USE THE CORRECT GAS SUPPLY PRESSURE TO AVOID FIRE OR EXPLOSION. ALWAYS USE THE CORRECT GAS SUPPLY PRESSURE TO AVOID FIRE OR EXPLOSION.</p>	<p>MODEL / MODELE NEWAGE PERFORMANCE 36" GRILL LP 66991</p> <p>PERFORMANCE 36" GRILL LP 66991</p> <p>EQUIPPED FOR USE WITH PROPANE</p>	<p>4 x 1/2" (200 BTU) MAIN TUBE BURNERS / BRÛLEURS À TUBE PRINCIPAL</p> <p>MINIMUM CLEARANCE FROM SIDE AND REAR OF UNIT TO COMBUSTIBLE CONSTRUCTION: 18" (457 mm) FROM GRILL AND 18" (457 mm) FROM BACK. ONLY FOR INSTALLATION IN A BUILT-IN ENCLOSURE CONSTRUCTED OF NON-COMBUSTIBLE MATERIALS OR METAL GRILL CABINETS. SEE MODEL.</p> <p>GRILL PULSE IGNITOR REQUIREMENTS: INPUT: AA BATTERY (Rechargeable and Non-Rechargeable)</p> <p>MFG DATE OF FABRICATION:</p>	<p>NEWAGE PRODUCTS INC. 1190 CALEDONIA ROAD, TORONTO, ONTARIO, CANADA M3A 2W5</p> <p>MADE IN CHINA / FABRIQUE EN CHINE</p> <p>Class BIA-2</p>
---	--	---	---	--	--

Rating Plate - Lists model numbers and gas type
 Water Column Requirements

Fuel	WC Min Under Full Load
PROPANE	11 in wc (LPG)

The rating plate is located in one or more of the following places:

- On the back of Grill

Ensure that the gas supplied meets with the minimum pressure requirements. Do not operate the grill on any gas other than that for which the grill has been set.

Both the regulator and the manifold orifices have been tuned for the type of gas specified on the rating plate.

All installation and all installation parts must conform to local codes with the National Electrical Code, ANSI Z223.1/ NFPA 70 latest edition and the National Fuel Gas Code, ANS Z223.1/NFPA 54 in the U.S. and CGA-B149.1/2 in Canada. Canadian installations must conform to CGA-B149.1/2 natural gas/propane installation code. (Canada)

Instructions for Installer (Licensed Gas Fitter)

Gas Line Purging

You should purge the gas line of air before attempting to light the grill.

- Make sure all grill controls are in the “OFF” position.
- Slowly turn on the main gas supply.
- Open the lid for the entire purging procedure.
- Push in the control knobs (do not turn) for the Sear Burner and the Main Burner on the furthest right for about 20 seconds to allow the air in the system to purge. These are furthest from the fuel source and will completely purge the lines. Release the control knobs. Wait at least 5 minutes after releasing the control before attempting to light the burners. (applicable with 40” Grill 2.0 only).

Gas Hook-Up Instructions

BUILT IN PROPANE GAS HOOK-UP: The piping up to the gas grill is the responsibility of the licensed gas fitter and piping should be located as shown in the built-in instructions. Do not use a hose to connect the unit except to connect the cylinder regulator to the piping system. It must be connected with rigid pipe, copper tube or an approved flexible metal connector which complies with ANSI Z21.24/ CSA 6.10 or ANSI Z21.75/CSA 6.27.

The installation must comply with CAN B149.1 Natural Gas and Propane installation code in Canada, or to the National Fuel Gas code, ANSI Z223.1 in the United States. The gas supply pipe must be sufficiently sized to supply the BTU/h specified on the rating plate, based on the length of the piping run. If installing a side burner, a separate line must be branched off to the side burner unit and enter the side burner opening at the specified location. If the enclosure is to house a propane cylinder, the tank portion of the enclosure must be ventilated according to local codes, and must not have communication with the cavity used to enclose the gas grill. A propane cylinder can not be stored below the gas grill.

BUILT IN CYLINDER ENCLOSURES: Built in cylinder enclosures which completely enclose the cylinder must have both of the following:

1. At least one unobstructed ventilation opening on the exposed exterior side of the enclosure located within 5 in (127mm) of the top of the enclosure. The opening must have a total free area of more than 20 in² (130 cm²) for a 20 lb (9.1 kg) cylinder.
2. At least one ventilation opening on the exposed, exterior side of the enclosure located 1 in (25.4 mm) or less from the floor level. The opening must have a total free area of more than 20 in² (130 cm²) for a 20 lb(9.1 kg) cylinder. The upper edge must be no more than 5 in (127 mm) above the floor level.

Every opening must be large enough to permit the entrance of a 1/8 in (3.2 mm) rod.

Instructions for Installer (Licensed Gas Fitter)

- The cylinder valve(s) must be readily accessible for hand operation. A door on the enclosure to gain access to the cylinder valves is acceptable, provided it is non-locking and can be opened without the use of tools.
- The enclosure for the Propane-gas cylinder must isolate the cylinder from the burner compartment to provide shielding from radiation, a flame barrier, and protection from foreign material, such as hot drippings.
- There must be a minimum clearance of 2 in(51 mm) between the floor of the Propane-gas enclosure and the ground.
- The enclosure must be designed so that the Propane-gas cylinder can be connected, disconnected and the connections inspected and tested outside the cylinder enclosure. Any connections that can be disturbed when installing the cylinder in the enclosure must be accessible for testing inside the enclosure.
- Only one 20 lbs tank in service should be used with the grill.

Propane Gas Installation

Propane Cylinder Specifications

If the gas grill is being supplied with propane from a portable cylinder, a regulator specified by the manufacturer must be used. The regulator must supply a pressure of 11 inches water column (0.39 PSI) to the gas grill and have a QCC1 type fitting. Cylinders to be used with this unit must be supplied with a QCC1 cylinder valve. A QCC1 cylinder has a positive seating connection, which will not allow gas flow until a positive seal has been achieved. It is also equipped with an excess flow device. In order to attain full flow to the grill, the valves must be in the off position when the cylinder valve is turned on.

A dented or rusty cylinder may be hazardous and should be checked by your propane supplier. Never use a cylinder with a damaged valve. Use only a propane supply cylinder constructed and marked in accordance with the specifications for Propane gas cylinders of the National Standard of Canada, CAN/CSA-b339, Cylinders, Spheres and Tubes for Transportation of Dangerous Goods; and Commission, as applicable or the Specifications for Propane gas Cylinders of the U.S. Department of Transportation (D.O.T.).

The propane cylinder must be provided with a cylinder connection device compatible with the connection for outdoor cooking appliances. The propane cylinder must be provided with a shut-off valve terminating in a propane cylinder valve type QCC1, and a safety relief device having direct communication with the vapor space of the cylinder. The cylinder supply system must be arranged for vapor withdrawal and the cylinder shall include a collar to protect the cylinder valve. The cylinder shall incorporate a listed OPD (over fill protection device). Do not store a spare Propane gas cylinder under or near this appliance. Never fill the cylinder beyond 80 percent full. If the preceding information is not followed exactly, a fire causing death or serious injury may occur.

WARNING

Do not change the regulator/hose assembly or use any other assembly than the one supplied with your NewAge grill.

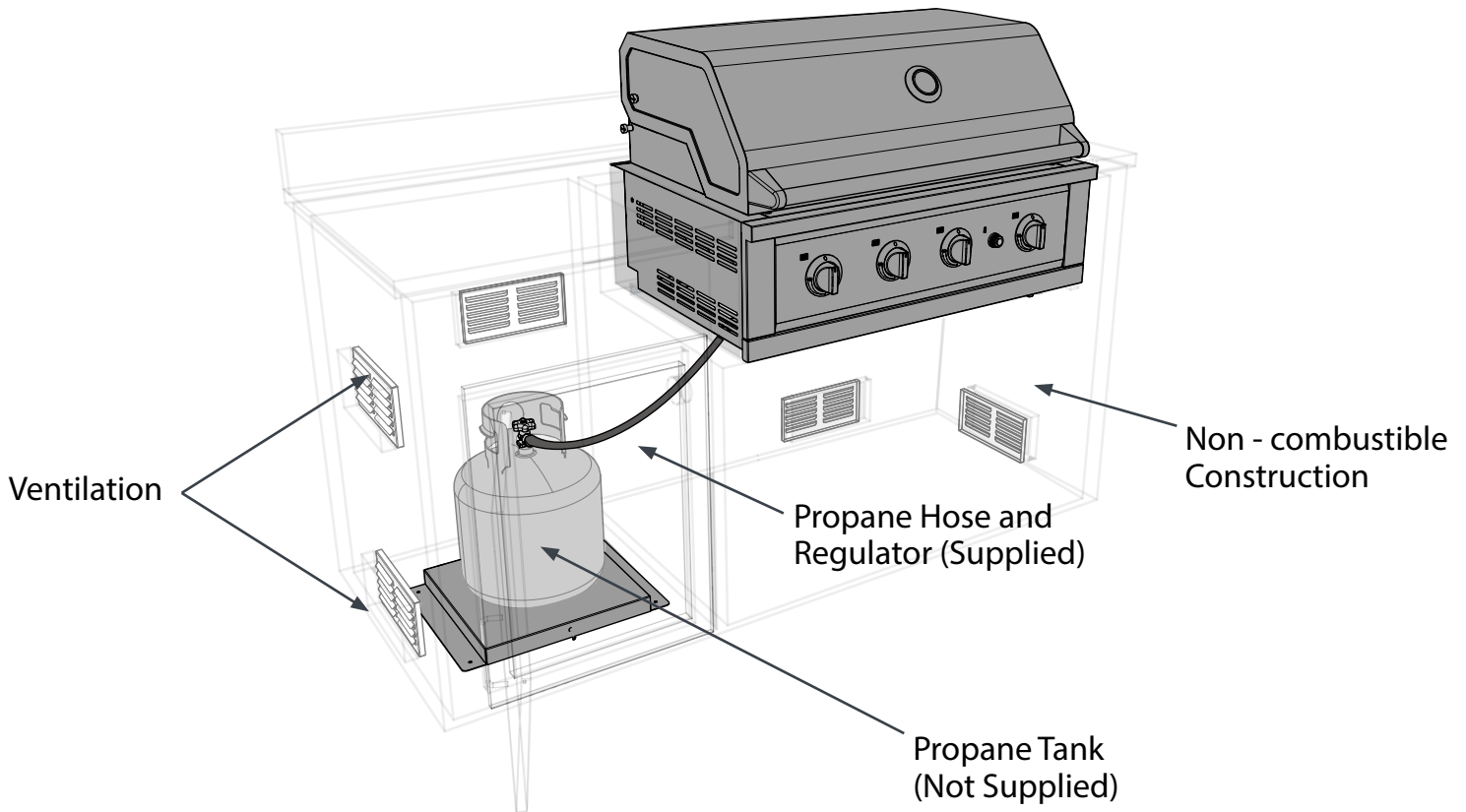
Do not attempt to use a 5LP-A equipped regulator/hose assembly with a standard 510 POL cylinder/valve assembly.

Do not store a spare Propane gas cylinder under or near this appliance.

Never fill the cylinder beyond 80 percent full.

If the information above is not followed exactly, a fire causing death or serious injury may occur.

Propane Gas Installation



Propane gas Cylinder Connections

Make sure the Propane gas cylinder valve is fully closed. It is possible for the valve to be open without releasing gas but, as soon as you start connecting the regulator, gas will leak from the connection.

Insert the regulator inlet into the cylinder valve and turn the black coupler nut clockwise until the coupler nut is hand tight. Do not over-tighten this connection. See Figure 1 & 2.

To disconnect the coupler nut, first make sure the main cylinder valve is turned off. Grasp the coupler nut and turn counter clockwise. The inlet will then disengage.

Always leak-test the connection after refilling or exchanging Propane gas cylinders. (See Leak Testing Instructions.)

Propane Gas Installation

Propane gas Cylinder Connections

Dust Cap - Place dust cap on cylinder valve outlet whenever the cylinder is not in use. Only install the type of dust cap on the cylinder valve outlet that is provided with the cylinder valve. Other types of caps or plugs may result in leakage of propane.)

Propane cylinder must include a collar to protect the cylinder valve

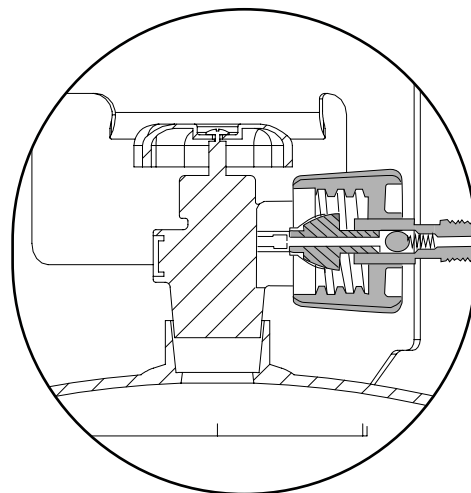
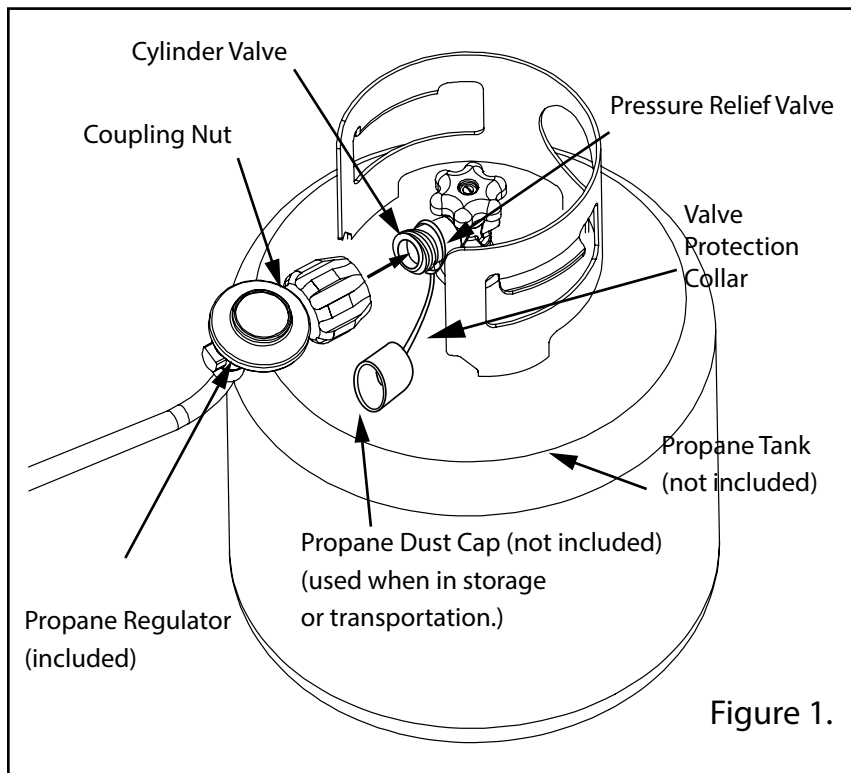


Figure 2.

Hand tighten to ensure proper seal for correct gas flow.

Propane Gas Installation

Propane gas Cylinder Requirements

The Propane gas cylinder must be constructed and marked in accordance with the specifications for Propane gas cylinders of the U.S. Department of Transportation (DOT) and designed for use with a Type 1 system only.

Cylinders of free standing grills must be secured using the provided cylinder retention system to avoid accidental movement.

When exchanging your cylinder for a refill, exchange only for a Type 1 -20lb cylinder with an over-fill protection device.

Never use a cylinder with a damaged valve.

A dented or rusty Propane gas cylinder may be hazardous and should be avoided. If in doubt, have it checked by your Propane gas supplier.

Always check for leaks after every Propane gas cylinder change. (See Leak Testing instructions)

Always shut off the Propane gas supply at the cylinder when the grill is not in use.

Cylinders must be stored outdoors in a well-ventilated area out of the reach of children. If your grill is stored indoors, the Propane gas cylinder must be detached from grill and stored outside.

Grills set up for Propane gas come equipped with an Propane gas hose/ regulator assembly for connection to a standard 20 lb. Propane gas cylinder. (Type 1). All fittings necessary to attach the assembly to the grill are included.

Never connect an unregulated gas line to the grill.

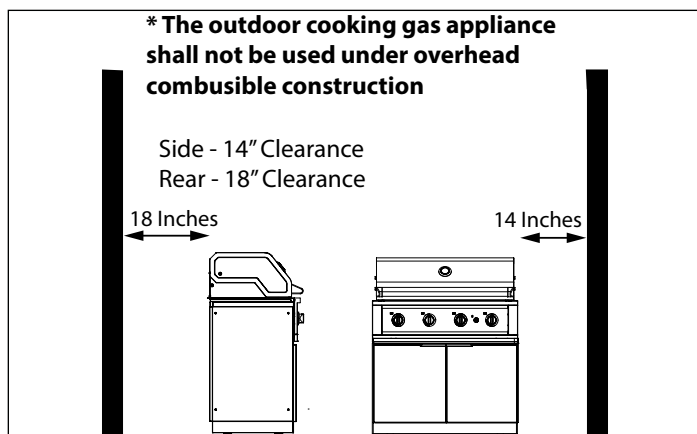
Propane Gas Installation

! WARNING

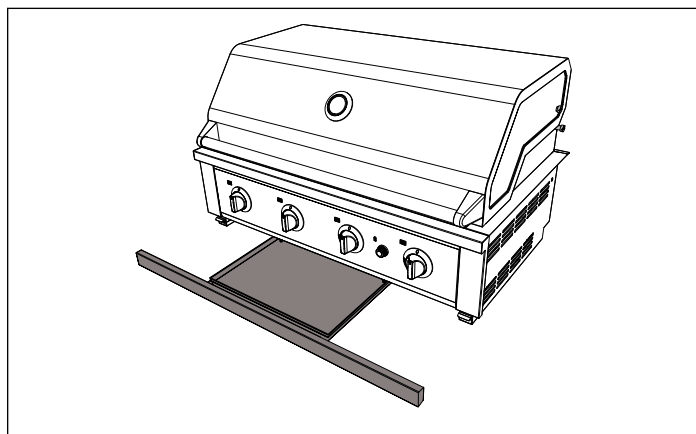
- **Never connect a gas line directly to the grill. A pressure regulator must be installed on all gas equipments. All local codes require it and NEWAGE supplies the correct regulator with your grill. Removing or failing to install the pressure regulator can result in fire and serious personal injury and will void the warranty.**
- **Do not change the regulator/hose assembly or use any other assembly than the one supplied with your NEWAGE grill.**
- **Do not store a spare Propane-gas cylinder under or near this appliance.**
- **Never fill the cylinder beyond 80 percent full.**



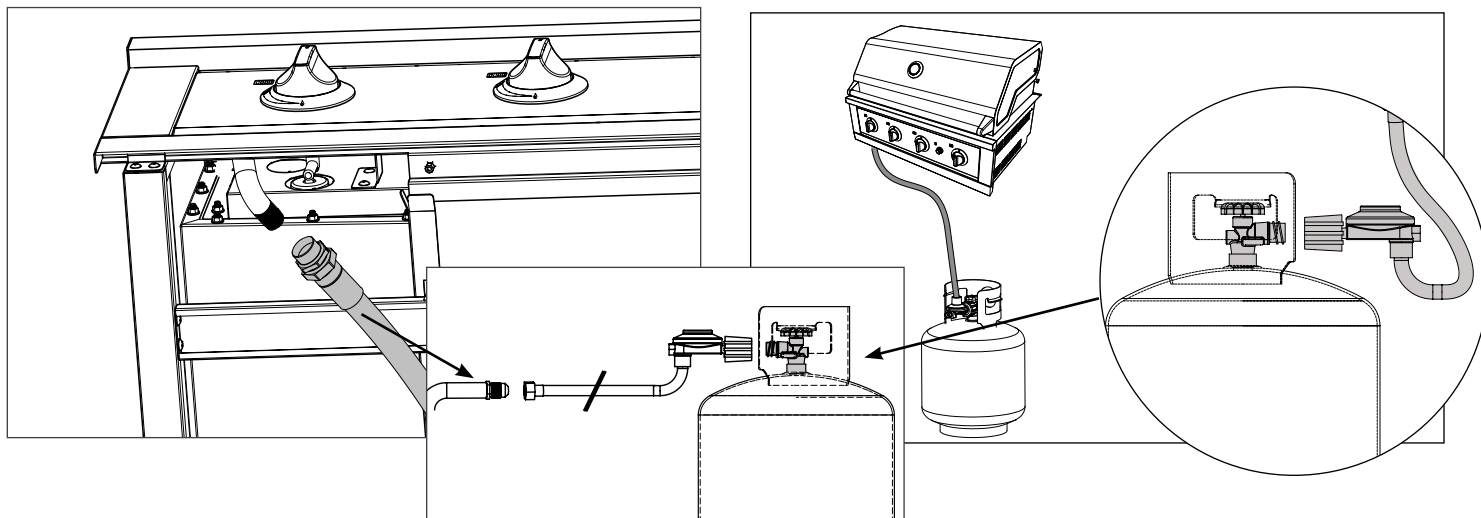
WARNING! The grill and cabinet must have a minimum clearance from combustible materials. Refer to below figure for dimensions.



1 Remove the grease tray.



2 Connect one end of QCC1 Type Regulator and hose to the inlet on manifold and other end with type 1 regulator hand wheel to the tank. Clockwise to tighten, counter clockwise to loosen.



Leak Testing Instructions

WARNING



This must be done before initial use, annually, and whenever any gas components are replaced or serviced. Do not smoke while performing this test, and remove all sources of ignition. See Leak Testing Diagram for areas to check. Never conduct a leak test using fire or flame. Sparks or open flames will result in a fire or explosion, damage to property, serious bodily injury, or death.

Testing a Gas Leak



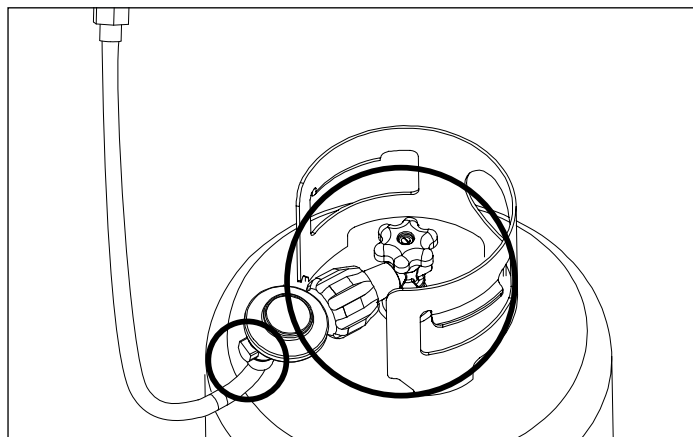
Ensure all control knobs are in the off position.

Turn on the fuel supply.

- For Propane gas turn the cylinder valve knob counter clockwise one full rotation.

Brush or spray a half-and-half solution of liquid soap and water onto all joints and connections of the regulator, hose, manifolds and valves.

Bubbles will indicate a gas leak. IMMEDIATELY turn off the gas supply.
See next page for "Fixing a Gas Leak"

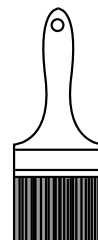


Propane Gas

Leak Testing Diagram



Spray
or
Brush



Leak Testing Instructions

Fixing a Gas Leak

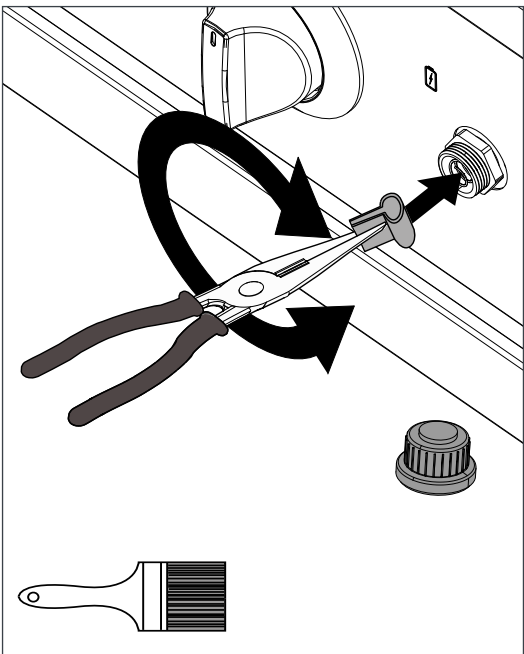
- Shut off the gas supply.
- Turn all grill controls to the "ON" position to purge the grill of any gas build-up, then turn the controls back "OFF".
- Wash off the soapy solution with cold water and dry.
- Tighten the loose joint, or replace the faulty part with manufacturer-recommended replacement parts.
- DO NOT attempt to repair the Propane gas cylinder valve if it is damaged. The only way to safely resolve a damaged cylinder is to REPLACE IT.
- Repeat the leak test to ensure that no leaks are present.
- If the leak cannot be stopped, immediately shut off the gas supply, disconnect it, and have the grill inspected by a licensed gas fitter or dealer. Do not use the grill until the leak has been corrected.

AA Battery Maintenance

⚠ WARNING

- You must read following instructions before using AA dry cell batteries for Grill. Failure to read and follow the below instructions may result in fire, personal injury and damage to property if used improperly.
- DO NOT insert an old/used AA dry cell battery into the battery pocket of the Pulse Igniter.
- Always store AA battery in its original brand packaging, or place them in a plastic container.
- Keep batteries in a cool location with low humidity and make sure they are aligned in the same polarity direction.
- In case of rechargeable AA dry cell battery, NEVER make wrong polarity connection while charging and discharging the battery.
- By any type of misuse, the harmful chemicals inside the battery may come out and could damage the battery pocket of the Pulse Ignitor.
- DO NOT place or insert flammable chemical or material inside the Pulse Igniter battery pocket for cleaning purpose. Any type of chemical or flammable material in the vicinity of the Grill may cause dangerous fire at the location Grill is placed.
- DO NOT direct contact the chemical in case it is spilled out of the battery pocket. It could be allergic to human body.

Cleaning the battery pocket of the Pulse Ignitor :



Cleaning the battery pocket is a must when the battery doesn't work properly or battery chemicals are observed spill out from the case. Always keep all the burner knobs and fuel source valves to OFF position before starting cleaning process of the battery pocket.

1. Read carefully the "Leak Testing Instructions" and the "Safe Operating Practices" sections with proper attention.
2. Make sure all control knobs are set to OFF position.
3. Rotate the Pulse Ignitor knob in anticlockwise direction and take out the AA dry cell battery.
4. Using a clean brush or clean cloth, remove the debris, decomposed black carbon on the spring and inner faces as shown.
5. Insert a new AA battery with correct polar positioning (Positive and Negative poles) of the battery as shown in "Assemble the Grill".
6. Enclose the AA battery pocket of the Pulse Ignitor using the knob and tighten it by rotating in clockwise direction.

Pre-Grill Checklist

Before FIRST use ensure that:

1. All packaging, and packing materials have been removed from the Grill and burners
2. You have a fuel supply connected.
3. You need AA battery to operate the pulse igniter.
4. A licensed gas fitter has performed a leak test on all the fittings that supply the fuel to the grill.
5. If your Grill does not light in 4-5 seconds you may need to purge the line. (refer to purging the line)
6. Before cooking on your gas grill for the first time a burn-off needs to be done. This is a one time only procedure and gets rid of any odors or foreign matter caused by the manufacturing process. To do this open the lid and ignite the burners, close the lid and operate on "MAX" for 5-10 minutes. You may then either set the controls to "OFF" or cook on your grill immediately by turning the control knobs to a lower setting.

WARNING

- **Never attempt to light a burner if you smell gas.**
- **Always keep the lid open when lighting your grill.**
- **Releasing fuel into a closed grill before lighting will increase the risk of explosion, property damage, personal injury or death.**
- **Keep your face and body as far from the grill as possible when lighting. Any time a burner doesn't light within 5 seconds, turn off the control, wait 5 minutes for gas to dissipate, and repeat the lighting procedure.**
- **NEVER LEAVE THE GRILL UNATTENDED WHILE COOKING.**

Before Each Use:

Always make sure that:

1. You do not smell gas before you light the grill. If you do smell gas, shut everything off and have a licensed gas fitter check for leaks.
2. The cooking area is free and clear of any combustibles, that might ignite.
3. If you are using a refillable propane cylinder, it is securely connected and leak tested. (See Leak testing)
4. You know where the main gas supply shut-off is located.
5. The burners are seated properly in the grill. The main burners must sit level and firmly on the burner mounting support frame.
6. Wind is not blowing too strongly or blowing on the back of grill.

Once a Season

- At the start of each new grilling season remove the grilling racks and check the burners, venturis, orifices and valves for obstructions.
- Spiders and insects often nest in these areas of the grill and can disrupt air flow, causing damage to the grill and personal injury.
- Also, check all hoses and fittings for damage, abrasion, wear and tear.

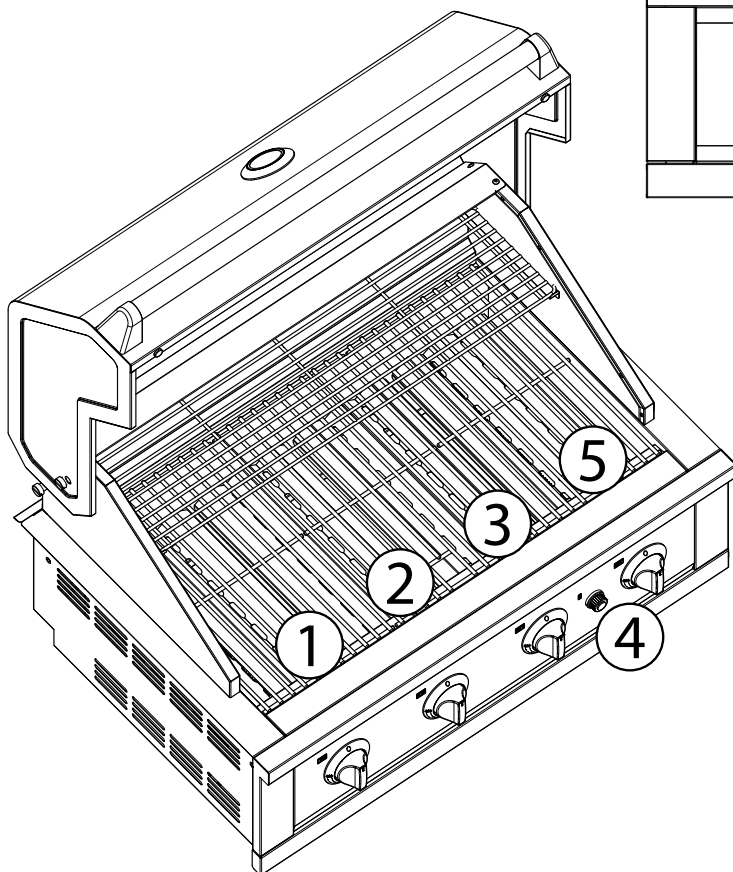
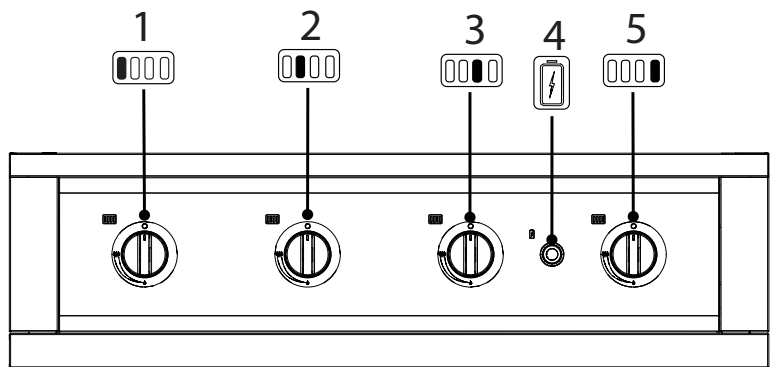
Lighting the Grill

⚠ WARNING

- Always keep the lid open when lighting the grill.
- Never leave children unsupervised around the NewAge grill. Do not store items of interest to children around or below the grill, or in the cabinet. Never allow children to crawl inside a cabinet or enclosure.

⚠ CAUTION

- Never light the grill if you smell gas.
- Keep face and body parts away from the grill when lighting. If burner fails to light after 5 seconds, turn off the burner, wait 5 minutes then repeat the lighting procedure.
- Do not leave the grill unattended.



1. Main Burner - Left
2. Main Burner - Middle 1
3. Main Burner-Middle 2
4. Electric Ignition Module - Pulse Ignitor
5. Main Burner- Right

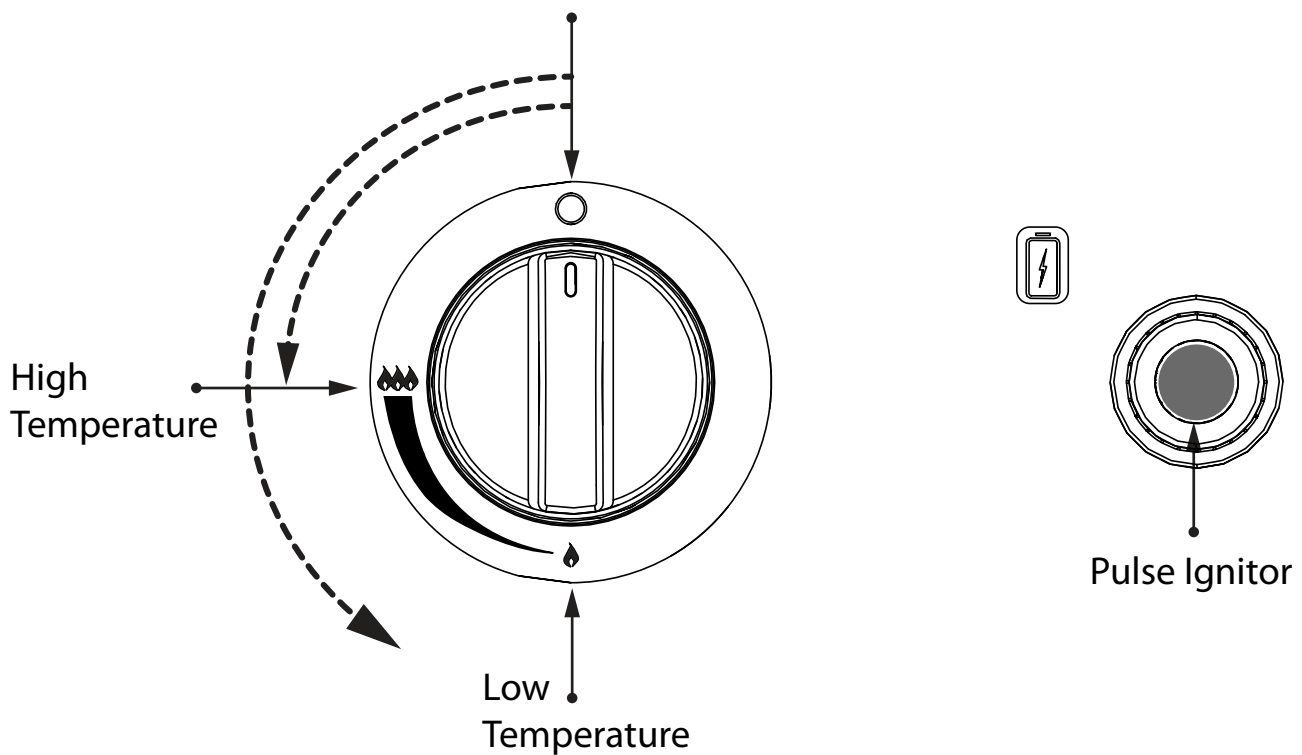
Lighting the Grill

! NOTES

- Any of the Burners can be lit first using the Pulse Igniter/ Match. It is upto the customer preference and requirement.
- If Burners does not light or flame is too low, you may have spider or other insect blockage inside or vicinity of the burner holes. See “Replace the Burners” section.
- The IR burner lighting process is similar to that of Main Burners.

Method 1 (Using Pulse Ignitor Button):

1. Read and complete PRE-GRILL checklist.
2. Open lid before lighting burner.
3. Make sure all control knobs are in the “OFF” position.
4. Turn the control knob for the Burner to the “HIGH” position.
5. Press the Pulse Ignitor button and hold for 3–5 seconds to light burner.
6. If ignition does NOT occur in 5 seconds, turn control knob to “OFF”, wait 5 minutes to allow gas to dissipate and repeat lighting procedure.
7. To turn off, turn each control knob clockwise until it locks in the “OFF” position. This does not turn off the gas flow from the cylinder.
8. Once the grill is lit, adjust the temperature using the Max -to- Min settings.

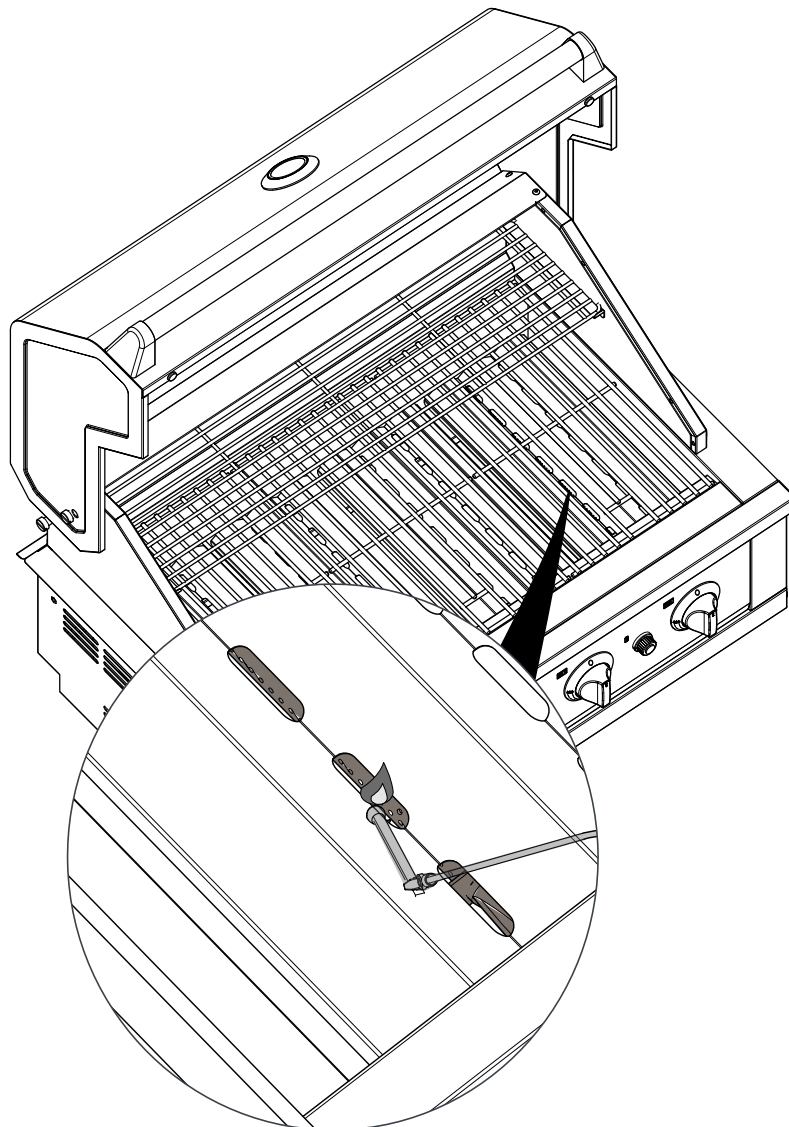


Lighting the Grill

Method 2 (Access Holes):

If the burners fail to light after a couple of attempts, it can be lit using the supplied match lighting stick. Follow the steps below for manual grill lighting.

1. Read and complete PRE-GRILL checklist.
2. Make sure all control knobs are set to OFF.
3. Always light grill with lid open.
4. Turn fuel supply ON.
5. Place a match in the alligator clip on the match holder and light the match.
6. Guide the match holder, with lit match, through the access holes on the Flame Tamer Panel and adjacent to the burner.
7. Push the corresponding control knob in and turn it to HIGH to ignite the left burner. Check that the flame is lit by looking through the cooking grates. You should see a flame.
8. Repeat step 5 to 7 for the remaining burners. If any of the burners fails to ignite during the lighting process, within five seconds, stop, turn the burner control knob to OFF and wait five minutes to allow the gas to clear before you try again.



Burner Position and Flame Adjustment

⚠ CAUTION

Proper placement of each burner is critical after cleaning they must be centered on the brass orifice, resting level without any rocking. Failure to meet these conditions may cause a very dangerous condition that can cause personal injury and property damage.

Gas control knobs should be in the 'OFF' position, and fuel line should be disconnected from gas valve manifold. To reduce the chance of FLASHBACK, the procedure below should be followed at least once a month or when your grill has not been used for an extended period of time.

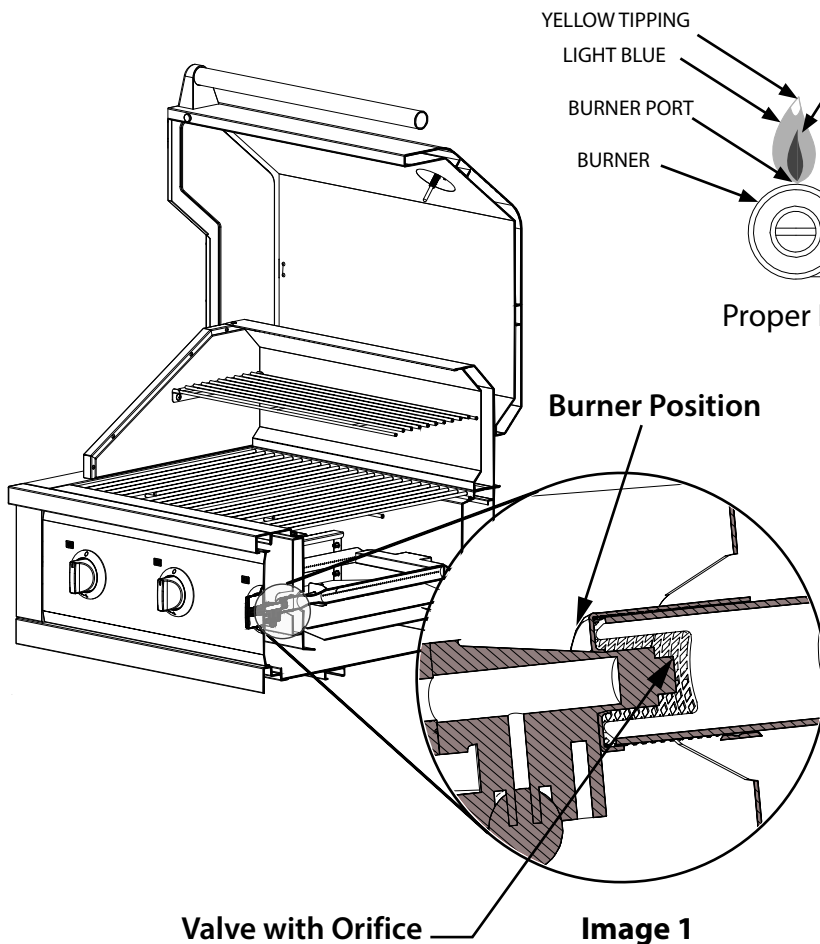


Image 2

1. Check burner installation by insuring that the valve orifice body is securely inserted into the end opening of the burner tube. (see Image 1)
2. To check for proper flame. Turn burner on high and compare to (image 2) for proper flame consistency. If you observe improper flame behavior then **refer to page 43** for corrective actions.

⚠ CAUTION

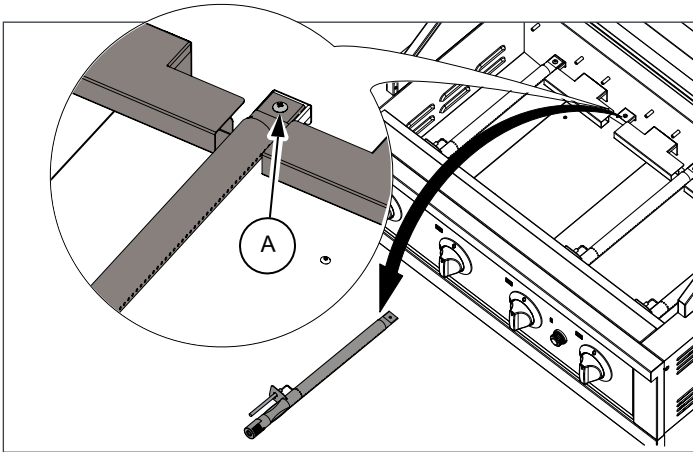
Turn off gas at source and disconnect the unit before servicing. To avoid the possibility of burns, maintenance should be done only when the grill is cool. A leak test must be performed annually and whenever any component of the gas train is replaced or gas smell is present.

Burner Position and Flame Adjustment

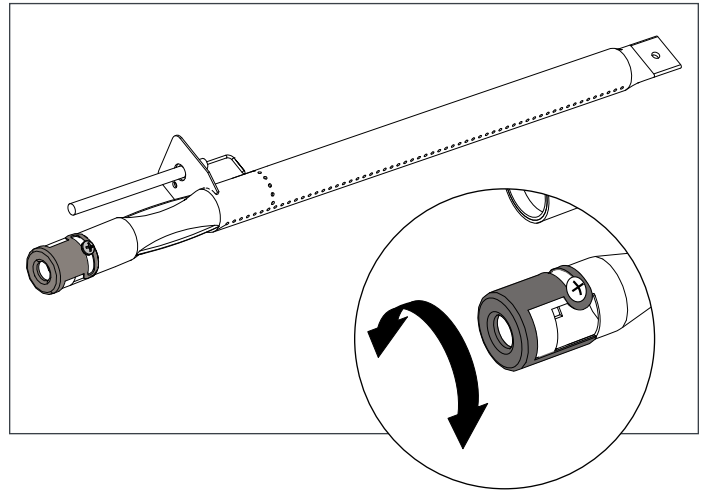
Adjusting the Airshutter valve

To adjust the flame properly the air shutter valve needs to be adjusted to achieve an optimum gas and oxygen mixture for burning. The burner has to be removed for adjusting the air shutter valve.

- 1** Loosen the bolts (A) and remove burner from the grill.

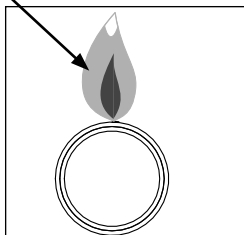


- 2** Loosen the screw on the air shutter valve and turn the air shutter valve to change the air opening.



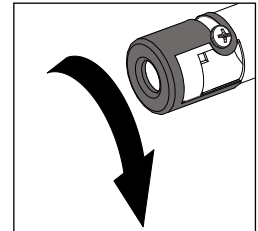
Improper Flame

LIGHT BLUE

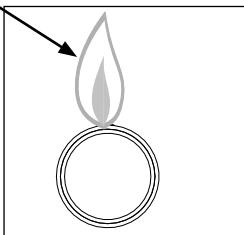


Too much Oxygen

If the flame is not touching the burner, more oxygen is supplied to the fuel than required. Turn the air shutter valve clockwise to reduce the opening.

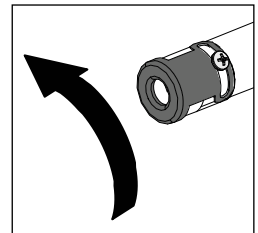


YELLOW

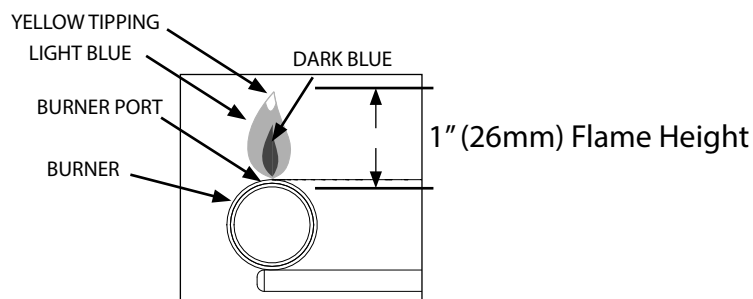


No Oxygen

If the flame color is yellow, less oxygen is supplied to the fuel than required. Turn the air shutter valve counter clockwise to increase the opening.



Proper Flame



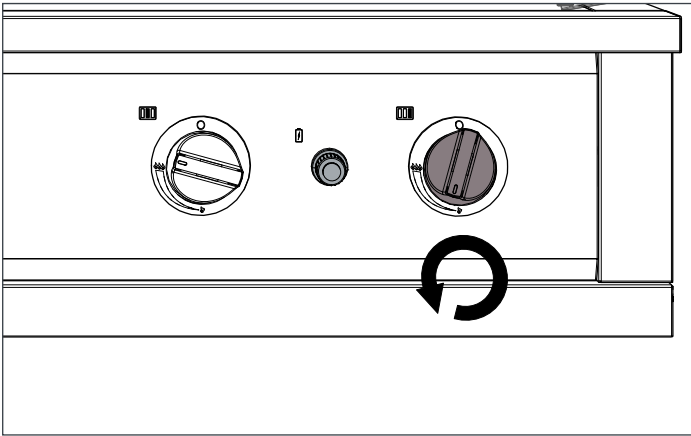
Burner Position and Flame Adjustment

Low Flame Adjustment

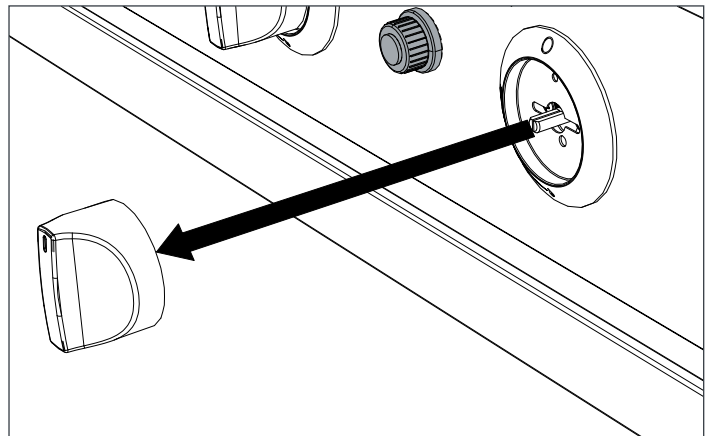
! CAUTION

1. Make sure that the Grill is not hot.
2. Remove the Remove the Cooking grate and Flame Tamer so you can see the flames while adjusting the burners.
3. Fluctuations in gas pressure, may affect burner performance at the "LOW" setting.
4. Quality of the gas; itself may affect burner performance at the "LOW" setting.

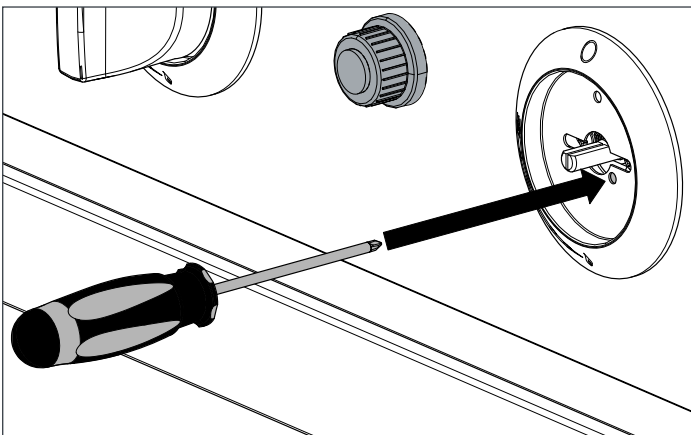
- 1** Turn the burner to "LOW" setting.



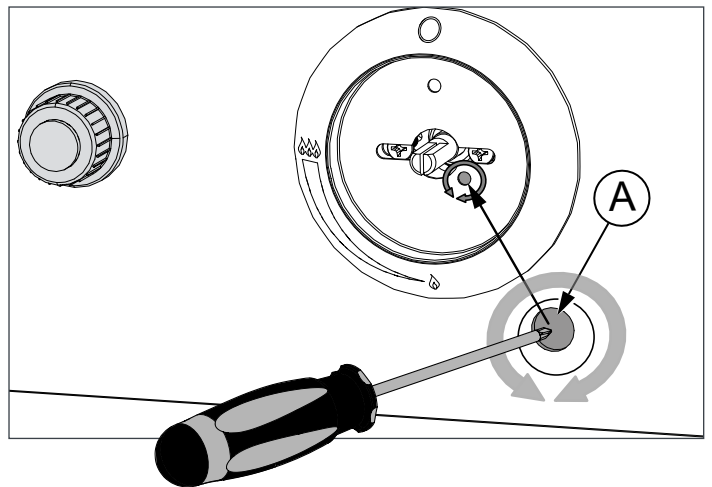
- 2** Pull off the control knob from the panel.



- 3** Insert a small flat screwdriver into the hole.



- 4** Counter-clockwise direction: HIGH Flame
Clockwise direction: LOW Flame



General Grill Operation and Cooking Procedures

WARNING

- **Never leave children unsupervised around the NewAge grill.**
- **Pre-heating for more than 15 minutes may overheat and cause damage to the grill.**
- **Never cover slots, holes, or passages in the grill fire box or cover an entire rack with material such as aluminum foil. Doing so blocks air flow through the oven and may cause carbon monoxide poisoning. Aluminum foil linings may trap heat causing a fire hazard.**
- **Do not leave the grill unattended.**

Preheating

It is necessary to preheat the grill for a short time before cooking certain foods, depending on the type of food and the cooking temperature. Pre-heating allows the Flame Tamers to properly heat up, providing more even and more consistent cooking results. Allow the grill to pre-heat on "HI" until desired temperature is reached. Use the hood thermometer to achieve required preheating temperature. There is no need to preheat for casseroles or other foods that require slow cooking.

Cooking Temperatures

HIGH Setting - Use this setting only for fast warm-up, for searing steaks and chops, and for burning food residue from the cooking grids after the cookout is over.

MEDIUM Setting - Use this setting for most grilling, roasting or baking, and for cooking hamburgers and vegetables.

LOW Setting - Use this setting for all smoke cooking, and when cooking very lean cuts such as fish.

These temperatures vary with the outside temperature and the amount of wind.

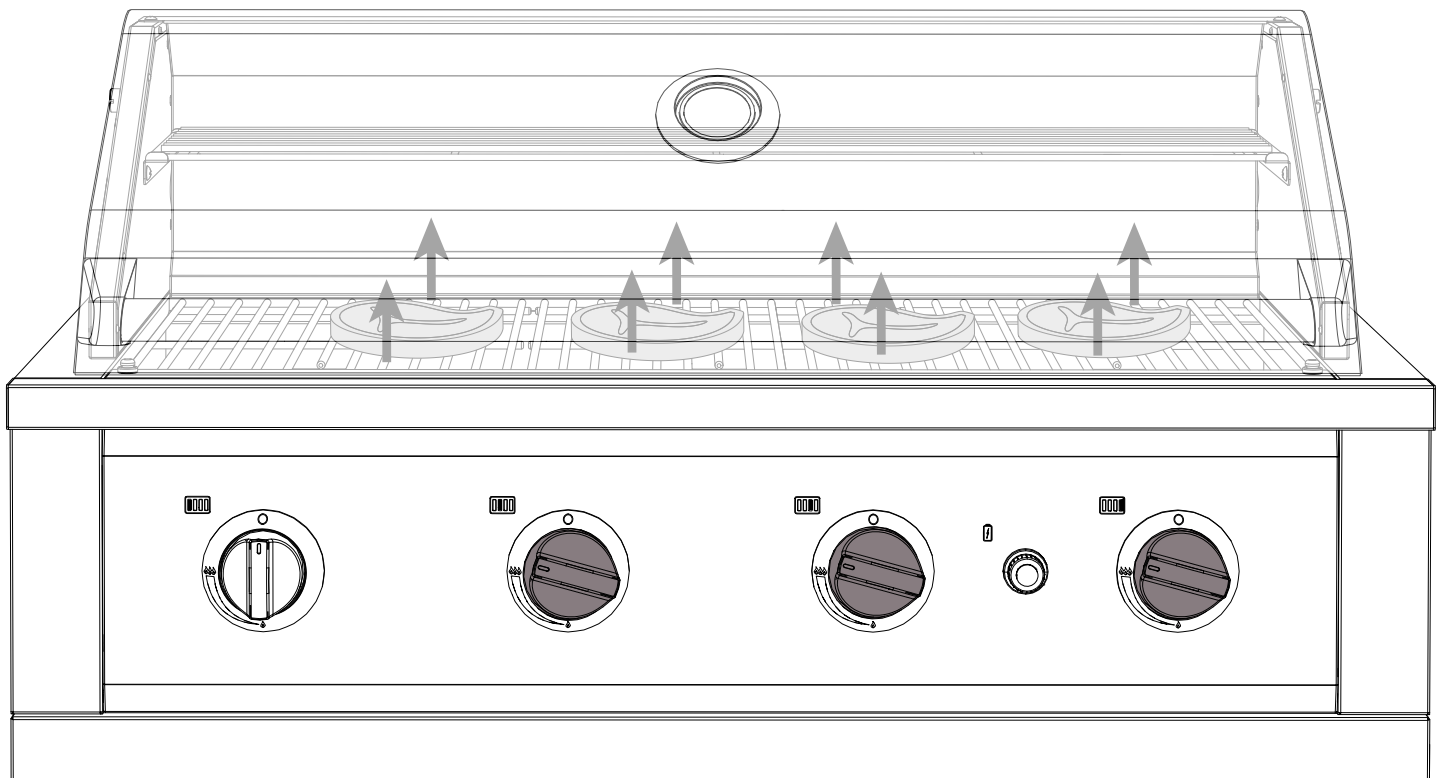
WARNING

Do not use the grill for cooking excessively fatty meats or products, which promote flare-ups. To control flare-ups, adjust the controls to lower the temperature. If your grill flare-up is out-of-control, turn off the burners. Don't use water to put out flare-ups. Spraying water on a flare-up can cause grease to explode.

General Grill Operation and Cooking Procedures

Direct Cooking

This method involves placing the food directly over the lighted burners. This is a common way to cook foods that take less than 20 minutes or to sear larger foods at the beginning of the cooking process. Turning too soon and too often is one of the most common grilling mistakes. Never spray water on the grill or into grease. Use a meat thermometer to achieve desired doneness and remove items one degree below how you would like to enjoy them, as the resting period before carving or consuming will raise the temperature.



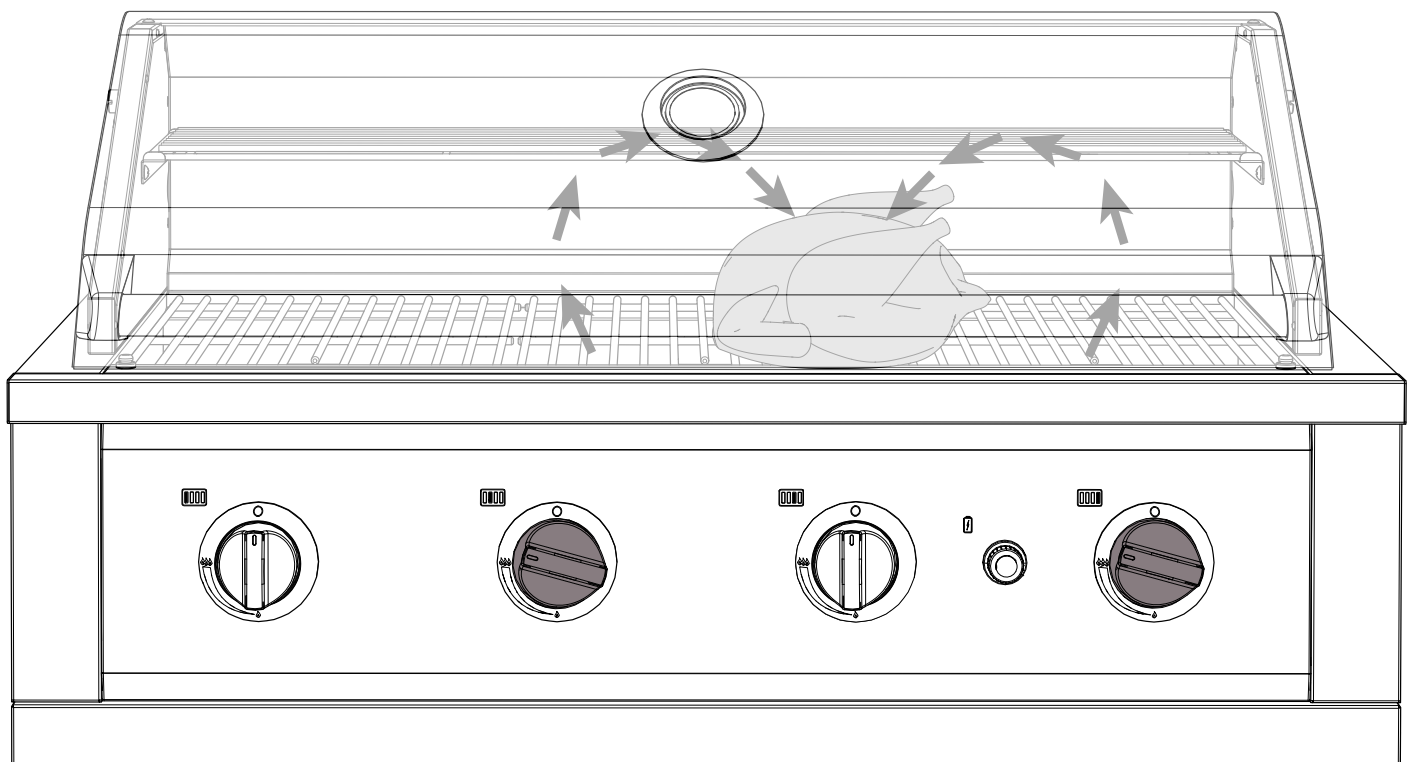
General Grill Operation and Cooking Procedures

Indirect Cooking

You can cook larger foods slowly to perfection on one side of the grill by using indirect heating technique. This can be achieved by leaving the burners directly below the food "OFF" and igniting the burners to the side of the food. The heat from the lighted burner circulates gently throughout the grill, cooking the food without any direct flame touching it. This method greatly reduces flare-ups when cooking extra fatty cuts, because there is no direct flame to ignite the fats and juices that drip down during cooking. Place a drip pan slightly smaller than the cut of meat on the cooking grids or Flame Tamer Panels under the meat being cooked. This will allow you to catch meat juices for making gravy. Flare-Ups: The fats and juices that drip from the meat cause flare-ups. Since flare-ups impart the distinctive taste and color for food cooked over an open flame, they should be expected and encouraged within reason. Nevertheless, uncontrolled flaring can result in a ruined meal. To control excessive flare-ups caused by too high a heat setting, turn the heat control knob to a lower setting.

⚠ CAUTION

- **If burners go out during operation, close gas supply at source, and turn all gas valves off. Open lid and wait five minutes before attempting to re-light (this allows accumulated gas fumes to clear).**
- **Should a grease fire occur, close gas supply at source, turn off all burners and leave lid closed until fire is out.**
- **Do not attempt to disconnect any gas fitting while your barbecue is in operation.**



Grill Maintenance and Cleaning

Regular Maintenance

Wash regularly with clean fresh water, mild detergent and a micro fiber cloth. After washing rinse in clean water and wipe the surface dry with your cloth remembering to go with the grain on brushed stainless steel. Generally you should wash your stainless steel every three months. Coastal areas or next to a chlorine pool more frequently every 2 weeks. Do not use abrasive cleaners or a scouring pad of any type as they will cause excessive wear and dull the finish. Stainless steel finishes in coastal environments may show tea staining if not washed regularly. For better protection use a thin coating of protectant on the surface.

List of common conditions that cause corrosion or discoloration of stainless steel and should be avoided:

1. Chloride containing cleansers – this includes bleach and any cleaners containing bleach
2. Muriatic acid (hydrochloric acid) – commonly used to clean up after tile/concrete installation
3. Concentrated soap residue – chemical additives will cause discoloration and some dried soaps actually look like rust
4. Water with high iron content – can leave a rusty residue, especially if allowed to drip continuously
5. Contact with iron materials – including steel wool, iron residue/dust from installation or cleaning of other steel products
6. Don't allow trapped moisture between the product and cover – rubber mats, metal cANSI or cleaning products trapped moisture - allow cabinets to completely dry before covering.
7. Salts – contain chlorides
8. Extreme Heat by Flame
9. Do not permit citrus or tomato juice to remain on stainless steel surfaces.
10. No abrasive cleaners, steel wool pads, or abrasive cloths as they will scratch the finish.

OXIDIZATION Removal

If you have oxidation there are a few steps to take to bring your stainless steel cabinets back to “as new” condition. Apply clean water with a cleaning sponge and rub gently in the direction of the grain. If the mark won't shift, it may be necessary to use a stainless steel cleaner, in which case apply the cleaner and rub gently. After cleaning it is important to rinse the stainless steel with clean fresh water and buff with a soft cloth. Remember to always rub with the grain, NEVER across as you will ruin the finish, and the stainless can lose its shine.

Grill Maintenance and Cleaning

Cleaning the cooking grids:

After cooking, turn control knobs to “OFF” and let grill cool before attempting to clean your cooking grates. Before first use and periodically it is suggested that you wash the cooking grids in a mild soap and warm water solution. You can use a washcloth or a vegetable brush to clean your cooking grates.

Remove the Burners:

1. Remove the Grill Racks and Flame Tamers.
2. Unscrew the fasteners securing the burners to the tray.
3. Lift the burner up.
4. Then pull to the rear of the grill so the burner head comes off the brass orifice at the front.

Cleaning the Burner:

- To maximize grill performance, clean the exterior of the burner with a abrasive scouring pad. Remove stubborn scale with a metal scraper.
- Clear any clogged ports with a straightened paper clip. Never use a wooden toothpick as it may break off and clog the port.
- Shake out any debris through the air shutter.
- Use a flashlight to inspect the burner inlet to ensure it is not blocked. If obstructions can be seen, clean it with a paper clip or a pipe cleaner.

CAUTION

- **Do not allow excess grease or liquids to accumulate in the drip tray as they may create a fire hazard.**
- **Never use the grill without the drip tray installed.**

Remove the Drip Trays:

The drip tray should be cleaned after each use. After the grill is completely cool, remove the drip tray by pulling it out until it comes free.

Clean it with hot soapy water or an oven-style cleaning product and re-install. When using an ovenstyle cleaning product be sure to carefully follow the manufacturer’s instructions. Many of these cleaners are toxic and can damage the stainless steel finish if not used properly. Test on a non visible area of stainless steel before using on full area.

Also, check the tray after rain. If you’ve left the grill uncovered, you may need to remove the drip tray to drain the water from the tray.

Grill Maintenance and Cleaning

Flame Tamer Panels:

The Flame Tamer Panels normally burn off any accumulated food drippings. But you may occasionally experience larger spills that don't burn off under normal use.

When this happens:

1. Let the grill cool completely. Remove the racks and then the Flame Tamer Panels by lifting the front edge and lifting them upward.
2. Flip the trays over and put them back in place over the burner.
3. Light the burners and set them to "MAX" for 5 - 10 minutes to burn the Flame Tamer Panels clean. Be sure the Panels have completely cooled before reinstalling them. Any remaining food items can be brushed off using a soft brush.

Stainless Steel:

1. After each use wipe down the exterior of the grill to remove grease, black soot and splatters.
2. Be sure to follow the cleaning instructions for keeping the grates and burners clean and ready for use.
3. Use a commercially available Stainless Steel cleaner to clean and polish the exterior surfaces.

Part of the appeal of the NewAge Grill is the fine grain finish. Always clean with the grain direction.

When removing stubborn stains:

- Do not use metallic abrasives and always rub in the direction of the grain.
- Some household cleaning products are not suitable for stainless steel; be sure to read the label before using on your NewAge Grill.
- Always use the mildest cleaning solution first, scrubbing in the direction of the grain. Specks of grease may gather in the grain of the stainless steel and bake on to the surface, giving the appearance of rust.

To remove these baked-on foods use a fine to medium grit non-metallic abrasive pad (Scotch Brite is good) in conjunction with a stainless steel cleaner. Always be sure to clean and polish with the direction of the grain.

Grill Maintenance and Cleaning

SPECIAL NOTE FOR LOCATIONS NEAR POOLS AND COASTAL AREAS:

The 304 stainless steel material used in the construction of a NewAge Grill is highly rust resistant, however, chlorine in the air from swimming pools or the salt from sea air may cause surface rust to appear and even create some pitting if left on the product.

Here are a few tips to avoid this:

Regularly wipe down the exterior surfaces with a damp cloth. Micro fiber cloths perform very well. Allow the surfaces to dry before installing the cover. Do not cover a damp grill.

In extreme environments apply a rust inhibitor which leaves a microscopic protective layer on the grill. Products that provide a layer of vapor corrosion inhibitors (VpCI™) protect the surface very well.

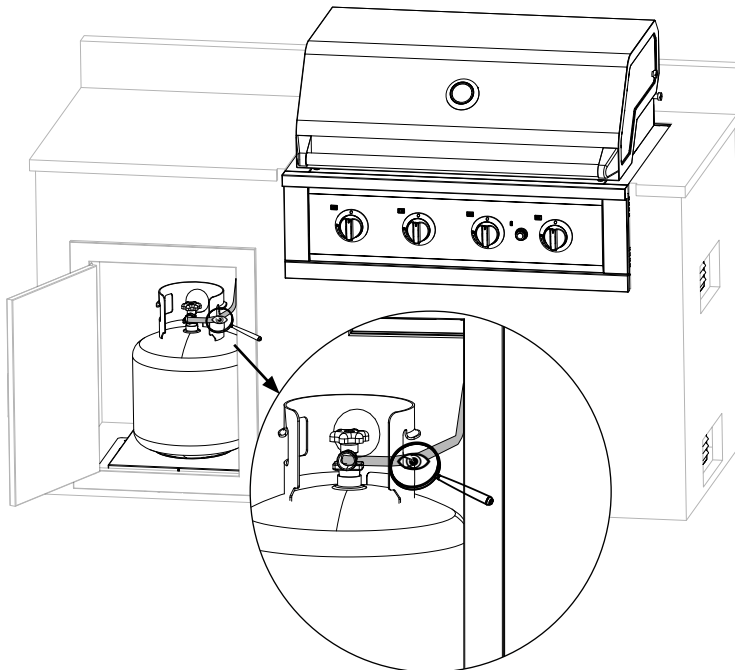
For seasonal storage use the product referred to above, ensure the grill is dry and then cover and secure the cover to minimize the amount of damp air getting to the surfaces.

THE NEWAGE WARRANTY DOES NOT COVER OCCASIONAL SURFACE RUST OR STAINING DUE TO ENVIRONMENTAL CONDITIONS.

ACCESSING AND INSPECTING THE CONDITION OF THE SUPPLY HOSE

STEP 1 OPEN DOOR

STEP 2 INSPECT THE CONDITION OF THE HOSE



HOSE SHOULD HAVE A SMOOTH SNAKED PATH TO PREVENT KINKS AND PREMATURE FAILURE. PLEASE EXAMINE HOSE AND FITTINGS FOR CRACKS, TEARS, OR WEAR MARKS FROM RUBBING ETC.

Troubleshooting

Please check and confirm the following points before calling Customer Service.

1. Is there fuel supplied to the grill?
2. Is the main shut-off valve open?
3. Are you using the correct type of fuel for the grill? (Propane gas grill or Natural Gas grill)
4. Is your propane cylinder empty? Have you recently refilled the propane cylinder? If so, is the connection tight?
5. Attempt to match light the burner (see **page 41**). Check to see that other burners on the unit operate. Clean electrode tip of any debris.

PROBLEM	POSSIBLE CAUSES
<p>1. Low heat/ Low flame when control knob turned to "High"</p>	<p>For propane - improper lighting procedure. Ensure lighting procedure is followed carefully. All gas grill valves must be in the off position when the tank valve is turned on. Turn tank on slowly to allow pressure to equalize. See lighting instructions.</p> <p>Low Fuel Check to see if propane tank is empty.</p>
<p>2. Uneven heat</p>	<p>Flame Tamer Panels installed incorrectly. Ensure Flame Tamer Panels are installed with the hole patterns running front to back. See assembly instructions. Pre-heat grill with main burners on high for 10 minutes.</p> <p>Excessive grease and ash build on Flame Tamer Panels and in drip pan. Clean Flame Tamer Panels and drip pan regularly. Do not line pan with aluminum foil. Refer to cleaning instructions.</p>
<p>3. Burners burn with yellow flame, accompanied by the smell of gas.</p>	<p>Possible spider web or other debris, or improper air shutter adjustment. Thoroughly clean burner by removing. See general maintenance instructions. Open air shutter slightly according to combustion air adjustment instructions. (This must be done by a licensed gas fitter.)</p>

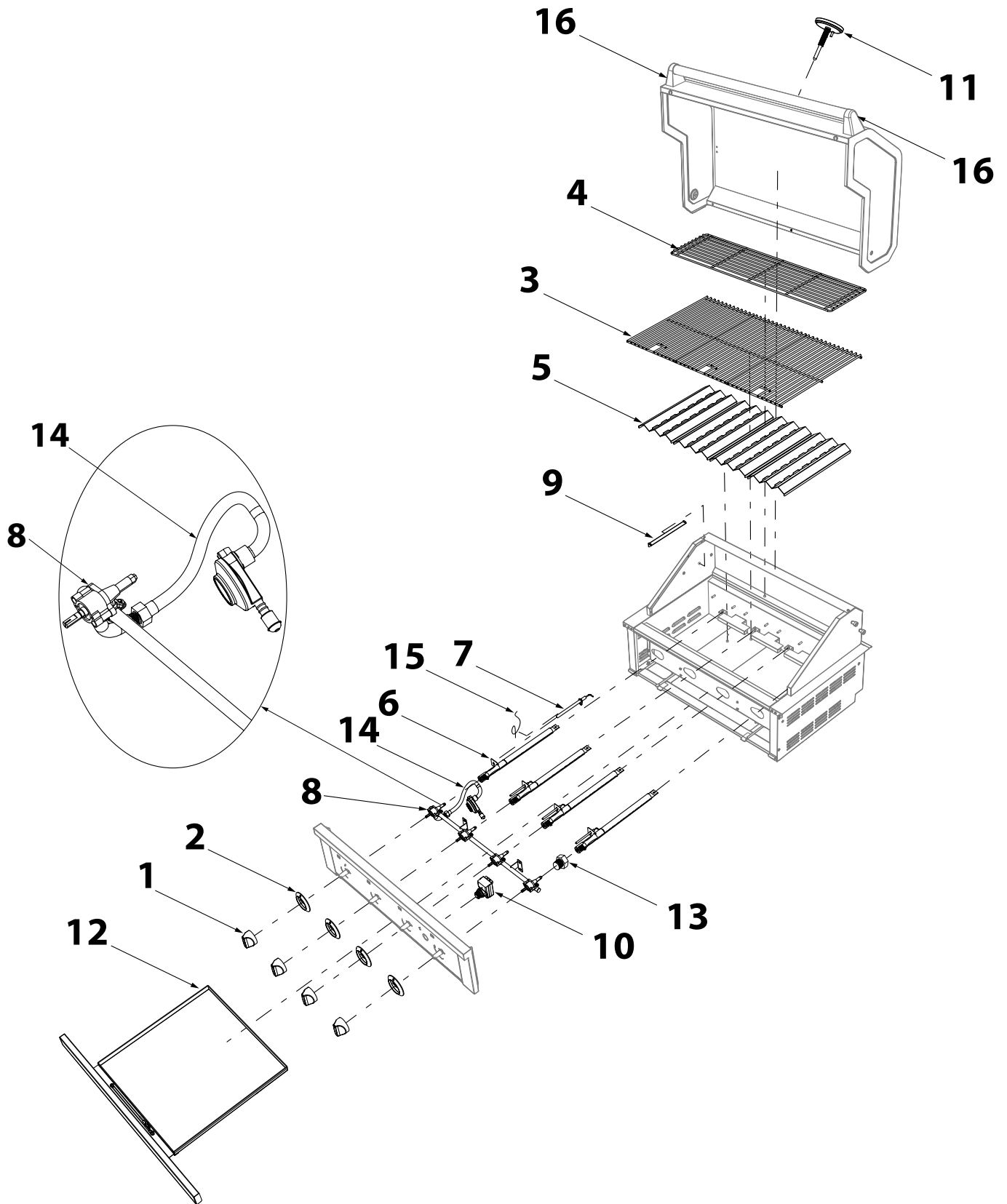
Troubleshooting

PROBLEM	POSSIBLE CAUSES
<p>4. Main burner will not light with the igniter, but will light with a match</p>	<p>Electrode is covered by cooking residue Clean wire or electrode using a cloth and rubbing alcohol.</p> <p>Electrode and burners are wet Wipe with dry cloth.</p> <p>Ignition electrode cracked or broken; sparking where cracked Replace the valve. This must be done by a licensed gas fitter.</p> <p>Flame thrower orifice is blocked Clean the orifice or replace the valve as required.</p> <p>Ignition electrode not in correct position. The distance from the tip of the electrode to the burner should be 4 mm.</p> <p>Faulty igniter. Replace the valve. This must be done by a licensed gas fitter.</p>
<p>5. Humming regulator.</p>	<p>This is not a defect. It is caused by internal vibrations in the regulator and does not affect the performance or safety of the gas grill. Humming regulators will not be replaced.</p>
<p>6. Burners will not cross light each other.</p>	<p>Grease, Food material, or Dirt build up. Clean the fire-bridge channels. Make sure the burner's side ports are clean.</p>
<p>7. Burner output on "high" setting is too low. (Rumbling noise and fluttering blue flame at burner surface.)</p>	<p>Lack of gas. Check gas level in propane cylinder.</p> <p>Supply hose is pinched. Reposition supply hose as necessary.</p> <p>Dirty or clogged orifice. Spider webs or other matter in venturi tube. Clean burner orifice . Clean out venturi tube. refer to page 8.</p> <p>Propane regulator in "low flow" state. All gas grill valves must be in the off position when the tank valve is turned on. Turn tank on slowly to allow pressure to equalize. See lighting instructions.</p>
<p>8. Infrared burner (if equipped) flashes back (during operation the burner abruptly makes a loud "whoosh" sound, followed by a continuous blow-torch type sound and grows dim.)</p>	<p>Ceramic tiles overloaded with grease drippings and build-up. Ports are clogged. Turn burner off and allow to cool for at least two minutes. Relight burner and burn on high for at least five minutes or until the ceramic tiles are evenly glowing red.</p> <p>Burner overheated due to inadequate ventilation (too much grill surface covered by griddle or pan.) Ensure that no more than 75% of the grill surface is covered by objects or accessories. Turn burner off and allow to cool for at least two minutes, then relight.</p> <p>Cracked ceramic tile. Allow burner to cool and inspect very closely for cracks. If any cracks are found, contact NewAge customer service for replacement option.</p> <p>Leaking gasket surrounding the ceramic tile, or a weld failure in the burner housing.</p>

Troubleshooting

PROBLEM	POSSIBLE CAUSES
<p>9. Electric Ignition (Pulse Igniter) not working properly</p>	<p>Gas supply is off Check gas supply. turn OFF and ON your gas supply and try lighting again.</p> <p>Ignition electrode not in correct position. The distance from the tip of the electrode to the burner should be 4 mm.</p> <p>Faulty Pulse Igniter If a spark occurs anywhere but the igniter tip, replace the igniter. Check to see if the grill will match-light. See “Manually Lighting the Main Grill” in the “Outdoor Grill Use” section.</p> <p>Spark is not produced Check if Pulse Igniter button is producing Snapping sound when pushed. Remove the Cooking Grate and Flame Tamer Panel to check for spark on the electrode as expected when Igniter button is pushed.</p> <p>Battery health Make sure that AA battery is not oxidized and contains enough charge. Check your igniter battery and replace if needed. Check to see if debris is blocking the electrodes. Is one of your burners turned on? Allow up to four seconds of gas flow to ignite.</p>
<p>10. Burner goes out when set to low</p>	<p>Lack of gas. Check gas level in propane cylinder. Check main shut-off valve is open.</p> <p>Supply hose is pinched. Reposition supply hose as necessary.</p> <p>Dirty or clogged orifice. Spider webs or other matter in venturi tube. Clean burner orifice . Clean out venturi tube.</p> <p>Regulator in “low flow” state (only if using propane) All gas grill valves must be in the off position when the tank valve is turned on. Turn tank valve on slowly to allow pressure to equalize.</p>

Exploded View and Spare Parts



Exploded View and Spare Parts

Item No.	Engg. Part No.	Description	QTY	SKU No. for spares offered	Spare Part QTY
1.	GLE-01.002.02.04A-01	Nickel Plated Zinc Burner Control Knob	4	65956	1
2.	GLE-01.002.05A-01	Knob Bezel	4	64939	1
3.	GLE-02.001.05A-01	Cooking grate	3	64941	1
4.	GLE-02.001.010A-01	Warming Rack	1	64944	1
5.	GLE-02.001.04A-01	Flame Tamer	4	64947	1
6.	GLE-01.001.06A-01 (Item 01, 02, 03, 04)	Main Burner Assembly	4	64948	1
		Item 01 - Main Burner	4		
		Item 02 - Air Shutter Mesh	4		
		Item 03 - Air Shutter	4		
		Item 04 - Electrode Bracket	4		
7.	GLE-01.001.06A-01 - (Item 05)	Tube Burner Electrode	4	64958	1
8.	GLE-01.001.05.03A-01	Tube Burner Valve	4	64950	1
9.	GLE-01.001.18A-01	Warming rack bracket	2	64957	1
10.	GLE-02.002.03A-01	Pulse Ignitor Module	1	64961	1
11.	GLE-01.004.07A-01	Thermometer	1	66931	1
12.	GLE-02.003A-01	Grease Tray assembly	1	64964	1
13.	GLE-01.009A-01- (Item 01)	Propane Gas Orifice	4	64954	1
14.	GLE-04.008A-01	Propane Gas Hose	1	64970	1
15.	GLE-01.001.06A-01 - (Item 06)	Tube Burner Electrode Wire	4	66948	1
16.	GL2-01.023.02A-01	1x Pair Handle Base LH & RH with 4x M6 screws	1 Set	67751	1

NewAge Customer Service



Please gather and have the following information available when contacting NewAge customer service:

- Model number
- Date of purchase
- Proof of purchase by the original owner
- Production code

The production code can be located on the back of the grill.

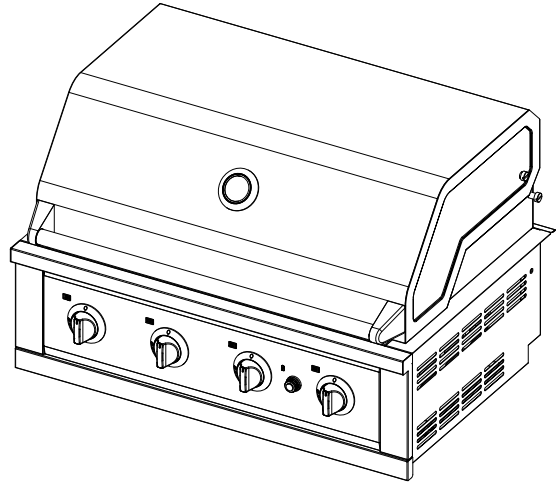
For fastest service, contact NewAge Products at 1-877-306-8930; or support@newageproducts.com.

NEWAGE PERFORMANCE GRIL DE 36 PO

(GAZ PROPANE)

N° D'UGS 66991 - NEWAGE PERFORMANCE GRIL DE 36 PO,
PROPANE

N° D'UGS 66280 - NEWAGE PERFORMANCE GRIL DE 36 PO,
PROPANE AVEC CHARIOT DE GRIL DE 36 PO



⚠ WARNING

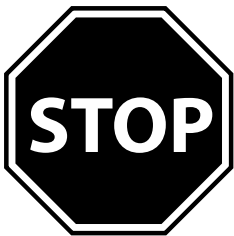
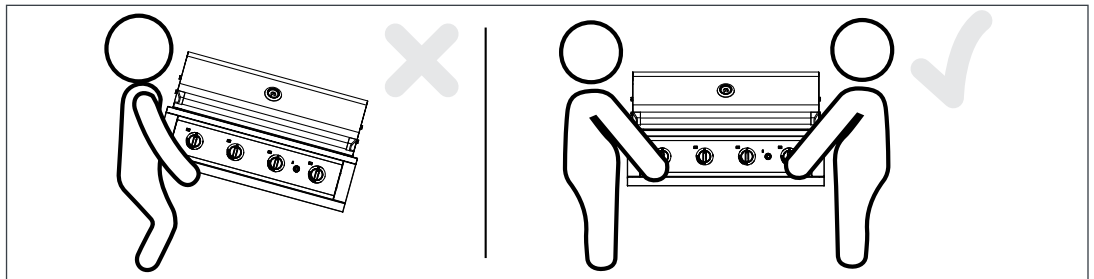
Si les informations contenues dans le mode d'emploi du gril ne sont pas suivies à la lettre, un incendie, une explosion ou une production de monoxyde de carbone peuvent se produire et causer des dommages matériels, des blessures ou des pertes de vie. Le monteur d'installation au gaz est responsable de l'installation correcte du gril.

GUIDE D'INSTALLATION ET MODE D'EMPLOI



Avertissement : Danger de charge excessive !

Pour éviter les blessures au dos, déplacez, assemblez et installez le gril avec l'aide de deux personnes ou plus. Ne laissez pas d'enfant sans surveillance près du gril ou des meubles.



ATTENTION : Votre gril est-il endommagé ?

Vous avez besoin d'assistance ou de pièces de rechange ? Pour obtenir un service plus rapide, contactez NewAge Products au 1 877 306-8930 ; ou écrivez à support@newageproducts.com. Ne retournez pas ce produit au détaillant.

CE MANUEL D'INSTRUCTIONS CONTIENT DES RENSEIGNEMENTS IMPORTANTS POUR L'ASSEMBLAGE ADÉQUAT ET L'USAGE SÉCURITAIRE DE L'APPAREIL.

LISEZ ET SUIVEZ TOUS LES AVERTISSEMENTS ET TOUTES LES INSTRUCTIONS AVANT D'ASSEMBLER ET D'UTILISER L'APPAREIL.

SUIVEZ TOUS LES AVERTISSEMENTS ET TOUTES LES INSTRUCTIONS LORS DE L'UTILISATION DE L'APPAREIL. SI CE PRODUIT N'EST PAS UTILISÉ DANS UN ENDROIT BIEN VENTILÉ, CELA POURRAIT ENTRAÎNER DES DOMMAGES MATÉRIELS, DES BLESSURES OU LA MORT.

For the online installation manual and videos regarding this product, please check out our support hub via:
<https://newageproducts.com/support-hub/>

DANGER

Lisez et suivez entièrement les instructions de ce manuel avant d'installer, d'entretenir ou d'utiliser le gril afin de réduire le risque de :

1. Incendie
2. Dommages corporels ou matériels
3. Mauvaise installation

CE PRODUIT EST CONÇU POUR UN USAGE EXTÉRIEUR UNIQUEMENT. N'installez et n'utilisez pas à l'intérieur, dans un garage, sur une galerie protégée par un moustiquaire, dans un abri de jardin ou dans tout autre espace clos. Cet appareil à gaz pour la cuisson en plein air n'est pas destiné à être installé dans ou sur des véhicules de loisirs, des bateaux ou dans une pièce non ventilée. Si ce produit n'est pas utilisé dans un endroit bien ventilé, cela pourrait entraîner des dommages matériels, des blessures ou la mort. Veillez à ce que la zone entourant le gril soit dégagée et exempte de matières combustibles, d'essence et d'autres vapeurs et liquides inflammables.

AVERTISSEMENT

1. Ne pas entreposer ni utiliser de l'essence ni d'autres vapeurs ou liquides inflammables dans le voisinage de l'appareil, ni de tout autre appareil.
2. Une bouteille de propane qui n'est pas raccordée en vue de son utilisation, ne doit pas être entreposée dans le voisinage de cet appareil ou de tout autre appareil.

L'installation doit être conforme aux codes locaux ou, en l'absence de codes locaux, au National Fuel Gas code, ANSI Z223.1/NFPA 54 ou au National Gas and Propane installation code, CSA B149.1, au Propane Storage and Handling Code, CSA B149.2, ou à la norme Standard for Recreational Vehicles, ANSI A119.2/NFPA et au CSA Z240 RV Series, Recreational Vehicle Code, selon le cas.

DANGER

1. L'appareil à gaz de cuisson extérieur et sa vanne de sectionnement individuelle doivent être déconnectés du système de tuyauterie d'alimentation en gaz lors de tout essai de pression de ce système à des pressions d'essai supérieures à 3,5 kPa (0,5 lb/po²).
2. L'appareil à gaz de cuisson extérieur doit être isolé du système de tuyauterie d'alimentation en gaz en fermant son robinet de sectionnement manuel individuel pendant tout essai de pression du système de tuyauterie d'alimentation en gaz à des pressions d'essai égales ou inférieures à 3,5 kPa (1/2 lb/po²).

DANGER

S'il y a une odeur de gaz :

- Coupez l'admission de gaz de l'appareil.
- Éteindre toute flamme nue.
- Ouvrir le couvercle.
- Si l'odeur persiste, éloignez-vous de l'appareil et appelez immédiatement le fournisseur de gaz ou le service d'incendie.

! AVERTISSEMENT

PROPOSITION 65 DE LA CALIFORNIE

1. Ce produit peut vous exposer à des produits chimiques, dont le monoxyde de carbone, qui est un sous-produit de combustion connu dans l'État de la Californie pour causer des cancers et des malformations congénitales ou d'autres atteintes à l'appareil reproducteur. Pour plus d'informations, consultez le site www.P65Warnings.ca.gov.
2. La loi californienne oblige les entreprises à avertir leurs clients d'une exposition potentielle à de telles substances. Pour réduire au minimum l'exposition aux substances, utilisez toujours cet appareil conformément aux instructions d'utilisation et d'entretien figurant dans ce manuel. Veillez à assurer une ventilation adéquate lorsque vous cuisinez.
3. La proposition 65 de la Californie mentionne la « silice cristalline », utilisée dans l'un des composants du brûleur à infrarouge, comme un agent connu en Californie pour provoquer le cancer.

! AVERTISSEMENT

ÉTAT DU MASSACHUSETTS

1. Le Massachusetts exige que toute installation au gaz soit installée par un plombier ou un monteur d'installation au gaz détenant le permis approprié du Massachusetts.
2. Toutes les installations au gaz naturel ou au propane installées de façon permanente nécessitent l'installation d'une valve à gaz manuelle de type poignée en « T » dans la conduite d'alimentation en gaz de cet appareil.

! AVERTISSEMENT

1. Respectez toujours les dégagements requis par rapport aux constructions combustibles, comme indiqué. Le gril est conçu pour être utilisé à l'extérieur uniquement. Ne jamais utiliser dans un garage, un bâtiment, une remise, un passage couvert ou tout autre endroit fermé. Ce gril ne doit pas être utilisé sous une construction combustible suspendue non protégée.
2. Les grils à gaz ne sont pas certifiés pour les véhicules de loisirs, les remorques portables, les bateaux ou toute autre installation mobile, et ils ne doivent pas y être installés.
3. Ne réparez ou ne remplacez aucune pièce du gril, sauf si cela est spécifiquement recommandé dans ce manuel.
4. Toutes les conduites de gaz doivent être munies d'un dispositif d'arrêt facile et rapide d'accès. Assurez-vous que le propriétaire sait où se trouve le dispositif d'arrêt. Si vous sentez une odeur de gaz, vérifiez immédiatement s'il y a des fuites de gaz. Procédez à la vérification uniquement avec une solution d'eau et de savon. Ne vérifiez jamais les fuites de gaz avec une flamme nue.
(Consultez l'INDEX : « Test de fuite » pour plus de détails.)

REMARQUES IMPORTANTES

Ce barbecue à gaz est certifié selon les normes nationales canadiennes et américaines, ANSI Z21.58-2018 et CSA 1.16-2018 respectivement pour les grils à gaz extérieurs, et il doit être installé conformément aux codes locaux. En l'absence de codes locaux, procédez à l'installation selon les codes en vigueur suivants : CAN B149.2 Natural Fuel Gas Code et Propane Installation code, CSA B149.1 Code d'installation du propane au Canada ou National Fuel Gas Code, ANSI Z223.1/NFPA 54 National Fuel Gas Code, code sur le stockage et la manipulation du propane et du gaz naturel, CSA B149.2.

MISE EN GARDE

1. Si vous souhaitez connecter l'appareil à un système de tuyauterie de carburant fixe et avez des questions sur l'installation, contactez "NEWAGE Product Inc", appelez l'équipe d'assistance clientèle > 1-877-306-8930 ; ou support@newageproducts.com
2. La garantie du produit peut être annulée si l'installation s'écarte des instructions d'installation fournies dans ce manuel.

Index

Pratiques d'exploitation sécuritaires	7
Pièces fournies	12
Outils requis	13
Inspection du produit	13
Spécifications du produit	14
l'installation d'un gril sur armoire et chariot de gril NewAge	15
l'installation d'un gril sur armoire et chariot de gril NewAge	16
Installation d'un gril sur un meuble sur mesure	18
Assemblage du gril	24
Assemblage du gril	25
Accessoires optionnels	26
Raccordements au gaz	29
Instructions pour les tests de fuite	37
Entretien des piles AA	39
Liste de contrôle précédent la cuisson	40
Allumer le gril	41
Fonctionnement général du grill et procédures de cuisson	47
Entretien et nettoyage du gril	50
Dépannage	54
Vue éclatée et pièces de rechange	57
Service à la clientèle de NewAge	59

NEWAGE PRODUCTS INC. GARANTIE DU FABRICANT DE GRIL DE PERFORMANCE

UNE PREUVE D'ACHAT EST REQUISE POUR OBTENIR UN SERVICE SOUS GARANTIE.

Veillez avoir les renseignements suivants lorsque vous appelez notre équipe du service à la clientèle :

- Le nom, l'adresse et le numéro de téléphone
- Le nom du produit / numéro d'UGS
- Une description claire et détaillée du problème
- Une preuve d'achat, y compris un numéro de commande

Enregistrez votre achat de produits NewAge en ligne pour obtenir une assistance à la clientèle plus rapide et un accès à des avantages exclusifs

Visitez www.newageproducts.com/register/

Réclamation sous garantie

Pour un service sous garantie, veuillez contacter NewAge Products au **1 877 3068930** ; ou écrivez à support@newageproducts.com.

Veillez consulter tous les détails de la garantie ci-dessous, avant de contacter NewAge Products pour une réclamation.

Balayez le code à barres 2D à droite pour accéder à la page d'assistance ou visitez le www.newageproducts.com/contact-us/



Balayez ce code à barres 2D avec la caméra de votre téléphone mobile pour visiter le Centre d'assistance de NewAge Products www.newageproducts.com/support-hub/

GARANTIE LIMITÉE

NewAge est fier d'offrir une garantie limitée de 10 ans à compter de la date d'achat. Ceci est soumis aux limitations et clauses de non-responsabilité énoncées ci-dessous et à d'autres documentations de produits.

Durée de la garantie	Articles couverts par la garantie	Coût pour NewAge	Coût pour le client
10 ans	Couvercle de gril en acier inoxydable / boîtier de brûleur / supports intérieurs	Matériaux	Expédition
5 ans	Fourchettes et brochettes de rôtisserie, rouleaux de rôtisserie, grilles de gril, bacs à graisse, brûleur de rôtisserie en céramique, brûleur de saisie en céramique, brûleur en forme de H et brûleurs latéraux	Matériaux	Expédition
2 ans	Toutes les autres pièces et accessoires	Matériaux	Expédition

CE QUI EST COUVERT

Pendant la durée de la garantie à compter de la date d'achat, lorsque ce produit est installé, utilisé et entretenu conformément aux instructions fournies, NewAge Products Inc. remplacera les pièces ou le produit défectueux, si le bris provient d'un défaut de matériau ou de fabrication.

CE QUI N'EST PAS COUVERT

1. Les appels de service pour corriger l'installation de tout produit NewAge ou pour vous montrer comment l'utiliser ou l'installer.
2. Les dommages résultant des produits causés par un accident, une mauvaise utilisation, un abus, un incendie, une inondation, une installation inadéquate, un cas fortuit, une négligence, une modification ou une mauvaise manipulation.
3. Les produits endommagés en raison d'une charge supérieure au poids maximum précisé dans les instructions fournies avec le produit.
4. Les réparations ou le remplacement lorsque votre produit est utilisé pour un usage autre que résidentiel normal, comme dans un milieu commercial, ou manipulé d'une manière incohérente avec les instructions d'installation comprises avec le produit.
5. Des dommages cosmétiques qui se produisent après l'achat du produit par le client, y compris les éraflures, les entailles, la corrosion ou les taches sur le matériau qui n'affecte pas la capacité fonctionnelle ou structurelle du produit.
6. Les surfaces endommagées en raison d'un usage inadéquat de produits chimiques et de détergents.
7. La décoloration due à la chaleur, par exemple à côté d'un gril, est une caractéristique de l'acier inoxydable.
8. La rouille de surface résultant des pluies acides ou de produits chimiques dans l'environnement
9. Pièces de rechange pour les produits NewAge à l'extérieur du Canada et des États-Unis.
10. Une perte en raison d'un vol.
11. Des dommages résultant d'une utilisation contraindiquée du produit et non conforme au manuel d'instructions.
12. Tout coût de main-d'œuvre pendant la période de garantie.

L'acier inoxydable 304 utilisé dans la construction du gril de cuisine extérieurs NewAge est très résistant à la rouille. Cependant, le chlore présent dans l'air émanant des piscines ou le sel de l'air marin peuvent provoquer l'apparition de rouille en surface et même créer une certaine corrosion par piqûres s'ils restent sur le produit. Nous vous suggérons de nettoyer toutes les surfaces en acier inoxydable au moins toutes les deux semaines afin de maintenir vos meubles en bon état. La réaction chimique du sel est facile à empêcher, mais elle est plus difficile lorsqu'il reste à la surface.

EXCLUSION DE GARANTIES IMPLICITES

DANS LA MESURE PERMISE, LES GARANTIES IMPLICITES, Y COMPRIS LES GARANTIES APPLICABLES DE QUALITÉ MARCHANDE OU DE CONFORMITÉ À UN USAGE PARTICULIER, SONT EXCLUES DANS LA LIMITE OÙ LA LOI LE PERMET. TOUTE GARANTIE IMPLICITE QUI POURRAIT ÊTRE IMPOSÉE PAR LA LOI DOIT SE LIMITER À UN AN, OU À LA PÉRIODE LA PLUS COURTE PERMISE PAR LA LOI. CETTE GARANTIE SE LIMITE À L'ACHETEUR D'ORIGINE. Certains États ainsi que certaines provinces ne permettent pas les limitations sur la durée d'une garantie implicite de qualité marchande ou de conformité, il est donc possible que les limitations ci-dessus ne s'appliquent pas à vous. Cette garantie vous donne des droits légaux particuliers et vous pourriez également disposer d'autres droits variant selon l'État ou la province.

LIMITATION DES RECOURS ; EXCLUSION DES DOMMAGES ACCESSOIRES ET INDIRECTS

EN VERTU DE CETTE GARANTIE LIMITÉE, VOTRE SEUL ET UNIQUE RECOURS DOIT ÊTRE LA RÉPARATION OU LE REMPLACEMENT DU PRODUIT, À NOTRE DISCRÉTION COMME INDICÉ AUX PRÉSENTES. NEWAGE NE DOIT PAS ÊTRE TENU RESPONSABLE DES DOMMAGES ACCESSOIRES ET INDIRECTS. Certains États et provinces ne permettent pas l'exclusion ou la limitation des dommages accessoires ou indirects, il est par conséquent possible que ces limitations et exclusions ne s'appliquent pas à vous. Cette garantie vous donne des droits légaux particuliers et vous pourriez également disposer d'autres droits variant selon l'État ou la province.

Pratiques d'exploitation sécuritaires

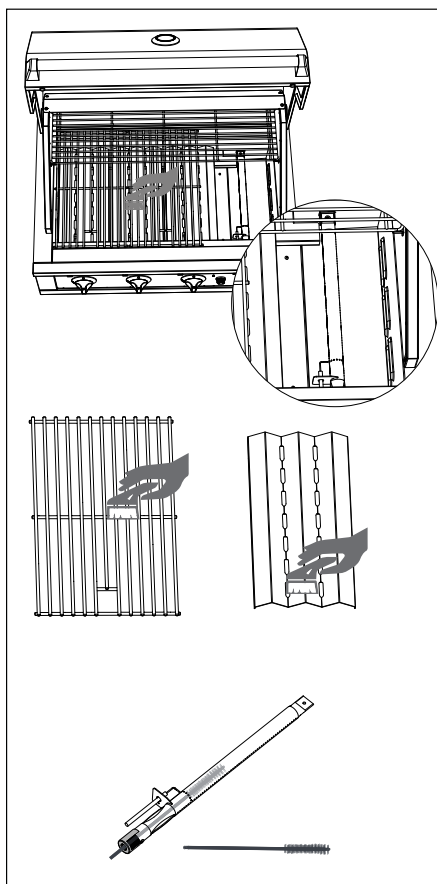
1. Le gril NewAge doit être assemblé et installé conformément aux instructions du manuel.
2. Lisez l'intégralité du manuel d'instructions avant d'utiliser le gril.
3. Le gril NewAge doit être utilisé à l'extérieur, dans un endroit bien ventilé, et ne peut pas être utilisé à l'intérieur, dans un endroit fermé tel qu'un garage, un pavillon, un porche grillagé ou tout autre endroit fermé similaire.
4. Les grils NewAge ne sont pas conçus ou certifiés pour des véhicules de plaisance, des remorques portables ou des bateaux, et ils ne doivent pas y être installés.
5. N'utilisez jamais le gril dans des conditions venteuses. S'il est situé dans une zone constamment exposée au vent, en bord de mer, au sommet d'une montagne, etc., un pare-vent sera nécessaire. Respectez toujours les dégagements spécifiés dans la section INSTALLATION de ce manuel. Consultez la page 10 pour des informations supplémentaires.
6. Ne modifiez pas le gril NewAge.
7. N'utilisez pas le gril NewAge sous, ou près d'une construction combustible.
8. Maintenez un espace suffisant par rapport aux combustibles, 457 mm (18 po) à l'arrière de l'appareil, 356 mm (14 po) sur les côtés. Un dégagement supplémentaire de 810 mm (32 po) est recommandé près des parements en vinyle ou des panneaux en vitre.
9. Lorsque vous ne l'utilisez pas, coupez le gaz au niveau du robinet d'alimentation.
10. Si vous utilisez une bouteille de propane (réservoir de propane), fermez toujours le robinet principal de la bouteille de gaz propane après chaque utilisation.
11. N'utilisez jamais de bouteille de propane bosselée, rouillée ou endommagée.
12. Il n'est pas possible de ranger une bouteille de gaz propane de rechange sous le gril à gaz.
13. Ne raccordez et ne détachez jamais une bouteille de gaz propane, et ne déplacez et ne modifiez pas les raccords de gaz lorsque le gril fonctionne ou est chaud.
14. N'utilisez que des bouteilles de propane avec un raccordement de type QCC1.
15. Lorsque la bouteille de propane est raccordée à l'appareil, le gril à gaz et la bouteille doivent être rangés à l'extérieur dans un espace bien ventilé.
16. Lorsque le gril à gaz doit être rangé à l'intérieur, le raccord entre la bouteille de propane et le gril à gaz doit être débranché et la bouteille doit être retirée et rangée à l'extérieur dans un espace bien ventilé, hors de portée des enfants. Les bouteilles débranchées ne doivent pas être rangées dans un bâtiment, un garage ou tout autre espace clos.
17. Inspectez le tuyau d'alimentation en carburant avant chaque utilisation. S'il y a des signes d'abrasion ou d'usure excessive ou si le tuyau est coupé, avant d'utiliser le gril à gaz, il doit être remplacé par un tuyau de rechange spécifié par le fabricant du gril.
18. Il faut effectuer un test d'étanchéité de l'appareil avant la première utilisation, une fois par an et à chaque remplacement d'un composant du gaz. Consultez la page 8 pour des informations supplémentaires.
19. Suivez attentivement les instructions d'allumage lorsque vous utilisez le gril.
20. Les commandes du brûleur doivent être éteintes lorsque le robinet de la bouteille d'alimentation est ouvert.
21. Le couvercle du gril doit être complètement ouvert pendant l'allumage du gril. Le non-respect de cette règle risque d'entraîner une explosion et des blessures ou la mort.
22. Ne vous penchez jamais par-dessus le grill et gardez le visage loin de celui-ci lorsque vous l'allumez.
23. Ne laissez jamais votre tuyau de gaz toucher votre boîtier de brûleur. Consultez la page 9 pour des renseignements supplémentaires.

Pratiques d'exploitation sécuritaires

24. Utilisez toujours une main protégée lorsque vous ouvrez le couvercle du gril et faites-le toujours lentement pour permettre à la chaleur et à la vapeur de s'échapper.
25. Ne laissez pas le gril sans surveillance lorsqu'il fonctionne.
26. N'utilisez pas de papier d'aluminium pour tapisser les bacs d'égouttage ou les plateaux en céramique. Cela peut perturber gravement le flux d'air de combustion ou piéger une chaleur excessive dans la zone de contrôle. Il peut en résulter des boutons fondus ou des composants d'allumage endommagés.
27. Les adultes et les enfants doivent être informés des dangers des températures de surface élevées. Ne laissez jamais les enfants sans surveillance autour du gril NewAge.
28. Ne touchez jamais à mains nues les grilles, le couvercle ou les surfaces métalliques environnantes pendant que vous faites des grillades.
29. Le gril NewAge doit être refroidi avant de mettre le couvercle. Ne mettez jamais le couvercle lorsque vous cuisinez ou lorsque le gril est chaud.
30. Gardez toutes les conduites d'alimentation en gaz loin des surfaces chauffées.
31. Ne grillez jamais sans que le bac d'égouttage soit installé. La graisse chaude peut s'écouler et produire un incendie ou une explosion.
32. Nettoyez régulièrement les bacs à graisse pour éviter les feux de graisse. Consultez la page 8 pour des renseignements supplémentaires.
33. Les araignées et les insectes aiment nicher dans les brûleurs, les venturis, les valves et les orifices d'un gril, ce qui perturbe l'écoulement du gaz. Cette condition très dangereuse peut provoquer un incendie derrière le panneau de commande, endommageant le gril et risquant de provoquer des blessures. Si votre gril n'a pas été utilisé pendant longtemps, inspectez et nettoyez les brûleurs, les venturis, les valves et les orifices.
34. Nettoyez le gril avec précaution. Évitez les brûlures de vapeur; n'utilisez pas d'éponge ou de chiffon humide pour nettoyer le gril lorsqu'il est chaud. Certains nettoyeurs produisent des fumées nocives ou peuvent s'enflammer s'ils sont appliqués sur une surface chaude.
35. Ne placez, ne rangez et ne faites pas fonctionner le gril sur un plan incliné. Si vous utilisez un chariot de gril, assurez-vous de bloquer les roues avant de faire fonctionner le gril.
36. Ne déplacez pas l'appareil pendant son utilisation.
37. N'utilisez pas de laveuse à pression pour nettoyer le gril NewAge.
38. Ayez toujours un extincteur ABC à portée de main - n'essayez jamais d'éteindre un feu de graisse avec de l'eau ou d'autres liquides.
39. Si le gril est installé par un installateur ou un technicien professionnel, assurez-vous qu'il vous montre l'endroit où se trouve la fermeture de votre alimentation en gaz. Toutes les conduites de gaz doivent être munies d'un dispositif d'arrêt facile et rapide d'accès. Si vous sentez une odeur de gaz, vérifiez immédiatement s'il y a des fuites de gaz. Procédez à la vérification uniquement avec une solution d'eau et de savon.
40. Pour votre sécurité personnelle, portez des vêtements appropriés lorsque vous faites un barbecue.
41. N'utilisez pas le gril pour cuire des viandes ou des produits trop gras qui favorisent les flambées. Pour contrôler les flambées, réglez les commandes pour abaisser la température. Si les flambées de votre gril sont incontrôlables, éteignez les brûleurs. N'utilisez pas d'eau pour éteindre les flambées. Pulvériser de l'eau sur une flambée peut faire exploser la graisse.

Remarque : CE MANUEL DOIT RESTER CHEZ LE PROPRIÉTAIRE DU PRODUIT POUR CONSULTATION ULTÉRIEURE

Pratiques d'exploitation sécuritaires



Nettoyez régulièrement les éléments de votre grill pour éviter les flambées et les feux de graisse

Tout comme les appareils de cuisson de votre maison, votre grill NewAge doit être régulièrement nettoyé et entretenu pour fonctionner au maximum de ses performances. Cela permet non seulement de produire des aliments plus savoureux et plus sains, mais aussi de réduire les risques de flambées dangereuses ou d'incendies de graisse.

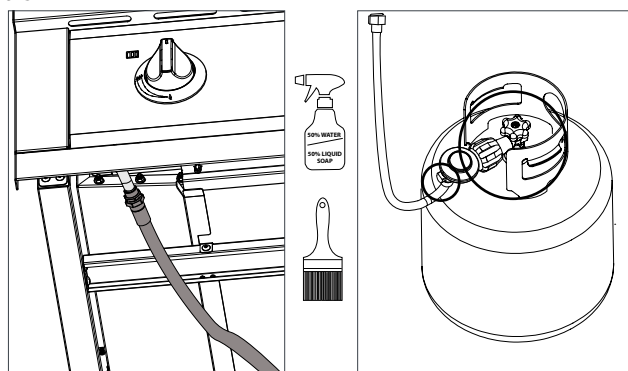
Voici les zones clés à garder propres :

1. Retirez les grilles de cuisson et grattez les particules d'aliments en excès avec une brosse à barbecue après chaque utilisation. Pour un nettoyage en profondeur, faites tremper et frottez avec du savon à vaisselle et de l'eau plusieurs fois par saison.
2. Retirez le bac à graisse après chaque utilisation et grattez la graisse ou les morceaux de nourriture. Lavez avec du savon à vaisselle et de l'eau pour le garder propre.
3. Vos plateaux en céramique vont accumuler beaucoup de brûlures dues aux sauces et égouttures de graisse. Enlevez les résidus du plateau à l'aide d'un grattoir et utilisez une brosse métallique pour enlever les débris des briquettes.
4. Les brûleurs qui ne sont pas utilisés fréquemment peuvent être bloqués par les araignées qui sont attirées par l'odeur du gaz et qui construisent des toiles à l'intérieur des tubes du brûleur. Utilisez une brosse métallique pour nettoyer l'intérieur des brûleurs et enlever les débris de l'extérieur des brûleurs.
5. Grattez l'intérieur de votre boîte de brûleur au moins une fois par saison pour éliminer l'accumulation de carbone. Ramassez les débris à la pelle ou à l'aspirateur, réinstallez tous les composants et profitez d'une expérience de grillade beaucoup plus propre.

Tester vos raccords de tuyaux pour détecter les fuites de gaz

Les fuites de gaz sont un problème grave qui peut être facilement évité en effectuant un contrôle d'étanchéité simple et rapide chaque année ou chaque fois que des composants du gaz sont remplacés ou entretenus.

1. Assurez-vous que tous les boutons de commande du grill sont en position d'arrêt.
2. Allumez l'alimentation en combustible,
Pour le gaz propane
Effectuez un tour complet avec le bouton du robinet de la bouteille dans le sens inverse des aiguilles d'une montre.
3. Brossez ou pulvérisez une solution composée de 50% de savon liquide et de 50% d'eau sur tous les joints et raccords du régulateur, du tuyau, des collecteurs et des robinets.
4. Des bulles indiquent une fuite de gaz. Coupez **IMMÉDIATEMENT** l'alimentation en gaz et n'utilisez pas le grill avant d'avoir contacté un installateur de gaz licence pour remplacer les pièces défectueuses.



⚠ AVERTISSEMENT

Le test d'étanchéité doit être effectué avant la première utilisation, chaque année et chaque fois que des composants du gaz sont remplacés ou entretenus. Ne fumez pas pendant ce test et éliminez toute source d'allumage. Consultez le diagramme des tests de fuite pour connaître les zones à vérifier. N'effectuez jamais de test de fuite en utilisant du feu ou une flamme. Les étincelles ou les flammes nues provoqueront un incendie ou une explosion, des dommages matériels, des blessures corporelles graves ou la mort.

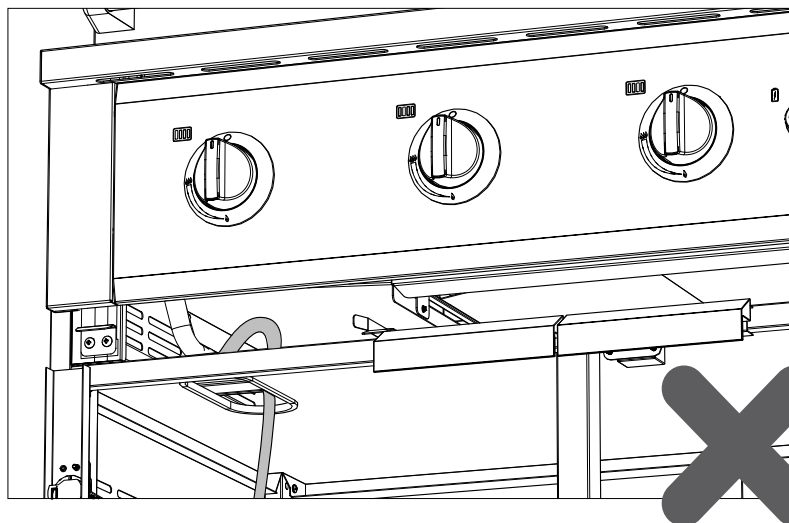
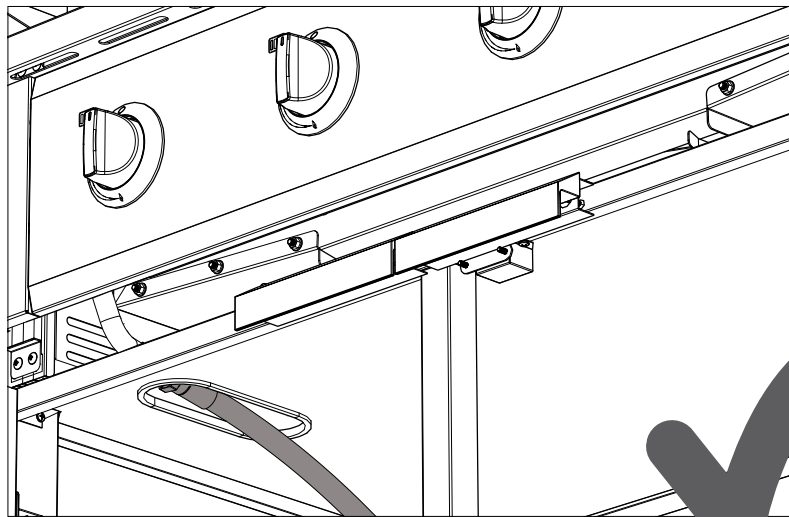
Pratiques d'exploitation sécuritaires

Ne laissez jamais votre tuyau de gaz toucher votre brûleur

Le dessous de votre gril devient incroyablement chaud. Pousser votre excès de tuyau dans la cavité située sous votre gril ou l'enrouler sous le boîtier du brûleur peut faire fondre le revêtement extérieur du tuyau de gaz et provoquer un incendie.

Que votre gril soit raccordé à une conduite de gaz naturel ou à une bouteille de propane, prenez ces mesures pour vous assurer que votre tuyau est bien positionné :

1. Assurez-vous que votre gril est **éteint** et **refroidi**.
2. Agenouillez-vous et cherchez dans la cavité le tuyau situé à gauche du gril.
3. Si le tuyau est entassé ou touche la boîte à feu, tirez le tuyau de gaz du bas du meuble jusqu'à ce que le surplus soit enlevé.
4. Assurez-vous que le tuyau ne présente pas de signes de fonte ou de dommages. Si des dommages se sont produits ou si vous n'êtes pas sûr de savoir comment vérifier, contactez **l'équipe de soutien à la clientèle > 1 877 306-8930 ; ou envoyez un courriel à support@newageproducts.com**

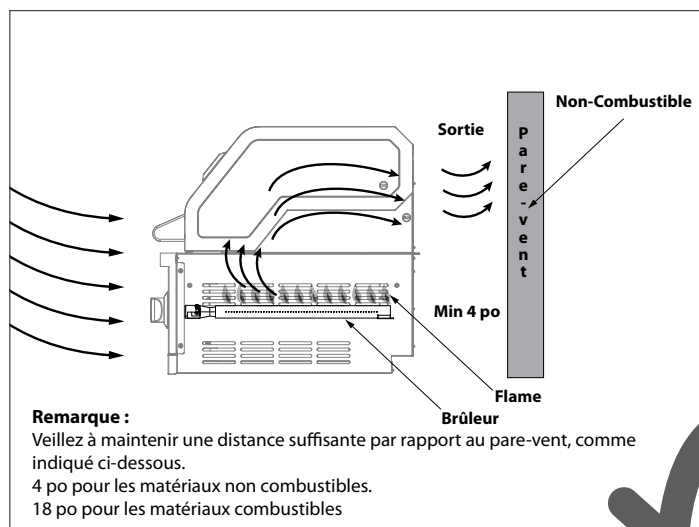
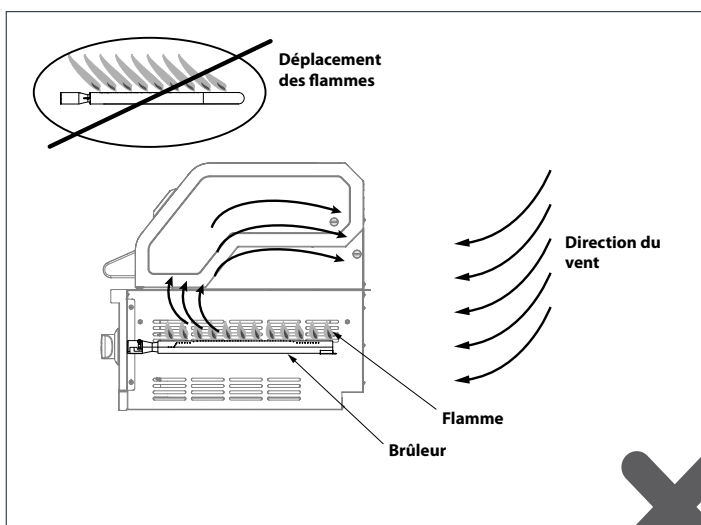


Pratiques d'exploitation sécuritaires

Utiliser le gril dans des conditions venteuses

⚠ AVERTISSEMENT

L'utilisation de votre gril dans des conditions venteuses peut perturber la circulation de l'air de l'avant vers l'arrière. Si, pendant que vous grillez avec tous les brûleurs en position haute et le couvercle fermé, vous remarquez que la jauge de température ne monte pas... soyez vigilant. Si le vent a empêché les gaz chauds de sortir par l'arrière du gril, le panneau de commande et les boutons peuvent être devenus extrêmement chauds.



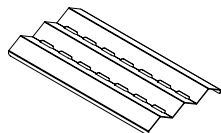
En cas de vent fort, il est préférable de ne pas utiliser votre gril. S'il est situé dans une zone constamment exposée au vent (front de mer, sommet d'une montagne, etc.), un pare-vent sera nécessaire. Respectez toujours les dégagements spécifiés dans le « Manuel d'installation ».

⚠ Remarque

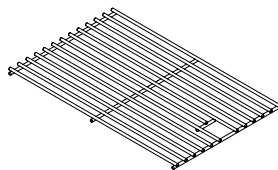
Tout dommage causé par une utilisation dans des conditions venteuses, comme des boutons ou des fils d'allumage fondus, ou une décoloration du panneau de commande due à une accumulation de chaleur, est exclu de la garantie.

Pièces fournies

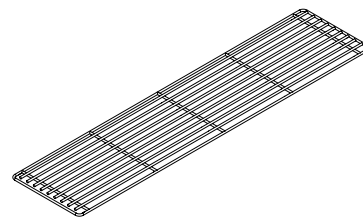
Parties principales du grill



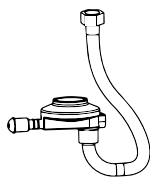
4x Panneaux
pare-flammes



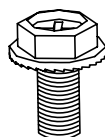
3x Grilles SS



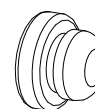
1x Grille de
réchauffage SS



1 x Tuyau de Propane
(préinstallé)

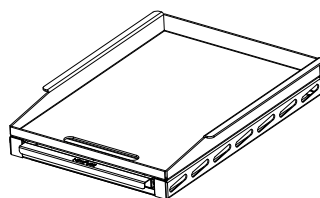


2 x M6x12L
Vis à tête hexagonale

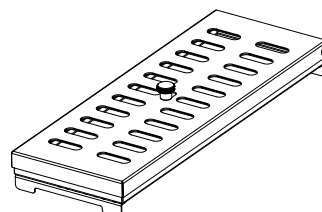


2 x Butées de
rechange en
caoutchouc

Accessoires optionnels



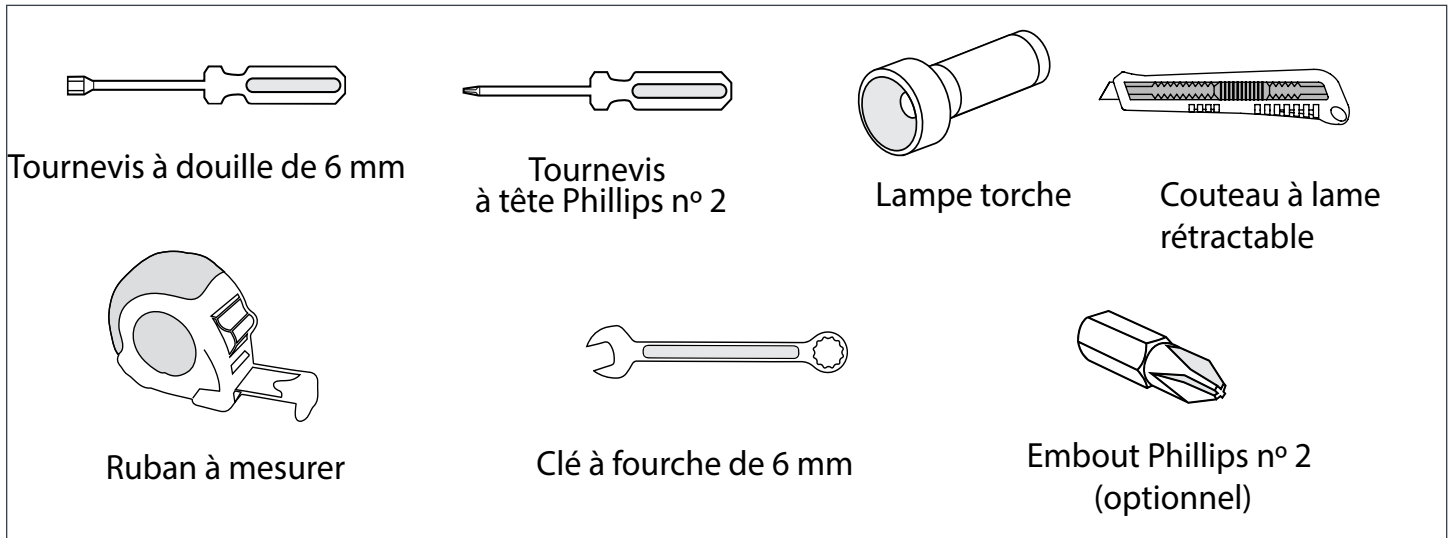
Plancha
N° d'UGS66940



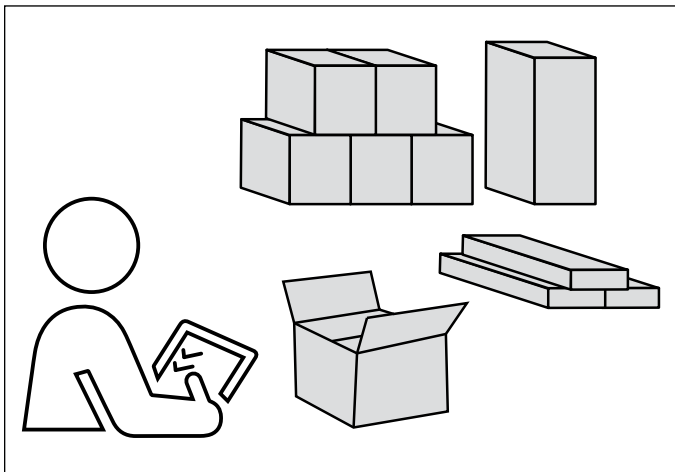
Boîte à fumaison
N° d'UGS66946

*L'offre des accessoires dépend de l'emplacement et est sujette à changement.

Outils requis

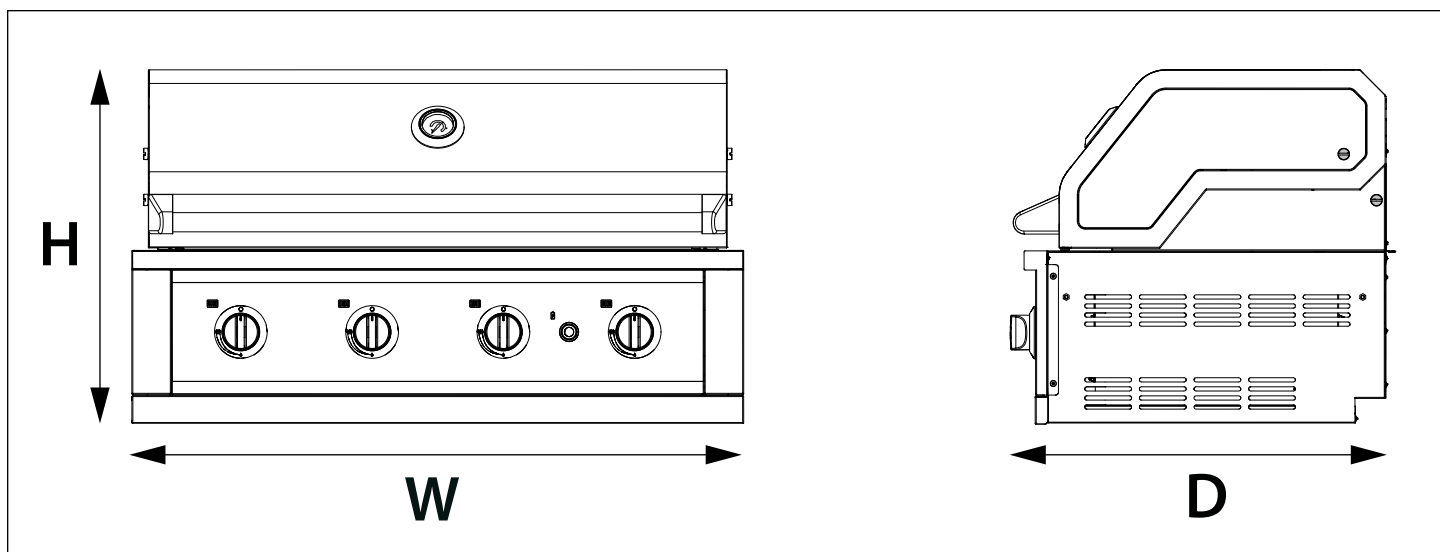


Inspection du produit



- Assurez-vous d'avoir reçu toutes les pièces conformément à la commande que vous avez passée.
- S'il manque des pièces, contactez NewAge Products au 1 877 306-8930.
- Avant de commencer l'installation, inspectez les produits pour y déceler tout dommage.
- Lisez attentivement les instructions d'installation avant de commencer l'installation.

Spécifications du produit



Gril NewAge de 36 po

Dimensions

Largeur (L)	35.98"
Profondeur (P)	24.20"
Hauteur (H)	23.04"

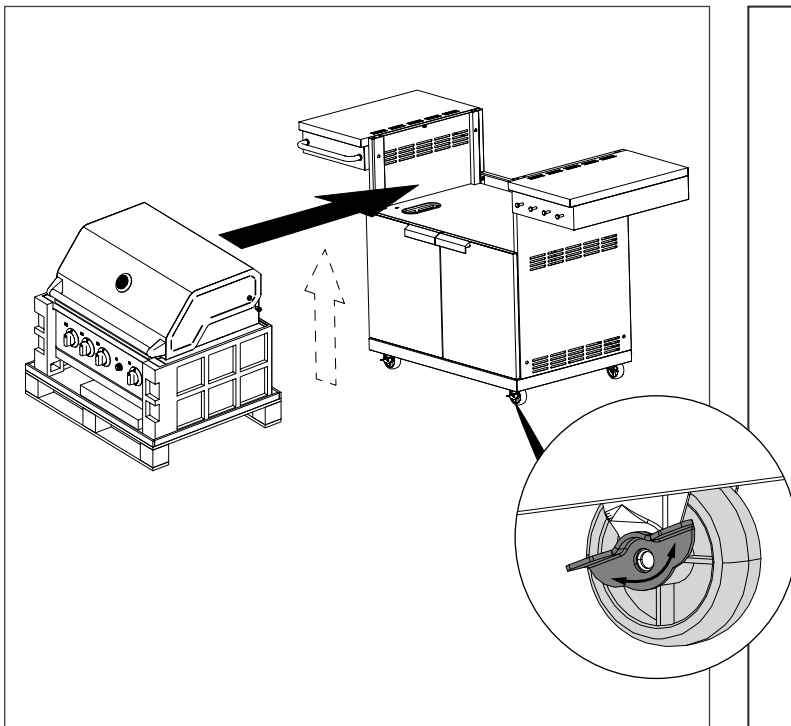
Détails

Matériau	Stainless Steel	Zone de cuisson principale	562 Square inch
BTU du brûleur primaire	12,000 BTUs x 4	Zone de la grille de réchauffage	257 Square inch
Type de carburant	Propane Gas	Largeur de l'ouverture	34.5"
Production totale d'énergie	48,000 BTUs	Profondeur de l'ouverture	22.3"
Poids net	124.12 Lbs	Hauteur de l'ouverture	11.2"

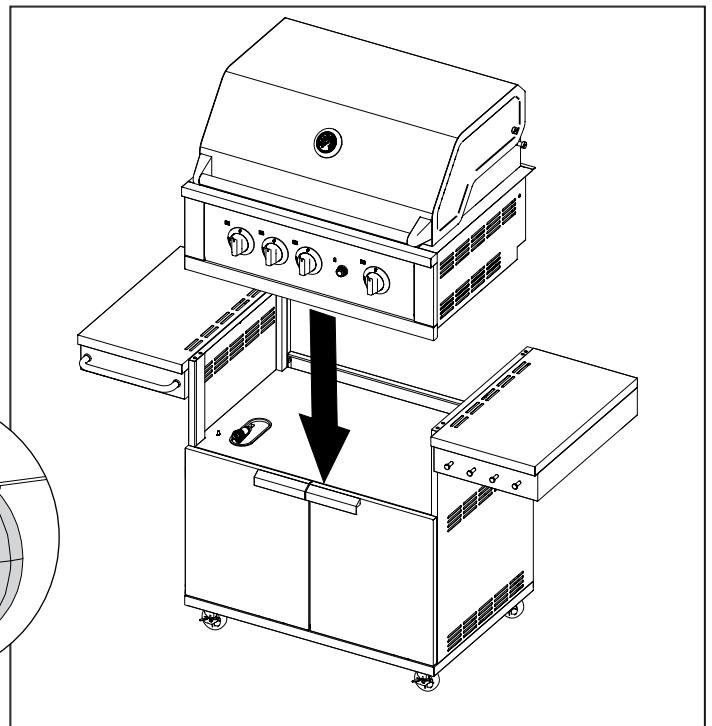
l'installation d'un gril sur armoire et chariot de gril NewAge

Pour des instructions plus détaillées sur les étapes d'installation, reportez-vous au guide d'installation de l'armoire/chariot de gril NewAge.

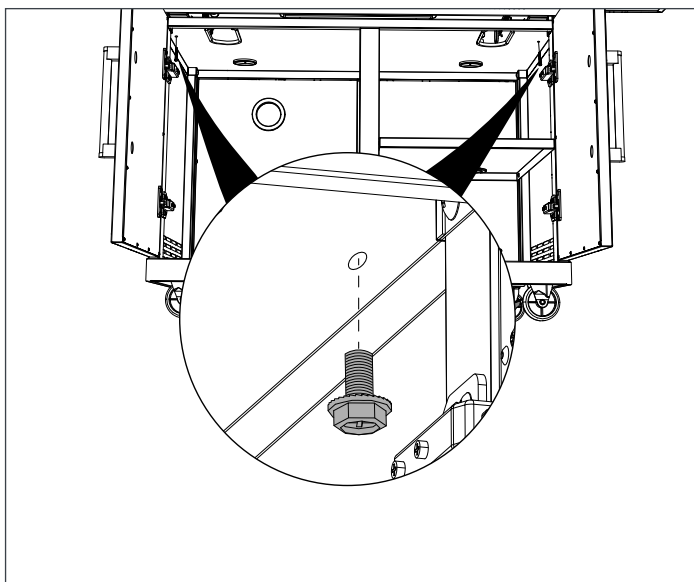
- 1** Verrouillez les roulettes (le cas échéant). Prenez l'appareil sur la palette d'expédition et placez-le directement sur l'armoire/chariot.



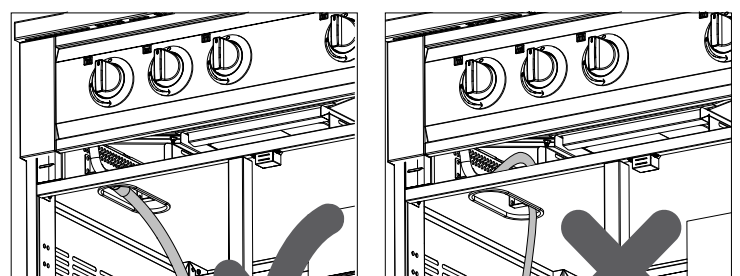
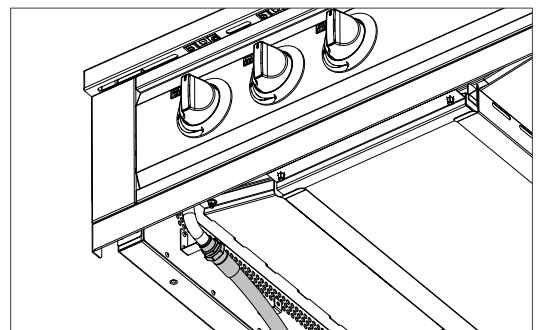
REMARQUE : Lorsque vous êtes prêt à installer l'appareil, placez-le directement sur l'armoire/chariot.
NE posez PAS l'appareil sur le sol ou sur une surface plane.



- 2** Fixez le gril sur l'armoire/chariot en insérant deux vis M6x12 mm par la base ; fournies avec les armoires/chariots NewAge.

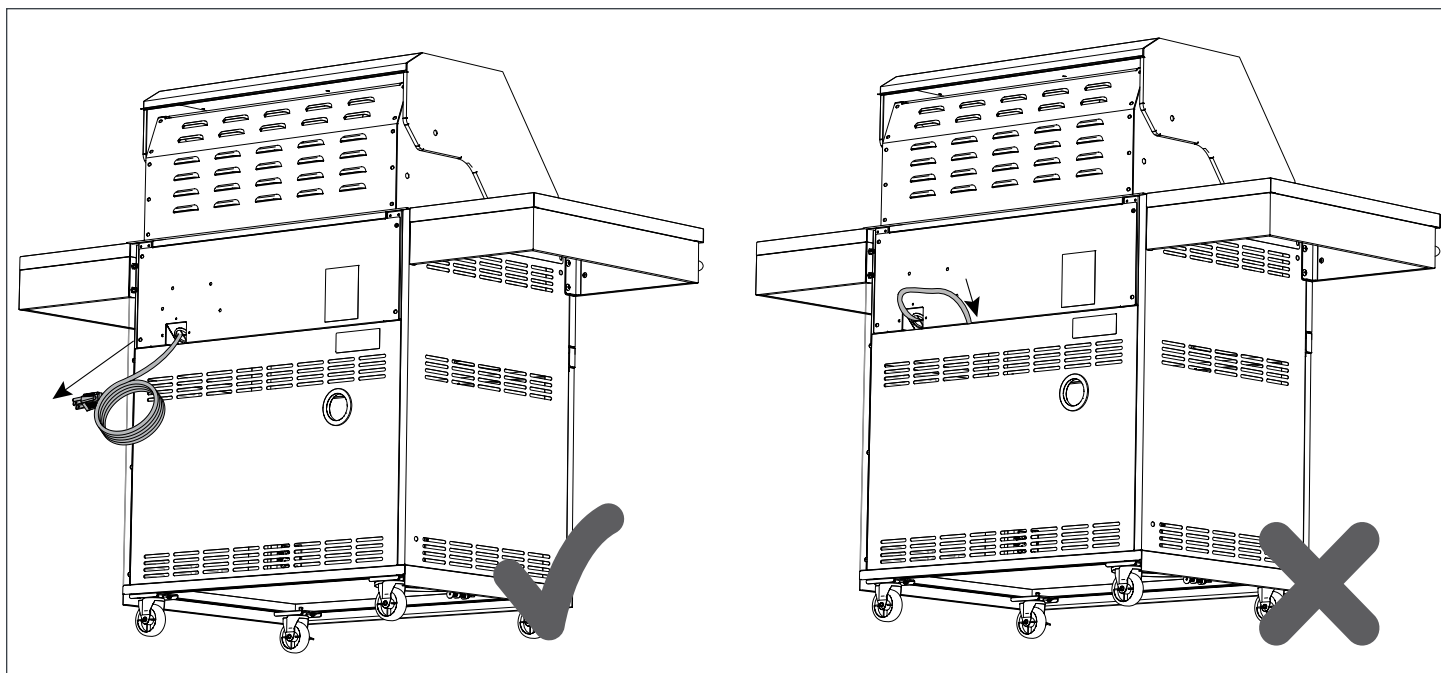


- i** Lorsque vous raccordez le tuyau de gaz au gril, assurez-vous que le tuyau n'est pas emmêlé sous le gril.

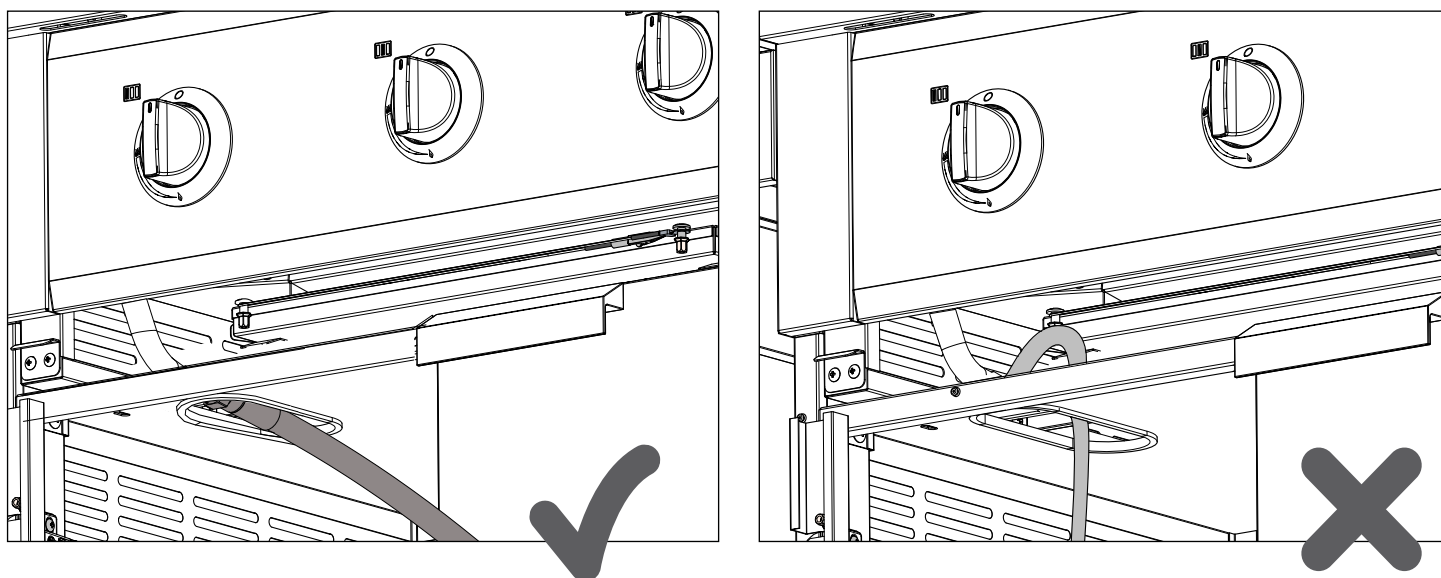


l'installation d'un gril sur armoire et chariot de gril NewAge

REMARQUE : Acheminez le câble d'alimentation à l'extérieur du panneau arrière du chariot. **NE** faites **PAS** passer le câble par le dessous du gril. (Applicable aux armoires et aux chariots de gril)

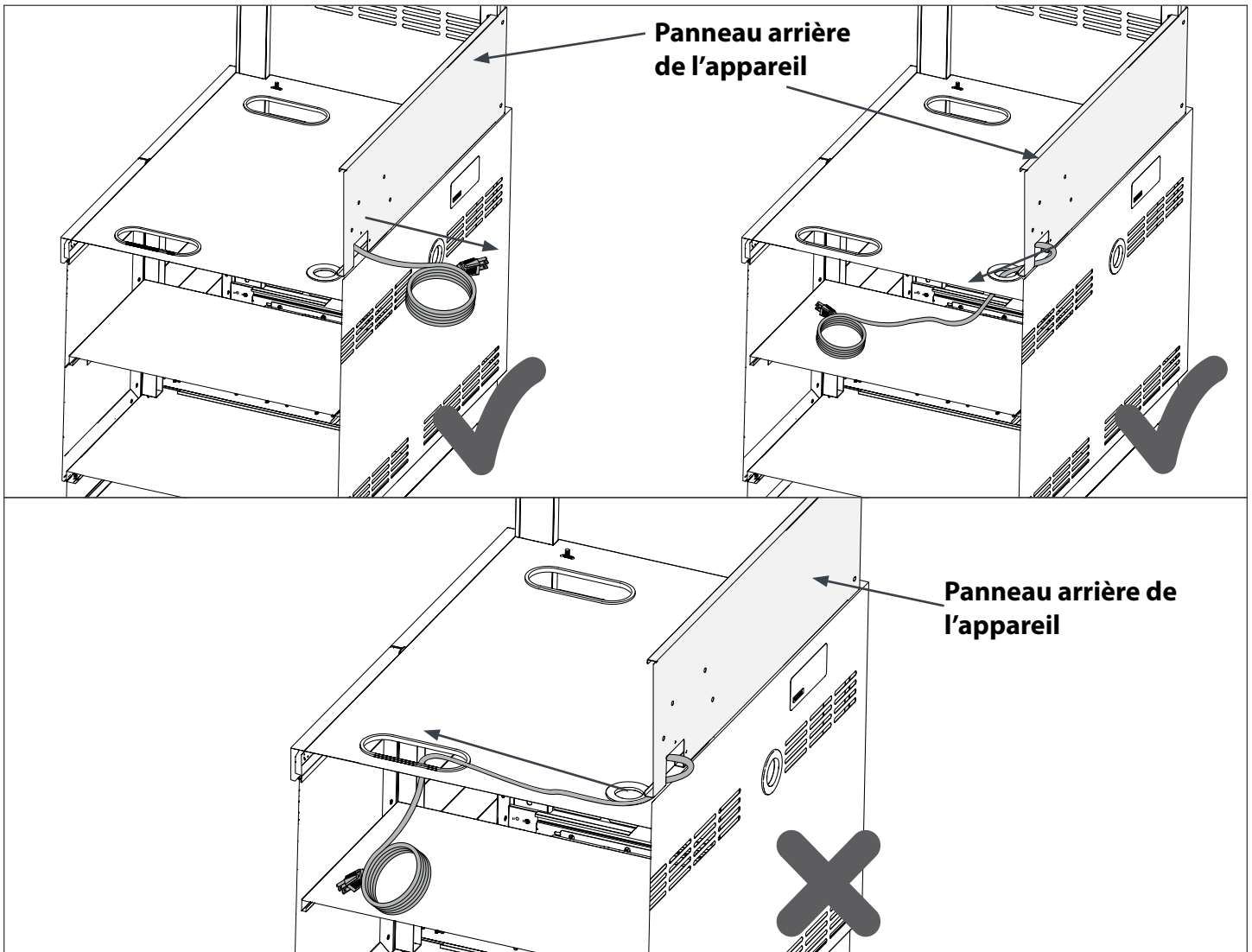


REMARQUE : Lorsque vous raccordez le tuyau de gaz au gril, assurez-vous que le tuyau n'est pas emmêlé sous le gril. (Applicable aux armoires et aux chariots de gril)



Installation de l'appareil sur l'armoire de grill NewAge

REMARQUE : Acheminez le câble d'alimentation à l'extérieur du panneau arrière de l'armoire.
NE faites PAS passer le câble par le dessous du grill. (Applicable aux armoires et aux chariots de grill)



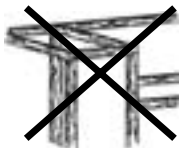
Installation d'un grill sur un meuble sur mesure

L'installation doit être conforme aux codes locaux ou, en l'absence de codes locaux, au National Fuel Gas Code, ANSI Z223.1/NFPA 54, au Storage and Handling of Liquefied Petroleum Gases, ANSI/NFPA 58 ; ou au Natural Gas et au Propane Installation Code, CSA B149.1 ; Propane Storage and Handling.

⚠ MISE EN GARDE

1. Si vous souhaitez connecter l'appareil à un système de tuyauterie de carburant fixe et avez des questions sur l'installation, contactez "NEWAGE Product Inc", appelez l'équipe d'assistance clientèle > 1-877-306-8930 ; ou support@newageproducts.com
2. La garantie du produit peut être annulée si l'installation s'écarte des instructions d'installation fournies dans ce manuel.

⚠ AVERTISSEMENT



Cabinet frame, cabinet side panels and counter top must be made from non-combustible material.

⚠ AVERTISSEMENT



Une bouteille de propane ne peut pas être stockée sous le grill à gaz. Un seul réservoir de 20 livres (12,125 po x 17,75 po) max. en service doit être utilisé avec le grill.

⚠ AVERTISSEMENT

1. Ne rangez et n'utilisez pas des produits contenant des liquides ou des vapeurs inflammables à proximité du grill NewAge, des meubles de cuisine extérieure NewAge ou de tout autre appareil.
2. N'entreposez pas de bouteille de gaz propane de rechange dans ou près du meuble de grill NewAge, des meubles de cuisine extérieure NewAge ou de tout autre appareil.

DÉGAGEMENTS :

D'UNE CONSTRUCTION NON COMBUSTIBLE

Un dégagement minimum de 10 cm (4 po) entre l'arrière du grill et la construction non combustible est nécessaire pour permettre l'ouverture complète du couvercle.

D'UNE CONSTRUCTION COMBUSTIBLE

Cet appareil ne doit PAS être installé au-dessus, au-dessous ou à côté d'une construction combustible non protégée. Le dégagement minimum par rapport aux matériaux combustibles verticaux et arrière est de 45 cm (18 po) et 36 cm (14 po) sur les côtés.

Le dégagement vertical minimal par rapport aux matériaux combustibles signifie que TOUS les matériaux combustibles doivent se trouver en dehors de cette zone de 45 cm (18 po). À titre d'exemple, si vous avez un îlot avec une surface en stuc ou carrelée et une construction à ossature bois en dessous, le bois est considéré comme combustible, même si le grill touche la surface du stuc ou le carrelage, qui est non combustible. Dans certaines circonstances extrêmes, le bois pourrait devenir assez chaud pour brûler.

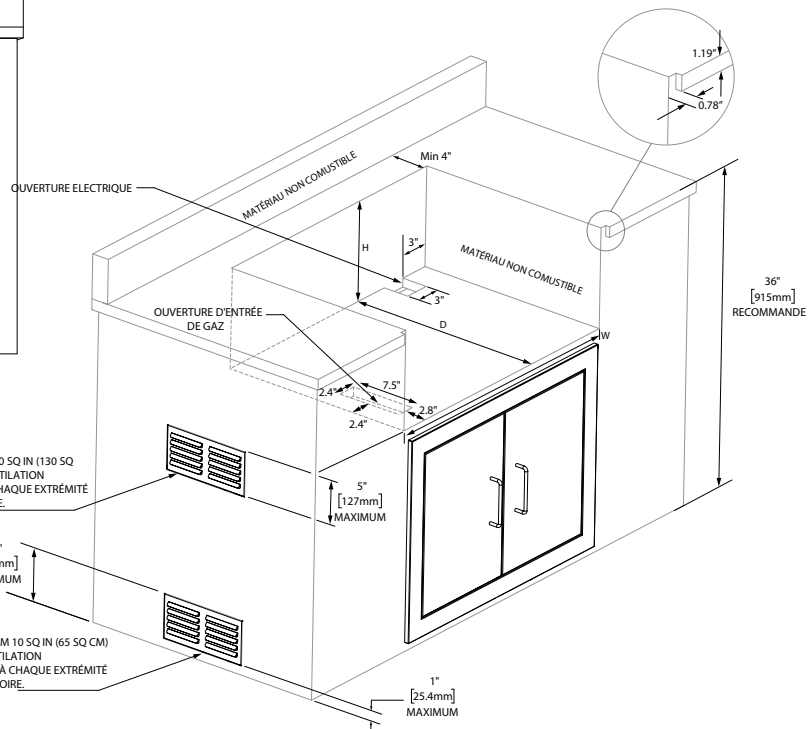
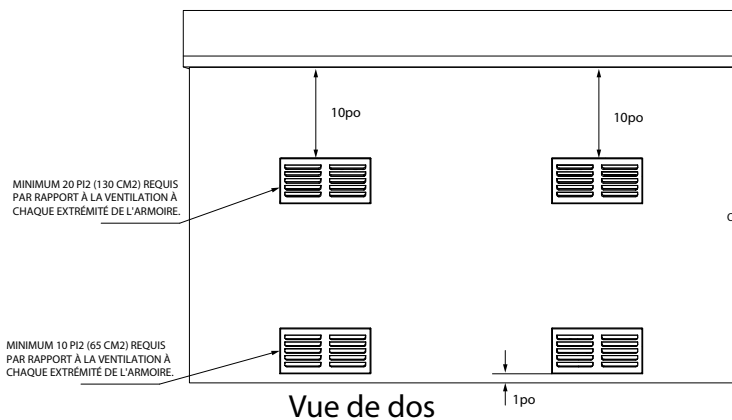
ORIFICES DE VENTILATION

Un minimum de trois orifices de ventilation de 65 cm² (10 po²) doivent être prévues au bas des côtés gauche et droit de votre enceinte (îlot), ainsi qu'à l'arrière. Un minimum de trois orifices de ventilation de 20 po² (130 cm²) doivent être prévues en haut des côtés gauche, droit et arrière de votre enceinte (îlot) à l'endroit où le haut de l'orifice s'aligne avec le bas de la découpe pour le grill. Ces orifices sont nécessaires pour dissiper en toute sécurité les vapeurs de gaz en cas de fuite dans votre enceinte.

Installation d'un grill sur un meuble sur mesure

Aménagement d'une enceinte non combustible

Exemple de configuration 1 : Avec fond à découpe fermée



⚠ AVERTISSEMENT

- L'orifice supérieur de l'évent doit être d'au moins 20 pouces carrés pour une bouteille de propane de 9,1 kg (20 lb).
- L'orifice inférieur de l'évent doit être d'au moins 10 pouces carrés pour une bouteille de propane de 9,1 kg (20 lb).

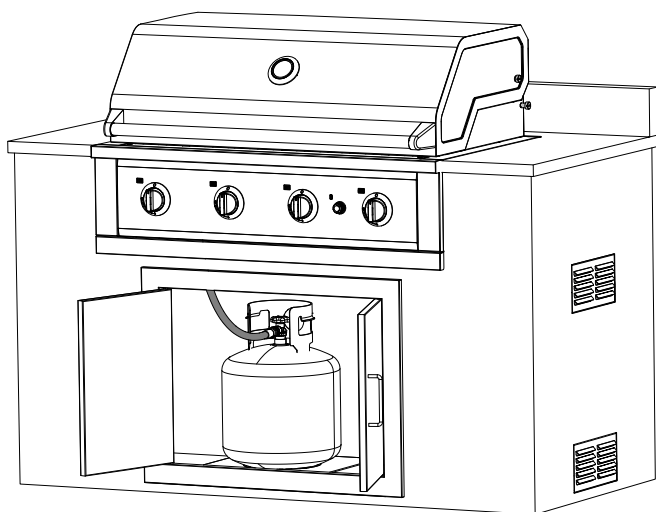
⚠ AVERTISSEMENT



Une bouteille de propane ne peut pas être stockée sous le grill à gaz. Un seul réservoir de 20 livres (12,125 po x 17,75 po) max. en service doit être utilisé avec le grill.

Remarque : Le meuble ne doit pas être conçu de manière à ce qu'une bouteille de recharge puisse être rangée à l'intérieur de l'enceinte.

L'orifice de l'enceinte de propane est limité aux dimensions ci-dessous :
La largeur (W1) doit être inférieure à 23,5 po.
La hauteur (H1) doit être inférieure à 18,5 po.



Le réservoir de propane doit être fixé au meuble encastré à l'intérieur de l'enceinte.

Dimensions de la découpe

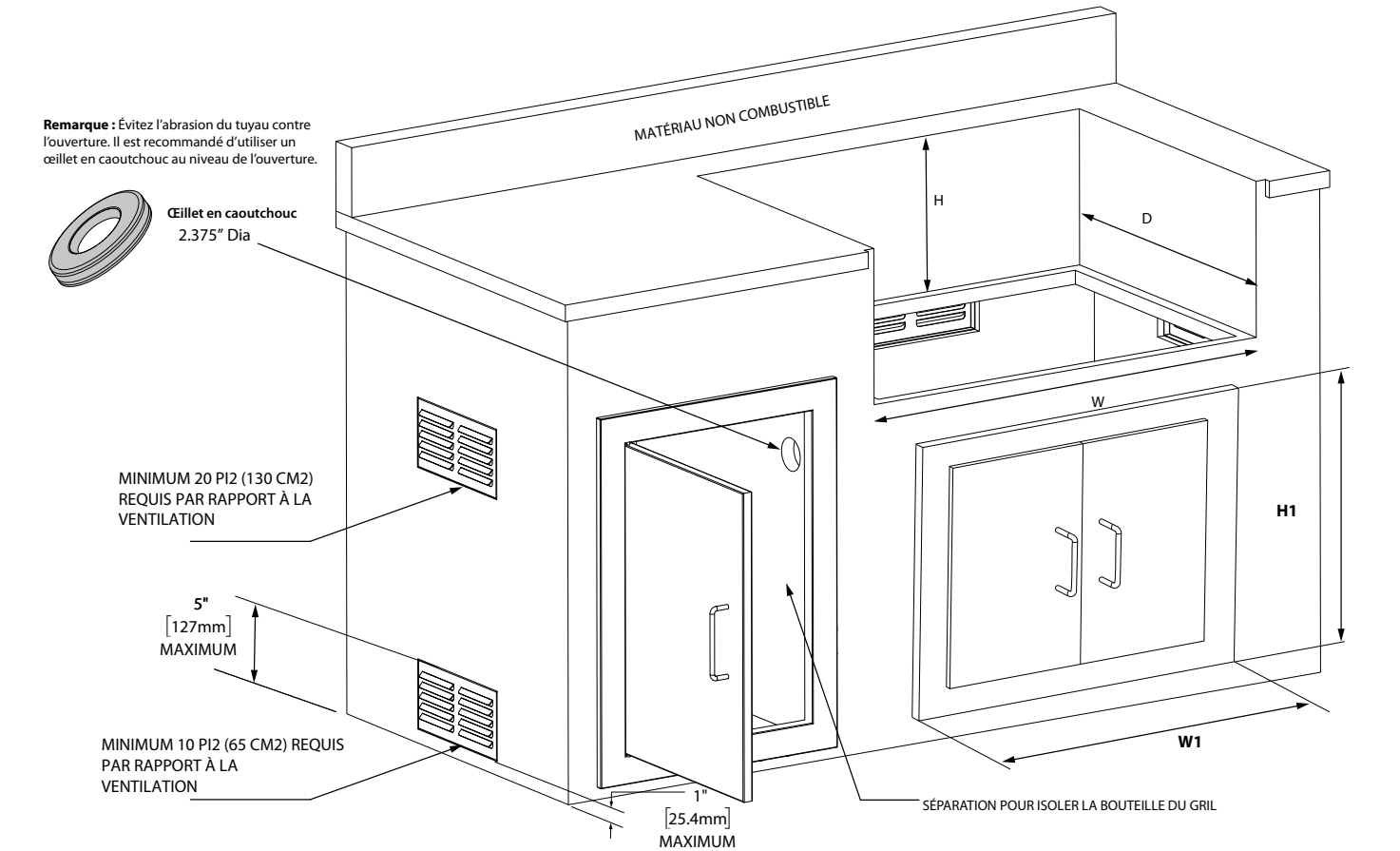
	UGS	L	P	H
Gril de 33 po	66980	31.5"	22.3"	11.2"
	66990			
Gril de 36 po	66981	34.5	22.3"	11.2"
	66991			
Gril de 40 po	66982	38.5"	22.3"	11.2"
	66992			
Brûleur latéral	66983	15.3"	22.4"	11.3"
	66993			

Remarque : Ces illustrations sont uniquement à titre de référence. Les meubles et l'installation réels peuvent différer.

Installation d'un grill sur un meuble sur mesure

Aménagement d'une enceinte non combustible

Exemple de configuration 2 : Avec fond à découpe ouverte

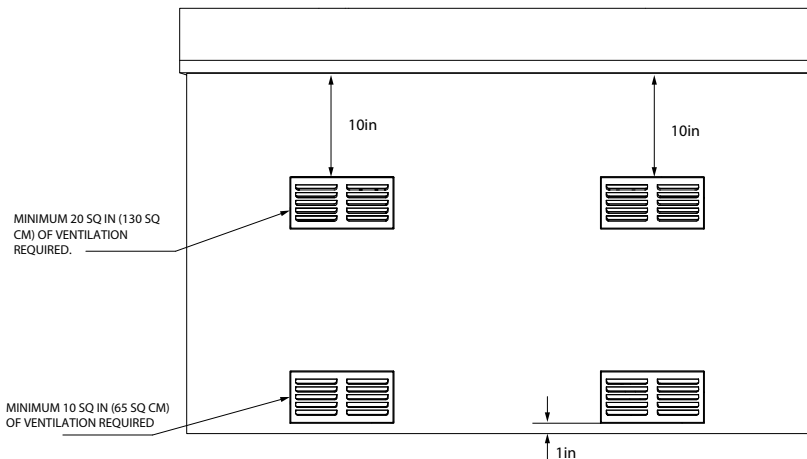


Note: The cabinet should not be designed in a way that a spare cylinder can be stored inside the enclosure.

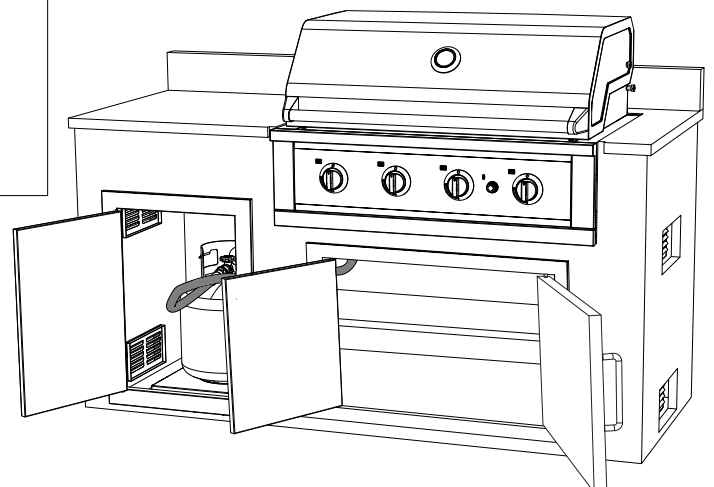
The opening of propane enclosure is limited to the dimensions below:

Width (W1) must be less than 23.5".

Height (H1) must be less than 18.5".



Vue de dos



Le réservoir de propane doit être fixé à l'armoire intégrée à l'intérieur de l'enceinte.

Remarque : Ces illustrations sont uniquement à titre de référence. Les meubles et l'installation réels peuvent différer.

Installation d'un grill sur un meuble sur mesure

Assurez-vous que le robinet de la bouteille de gaz propane est complètement fermé. Il est possible d'ouvrir le robinet sans libérer de gaz, mais, dès que vous commencez à raccorder le régulateur, du gaz s'échappe de la connexion.

Insérez l'entrée du régulateur dans le robinet de la bouteille et tournez l'écrou noir du coupleur dans le sens des aiguilles d'une montre jusqu'à ce que l'écrou du coupleur soit serré à la main. Ne serrez pas ce raccord de façon excessive. Consultez les figures 1 et 2.

Pour déconnecter l'écrou du coupleur, assurez-vous d'abord que le robinet principal de la bouteille est fermé. Saisissez l'écrou du coupleur et tournez dans le sens inverse des aiguilles d'une montre. L'entrée se désengagera alors.

Testez toujours l'étanchéité du raccord après avoir rempli ou échangé des bouteilles de gaz propane.

Capuchon anti-poussière - Mettez le capuchon anti-poussière sur la sortie du robinet de la bouteille lorsque celle-ci n'est pas utilisée. N'installez sur la sortie du robinet de la bouteille que le type de capuchon anti-poussière qui est fourni avec le robinet de la bouteille. D'autres types de bouchons ou de capuchons peuvent entraîner des fuites de propane.)

La bouteille de propane doit comporter un collier pour protéger le robinet de la bouteille.

Pour un appareil de cuisson à gaz d'extérieur muni d'un raccordement autre que le n° 600 : « Coupez l'alimentation en GPL de la bouteille lorsque l'appareil n'est pas utilisé. »

« Coupez l'alimentation en GPL de la bouteille lorsque l'appareil n'est pas utilisé. »

Pour un appareil de cuisson à gaz d'extérieur muni d'un raccord n° 600 : « La bouteille d'alimentation en GPL doit être débranchée lorsque cet appareil n'est pas utilisé. »

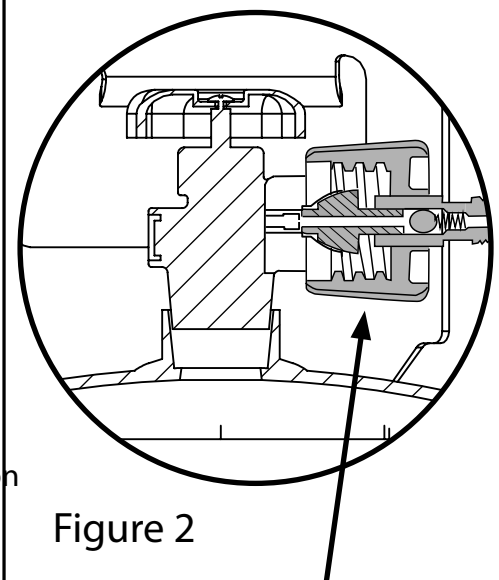
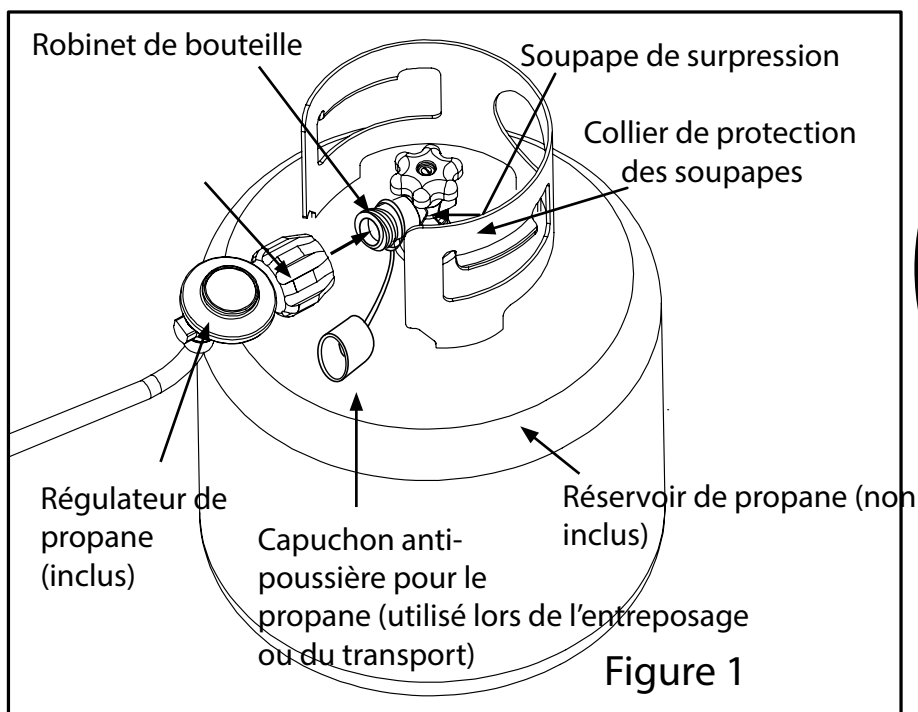
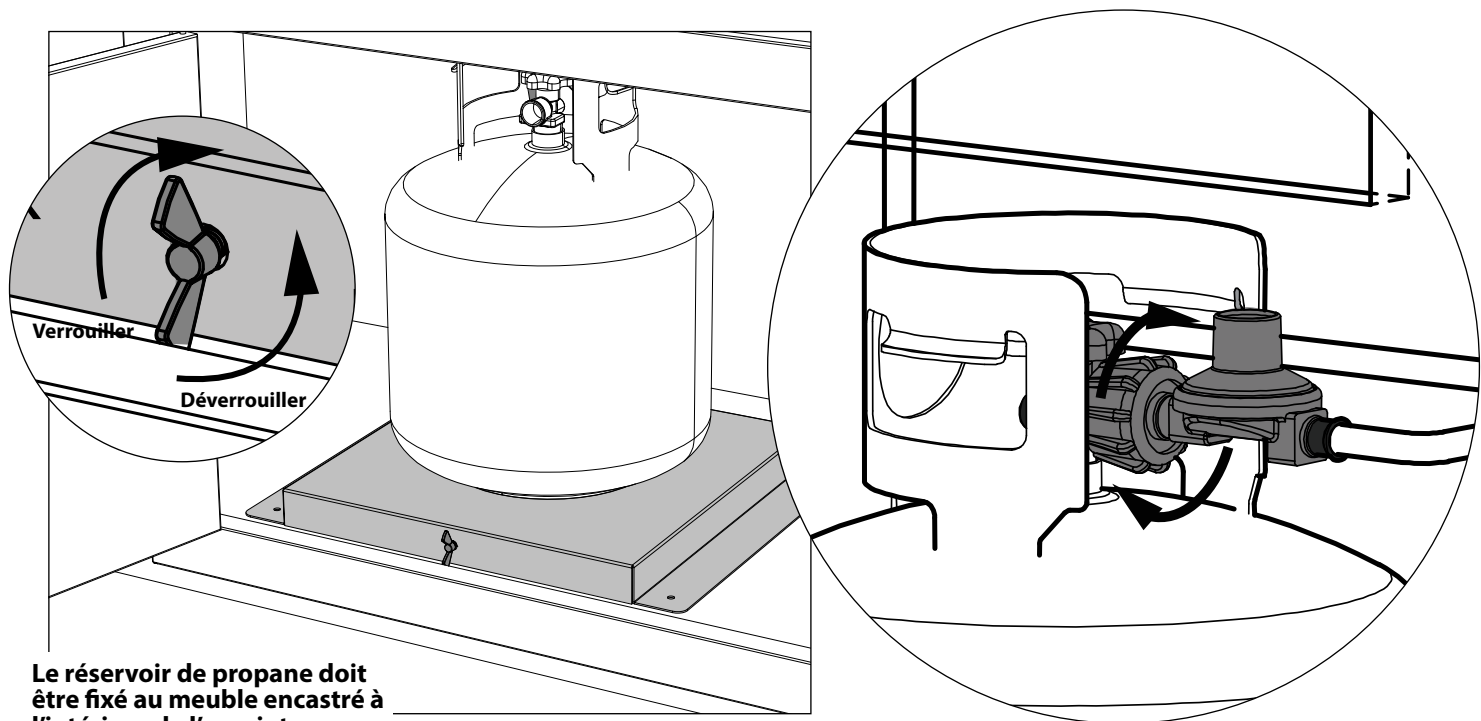


Figure 2

Serrez à la main pour assurer une bonne étanchéité et un débit de gaz correct.

Remarque : La longueur maximale du raccordement au gaz est de 1,82 m (6 pi).

Installation d'un gril sur un meuble sur mesure



⚠ AVERTISSEMENT

- Ce gril est conçu pour les enceintes non combustibles uniquement et doit être installé et entretenu par un installateur licence conformément aux codes locaux.
- Comme indiqué sur la plaque signalétique, ce gril à gaz est conçu pour fonctionner avec des pressions d'alimentation de 11 po CE pour le propane.
- Cet appareil est certifié pour être utilisé avec un réservoir de propane de 20 lb.
- Si la pression d'alimentation en gaz est inférieure à ces exigences, l'appareil sera sous-alimenté et n'atteindra pas les températures maximales. Assurez-vous que la taille de la conduite d'alimentation est conforme aux codes d'installation locaux et/ou nationaux.
- Si vous souhaitez connecter l'appareil à un système de tuyauterie de carburant fixe et avez des questions sur l'installation, contactez «NEWAGE Product Inc», appelez l'équipe d'assistance clientèle >1-877-306-8930 ; ou support@newageproducts.com
- La garantie du produit peut être annulée si l'installation s'écarte des instructions d'installation fournies dans ce manuel.

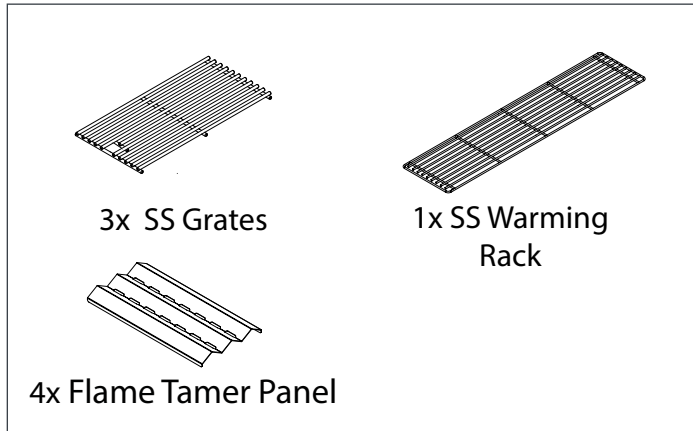
Installation d'un grill sur un meuble sur mesure

Spécifications des bouteilles de propane

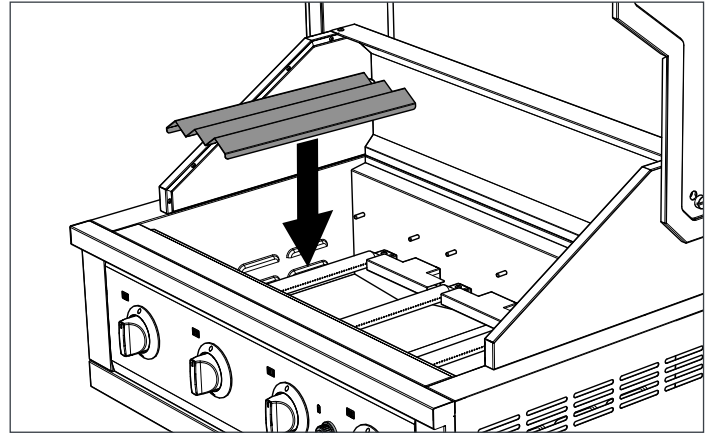
- Toute bouteille de GPL utilisée avec ce grill doit avoir un diamètre approprié de 12 pouces et une hauteur de 18 pouces. La capacité maximale de carburant est de 80 % et correspond à environ 20 livres de propane.
- La bouteille de GPL doit avoir un robinet de sectionnement se terminant par un Type 1 L.P.
- Une bouteille compatible de type 1 avec un robinet de bouteille de type 1 possède un clapet antiretour qui ne permet pas l'écoulement du gaz, jusqu'à ce qu'une étanchéité positive ait été obtenue.
- La bouteille doit être disposée de manière à permettre le retrait de la vapeur. Elle doit également comporter un collier pour protéger le robinet de la bouteille. Il faut prévoir un dispositif de décharge de sécurité ayant une communication directe avec l'espace vapeur de la bouteille. Cela permet d'expulser le gaz à haute pression si la bouteille est trop remplie ou surchauffée, ce qui pourrait provoquer un incendie ou une explosion.
- Lire les étiquettes sur le GPL. Bouteille d'alimentation en gaz.
- Les nouvelles bouteilles sont toujours expédiées vides pour des raisons de sécurité.
- N'autorisez que les revendeurs de GPL qualifiés à remplir ou à réparer votre bouteille de GPL.
- Informez le revendeur de gaz s'il s'agit d'une bouteille neuve ou d'occasion à remplir.
- Après le remplissage, demandez au distributeur de gaz de vérifier s'il y a des fuites et si la soupape de pression reste efficace et en bon état.

Assemblage du grill

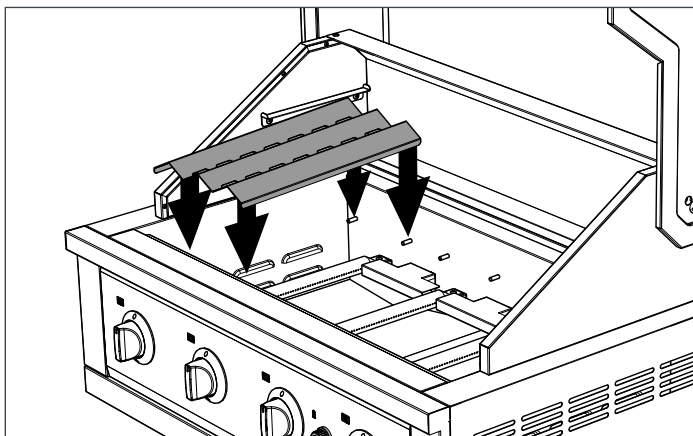
i Outils et pièces nécessaires.



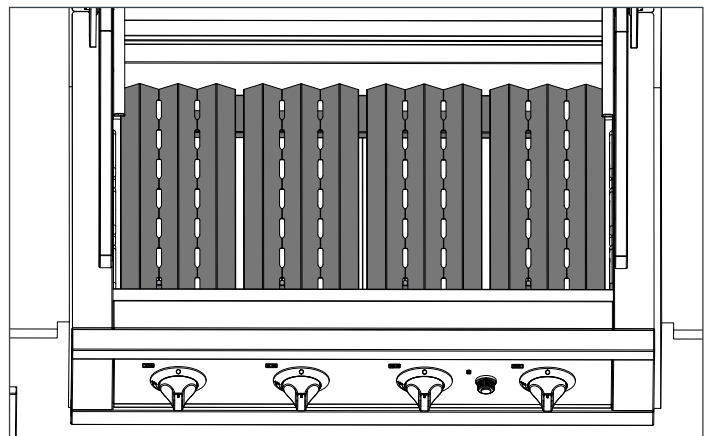
1 Installez le panneau pare-flammes sur le dessus du brûleur.



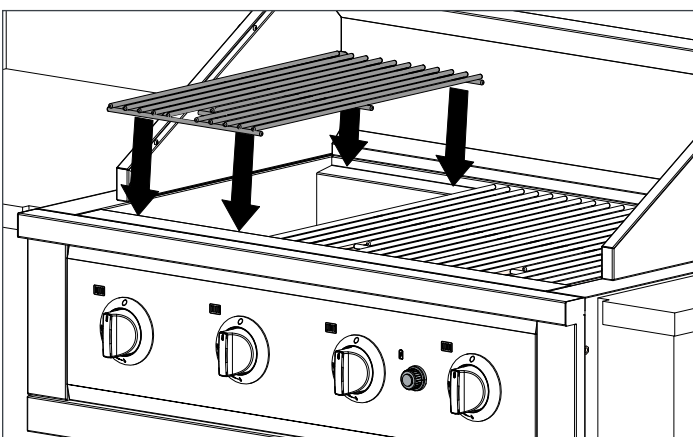
2 Assurez-vous que le panneau pare-flammes repose correctement sur les goujons, comme indiqué ci-dessous.



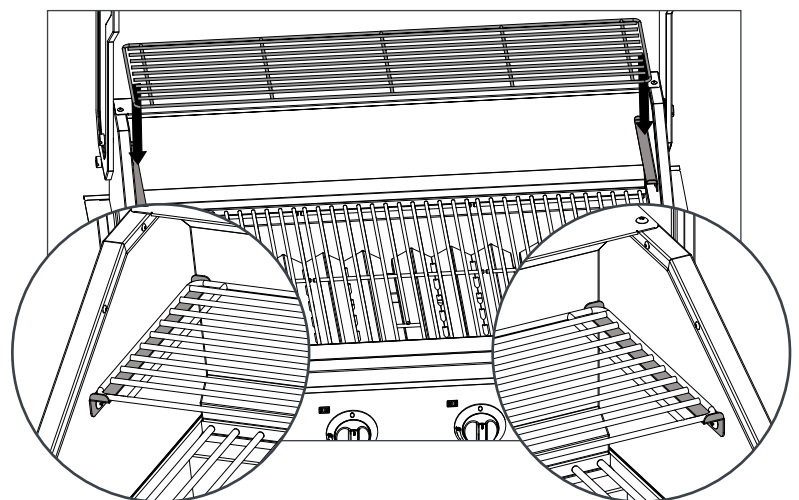
3 De la même manière, installez les autres panneaux pare-flammes.



4 Installez les trois grilles de cuisson sur les panneaux pare-flammes et le brûleur de saisie comme indiqué.

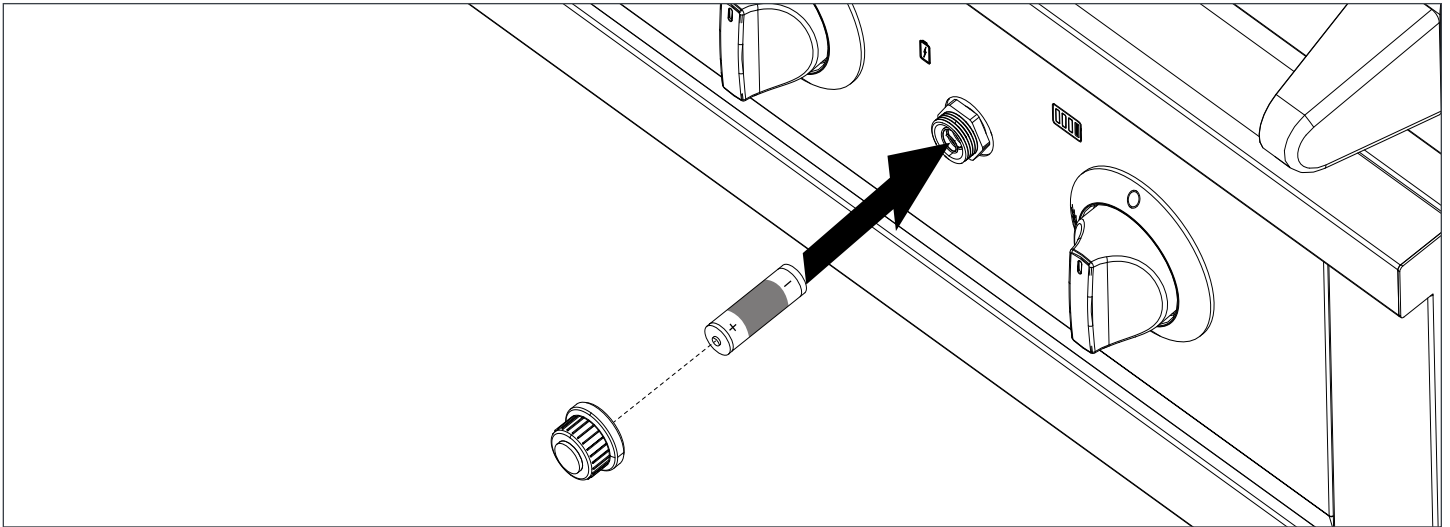


5 Installez la grille réchauffage en la plaçant sur les supports fournis.

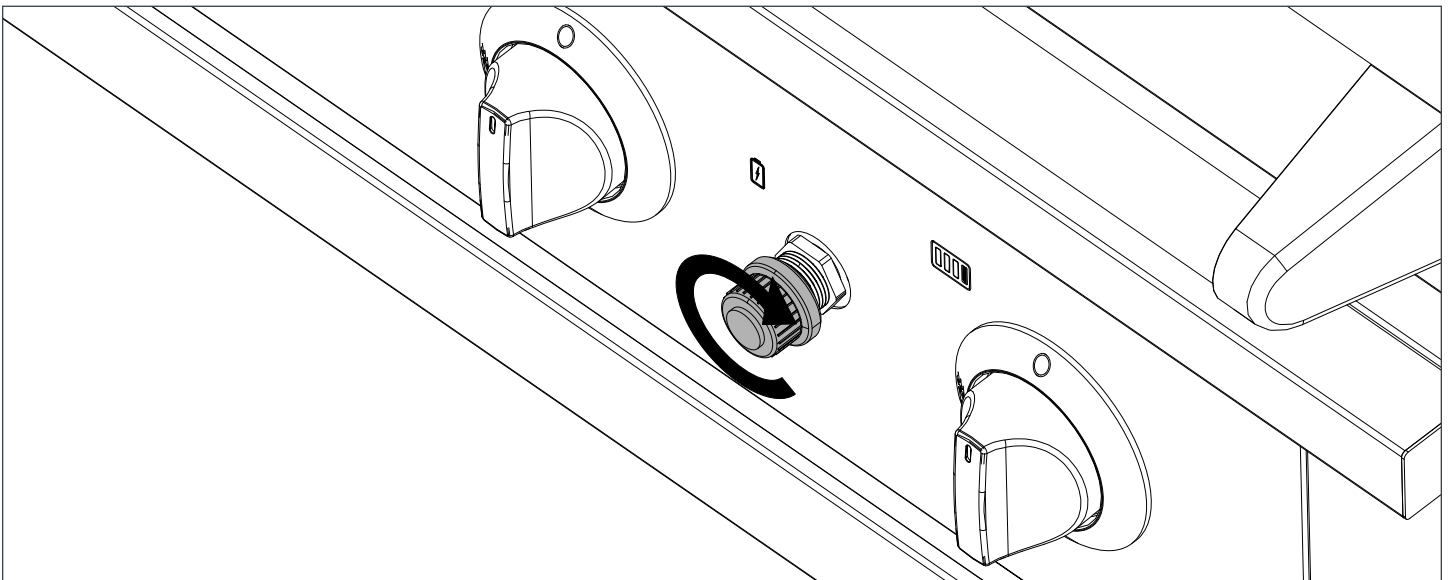


Assemblage du gril

- 6** Insérez la pile AA dans le boîtier à piles du dispositif d'allumage à impulsion. Puis, fermez-le en serrant le bouton sur les filets dans le sens des aiguilles d'une montre, comme indiqué.



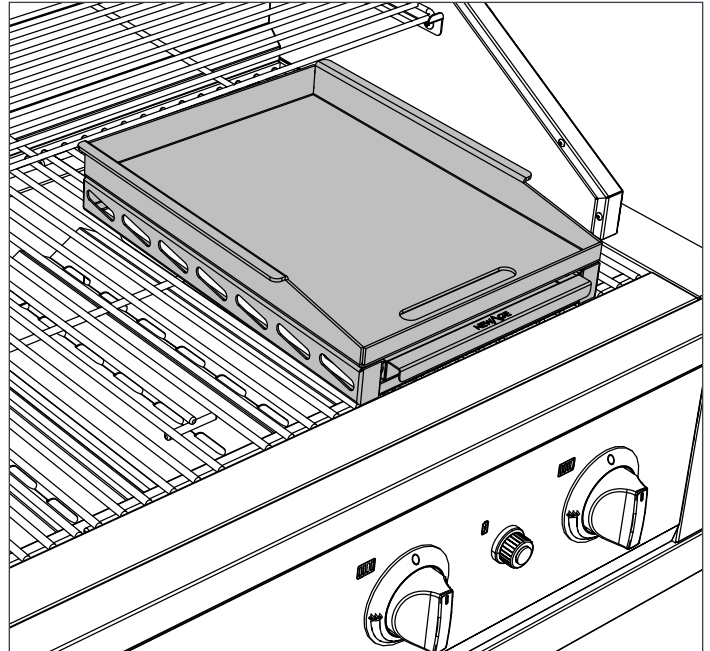
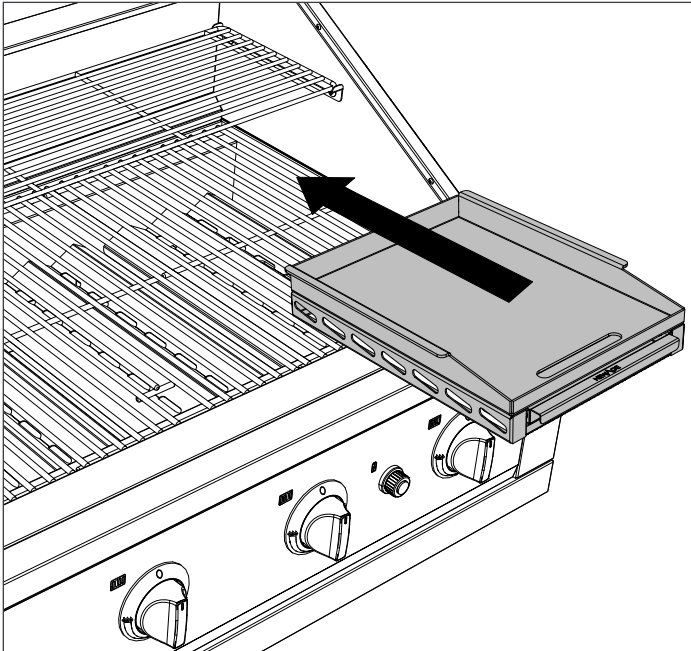
REMARQUE : La pile AA n'est pas incluse dans l'emballage.



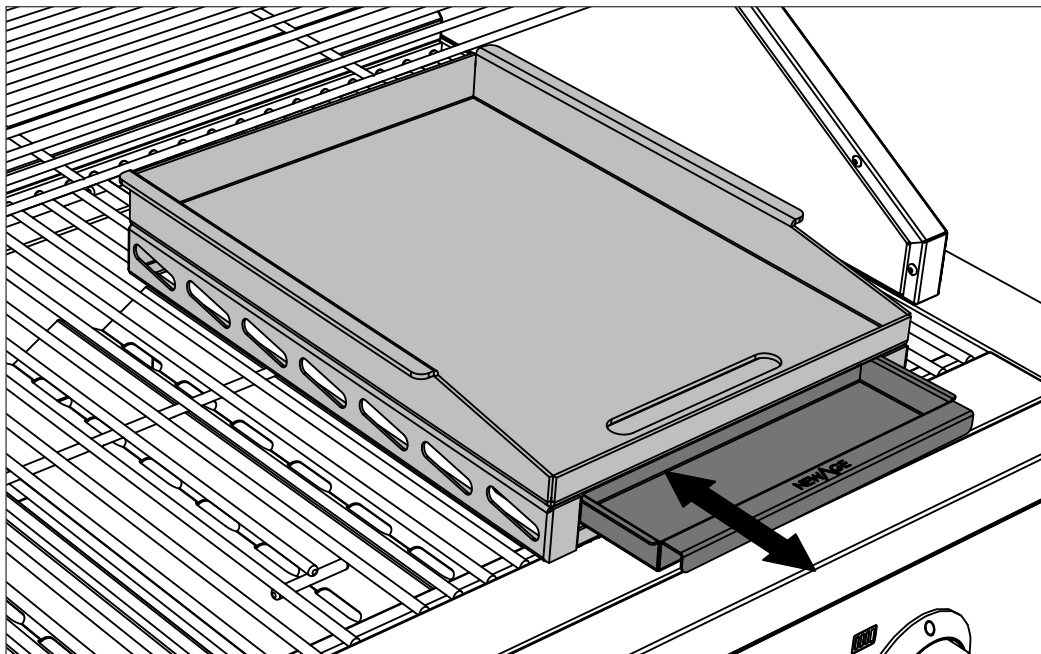
Accessoires optionnels

Installation de la plancha

1 Placez la plancha sur le dessus des grilles de cuisson comme indiqué ci-dessous.



i Le bac à graisse peut être glissé à l'intérieur ou à l'extérieur de la plancha pour enlever la graisse collectée.



⚠ AVERTISSEMENT

- Pendant l'utilisation, la plancha devient extrêmement chaude et doit être manipulée avec précaution. Veillez à laisser la plancha refroidir pendant au moins 30 minutes avant de retirer le bac à graisse pour le nettoyer.
- Ne fermez pas le couvercle lors de la cuisson sur la plancha.
- Ne remplissez pas trop le bac à graisse et nettoyez-le après chaque utilisation.

Accessoires optionnels

Installation de la boîte de fumaison

REMARQUE

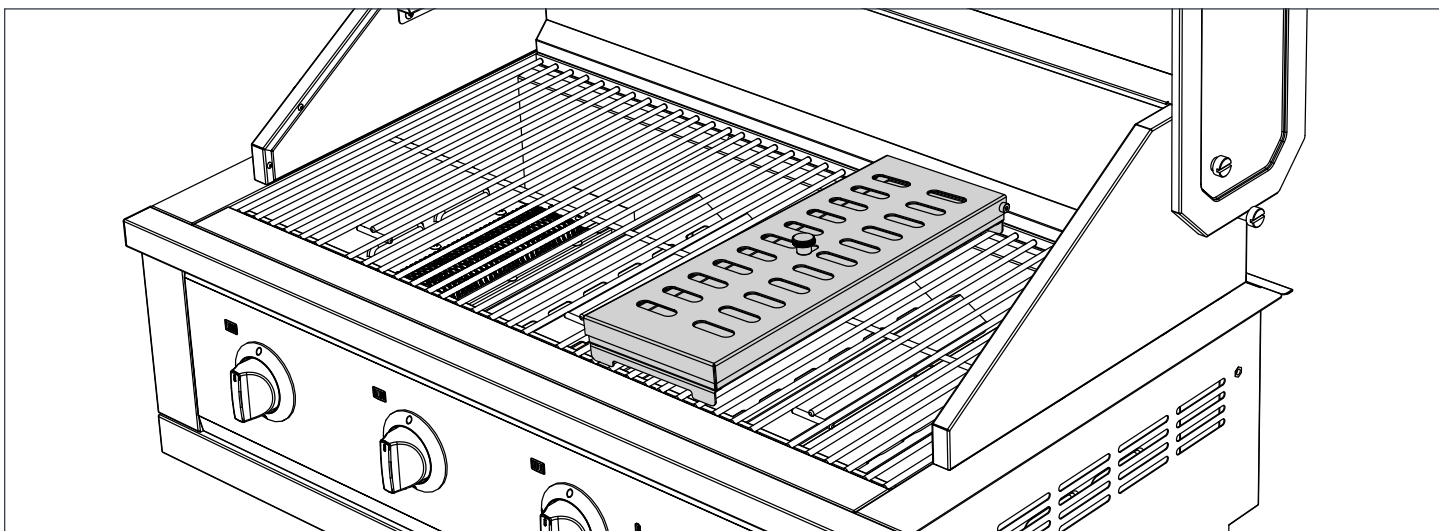
- Ne mettez pas plus de 0,2 kg (0,4 lb) de copeaux de bois dans la boîte de fumaison pour fumer.
- Ne versez pas plus d'un demi-litre de liquide pour humidifier la viande.
- Ne placez pas la boîte de fumaison sur le brûleur de saisie.
- Pour un bon rendement de la fumée, faites tremper les copeaux de bois pendant au moins 30 minutes, égouttez l'excès de liquide et remplissez complètement le plateau de la boîte.
- Pour améliorer les performances de la fumée, gardez le couvercle fermé autant que possible pendant que les aliments sont grillés.

⚠ AVERTISSEMENT

S'ils ne sont pas bien trempés, les copeaux de bois s'enflamment pendant la cuisson. Pour éteindre les flammes, fermez les robinets, ouvrez le couvercle et laissez le feu s'éteindre.

TYPE DE BOIS	ARÔME	SMOKE INTENSITY	EXCELLENT POUR					
			BOEUF	POULET	PORC	FRUITS DE MER	CUISSON AU FOUR	LÉGUMES
Pommier	Fumé sucré			•	•		•	•
Érable	Fumé prononcé		•		•		•	•
Aulne	Fumé aigre		•	•	•	•	•	•
Pacanier	Riche, sucré, polyvalent		•	•	•		•	•
Chêne	Fumé puissant		•			•	•	
Hickory	Fumé puissant		•	•	•			•
Prosopis	Fumé puissant		•	•		•		
Vigne	Fumé fort		•	•	•	•		

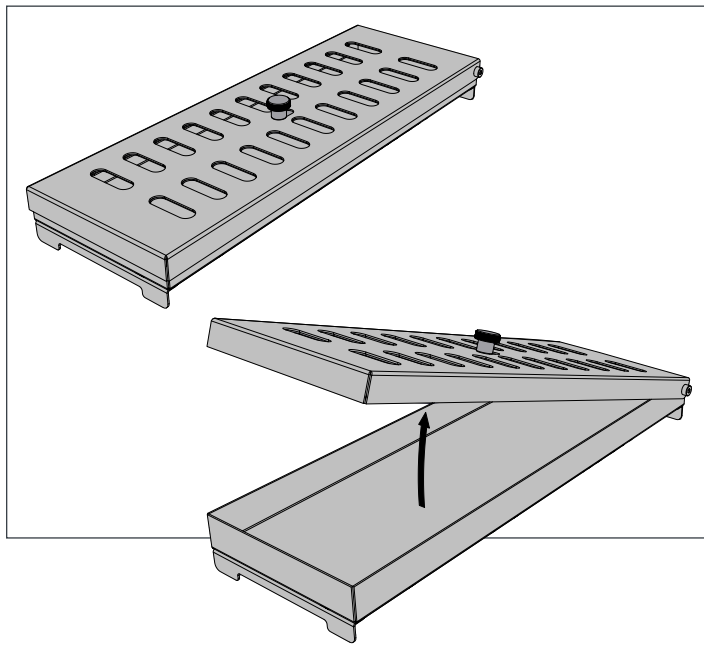
1 Placez la boîte à fumaison sur les grilles du gril à l'endroit désiré.



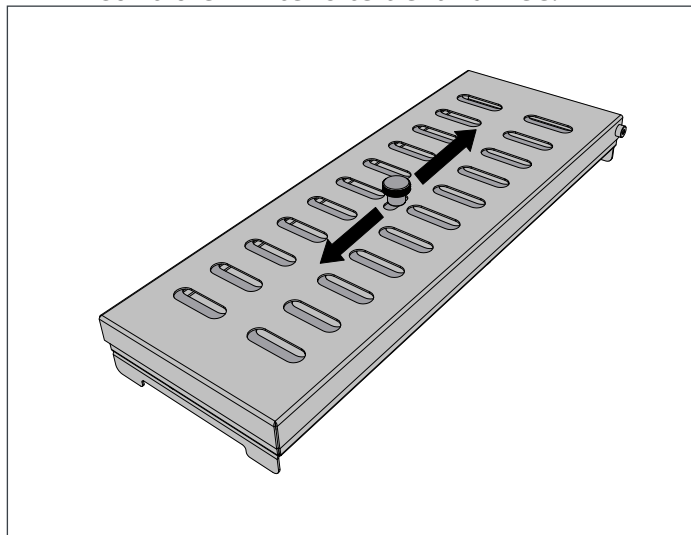
Accessoires optionnels

Installation de la boîte de fumaison

i Ouvrez le fumoir pour ajouter des copeaux de bois ou une boisson quelconque.



i Il est possible de régler les événements pour la fumée en faisant glisser le bouton pour contrôler l'intensité de la fumée.



Instructions pour l'installateur (monteur d'installation au gaz)

Purge de la conduite de gaz

Vous devez purger la conduite de gaz de son air avant de tenter d'allumer le gril.

- Assurez-vous que toutes les commandes du gril se trouvent dans la position « OFF ».
- Allumez lentement l'alimentation principale en gaz.
- Ouvrez le couvercle pendant toute la procédure de purge.
- Enfoncez les boutons de commande (ne les tournez pas) du brûleur de rôtisserie et du brûleur le plus à droite pendant environ 20 secondes pour permettre à l'air du système de se purger. Ces derniers sont les plus éloignés de la source de carburant et purgeront complètement les conduites. Relâchez les boutons de commande. Attendez au moins 5 minutes après avoir relâché la commande avant de tenter d'allumer les brûleurs.

Instructions pour le branchement du gaz

RACCORDEMENT AU GAZ PROPANE INTÉGRÉ : La tuyauterie jusqu'au gril à gaz est la responsabilité de l'installateur et la tuyauterie doit être située comme indiqué dans les instructions d'installation. N'utilisez pas de tuyau flexible pour raccorder l'appareil, sauf pour connecter le régulateur de la bouteille au système de tuyauterie. Il doit être raccordé à un tuyau rigide, un tube de cuivre ou un connecteur métallique flexible approuvé conforme à la norme ANSI Z21.24/CSA 6.10 ou ANSI Z21.75/CSA 6.27.

L'installation doit être conforme à la norme CAN B149.1 Natural Gas and Propane installation code au Canada ou au National Fuel Gas code, ANSI Z223.1 aux États-Unis. Le tuyau d'alimentation en gaz doit être suffisamment dimensionné pour fournir les BTU/h indiqués sur la plaque signalétique en fonction de la longueur de la tuyauterie. Si vous installez un brûleur latéral, une conduite séparée doit être bifurquée vers le brûleur latéral et entrer dans l'ouverture du brûleur latéral à l'endroit indiqué. Si l'enceinte doit abriter une bouteille de propane, la partie réservoir de l'enceinte doit être ventilée conformément aux codes locaux et ne doit pas communiquer avec la cavité utilisée pour accueillir le gril à gaz. Une bouteille de propane ne peut pas être stockée sous le gril à gaz.

ENCEINTES POUR BOUTEILLE INTÉGRÉES : Les enceintes pour bouteille intégrées qui renferment complètement la bouteille doivent présenter les deux caractéristiques suivantes :

1. Au moins une ouverture de ventilation non obstruée sur le côté extérieur exposé de l'enceinte, située à moins de 127 mm (5 po) du haut de l'enceinte. L'ouverture doit avoir une surface libre totale de plus de 130 cm² (20 po²) pour une bouteille de 9,1 kg (20 lb).
2. Au moins une ouverture de ventilation sur le côté extérieur exposé de l'enceinte, située à 25,4 mm (1 po) ou moins du niveau du sol. L'ouverture doit avoir une surface libre totale de plus de 130 cm² (130 cm²) pour une bouteille de 9,1 kg (20 lb). Le bord supérieur ne doit pas se trouver à plus de 127 mm (5 po) au-dessus du sol.

Chaque ouverture doit être suffisamment grande pour permettre l'entrée d'une tige de 3,2 mm (1/8 po).

- Le(s) robinet(s) de la bouteille doit (doivent) être facilement accessible(s) pour une utilisation manuelle. Une porte sur l'enceinte permettant d'accéder aux robinets des cylindres est acceptable, à condition qu'elle ne soit pas verrouillée et qu'elle puisse être ouverte sans l'aide d'outils.
- L'enceinte de la bouteille de propane doit isoler la bouteille du compartiment du brûleur pour assurer un blindage contre les radiations, une barrière contre les flammes et une protection contre les matières étrangères, telles que les égouttures chaudes.
- Il doit y avoir un dégagement minimum de 51 mm (2 po) entre le sol de l'enceinte de gaz propane et le sol.
- L'enceinte doit être conçue de manière à ce que la bouteille de gaz propane puisse être connectée, déconnectée et que les connexions puissent être inspectées et testées à l'extérieur de l'enceinte de la bouteille. Toute connexion qui peut être perturbée lors de l'installation de la bouteille dans l'enceinte doit être accessible pour les essais à l'intérieur de l'enceinte.
- Un seul réservoir de 20 livres en service doit être utilisé avec le gril.

Installation de propane

Spécifications des bouteilles de propane

Si l'appareil à gaz est alimenté en propane à partir d'une bouteille portable, un régulateur spécifié par le fabricant doit être utilisé. Le régulateur doit fournir une pression de 11 pouces de colonne d'eau (0,39 lb/po²) au gril à gaz et avoir un raccord de type QCC1. Les bouteilles à utiliser avec cet appareil doivent être fournies avec un robinet de bouteille QCC1. Une bouteille QCC1 a un raccord à siège positif qui ne permettra pas l'écoulement du gaz tant qu'un joint positif n'aura pas été obtenu. Elle est également équipée d'un dispositif de débit excédentaire. Afin d'atteindre un débit maximal vers le gril, les robinets doivent être en position fermée lorsque le robinet de la bouteille est ouvert.

Une bouteille bosselée ou rouillée peut être dangereuse et doit être vérifiée par votre fournisseur de propane. N'utilisez jamais une bouteille dont le robinet est endommagé. Utilisez uniquement une bouteille de propane fabriquée et marquée conformément aux spécifications pour les bouteilles de gaz propane de la Norme nationale du Canada, CAN/CSA-b339, bouteilles, sphères et tubes pour le transport des marchandises dangereuses ; et de la Commission, selon le cas, ou aux spécifications pour les bouteilles de gaz propane du Département américain des transports (D.O.T.).

La bouteille de propane doit être munie d'un dispositif de raccordement de la bouteille compatible avec le raccordement des appareils de cuisson extérieurs. La bouteille de propane doit être munie d'un robinet de sectionnement se terminant par un robinet de bouteille de propane de type QCC1, et d'un dispositif de décharge de sécurité ayant une communication directe avec l'espace vapeur de la bouteille. Le système d'alimentation de la bouteille doit être conçu pour le retrait des vapeurs et la bouteille doit comporter un collier pour protéger le robinet de la bouteille. La bouteille doit comporter un OPD (dispositif de protection contre le remplissage excessif) homologué. Ne rangez pas de bouteille de gaz propane de rechange sous ou à proximité de cet appareil. Ne remplissez jamais la bouteille au-delà de 80 % de sa capacité. **Si les informations précédentes ne sont pas suivies à la lettre, un incendie causant la mort ou des blessures graves peut se produire.**

AVERTISSEMENT

Ne changez pas l'ensemble de régulateur/tuyau ou n'utilisez pas d'autre ensemble que celui fourni avec votre brûleur d'appoint NewAge.

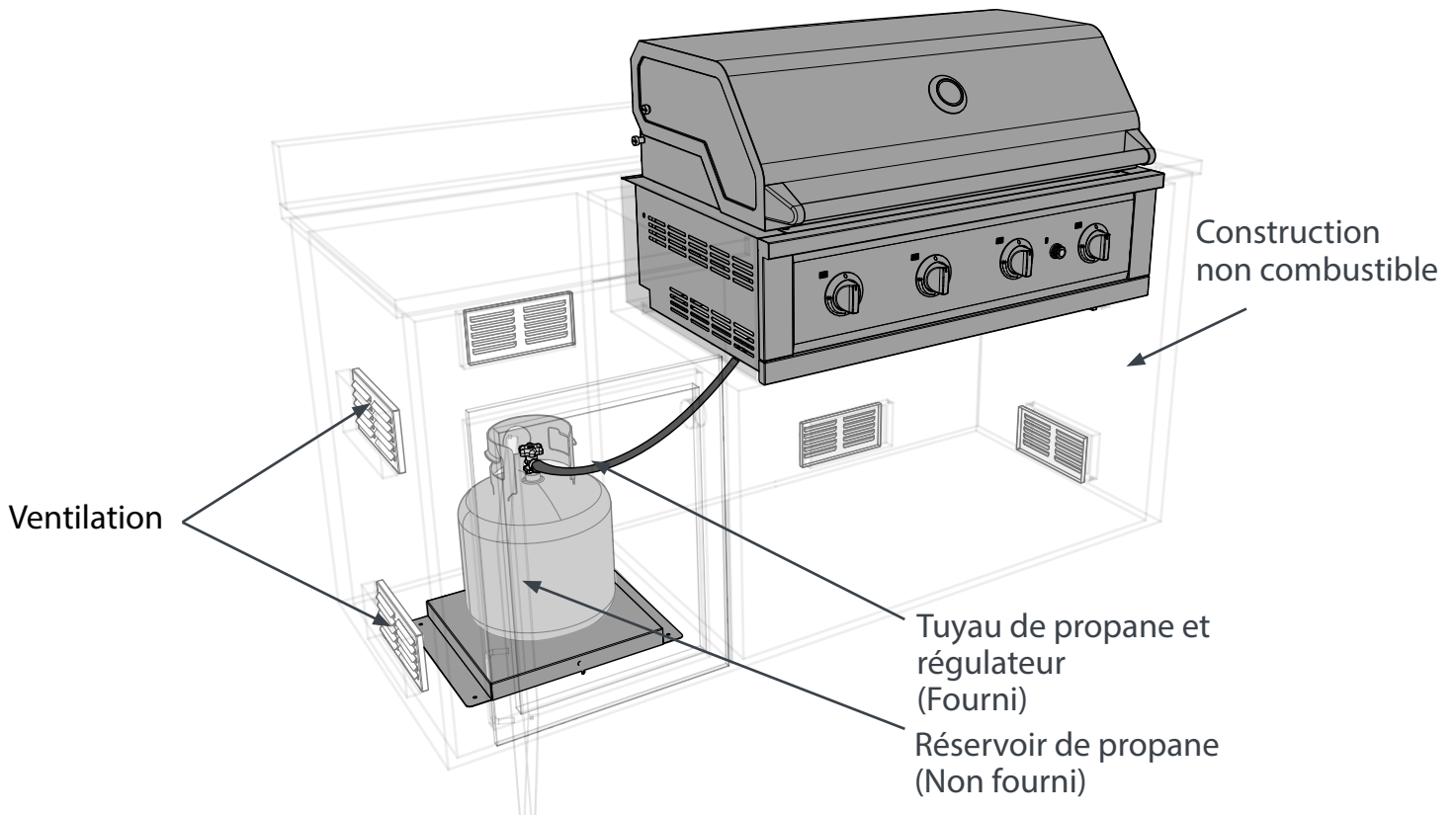
N'essayez pas d'utiliser un ensemble de régulateur/tuyau équipé de 5LP-A avec un ensemble de bouteille/robinet standard 510 POL.

Ne rangez pas de bouteille de gaz propane de rechange sous ou à proximité de cet appareil.

Ne remplissez jamais la bouteille au-delà de 80 % de sa capacité.

Si les informations ci-dessus ne sont pas suivies à la lettre, un incendie causant la mort ou des blessures graves peut se produire.

Installation de propane



Connexions des bouteilles de gaz propane

Assurez-vous que le robinet de la bouteille de gaz propane est complètement fermé. Il est possible d'ouvrir le robinet sans libérer de gaz, mais, dès que vous commencez à raccorder le régulateur, du gaz s'échappe de la connexion.

Insérez l'entrée du régulateur dans le robinet de la bouteille et tournez l'écrou noir du coupleur dans le sens des aiguilles d'une montre jusqu'à ce que l'écrou du coupleur soit serré à la main. Ne serrez pas ce raccord de façon excessive. Consultez les figures 1 et 2.

Pour déconnecter l'écrou du coupleur, assurez-vous d'abord que le robinet principal de la bouteille est fermé. Saisissez l'écrou du coupleur et tournez dans le sens inverse des aiguilles d'une montre. L'entrée se désengagera alors.

Testez toujours l'étanchéité du raccord après avoir rempli ou échangé des bouteilles de gaz propane. (Consultez le test de fuite.)

Installation de propane

Connexions des bouteilles de gaz propane

Capuchon anti-poussière - Mettre un bouchon antipoussière sur la sortie du robinet d'une bouteille qui n'est pas utilisée. Utiliser uniquement le type de bouchon antipoussière fourni avec le robinet de la bouteille. D'autres types de bouchons pourraient ne pas être étanches et permettre des fuites de propane.

La bouteille de propane doit comporter un collier pour protéger le robinet de la bouteille

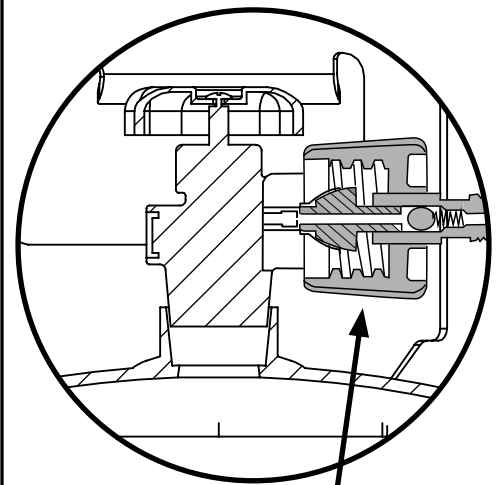
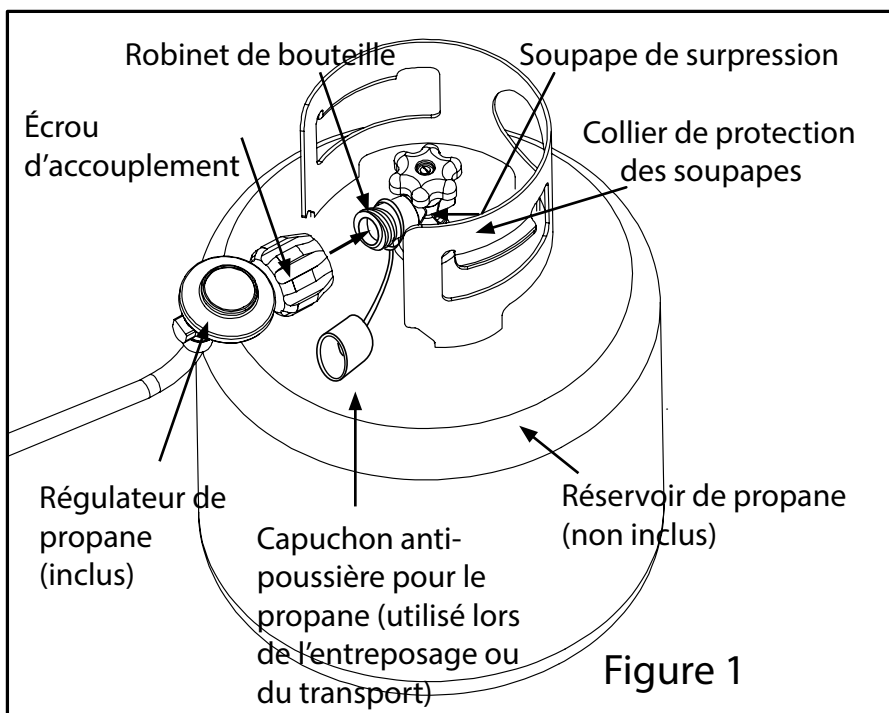


Figure 2

Serrez à la main pour assurer une bonne étanchéité et un débit de gaz correct.

Installation de propane

Exigences pour les bouteilles de gaz propane

La bouteille de gaz propane doit être fabriquée et marquée conformément aux spécifications du ministère américain des transports (DOT) relatives aux bouteilles de gaz propane et conçue pour être utilisée avec un système de type 1 uniquement.

Les bouteilles des brûleurs d'appoint autonomes doivent être fixées à l'aide du système de retenue des bouteilles fourni afin d'éviter tout mouvement accidentel.

Lorsque vous échangez votre bouteille contre une recharge, ne l'échangez que contre une bouteille de type 1 -20 lb avec un dispositif de protection contre le remplissage excessif.

N'utilisez jamais une bouteille dont le robinet est endommagé.

Une bouteille de gaz propane bosselée ou rouillée peut être dangereuse et doit être évitée. En cas de doute, faites-la vérifier par votre fournisseur de gaz propane.

Vérifiez toujours les fuites après chaque changement de bouteille de gaz propane.

Coupez toujours l'alimentation en gaz propane au niveau de la bouteille lorsque le gril n'est pas utilisé.

Les bouteilles doivent être stockées à l'extérieur, dans un endroit bien ventilé, hors de portée des enfants. Si votre gril est entreposé à l'intérieur, la bouteille de gaz propane doit être détachée du gril et entreposée à l'extérieur.

La mise en place du brûleur d'appoint pour le gaz propane est équipée d'un ensemble de tuyau de gaz propane/régulateur pour le raccordement à une bouteille de gaz propane standard de 20 livres. (Type 1). Tous les raccords nécessaires pour fixer l'ensemble au gril sont inclus.

Ne connectez jamais une conduite de gaz non régulée au gril.

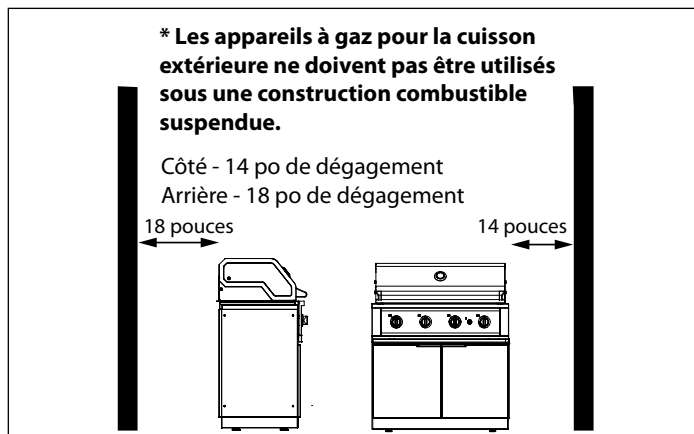
Installation de propane

! AVERTISSEMENT

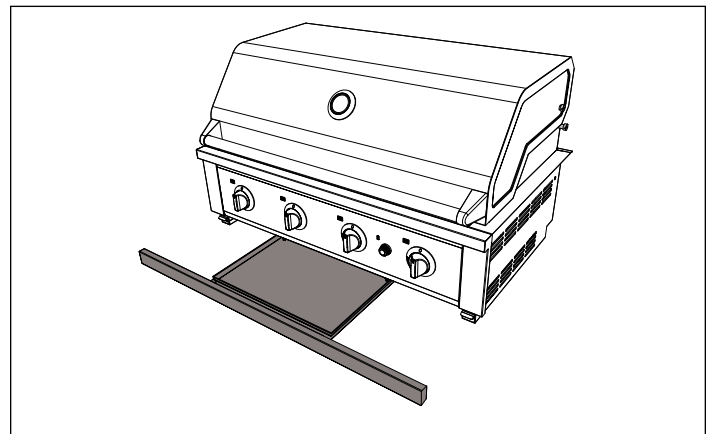
- Ne raccordez jamais une conduite de gaz directement au brûleur d'appoint. Un régulateur de pression doit être installé sur tous les appareils à gaz. Le fait de retirer ou de ne pas installer le régulateur de pression peut provoquer un incendie et des blessures graves, et annulera la garantie.
- Ne changez pas l'ensemble de régulateur/tuyau ou n'utilisez pas d'autre ensemble que celui fourni avec votre brûleur d'appoint NEWAGE.
- Ne rangez pas de bouteille de gaz propane de recharge sous ou à proximité de cet appareil.
- Ne remplissez jamais la bouteille au-delà de 80 % de sa capacité.



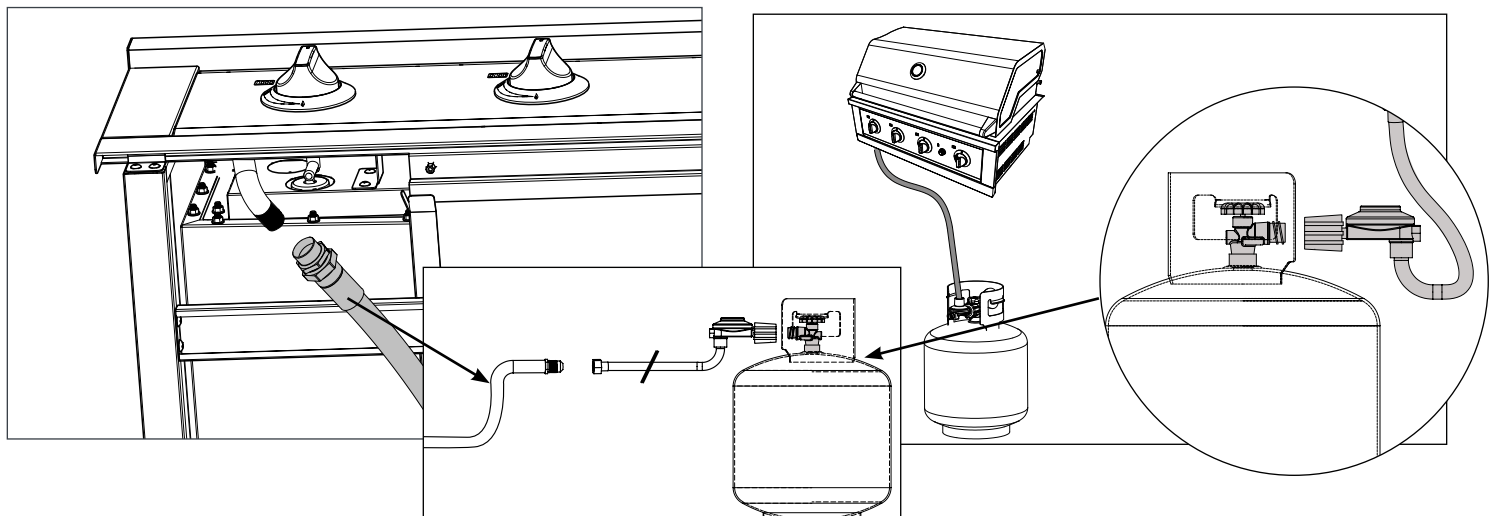
AVERTISSEMENT! Le gril et le meuble doivent avoir un dégagement minimal par rapport aux matériaux combustibles. Consultez l'illustration pour les dimensions.



1 Retirez le bac à graisse.



2 Connectez une extrémité du régulateur de type QCC1 et du tuyau à l'entrée du collecteur et à l'autre extrémité avec le volant du régulateur de type 1 au réservoir. Dans le sens horaire pour serrer, dans le sens antihoraire pour desserrer.



Instructions pour les tests de fuite

⚠ AVERTISSEMENT



Cela doit être fait avant la première utilisation, chaque année, et chaque fois que des composants du gaz sont remplacés ou entretenus. Ne fumez pas pendant ce test et éliminez toute source d'allumage. Consultez le diagramme des tests de fuite pour connaître les zones à vérifier. N'effectuez jamais de test de fuite en utilisant du feu ou une flamme. Les étincelles ou les flammes nues entraîneront un incendie ou une explosion, des dommages matériels, des blessures corporelles graves ou la mort.

Tests de fuite de gaz



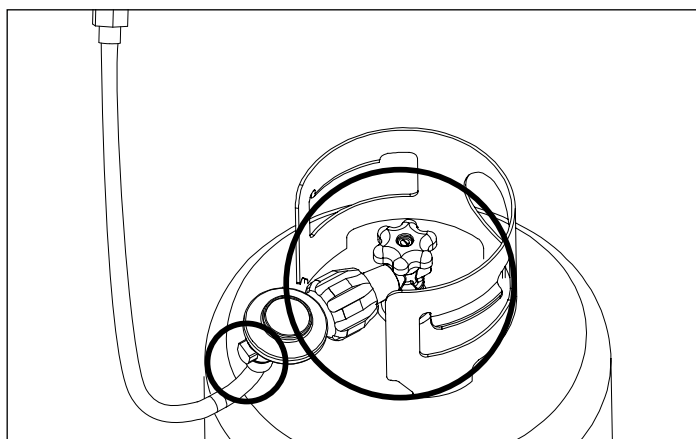
Assurez-vous que tous les boutons de commande sont dans la position d'arrêt.

Allumez l'alimentation en carburant.

- Pour le gaz propane, tournez le bouton du robinet de la bouteille d'un tour complet dans le sens inverse des aiguilles d'une montre.

Ou pulvérisez une solution composée de 50% de savon liquide et de 50% d'eau sur tous les joints et raccords du régulateur, du tuyau, des collecteurs et des vannes.

Des bulles indiquent une fuite de gaz. Coupez IMMÉDIATEMENT l'alimentation en gaz. Consultez la page suivante pour « Réparer une fuite de gaz »



Gaz propane

Schéma de tests de fuite



Vaporisateur
ou
Pinceau



Instructions pour les tests de fuite

Réparer une fuite de gaz

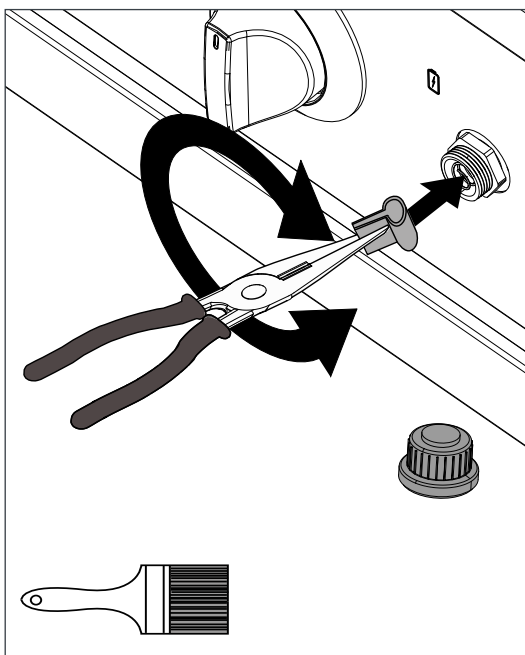
- Coupez l'alimentation en gaz.
- Mettez toutes les commandes du gril en position « ON » pour purger le gril de toute accumulation de gaz, puis remettez les commandes en position « OFF ».
- Lavez la solution savonneuse à l'eau froide et séchez.
- Serrez le joint desserré ou remplacez la pièce défectueuse par des pièces de rechange recommandées par le fabricant.
- N'essayez pas de réparer le robinet de la bouteille de gaz propane s'il est endommagé. La seule façon de réparer en toute sécurité une bouteille endommagée est de LA REMPLACER.
- Répétez le test de fuite pour vous assurer qu'il n'y a pas de fuite.
- Si la fuite ne peut être colmatée, coupez immédiatement l'alimentation en gaz, débranchez-la et faites inspecter le gril par un installateur ou un revendeur de gaz agréé. N'utilisez pas le gril tant que la fuite n'a pas été corrigée.

Entretien des piles AA

⚠ AVERTISSEMENT

- Vous devez lire les instructions suivantes avant d'utiliser des piles sèches AA pour le Brûleur Latéral. Si vous ne lisez pas et ne suivez pas les instructions ci-dessous, cela pourrait entraîner un incendie, des blessures corporelles et des dommages matériels en cas d'utilisation incorrecte.
- N'insérez PAS de pile sèche AA usagée dans le compartiment à piles du dispositif d'allumage à impulsion.
- Conservez toujours les piles AA dans leur emballage d'origine ou placez-les dans un récipient en plastique.
- Conservez les piles dans un endroit frais et peu humide et veillez à ce qu'elles soient alignées selon la polarité adéquate.
- Dans le cas d'une pile sèche AA rechargeable, n'effectuez JAMAIS de connexion de polarité incorrecte pendant la charge et la décharge de la pile.
- Dans le cas d'une utilisation inadéquate, les produits chimiques nocifs contenus dans la batterie peuvent sortir et endommager le compartiment à piles du dispositif d'allumage à impulsion.
- NE placez PAS et n'insérez pas de produit chimique ou de matériau inflammable à l'intérieur du compartiment à piles du dispositif d'allumage à impulsion pour le nettoyer. Tout type de produit chimique ou de matériau inflammable à proximité du Brûleur Latéral peut provoquer un incendie dangereux à l'endroit où le Brûleur Latéral est placé.
- N'entrez PAS en contact direct avec le produit chimique au cas où il serait déversé hors du compartiment à piles. Il pourrait causer une allergie en contact avec le corps.

Nettoyage du compartiment à piles du dispositif d'allumage à impulsion :



Le nettoyage du compartiment à piles est indispensable lorsque la batterie ne fonctionne pas correctement ou que l'on constate que des produits chimiques s'échappent. Maintenez toujours tous les boutons du brûleur et les robinets de la source de combustible en position OFF avant de commencer le processus de nettoyage du compartiment à piles.

1. Lisez attentivement les « Instructions pour les tests d'étanchéité » et les « Pratiques d'utilisation sécuritaires » avec toute l'attention requise.
2. Assurez-vous que tous les boutons de commande sont réglés à la position OFF.
3. Tournez le bouton du dispositif d'allumage à impulsion dans le sens inverse des aiguilles d'une montre et retirez la pile sèche AA.
4. À l'aide d'une brosse ou d'un chiffon propre, retirez les débris et le carbone noir décomposé sur le ressort et les faces internes comme indiqué.
5. Insérez une nouvelle pile AA en respectant le positionnement polaire adéquat (pôles positif et négatif) de la pile comme indiqué dans la section « Installation des pièces principales du Brûleur Latéral ».
6. Fermez le compartiment à piles AA du dispositif d'allumage à impulsion à l'aide du bouton et serrez-le en le faisant pivoter dans le sens des aiguilles d'une montre.

Liste de contrôle précédent la cuisson.

Avant la PREMIÈRE utilisation, assurez-vous que :

1. Tous les emballages et matériaux d'emballage ont été retirés du gril et des brûleurs
2. Vous avez une alimentation en carburant connectée.
3. Toutes les parties électriques sont connectées.
4. Un monteur d'installations au gaz license a effectué un test d'étanchéité sur tous les raccords qui alimentent le gril en combustible.
5. Si votre gril ne s'allume pas en 4-5 secondes, vous devrez peut-être purger la conduite. (consultez la section sur la purge de la conduite)
6. Avant de cuisiner sur votre gril à gaz pour la première fois, il faut réaliser un brûlage. Il s'agit d'une procédure unique qui permet d'éliminer les odeurs ou les matières étrangères causées par le processus de fabrication. Pour ce faire, ouvrez le couvercle et allumez les brûleurs, fermez le couvercle et opérez sur « MAX » pendant 5 à 10 minutes. Vous pouvez alors soit régler les commandes sur « OFF », soit cuire immédiatement sur votre gril en tournant les boutons de commande sur un réglage inférieur.

AVERTISSEMENT

- **N'essayez jamais d'allumer un brûleur si vous sentez une odeur de gaz.**
- **Gardez toujours le couvercle ouvert lorsque vous allumez votre gril.**
- **Le fait de libérer du combustible dans un gril fermé avant l'allumage augmente le risque d'explosion, de dommages matériels, de blessures ou de décès.**
- **Gardez votre visage et votre corps aussi loin que possible du grill lorsque vous allumez. Chaque fois qu'un brûleur ne s'allume pas dans les 5 secondes, éteignez la commande, attendez 5 minutes que le gaz se dissipe, puis répétez la procédure d'allumage.**
- **NE LAISSEZ JAMAIS LE GRIL SANS SURVEILLANCE PENDANT LA CUISSON.**

Avant chaque utilisation :

Assurez-vous toujours de ce qui suit :

1. Vous ne sentez pas l'odeur du gaz avant d'allumer le gril. Si vous sentez une odeur de gaz, arrêtez tout et faites vérifier les fuites par un installateur license.
2. La zone de cuisson est libre et exempte de tout combustible qui pourrait s'enflammer.
3. Si vous utilisez une bouteille de propane rechargeable, elle est solidement raccordée et a fait l'objet d'un test d'étanchéité. (Consultez la section Tests de fuite)
4. Vous savez où se trouve la principale coupure de l'alimentation en gaz.
5. Les brûleurs sont correctement placés dans le gril. Les brûleurs principaux doivent reposer à plat et fermement sur le cadre de support de montage des brûleurs.
6. Le vent ne souffle pas trop fort ou à l'arrière du gril.

Une fois par saison

- Au début de chaque nouvelle saison de grillades, retirez les grilles et vérifiez que les brûleurs, les venturis, les orifices et les vannes ne sont pas obstrués.
- Les araignées et les insectes nichent souvent dans ces zones du gril et peuvent perturber la circulation de l'air, ce qui endommage le gril et pourrait causer des blessures.
- Vérifiez également tous les tuyaux et les raccords pour voir s'ils sont endommagés, abrasés ou usés.

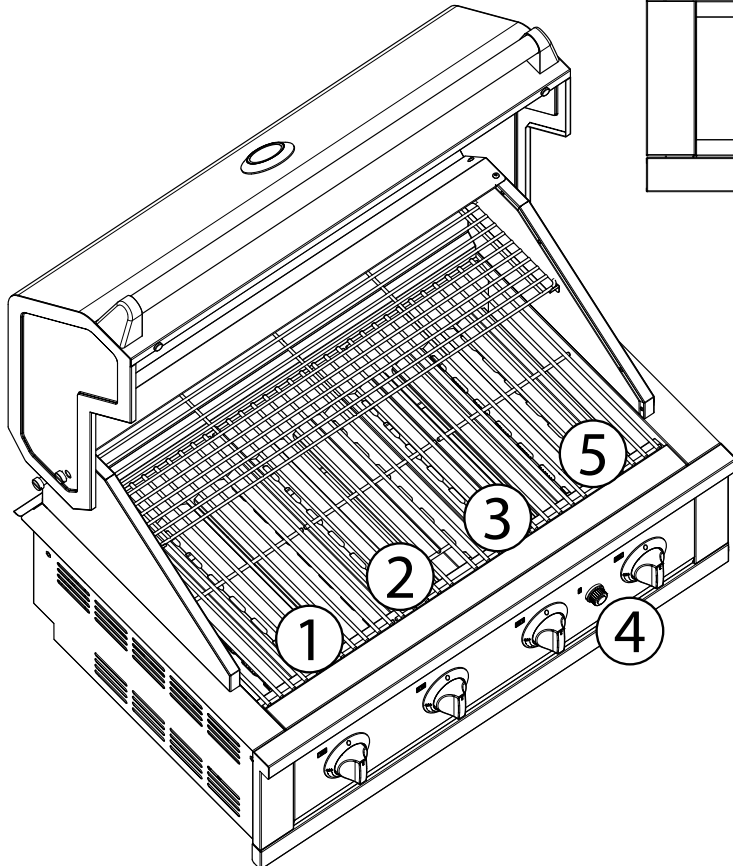
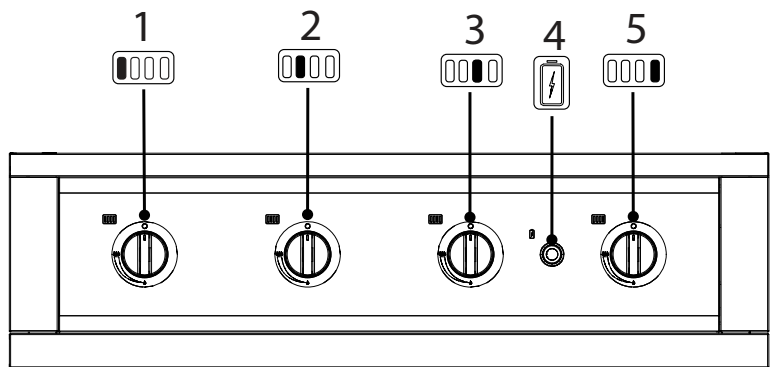
Allumer le gril

⚠ AVERTISSEMENT

- Gardez toujours le couvercle ouvert lorsque vous allumez le gril.
- Ne laissez jamais les enfants sans surveillance autour du gril NewAge. Ne rangez pas les objets qui intéressent les enfants autour ou sous le gril, ou dans le meuble. Ne permettez jamais aux enfants de se glisser à l'intérieur d'un meuble ou d'un boîtier.

⚠ MISE EN GARDE

- N'allumez jamais le gril si vous sentez une odeur de gaz.
- Tenez le visage et les parties du corps éloignés du gril lorsque vous l'allumez. Si le brûleur ne s'allume pas au bout de 5 secondes, éteignez le brûleur, attendez 5 minutes puis répétez la procédure d'allumage.
- Ne laissez pas le gril sans surveillance.



1. Main Burner - Left
2. Main Burner - Middle 1
3. Main Burner - Middle 2
4. Electric Ignition Module - Pulse Ignitor
5. Main Burner - Right

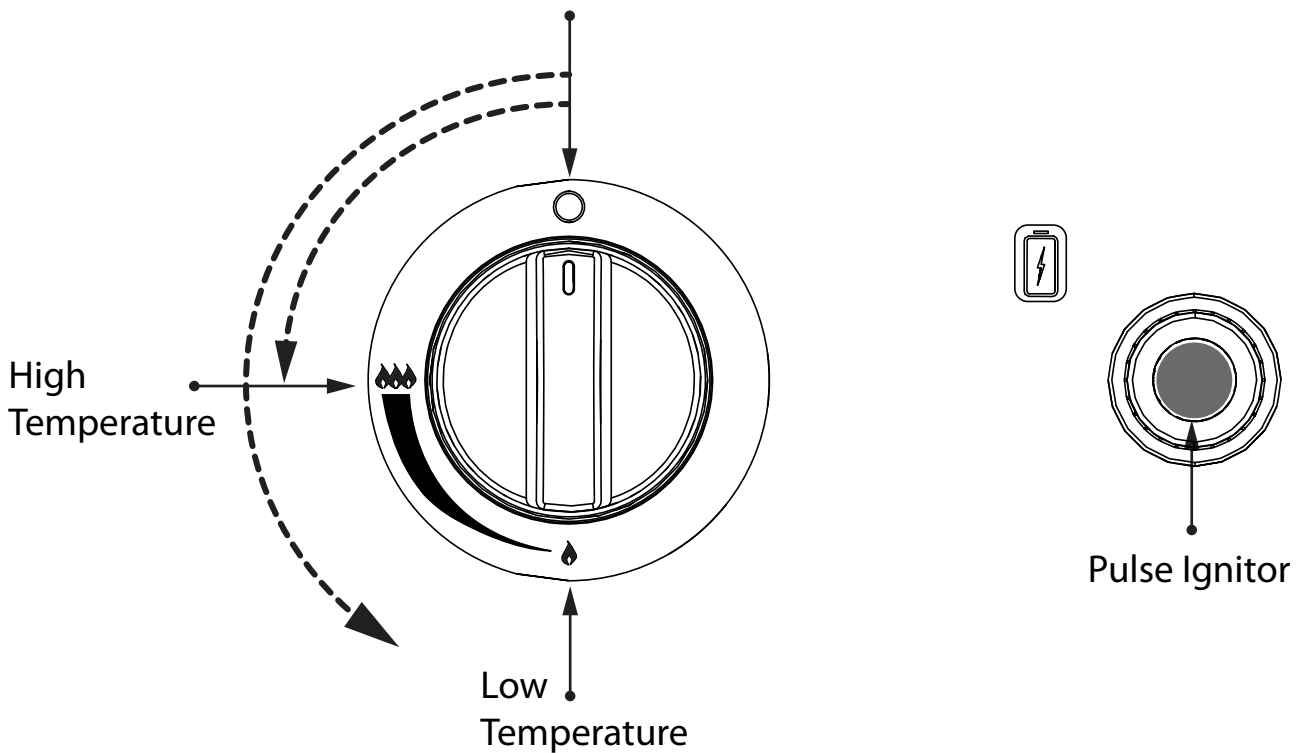
Allumer le grill

⚠ Remarque

- Any of the Burners can be lit first using the Pulse Igniter/ Match. It is upto the customer preference and requirement.
- If Burners does not light or flame is too low, you may have spider or other insect blockage inside or vicinity of the burner holes. See "Replace the Burners" section.
- The IR burner lighting process is similar to that of Main Burners.

Method 1 (Using Pulse Ignitor Button):

1. Read and complete PRE-GRILL checklist.
2. Open lid before lighting burner.
3. Make sure all control knobs are in the "OFF" position.
4. Turn the control knob for the Burner to the "HIGH" position.
5. Press the Pulse Ignitor button and hold for 3–5 seconds to light burner.
6. If ignition does NOT occur in 5 seconds, turn control knob to "OFF", wait 5 minutes to allow gas to dissipate and repeat lighting procedure.
7. To turn off, turn each control knob clockwise until it locks in the "OFF" position. This does not turn off the gas flow from the cylinder.
8. Once the grill is lit, adjust the temperature using the Max -to- Min settings.

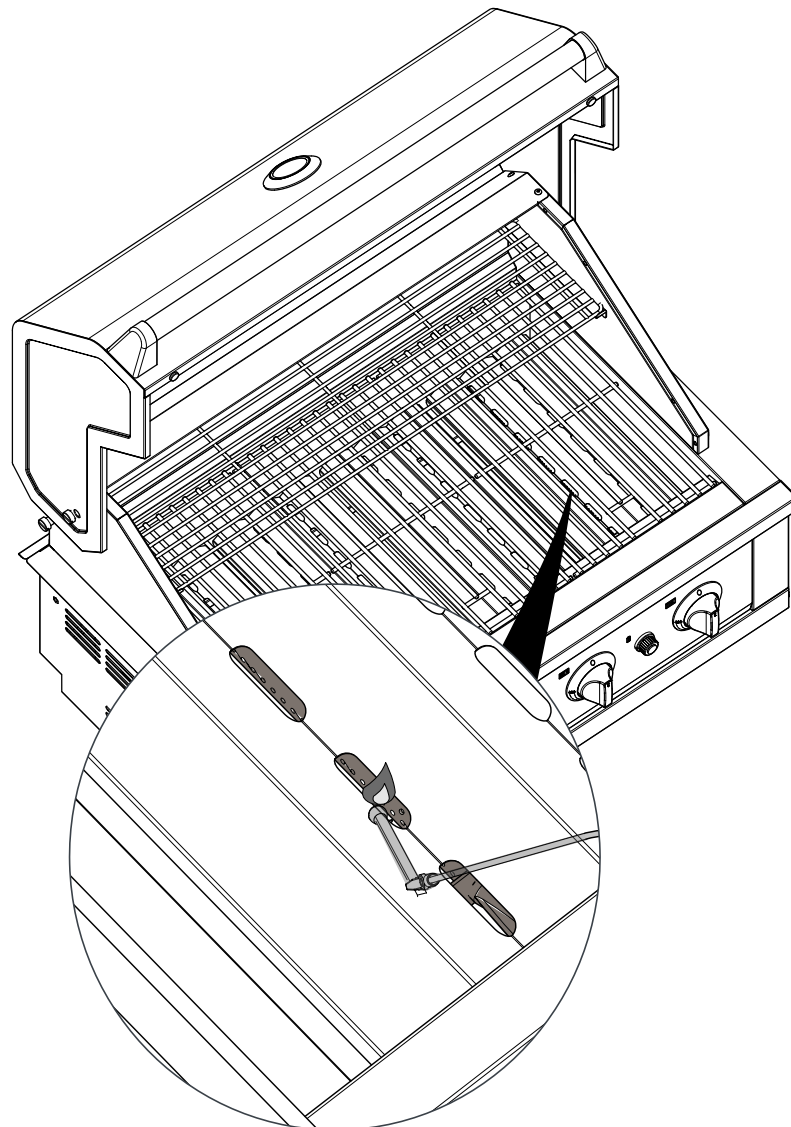


Allumer le grill

Method 2 (Access Holes):

If the burners fail to light after a couple of attempts, it can be lit using the supplied match lighting stick. Follow the steps below for manual grill lighting.

1. Read and complete PRE-GRILL checklist.
2. Make sure all control knobs are set to OFF.
3. Always light grill with lid open.
4. Turn fuel supply ON.
5. Place a match in the alligator clip on the match holder and light the match.
6. Guide the match holder, with lit match, through the access holes on the Flame Tamer Panel and adjacent to the burner.
7. Push the corresponding control knob in and turn it to HIGH to ignite the left burner. Check that the flame is lit by looking through the cooking grates. You should see a flame.
8. Repeat step 5 to 7 for the remaining burners. If any of the burners fails to ignite during the lighting process, within five seconds, stop, turn the burner control knob to OFF and wait five minutes to allow the gas to clear before you try again.

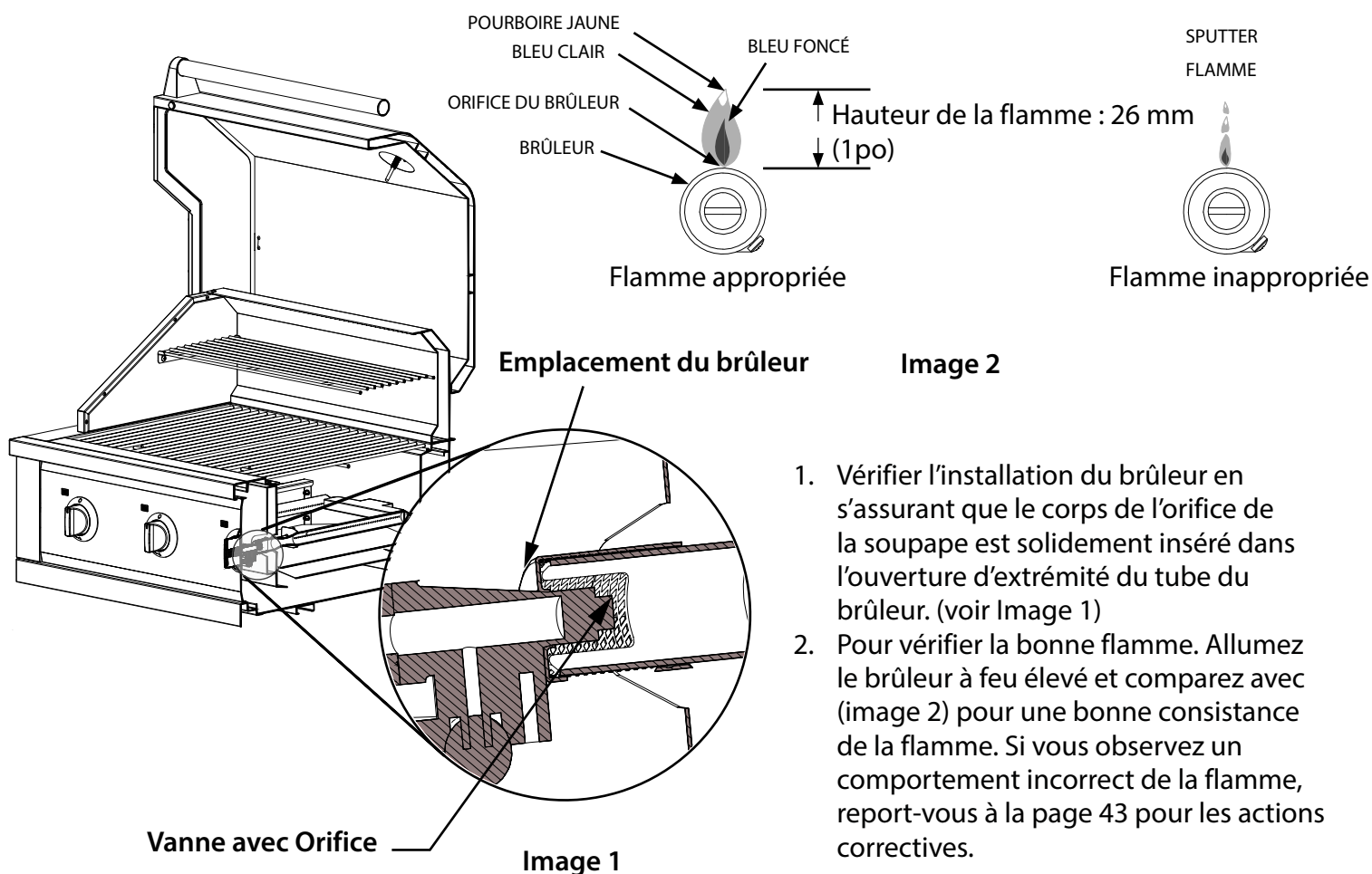


Position du brûleur et réglage de la flamme

⚠ MISE EN GARDE

Le bon positionnement de chaque brûleur est essentiel après le nettoyage ; ils doivent être centrés sur l'orifice en laiton, en reposant à niveau sans aucun balancement. Le non-respect de ces conditions peut entraîner une situation très dangereuse qui peut causer des dommages corporels et matériels.

Les boutons de commande de gaz doivent être en position « OFF » et la conduite de carburant doit être déconnectée du collecteur de la vanne de gaz. Pour réduire le risque de RETOUR DE FLAMME, la procédure ci-dessous doit être suivie au moins une fois par mois ou lorsque votre gril n'a pas été utilisé pendant une période prolongée.



⚠ MISE EN GARDE

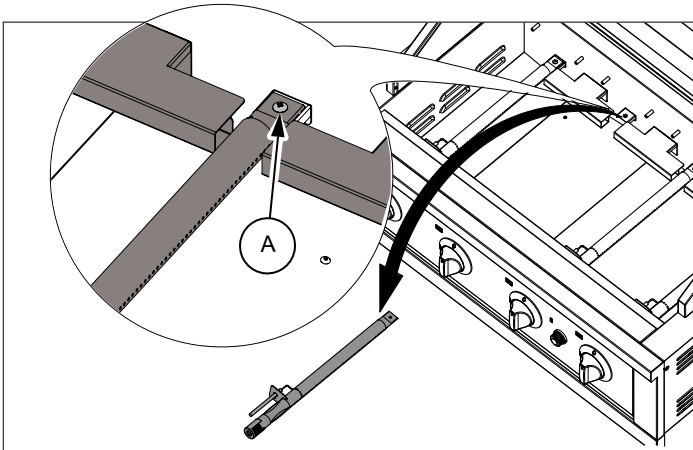
Coupez le gaz à la source et débranchez l'appareil avant de procéder à l'entretien. Pour éviter les risques de brûlures, l'entretien ne doit être effectué que lorsque le gril est froid. Un test d'étanchéité doit être effectué chaque année et chaque fois qu'un composant du circuit de gaz est remplacé ou qu'une odeur de gaz est présente.

Position du brûleur et réglage de la flamme

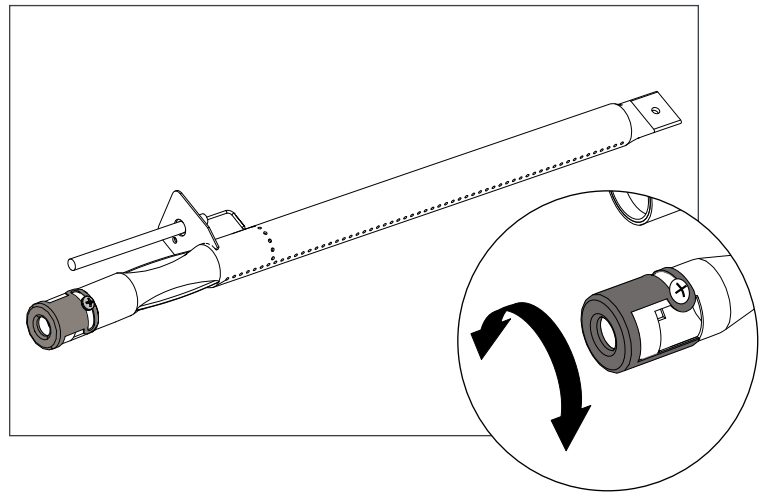
Réglage de la vanne d'obturation d'air

Pour bien régler la flamme, il faut ajuster la vanne d'obturation de l'air afin d'obtenir un mélange optimal de gaz et d'oxygène pour la combustion. Le brûleur doit être retiré pour régler la vanne d'obturation d'air.

- 1** Desserrez les boulons (A) et retirez le brûleur du grill.

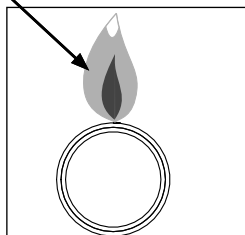


- 2** Desserrez la vis de la vanne d'obturation d'air et tournez la vanne d'obturation d'air pour changer l'ouverture de l'air.



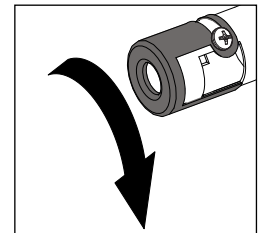
Flamme inappropriée

BLEU CLAIR

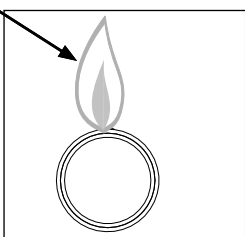


Trop d'oxygène

Si la flamme ne touche pas le brûleur, le combustible reçoit plus d'oxygène que nécessaire. Tournez la vanne d'obturation d'air dans le sens des aiguilles d'une montre pour réduire l'ouverture.

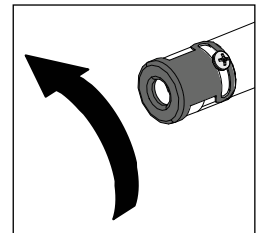


JAUNE

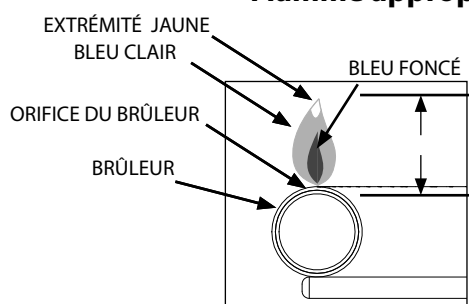


Pas d'oxygène

Si la flamme est de couleur jaune, le combustible reçoit moins d'oxygène que nécessaire. Tournez la vanne d'obturation d'air dans le sens inverse des aiguilles d'une montre pour augmenter l'ouverture.



Flamme appropriée



Hauteur de la flamme : 26 mm (1 po)

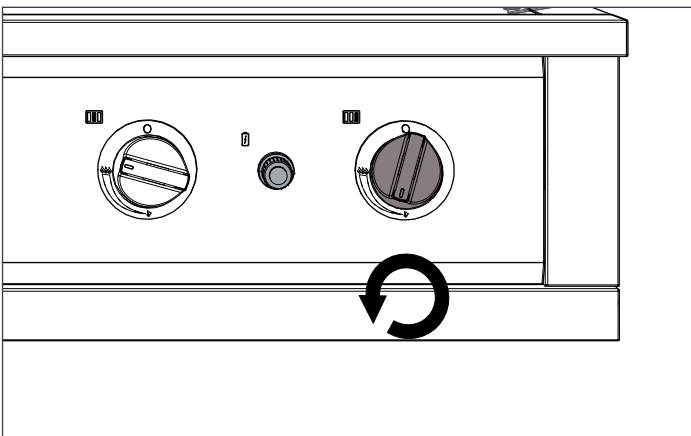
Position du brûleur et réglage de la flamme

Réglage de la flamme basse

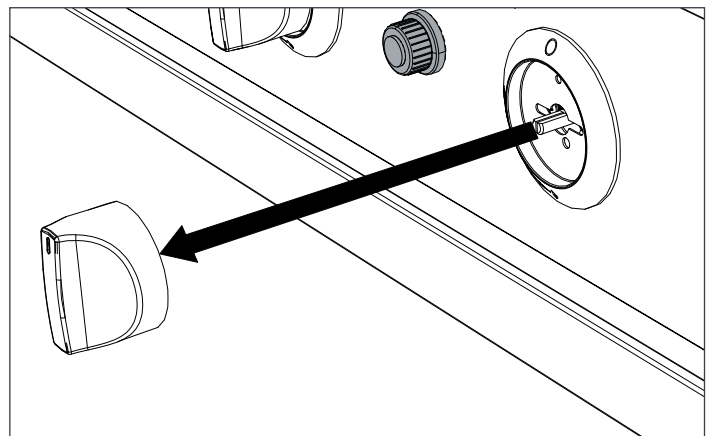
⚠ MISE EN GARDE

1. Assurez-vous que le gril n'est pas chaud.
2. Retirez la grille de cuisson et le dompteur de flammes, de sorte que vous pouvez voir les flammes pendant le réglage des brûleurs.
3. Les fluctuations de la pression du gaz peuvent affecter les performances du brûleur au réglage "BAS".
4. La qualité du gaz; elle-même peut affecter les performances du brûleur au réglage "BAS".

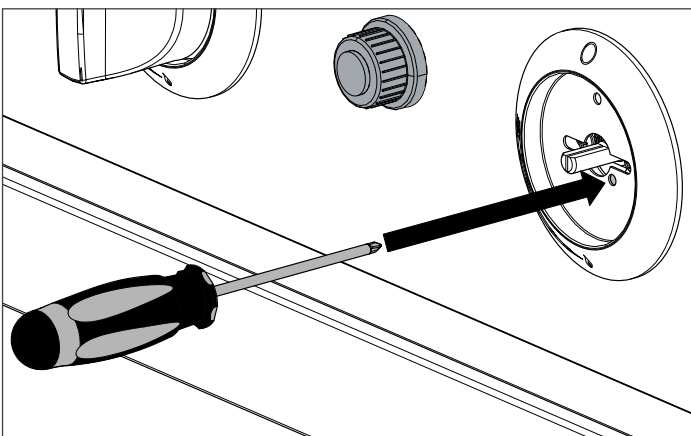
1 Tournez le brûleur au réglage « BAS ».



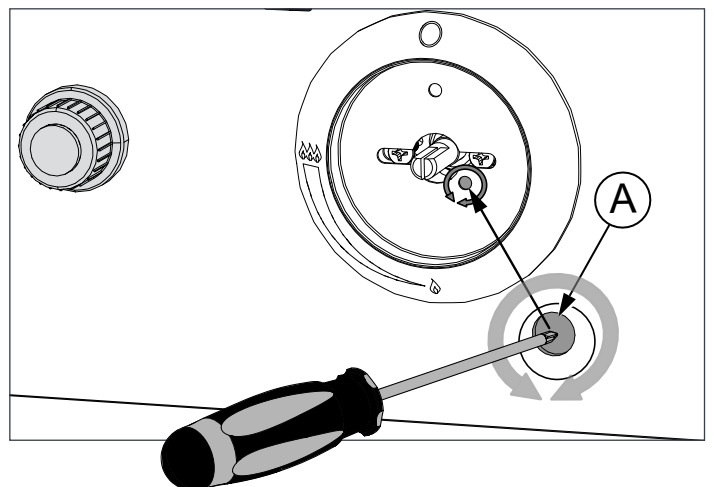
2 Retirez le bouton de commande du panneau.



3 Insérez un petit tournevis plat dans le trou prévu sur le panneau de commande.



4 Rotation dans le sens Antihoraire: Flamme élevée
Rotation dans le sens horaire: Faible flamme



Fonctionnement général du grill et procédures de cuisson

AVERTISSEMENT

- Ne laissez jamais d'enfants sans surveillance autour du grill NewAge.
- Un préchauffage de plus de 15 minutes peut entraîner une surchauffe et endommager le grill.
- Ne couvrez jamais les fentes, les trous ou les passages de la boîte à feu du grill et ne couvrez jamais une grille en entier avec un matériau tel que du papier d'aluminium. Cela bloque la circulation de l'air dans le four et peut provoquer un empoisonnement au monoxyde de carbone. Les revêtements en papier d'aluminium peuvent emprisonner la chaleur et causer un risque d'incendie.
- Ne laissez pas le grill sans surveillance.

Préchauffage

Il est nécessaire de préchauffer le grill pendant une courte période avant la cuisson de certains aliments, en fonction du type d'aliment et de la température de cuisson. Le préchauffage permet aux briquettes de se réchauffer correctement, ce qui donne des résultats de cuisson plus réguliers et plus consistants. Laissez le grill se préchauffer sur « HI » jusqu'à ce que la température souhaitée soit atteinte. Utilisez le thermomètre du couvercle pour atteindre la température de préchauffage requise. Il n'est pas nécessaire de préchauffer les casseroles ou autres aliments qui nécessitent une cuisson lente.

Températures de cuisson

Réglage HIGH - Utilisez ce réglage uniquement pour un réchauffage rapide, pour saisir des steaks et des côtelettes, et pour brûler les résidus d'aliments sur les grilles de cuisson après la fin de la cuisson.

Réglage MEDIUM - Utilisez ce réglage pour la plupart des grillades, rôtis ou cuissons au four, et pour la cuisson des hamburgers et des légumes.

Réglage LOW - Utilisez ce réglage pour toutes les cuissons fumées, les cuissons en rôtissoire et pour la cuisson de morceaux très maigres comme du poisson.

Ces températures varient en fonction de la température extérieure et de la quantité de vent.

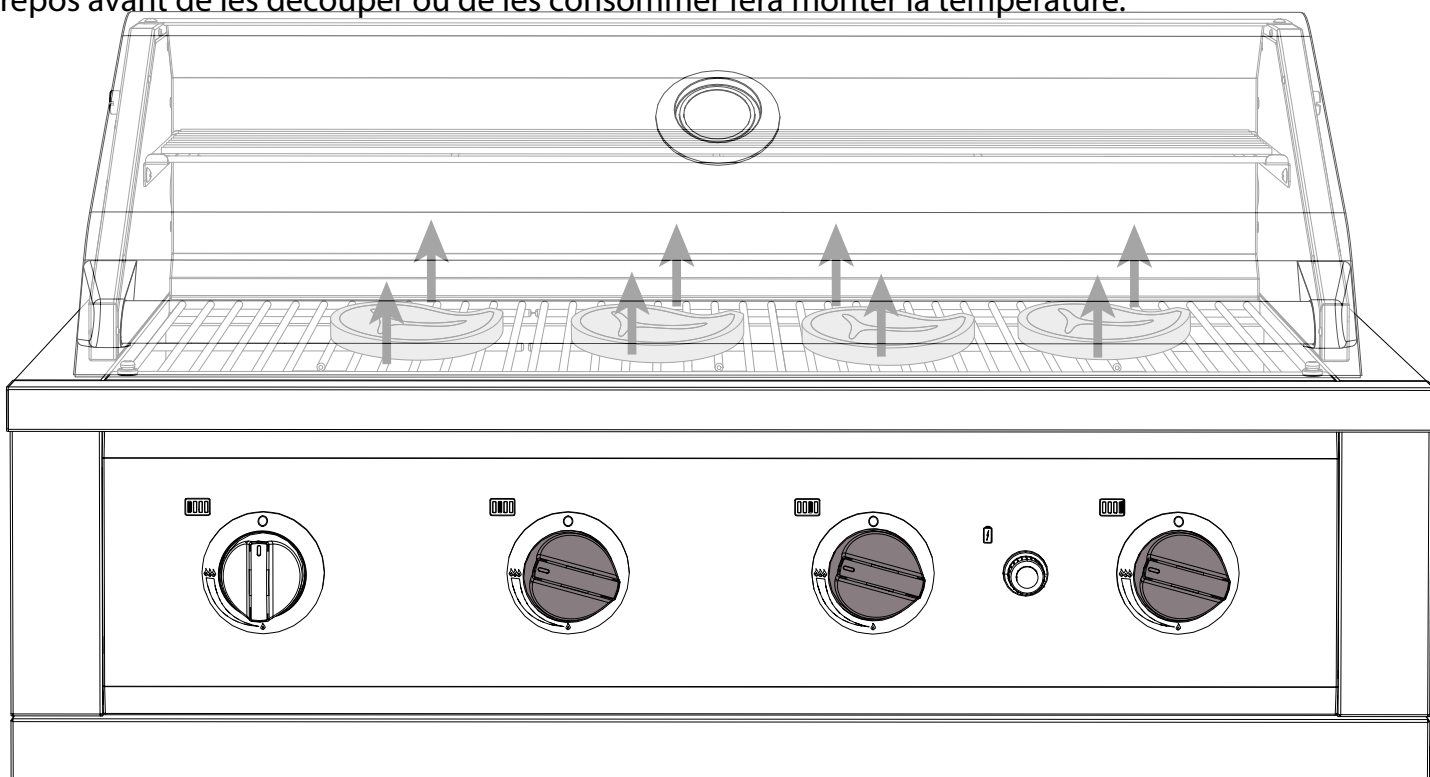
AVERTISSEMENT

N'utilisez pas le grill pour cuire des viandes ou des produits trop gras qui favorisent les flambées. Pour contrôler les flambées, réglez les commandes pour abaisser la température. Si les flambées de votre grill sont incontrôlables, éteignez les brûleurs. N'utilisez pas d'eau pour éteindre les flambées. Pulvériser de l'eau sur une flambée peut faire exploser la graisse.

Fonctionnement général du grill et procédures de cuisson

Cuisson directe

Cette méthode consiste à placer les aliments directement sur les brûleurs allumés. C'est une façon courante de cuire des aliments qui prennent moins de 20 minutes ou de saisir des aliments plus volumineux au début du processus de cuisson. Tourner trop tôt et trop souvent est l'une des erreurs les plus courantes en matière de grillades. Ne vaporisez jamais d'eau sur le grill ou dans la graisse. Utilisez un thermomètre à viande pour atteindre le degré de cuisson souhaité et retirez les articles lorsqu'ils sont un degré en dessous de la façon dont vous souhaitez les déguster, car la période de repos avant de les découper ou de les consommer fera monter la température.



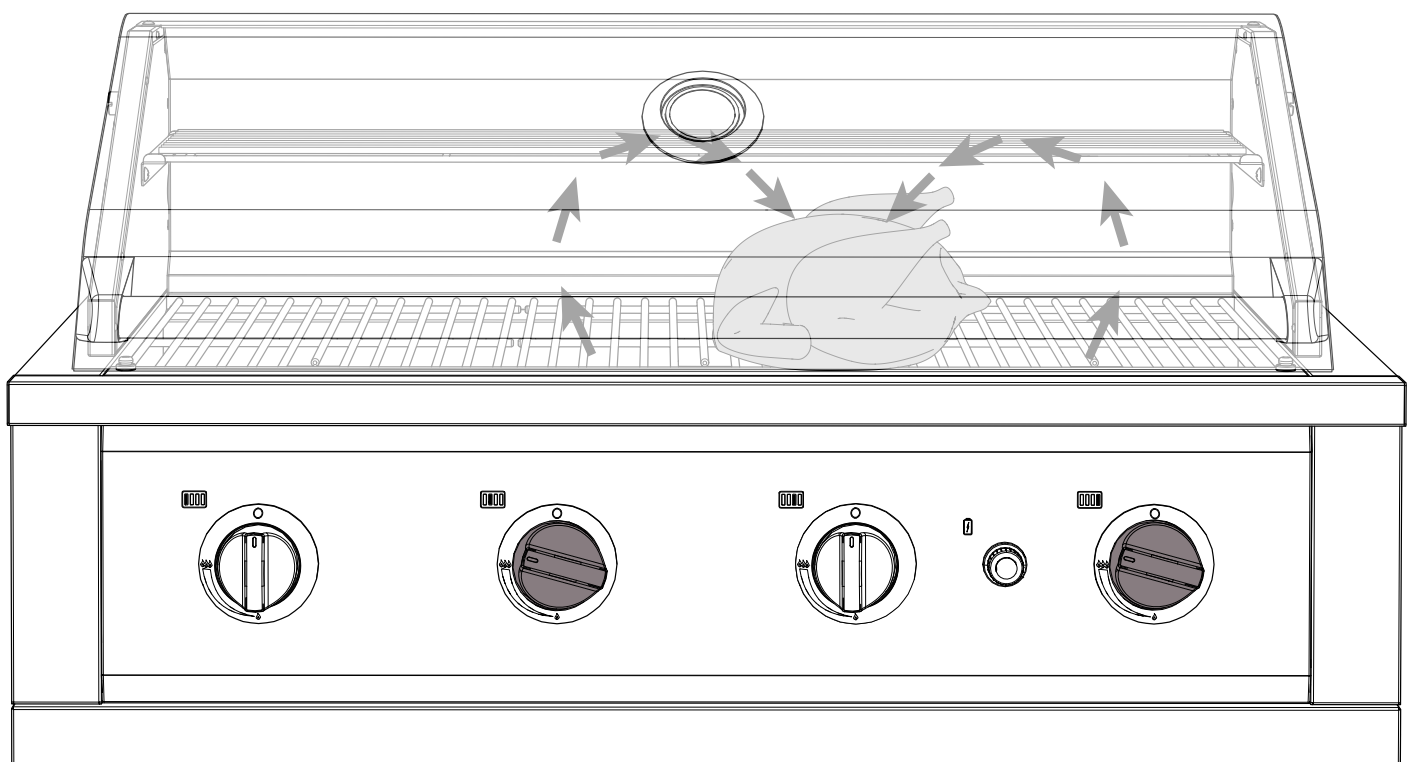
Fonctionnement général du grill et procédures de cuisson

Cuisson indirecte

Vous pouvez faire cuire lentement et à la perfection des aliments plus gros sur un côté du grill en utilisant la technique de la cuisson indirecte. Cela peut être réalisé en laissant les brûleurs directement sous la nourriture à « OFF » et en allumant les brûleurs sur le côté de la nourriture. La chaleur du brûleur allumé circule doucement dans le grill, faisant cuire les aliments sans qu'aucune flamme directe ne les touche. Cette méthode réduit considérablement les flambées lors de la cuisson de morceaux très gras, car il n'y a pas de flamme directe pour enflammer les graisses et les jus qui s'égouttent pendant la cuisson. Placez un bac d'égouttage légèrement plus petit que la coupe de viande sur les grilles de cuisson ou des briquettes en céramique sous la viande en cours de cuisson. Cela vous permettra de recueillir les jus de viande pour faire de la sauce. Flambées : Les graisses et les jus qui s'écoulent de la viande provoquent des flambées. Comme celles-ci confèrent le goût et la couleur caractéristiques des aliments cuits à feu vif, il faut s'y attendre et les encourager dans la limite du raisonnable. Néanmoins, une flambée incontrôlée peut ruiner un repas. Pour contrôler les flammes excessives causées par un réglage trop élevé de la chaleur, tournez le bouton de réglage de la chaleur sur un réglage plus bas.

! MISE EN GARDE

- **Si les brûleurs s'éteignent en cours de fonctionnement, fermez l'alimentation en gaz à la source et fermez toutes les vannes de gaz. Ouvrez le couvercle et attendez cinq minutes avant d'essayer de rallumer (cela permet aux vapeurs de gaz accumulées de se dissiper).**
- **Si un feu de graisse se déclare, fermez l'alimentation en gaz à la source, éteignez tous les brûleurs et laissez le couvercle fermé jusqu'à ce que le feu soit éteint.**
- **N'essayez pas de débrancher un raccord de gaz lorsque votre barbecue est en fonctionnement.**



Entretien et nettoyage du grill

Entretien régulier

Lavez régulièrement l'évier avec de l'eau douce et propre, un détergent doux et un chiffon en microfibre. Après avoir lavé, rincez avec de l'eau douce et essuyez la surface pour la sécher avec votre chiffon en n'oubliant pas d'aller dans le sens du grain sur l'acier inoxydable brossé. En général, vous devez laver votre acier inoxydable tous les trois mois. Les zones côtières ou à proximité d'une piscine traitée au chlore nécessitent un lavage plus fréquent, toutes les deux semaines. N'utilisez pas de nettoyant abrasif ou de tampon à récurer, indifféremment du type, car ils causeront une usure excessive et terniront le fini. Les finitions en acier inoxydable dans les environnements côtiers peuvent présenter des taches de thé si elles ne sont pas lavées régulièrement. Pour une meilleure protection, utilisez une fine couche de produit de protection sur la surface.

Liste des conditions courantes qui causent la corrosion et la décoloration de l'acier inoxydable, et qui doivent être évitées :

1. Nettoyants contenant du chlore - ceci comprend l'eau de Javel et les nettoyants contenant de l'eau de Javel
2. Acide muriatique (acide chlorhydrique) - couramment utilisée pour nettoyer après l'installation de carreaux/béton
3. Résidus concentrés de savon - les additifs chimiques entraîneront une décoloration et certains savons séchés ont un aspect semblable à celui de la rouille
4. Eau ayant une forte teneur en fer - elle peut laisser un résidu d'aspect rouillé, particulièrement si on la laisse couler goutte à goutte
5. Contact avec les matériaux en fer - y compris la laine d'acier, les résidus/poussières de fer provenant de l'installation ou du nettoyage d'autres produits en acier
6. Ne laissez pas d'humidité emprisonnée entre le produit et le couvercle - humidité emprisonnée provenant de tapis en caoutchouc, cannettes ou produits de nettoyage - laissez les armoires sécher complètement avant de les couvrir.
7. Sels - contiennent du chlorure
8. Chaleur extrême d'une flamme
9. Ne laissez pas de jus de citron ou de tomate sur les surfaces en acier inoxydable.
10. Aucun nettoyant abrasif, tampon en laine d'acier ou chiffon abrasif, car ils érafleront le fini.

Élimination de l'OXYDATION

Si vous observez une oxydation, vous devez suivre quelques étapes pour restaurer vos armoires en acier inoxydable à un état « comme neuf » : Appliquez de l'eau douce avec une éponge propre et frottez doucement dans la direction du grain. Si la marque ne disparaît pas, il pourrait être nécessaire d'utiliser un nettoyant pour acier inoxydable. Il suffit alors d'appliquer le nettoyant et de frotter doucement. Après le nettoyage, il est important de rincer l'acier inoxydable avec de l'eau douce propre et de frotter avec un chiffon doux. N'oubliez pas de toujours frotter dans le sens du grain, JAMAIS de travers, car cela ruinerait le fini et l'acier inoxydable pourrait perdre son lustre.

Entretien et nettoyage du grill

Nettoyage des grilles de cuisson :

Après la cuisson, tournez les boutons de commande sur « OFF » et laissez le grill refroidir avant de tenter de nettoyer vos grilles de cuisson. Avant la première utilisation et de façon régulière, il est conseillé de laver les grilles de cuisson dans une solution d'eau chaude et de savon doux. Vous pouvez utiliser une débarbouillette ou une brosse à légumes pour nettoyer vos grilles de cuisson.

Retirez les brûleurs :

1. Retirez les grilles du grill et les panneaux pare-flammes.
2. Dévissez les attaches qui fixent les brûleurs au plateau.
3. Soulevez le brûleur.
4. Ensuite, tirez vers l'arrière du grill pour que la tête du brûleur se détache de l'orifice en laiton à l'avant.

Nettoyage du brûleur :

- Pour optimiser les performances du grill, nettoyez l'extérieur du brûleur avec un tampon à récurer abrasif. Enlevez les dépôts tenaces à l'aide d'un grattoir métallique.
- Dégagez les ports bouchés avec un trombone redressé. N'utilisez jamais de cure-dents en bois, car il pourrait se casser et boucher le port.
- Secouez les débris à travers la vanne d'obturation d'air.
- Utilisez une lampe de poche pour inspecter l'entrée du brûleur afin de vous assurer qu'elle n'est pas bloquée. Si des obstructions sont visibles, nettoyez-les avec un trombone ou un cure-pipe.

MISE EN GARDE

Ne laissez pas l'excès de graisse ou de liquide s'accumuler dans le bac d'égouttage, car il pourrait créer un risque d'incendie.

N'utilisez jamais le grill sans avoir installé le bac d'égouttage.

Nettoyage des bacs à égouttage :

Le bac d'égouttage doit être nettoyé après chaque utilisation. Une fois que le grill est complètement refroidi, retirez le bac d'égouttage en le tirant jusqu'à ce qu'il se libère.

Nettoyez-le à l'eau chaude savonneuse ou avec un produit de nettoyage pour four et réinstallez-le. Lorsque vous utilisez un produit de nettoyage pour four, veillez à suivre attentivement les instructions du fabricant. Beaucoup de ces nettoyeurs sont toxiques et peuvent endommager la finition de l'acier inoxydable s'ils ne sont pas utilisés correctement. Tester sur une zone non visible de l'acier inoxydable avant de l'utiliser sur toute la surface.

Vérifiez également le plateau après la pluie. Si vous avez laissé le grill à découvert, vous devrez peut-être retirer le bac d'égouttage pour évacuer l'eau du plateau.

Entretien et nettoyage du gril

Panneaux pare-flammes :

Les panneaux pare-flammes brûlent normalement les restes de nourriture accumulés. Mais il peut arriver que des déversements plus importants ne brûlent pas dans des conditions normales d'utilisation.

Quand cela se produit :

1. Laissez le gril refroidir complètement. Retirez les grilles puis les plateaux en céramique en soulevant le bord avant et en les soulevant vers le haut.
2. Retournez les plateaux et remettez-les en place sur le brûleur.
3. Allumez les brûleurs et réglez-les sur « MAX » pendant 5 à 10 minutes pour brûler les briquettes proprement. Assurez-vous que les plateaux ont complètement refroidi avant de les réinstaller. Les restes de nourriture peuvent être éliminés à l'aide d'une brosse à soies souples.

Acier inoxydable :

1. Après chaque utilisation, essuyez l'extérieur du gril pour enlever la graisse, la suie noire et les éclaboussures.
2. Veillez à suivre les instructions de nettoyage pour garder les grilles et les brûleurs propres et prêts à l'emploi.
3. Utilisez un nettoyant pour acier inoxydable disponible dans le commerce pour nettoyer et polir les surfaces extérieures.

L'attrait du gril NewAge réside en partie dans la finesse du grain. Nettoyez toujours dans le sens du grain.

Lors de l'élimination de taches tenaces :

- N'utilisez pas d'abrasifs métalliques et frottez toujours dans le sens du grain.
- Certains produits d'entretien ménager ne sont pas adaptés à l'acier inoxydable ; assurez-vous de lire l'étiquette avant de les utiliser sur votre gril NewAge.
- Utilisez toujours en premier lieu la solution de nettoyage la plus douce, en frottant dans le sens du grain. Des taches de graisse peuvent s'accumuler dans le grain de l'acier inoxydable et cuire à la surface, donnant l'apparence de la rouille.

Pour enlever ces aliments cuits sur la surface, utilisez un tampon abrasif non métallique à grain fin ou moyen (Scotch Brite est une bonne option) en conjonction avec un nettoyant pour acier inoxydable. Veillez toujours à nettoyer et à polir dans le sens du grain.

Entretien et nettoyage du gril

REMARQUE SPÉCIALE POUR LES ENDROITS SITUÉS PRÈS DES PISCINES ET DES ZONES CÔTIÈRES :

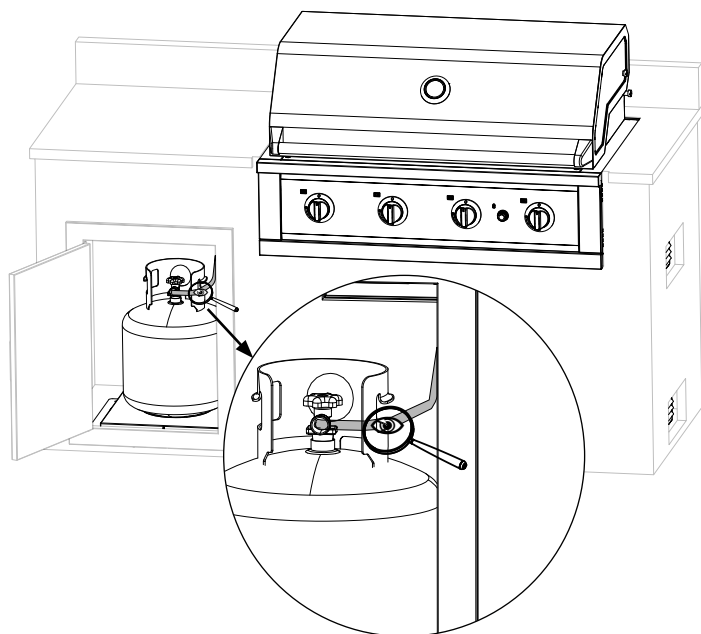
Le matériau en acier inoxydable 304 utilisé dans la construction d'un gril NewAge est très résistant à la rouille, cependant, le chlore présent dans l'air des piscines ou le sel de l'air marin peuvent provoquer l'apparition de rouille en surface et même créer des piqûres s'ils sont laissés sur le produit.

Voici quelques conseils pour éviter cela :

- Essuyez régulièrement les surfaces extérieures avec un chiffon humide. Les chiffons en microfibras sont très performants.
- Laissez les surfaces sécher avant d'installer la couverture. Ne couvrez pas un gril humide.
- Dans les environnements extrêmes, appliquez un inhibiteur de rouille qui laisse une couche protectrice microscopique sur le gril. Les produits qui fournissent une couche d'inhibiteurs de corrosion à la vapeur (VpCI™) protègent très bien la surface.
- Pour le stockage saisonnier, utilisez le produit mentionné ci-dessus, assurez-vous que le gril est sec, puis couvrez et fixez le couvercle pour minimiser la quantité d'air humide qui atteint les surfaces.

LA GARANTIE NEWAGE NE COUVRE PAS LA ROUILLE DE SURFACE OU LES TACHES OCCASIONNELLES DUES AUX CONDITIONS ENVIRONNEMENTALES.

ACCÈS ET INSPECTION DE L'ÉTAT DU TUYAU D'ALIMENTATION



ÉTAPE 1 : OUVREZ LA PORTE

ÉTAPE 2 : INSPECTION DE L'ÉTAT DU TUYAU

LE TUYAU DOIT AVOIR UN TRAJET EN SERPENT RÉGULIER POUR ÉVITER LES PLIS ET LES DÉFAILLANCES PRÉMATURÉES. VEUILLEZ EXAMINER LES TUYAUX ET LES RACCORDS POUR DÉTECTER LES FISSURES, LES DÉCHIRURES OU LES MARQUES D'USURE DUES AU FROTTEMENT, ETC.

Dépannage

Veillez vérifier et vous assurer des points suivants avant d'appeler le service clientèle.

1. Le gril est-il alimenté en combustible?
2. La vanne de sectionnement principale est-elle ouverte?
3. Utilisez-vous le bon type de combustible pour le gril? (Grill au gaz propane ou grill au gaz naturel)
4. Votre bouteille de propane est-elle vide? Avez-vous récemment rempli la bouteille de propane? Si oui, la connexion est-elle bien serrée?
5. Tentez d'allumer le brûleur (consultez la page 42). Vérifiez que les autres brûleurs de l'unité fonctionnent. Nettoyez la pointe de l'électrode de tout débris.

PROBLÈME	LES CAUSES POSSIBLES
1. 1. Faible chaleur/faible flamme lorsque le bouton de commande est réglé sur « High »	<p>Pour le propane - procédure d'éclairage inappropriée. Assurez-vous que la procédure d'éclairage est suivie avec soin. Toutes les vannes du gril à gaz doivent être en position fermée lorsque la vanne du réservoir est ouverte. Allumez le réservoir lentement pour permettre à la pression de s'équilibrer. Consultez les instructions d'éclairage.</p> <p>Faible quantité de carburant Vérifiez si la bouteille de propane est vide.</p>
2. Chaleur inégale	<p>Les panneaux pare-flammes sont mal installés. Veillez à ce que les panneaux pare-flammes soient installés de manière à ce que les trous soient orientés de l'avant vers l'arrière. Consultez les instructions de montage. Préchauffez le gril avec les brûleurs principaux à haute température pendant 10 minutes.</p> <p>Un excès de graisse et de cendres s'accumule sur les panneaux pare-flammes et dans le bac d'égouttage. Nettoyez régulièrement les panneaux pare-flammes et le bac d'égouttage. Ne recouvrez pas le bac de papier d'aluminium. Consultez les instructions de nettoyage.</p>
3. Les brûleurs brûlent avec une flamme jaune, accompagnée d'une odeur de gaz.	<p>Toile d'araignée ou autres débris éventuels, ou mauvais réglage du volet d'obturation d'air. Nettoyez soigneusement le brûleur en le retirant. Consultez les instructions générales d'entretien. Ouvrez légèrement le volet d'obturation d'air pour régler l'air de combustion (Cela doit être fait par un monteur d'installations au gaz certifié.)</p>

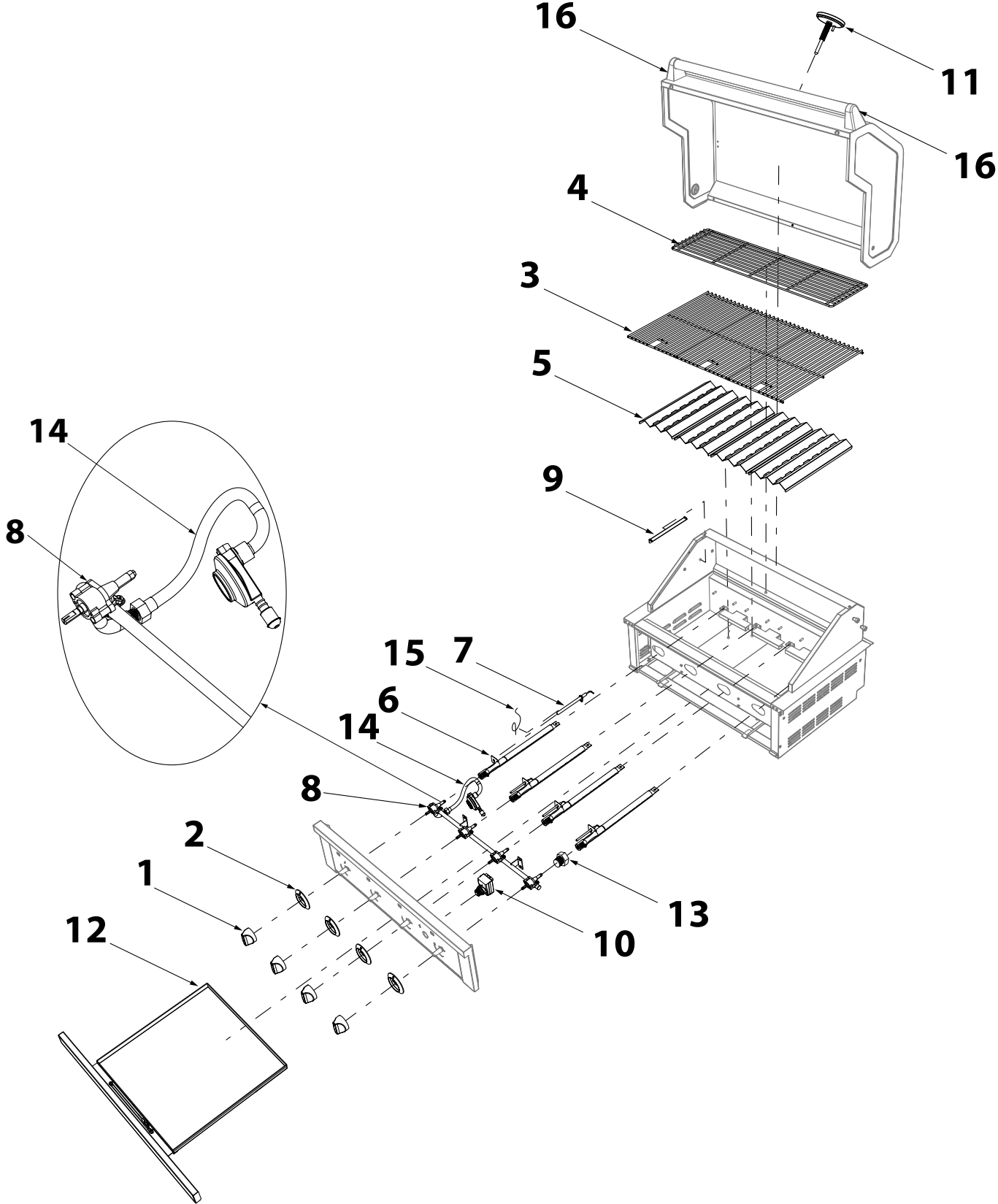
Dépannage

PROBLÈME	LES CAUSES POSSIBLES
4. Le brûleur principal ne s'allume pas avec l'allumeur, mais s'allume avec une allumette	<p>L'électrode est recouverte de résidus de cuisson Nettoyez le fil ou l'électrode à l'aide d'un chiffon et d'alcool à friction.</p> <p>L'électrode et les brûleurs sont mouillés Essuyez-les avec un chiffon sec.</p> <p>Électrode d'allumage fissurée ou cassée; étincelles à l'endroit fissuré Remplacez la vanne. Cela doit être fait par un monteur d'installations au gaz certifié.</p> <p>L'orifice du dispositif d'allumage est obstrué Nettoyez l'orifice ou remplacez la vanne au besoin.</p> <p>Dispositif d'allumage défectueux. Remplacez la vanne. Cela doit être fait par un monteur d'installations au gaz certifié.</p> <p>L'électrode d'allumage n'est pas dans la bonne position. La distance entre la pointe de l'électrode et le brûleur doit être de 4 mm.</p>
5. Régulateur produisant un bourdonnement.	Ce n'est pas une défaillance. Ceci est causée par des vibrations internes dans le régulateur et n'affecte pas les performances ou la sécurité du gril à gaz. Les régulateurs à bourdonnement ne seront pas remplacés.
6. Les brûleurs ne s'allument pas mutuellement.	<p>Accumulation de graisse, de matière alimentaire ou de saleté. Nettoyez les canaux du pont. Assurez-vous que les orifices latéraux du brûleur sont propres.</p>
7. Le rendement du brûleur en position « high » est trop faible. (Bruit de grondement et flamme bleue qui vacille à la surface du brûleur)	<p>Manque de gaz. Check gas level in propane cylinder.</p> <p>Le tuyau d'alimentation est pincé. Reposition supply hose as necessary.</p> <p>Orifice sale ou bouché. Toile d'araignée ou autre matière dans un tube de venturi. Clean burner orifice . Clean out venturi tube. refer to page 8.</p> <p>Régulateur de propane en état de « faible débit ». All gas grill valves must be in the off position when the tank valve is turned on. Turn tank on slowly to allow pressure to equalize. See lighting instructions.</p>
8. Le brûleur infrarouge (le cas échéant) clignote (pendant le fonctionnement, le brûleur émet brusquement un fort bruit de « whoosh », suivi d'un bruit continu de type chalumeau et s'affaiblit).	<p>Des carreaux de céramique surchargés de graisse et d'accumulations. Les orifices sont bloqués. Éteignez le brûleur et laissez-le refroidir pendant au moins deux minutes. Allumez le brûleur et brûlez à feu vif pendant au moins cinq minutes ou jusqu'à ce que les carreaux de céramique soient uniformément rouges.</p> <p>Brûleur surchauffé en raison d'une ventilation insuffisante (trop grande surface de gril couverte par la plaque ou la casserole) Veillez à ce que la surface du gril ne soit pas recouverte à plus de 75 % par des objets ou des accessoires. Éteignez le brûleur et laissez refroidir pendant au moins deux minutes, puis rallumez.</p> <p>Carreau de céramique fissuré. Laissez le brûleur refroidir et inspectez de très près pour détecter les fissures. Si vous trouvez des fissures, contactez le service clientèle de NewAge pour obtenir une option de remplacement.</p> <p>Leaking gasket surrounding the ceramic tile, or a weld failure in the burner housing.</p>

Dépannage

PROBLÈME	LES CAUSES POSSIBLES
9. L'allumage électrique (dispositif d'allumage à impulsion) ne fonctionne pas correctement	<p>L'alimentation en gaz est coupée Vérifiez l'alimentation en gaz. Coupez et rouvrez votre alimentation en gaz et réessayez d'allumer.</p> <p>Dispositif d'allumage à impulsion défectueux Si une étincelle se produit ailleurs que sur la pointe du dispositif d'allumage, remplacez ce dernier. Vérifiez si le gril s'allume avec une allumette. Consultez la section « Allumage manuel du gril principal » dans la section « Utilisation du gril d'extérieur ».</p> <p>L'électrode d'allumage n'est pas dans la bonne position. La distance entre la pointe de l'électrode et le brûleur doit être de 4 mm.</p> <p>Aucune étincelle n'est produite Vérifiez si le bouton du dispositif d'allumage à impulsion produit un son de claquement lorsqu'il est enfoncé. Retirez la grille de cuisson et le panneau pare-flamme pour vérifier la présence d'une étincelle sur l'électrode, comme prévu lorsque vous appuyez sur le bouton du dispositif d'allumage.</p> <p>État de la batterie Assurez-vous que la pile AA n'est pas oxydée et qu'elle est suffisamment chargée. Vérifiez la pile de votre dispositif d'allumage et remplacez-le si nécessaire. Assurez-vous qu'aucun débris ne bloque les électrodes. L'un de vos brûleurs est-il allumé? Laissez le flux de gaz s'enflammer pendant quatre secondes au maximum.</p>
10. Le brûleur s'éteint lorsqu'il est réglé au minimum	<p>Manque de gaz. Vérifiez le niveau de gaz dans la bouteille de propane. Vérifiez que la vanne de sectionnement principale est ouverte.</p> <p>Le tuyau d'alimentation est pincé. Repositionnez le tuyau d'alimentation si nécessaire.</p> <p>Orifice sale ou bouché. Toile d'araignée ou autre matière dans un tube de venturi. Nettoyez l'orifice du brûleur. Nettoyez le tube de venturi.</p> <p>Le régulateur est en état de « faible débit » (seulement si vous utilisez du propane) Toutes les vannes du gril à gaz doivent être en position fermée lorsque la vanne du réservoir est ouverte. Ouvrez la vanne du réservoir lentement pour permettre à la pression de s'équilibrer.</p>

Vue éclatée et pièces de rechange



Vue éclatée et pièces de rechange

Article n°.	N° de pièce ing.	Description	QTÉ	Pièces de rechange UGS	Pièces de rechange QTÉ
1.	GLE-01.002.02.04A-01	Bouton de Commande du Brûleur en Zinc Nickelé	4	65956	1
2.	GLE-01.002.05A-01	Lunette de Bouton	4	64939	1
3.	GLE-02.001.05A-01	Grille de cuisson	3	64941	1
4.	GLE-02.001.010A-01	Grille Chauffante	1	64944	1
5.	GLE-02.001.04A-01	Dompteur de Flamme	4	64947	1
6.	GLE-01.001.06A-01 (Item 01, 02, 03, 04)	Assemblage du Brûleur Principal	4	64948	1
		Article 01-Brûleur principal	4		
		Article 02-Maille d'Obturateur d'air	4		
		Article 03-Volet d'air	4		
		Article 04-Support d'électrode	4		
7.	GLE-01.001.06A-01 - (Item 05)	Électrode de Brûleur de Tube	4	64958	1
8.	GLE-01.001.05.03A-01	Valve de Brûleur de Tube	4	64950	1
9.	GLE-01.001.18A-01	Support de rack chauffant	2	64957	1
10.	GLE-02.002.03A-01	Module d'Allumage à Impulsions	1	64961	1
11.	GLE-01.004.07A-01	Thermomètre	1	66931	1
12.	GLE-02.003A-01	Assemblage du Bac à Graisse	1	64964	1
13.	GLE-01.009A-01- (Item 01)	Orifice de Gaz Propane	4	64954	1
14.	GLE-04.008A-01	Tuyau de Gaz Propane	1	64970	1
15.	GLE-01.001.06A-01 - (Item 06)	Fil d'Électrode de Brûleur de Tube	4	66948	1
16.	GL2-01.023.02A-01	1x paire de bases de poignée LH & RH avec 4x vis M6	1 Set	67751	1

Service à la clientèle de NewAge



Lorsque vous contactez le service à la clientèle de NewAge, veuillez rassembler les renseignements suivants et les avoir à portée de main :

- Numéro de modèle
- Date d'achat
- Preuve d'achat par le propriétaire d'origine
- Code de production

Vous pouvez trouver le code de production à l'arrière du gril.

**Pour un service plus rapide, contactez NewAge Products au 1 877 306-8930 ;
ou écrivez à support@newageproducts.com.**