

# USER MANUAL FOR MULTI-FUNCTION ELECTRIC HEIGHT-ADJUSTABLE DESK



# SAFETY INSTRUCTIONS

- **Please read and follow this manual, and keep it in a safe place.**



## **To avoid damage to the product or personal injury, please follow these basic precautions:**

- Do not open or disassemble any parts on your own, especially the lifting columns and the control box, to avoid injury or electric shock.
- When moving, cleaning, or adding or removing accessories from the height-adjustable desk, ensure the desk is disconnected from power.
- Adjust the desk height only within the cable range. Do not sit or stand on the desktop to avoid injury.
- Do not allow electrical components to come into contact with any liquids to prevent hardware damage and malfunctions.
- This product is intended for indoor use in dry environments only. Do not use it outdoors or in damp locations to prevent fire, electric shock, or other accidents.

### **Disclaimer:**

**Under no circumstances shall the manufacturer be liable for warranty claims or damages resulting from improper use by the user.**

# TECHNICAL SPECIFICATIONS

## **Lifting Range**

---

Two-stage: 27.95"-46.85"  
Three-stage: 24.41"-50.0"

## **Installable Desktop Size**

---

39.37"-62.99" × 23.62"-31.5"

## **Lifting Speed**

---

Two-stage: 0.98"/s  
Three-stage: 0.98"/s

## **Load Capacity**

---

Three-stage: 220 lbs  
Two-stage: 220 lbs

## **Input Voltage**

---

Control box: 100V-240V ~ 50Hz/60Hz

## **Output Voltage**

---

Lifting system: DC 29V

## **Noise**

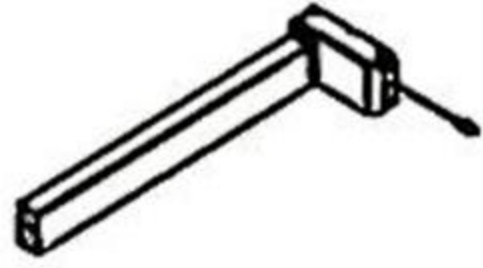
---

< 50 dB

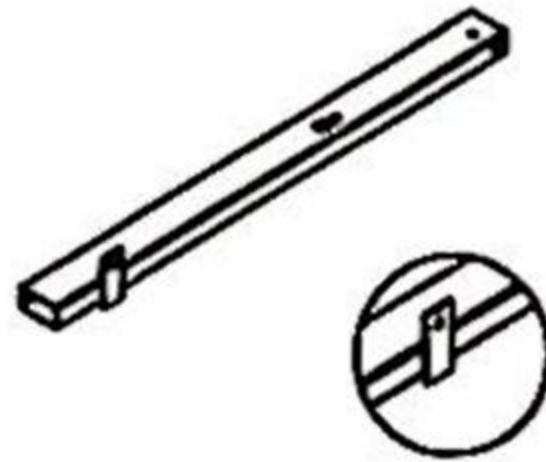
**\* Slight deviations in the above specifications may occur across different batches and product series, which is normal. Please do not be concerned.**

# PARTS LIST

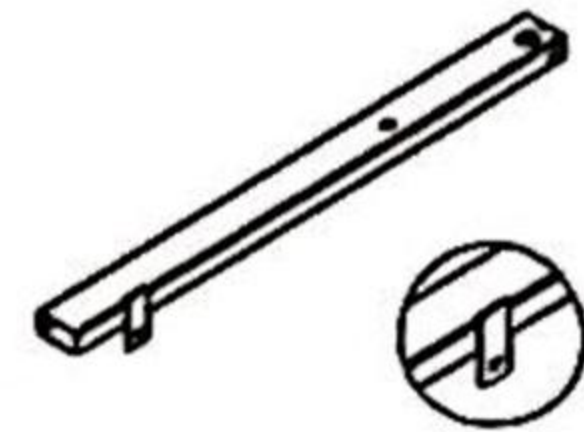
Before installation, please check against the provided parts list and ensure that you have received all components.



A (x2) Lifting Column



B (x2) Left Crossbeam



C (x2) Right Crossbeam



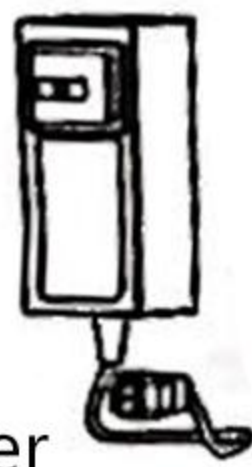
D (x2) Panel Support Frame



E (x2) Crossbeam Tube Core



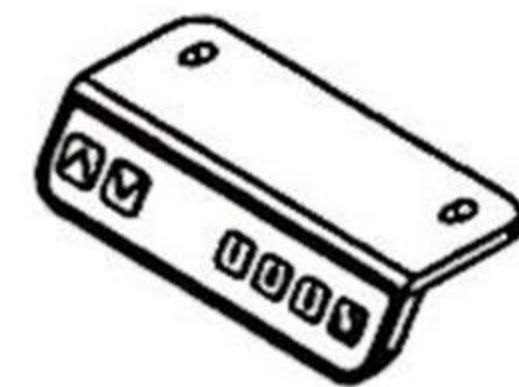
F (x2) Base Foot / Base Leg



G (x1) Adapter



H (x12) Anti-Vibration Pads



I (x1) Controller



S-A (x17)  
M6×10 Screw



S-B (x5)  
M6×10 Screw



S-C (x9)  
M6×16 Screw



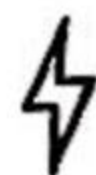
S-D (x15)  
ST5×16 Screw



S-G (x1) 3mm Hex Key / 4mm Hex Key

## Preparation Before Installation

1. Product Parameters You Need to Know



Input Voltage  
100-240V



Operating Temperature  
-5°C to 40°C

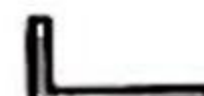


Frame Load Capacity  
220 lbs

2. Tools You May Need



Level



Hex Key



Electric Drill

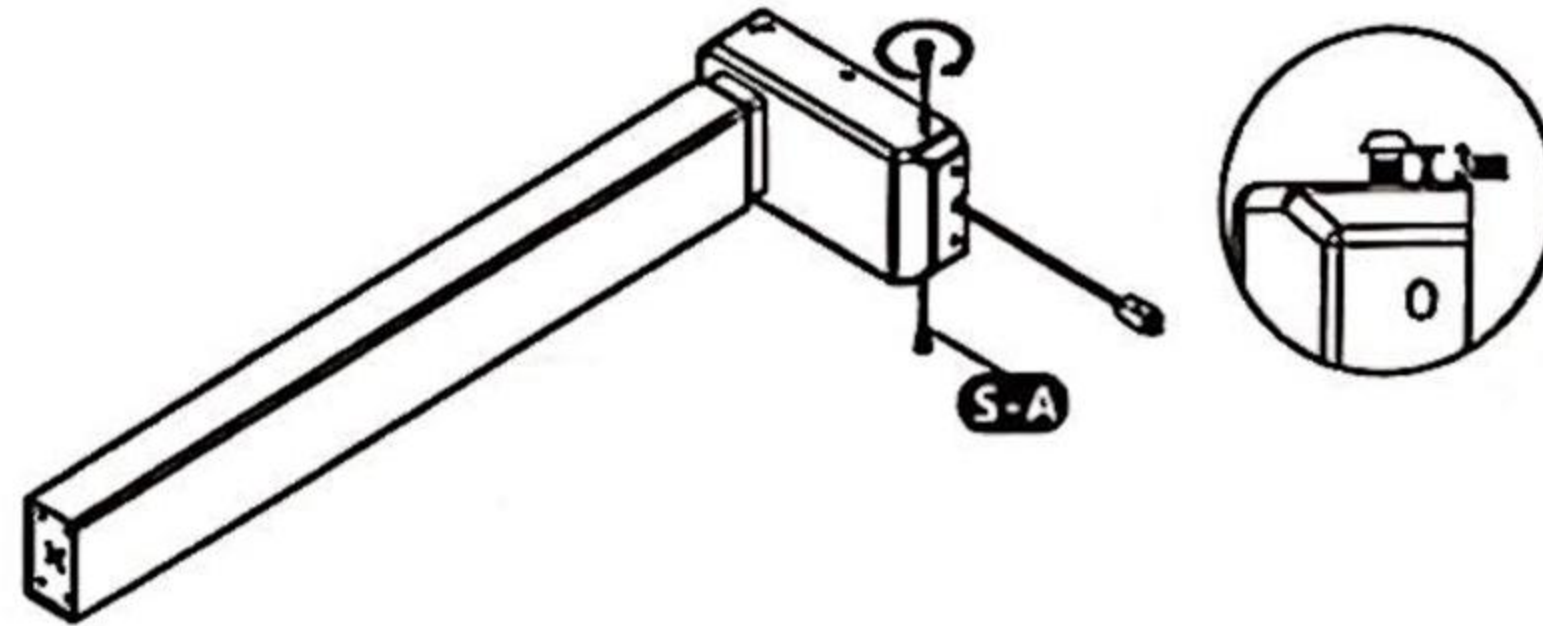


Phillips  
Screwdriver

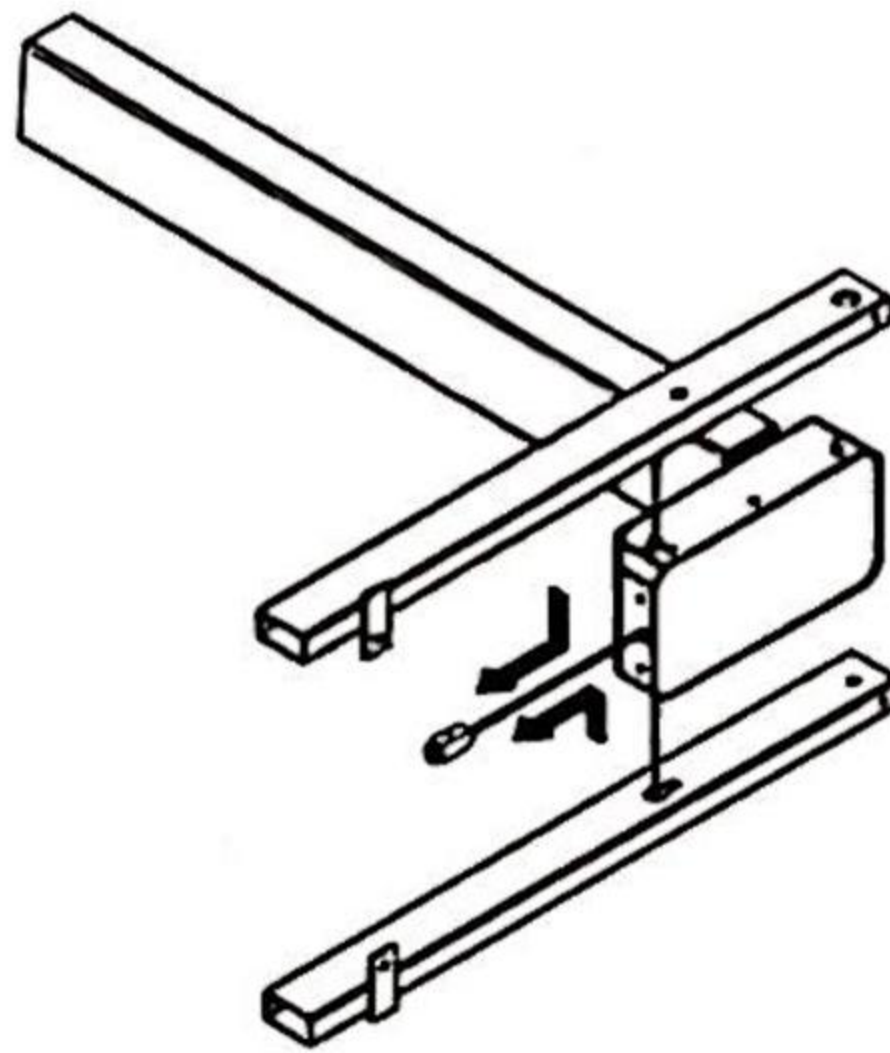
**Note:** To ensure safety, please have two people work together during installation. For ease of installation, place it on a flat surface for assembly.

## 1. Install the Crossbeam

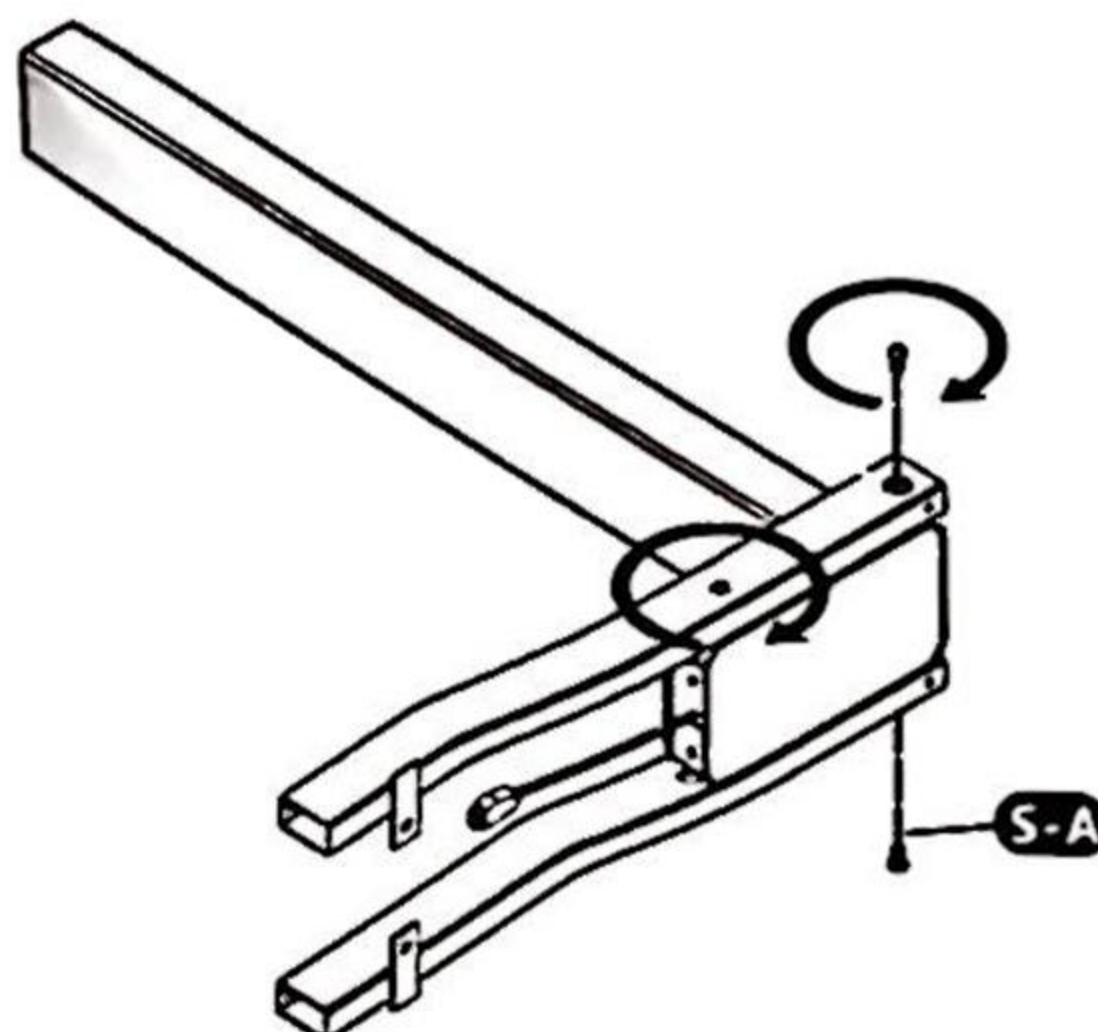
- Use the hex key S-G to screw the M6×10 screws S-A into the lifting columns as shown in the figure, leaving a gap of 0.12 inches.



- As shown in the figure, install the left crossbeam B and right crossbeam C onto the lifting columns.

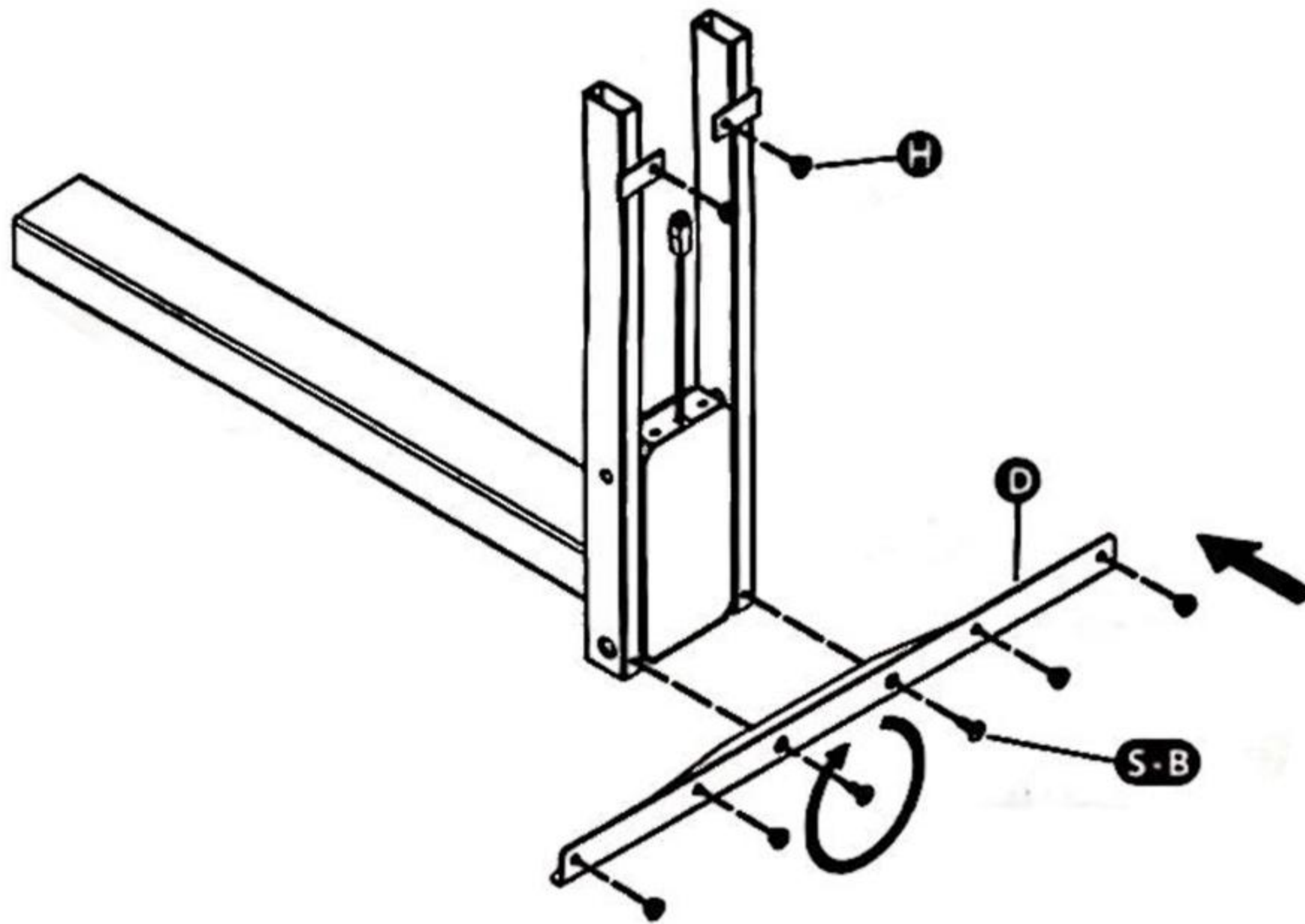


- Use M6×10 screws S-A to secure the crossbeam and tighten both sides.
- Repeat the above steps to complete the installation of the crossbeam on the other side.



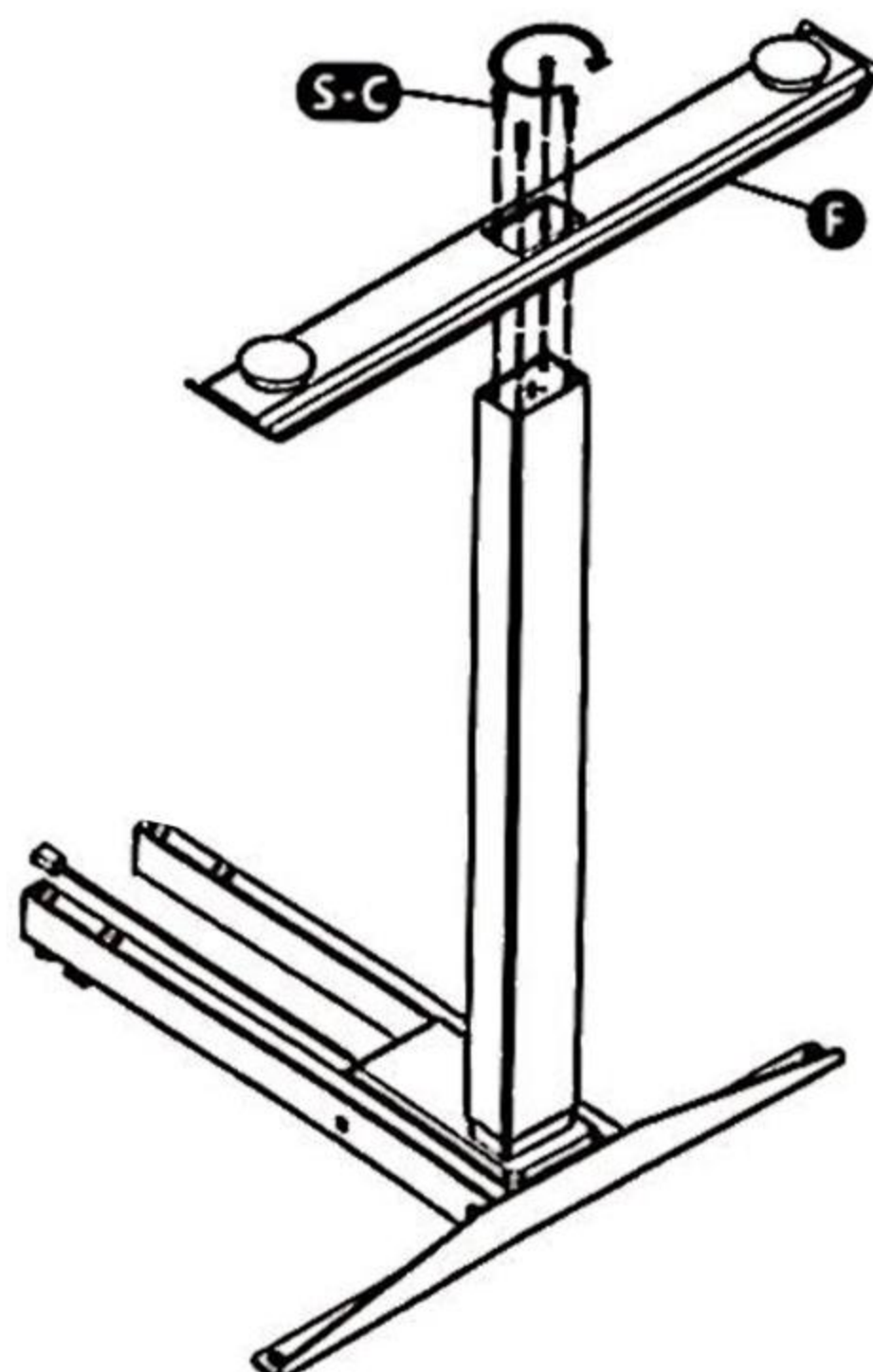
## 2. Install the Panel Support Frame

- Use two M6×10 screws S-B to secure the panel support frames D on both sides to the lifting columns.
- As shown in the figure, install six anti-vibration pads H onto the crossbeam and the panel support frames D.
- Repeat the above steps to complete the installation of the panel support frame and anti-vibration pads on the other side.



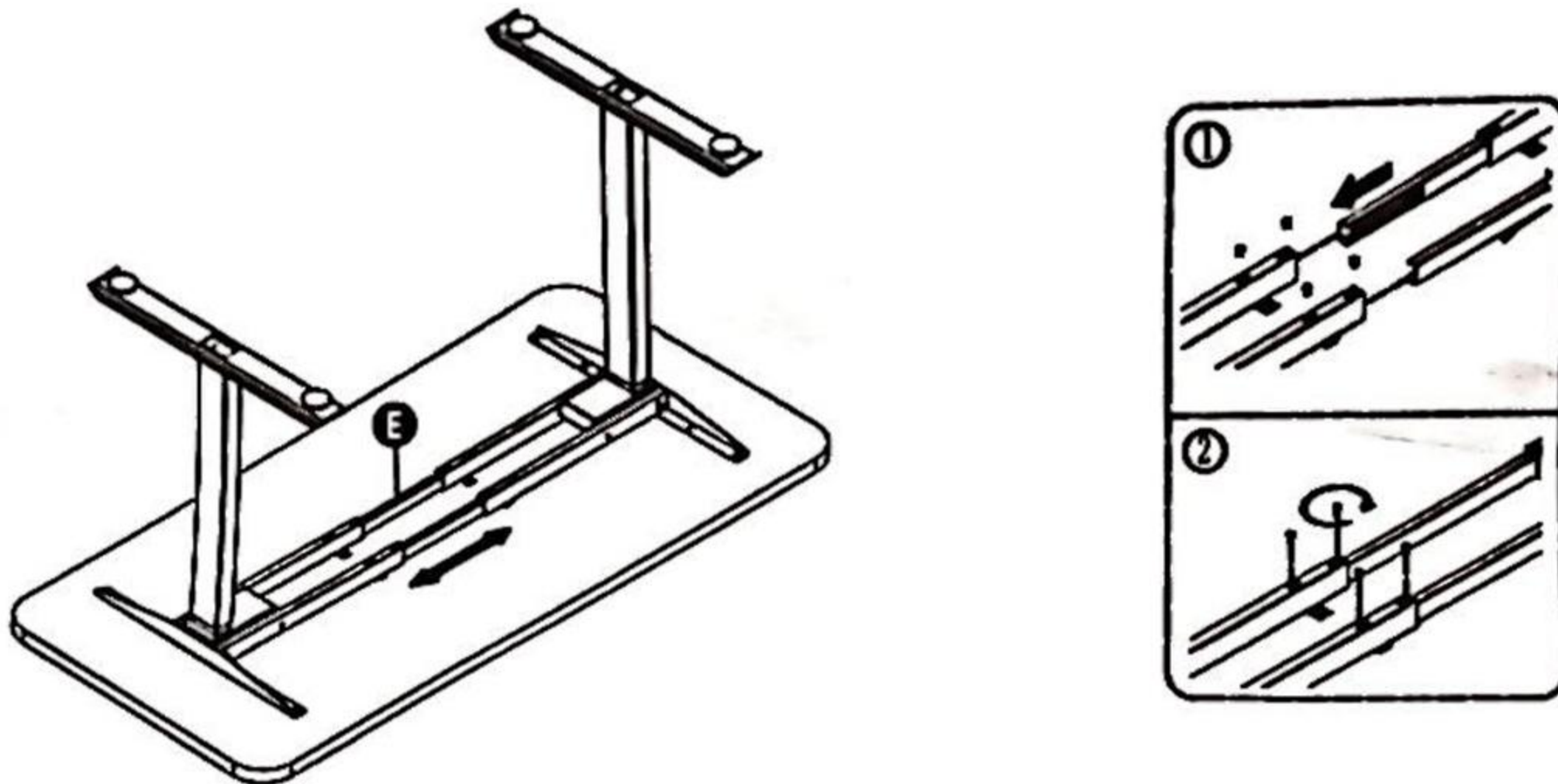
## 3. Install the Base Feet

- Use four M6×14 screws S-C to attach the base feet F to the lifting columns.
- Repeat the above steps to complete the installation of the base feet on the other side.



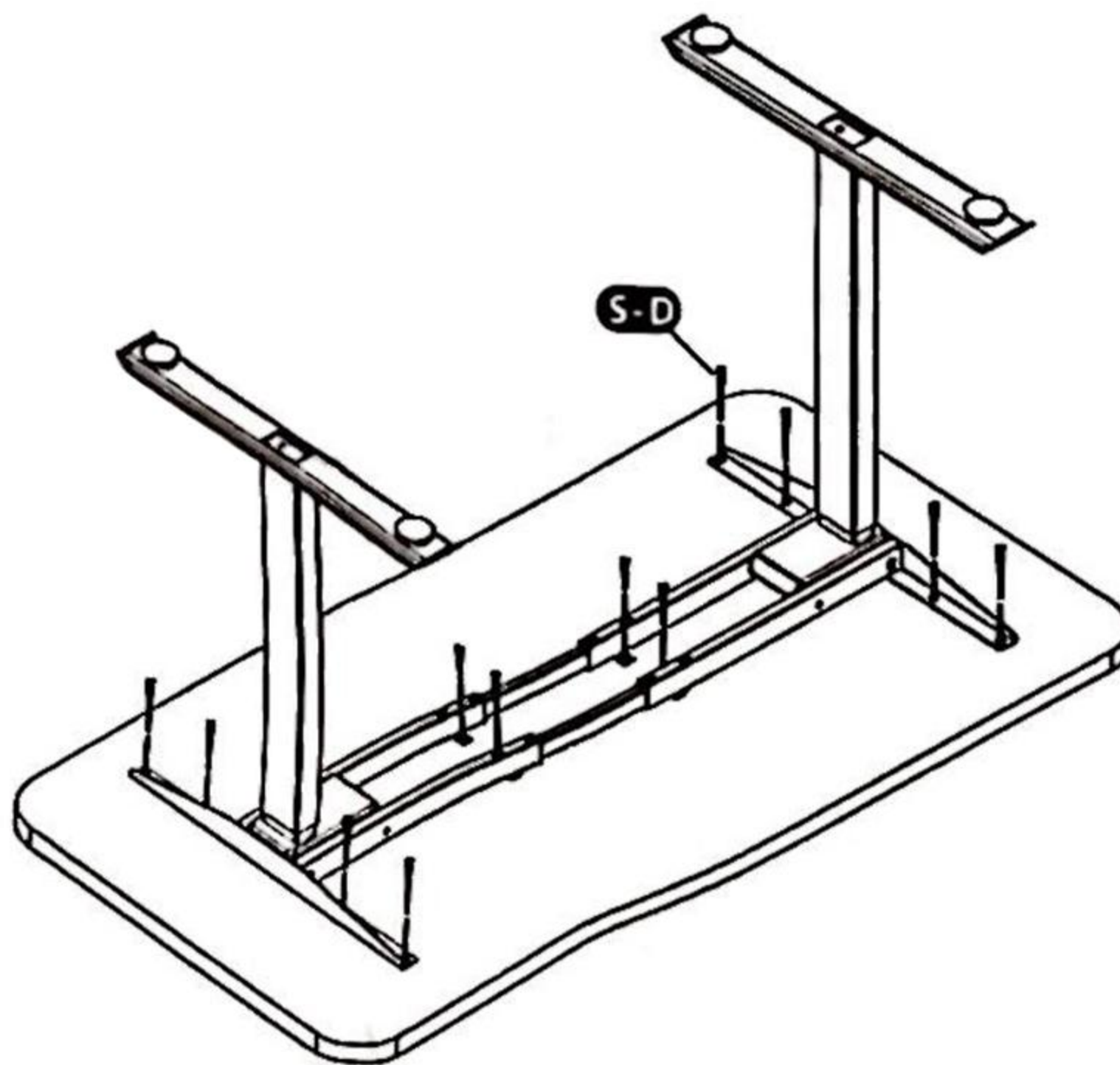
## 4. Adjust the Frame and Install the Crossbeam Tubes

Carefully place the tabletop (not included with the product) upside down on a soft pad or the floor. Position the two table legs on both sides of the tabletop. Adjust the crossbeam positions according to the tabletop dimensions to ensure the frame is centered on the tabletop. As shown in the figure, install the crossbeam tube cores E, and use ① the screws provided with the crossbeam to secure the frame, and ② the S-A screws to secure the frame.



## 5. Install the Tabletop

• As shown in the figure below, use ST5×16 screws S-D to secure the frame to the tabletop.

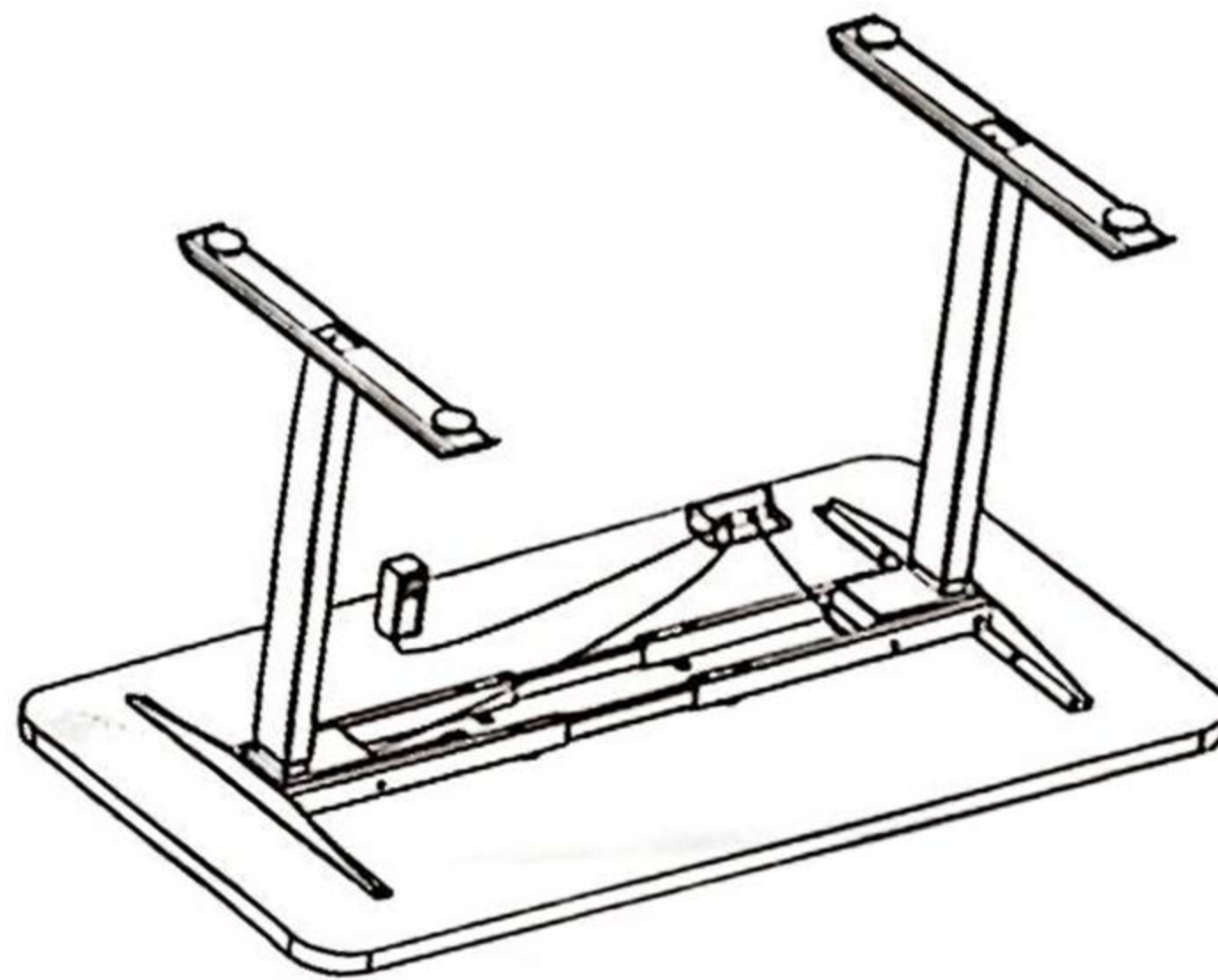


## 6. Connect the Cables

- Connect the controller I and the power adapter G as shown in the figure.
- Connect the control box to the lifting columns on both sides.
- Insert the cable of the power adapter G into the controller I.

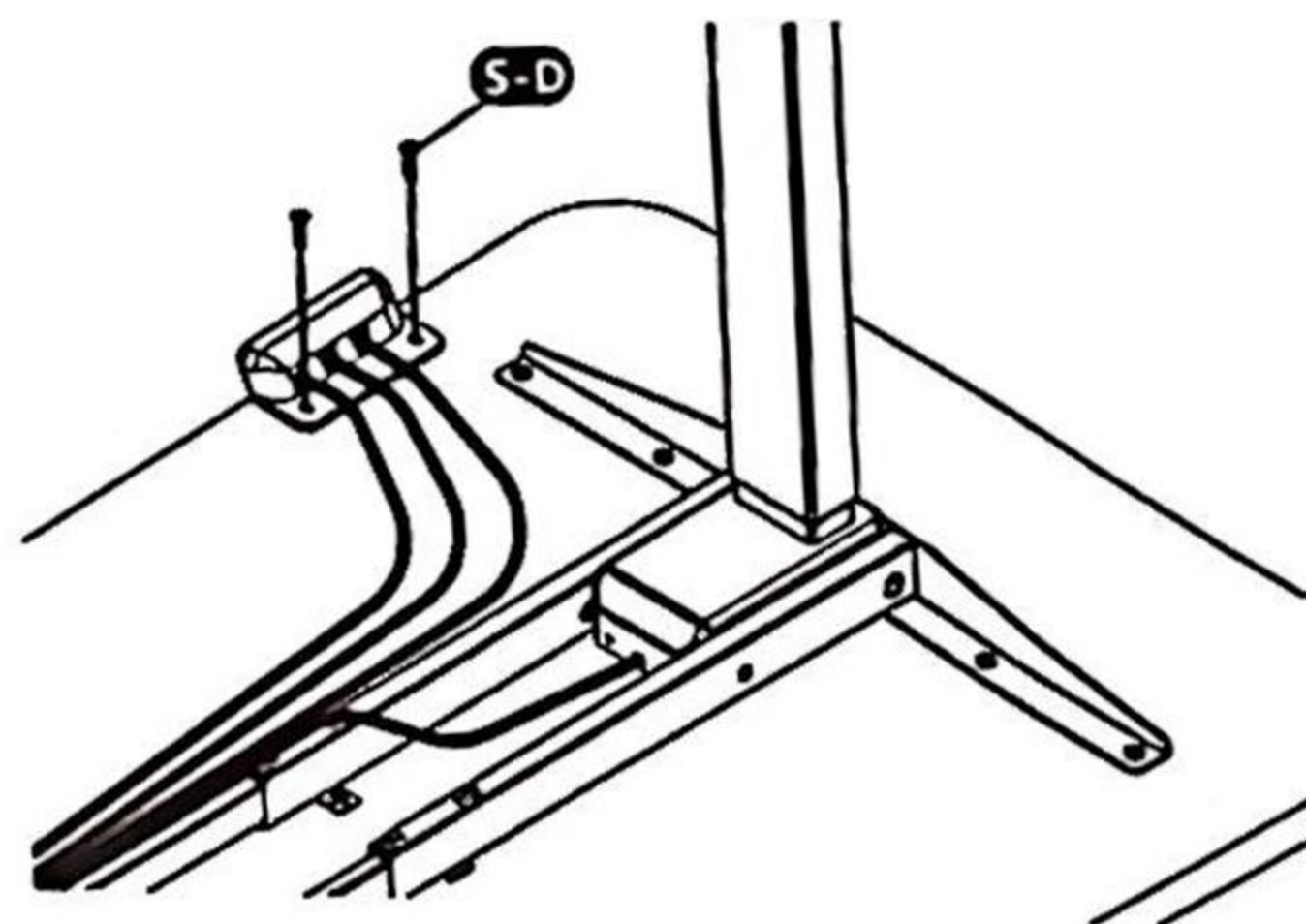
### Note:

- Do not connect the power supply until the height-adjustable desk is fully installed.



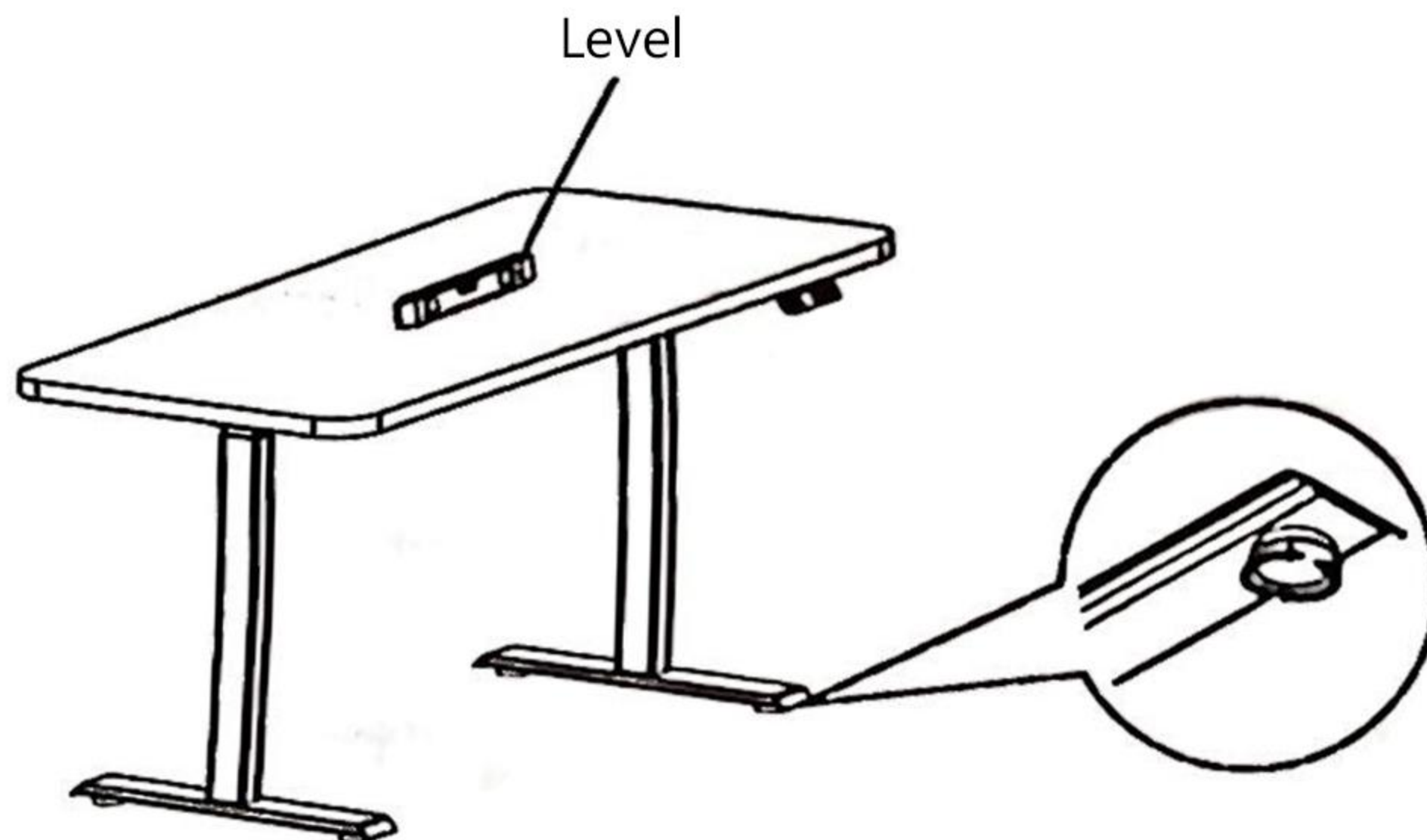
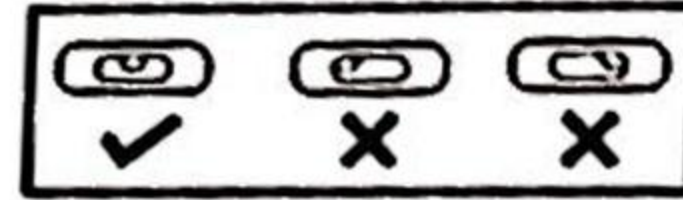
## 7. Install the Control Panel

- Use ST5×16 screws S-D to secure the control box to the tabletop.



## 8. Adjust the Level

- Work together to turn the height-adjustable desk upright.
- If the ground surface is uneven, rotate the leveling feet at the base to adjust the desk level.



### Note

Place a level on the tabletop to check if the desk is level.  
Before using the desk for the first time, the desk level must be reset.

Due to different production batches, some accessories may vary slightly. This does not affect normal use. Thank you for your understanding!