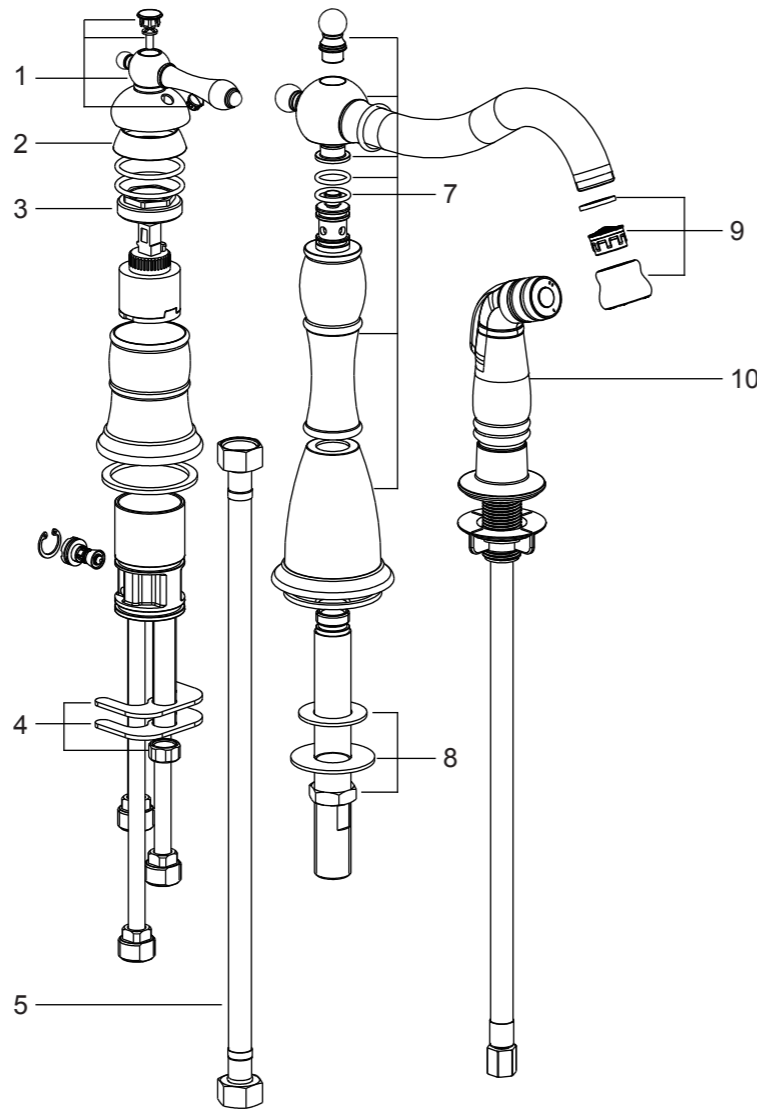


Replacement Parts / Pièces de rechange / Repuestos

UF11040  
UF11043  
UF11045

No.	Description	Part No.
1	Handle Assembly	5Y0204300CP/AP/HA0
2	Cap	5L0P0120CP/AP/HA
3	Bonnet	5T1C0190NT
4	Cartridge	5D0M0047PL
5	Mounting Hardware	5Y0204400CZ0
6	Hose	5G0M0023NC7
7	Spout Assembly	5Y0204500CP/AP/HA0
8	Mounting Hardware	5Y0204600Z0
9	Aerator Assembly	5Y0204700CP/AP/HA0
10	Spray Assembly	5F0M0093CP/AP/HA7



**Limited Lifetime Warranty**

Ultra Faucets warrants to the original purchaser that its products will be free from defects in workmanship and materials. All Ultra Faucets are provided with a life time limited warranty. This warranty does not cover any other labor or service charges associated with the removal, repair, or reinstallation of Ultra Faucets products. This express warranty does not apply to products that have been damaged as a result of misuse, abuse, negligence, accident, faulty installation or maintenance practices and/or used in any manner contrary to those recommended by the manufacturer.

**Need help?** Please call our toll-free customer service line at 1-888-658-5872 for additional assistance or service.

**Besoin d'aide?** Veuillez communiquer avec notre service à la clientèle au numéro gratuit 1-888-658-5872 pour tous renseignements ou services complémentaires.

**¿Requiere asistencia?** Llame a nuestro Servicio al Cliente, sin costo, al 1-888-658-5872 para asistencia adicional o servicio.

**Prime Collection**

Single-Handle Kitchen Faucet With Side-Spray



**Installation/Installation/Instalación**

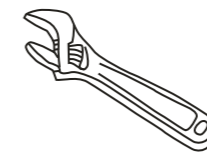
**CUSTOMER SERVICE**

**TOLL-FREE 1-888-OK-ULTRA (658-5872)**



UF11040 - Polished Chrome  
UF11043 - PVD Brushed Nickel  
UF11045 - Oil Rubbed Bronze

**Tools You Will Need / Outils dont vous aurez besoin / Herramientas necesarias**



Adjustable Wrench  
Clé à molette  
Llave ajustable



Groove join pliers  
Pince multiprise  
Pinzas ajustables

**SAFETY TIPS**

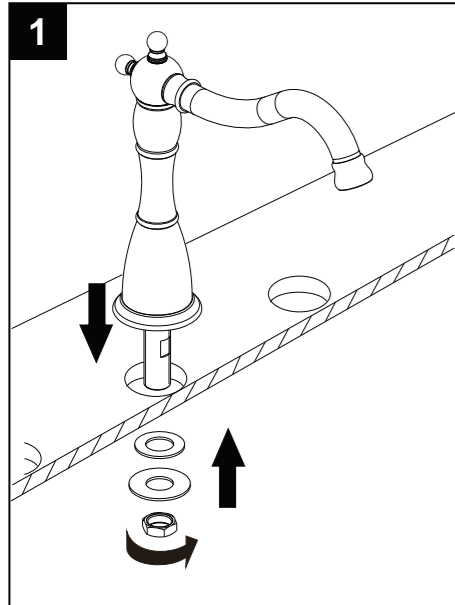
- If you use soldering for the installation of the faucet, the seats, cartridges and washers will have to be removed before using flame. Otherwise, warranty will be void on those parts.
- Cover your drain to avoid losing parts.
- 0°C~55°C.

**CONSIGNES DE SÉCURITÉ**

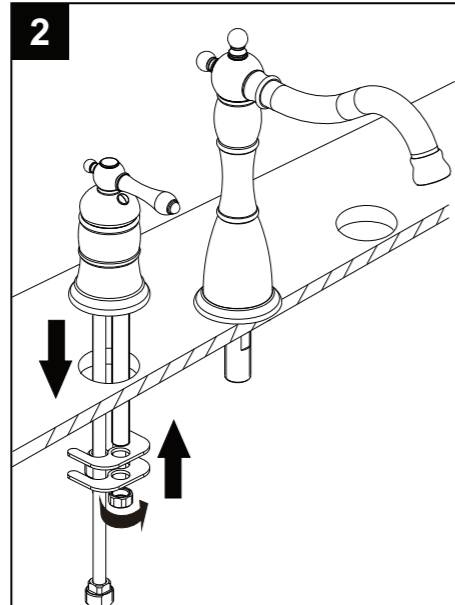
- Si vous posez le robinet par brasage, il est essentiel de retirer les sièges, les cartouches et les rondelles avant d'appliquer la flamme, faute de quoi la garantie sur ces pièces sera annulée.
- Couvrez le drain pour ne pas perdre des pièces.
- 0°C~55°C.

**CONSEJOS DE SEGURIDAD**

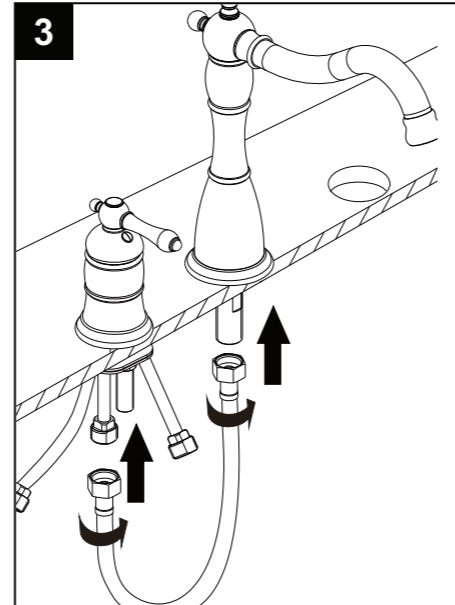
- En el caso de utilizar soldadura para instalar el grifo, remueva los asientos, cartuchos y arandelas antes de usar la llama. De lo contrario, se anulará la garantía para esos componentes.
- Tape la boca del desagüe para prevenir la pérdida de piezas pequeñas.
- 0°C~55°C.



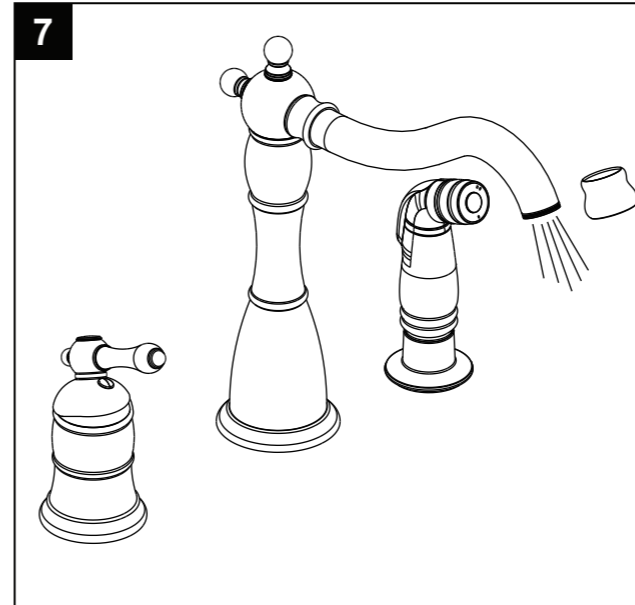
Lower faucet body into mounting hole, tighten the washer and mounting nut to secure it.



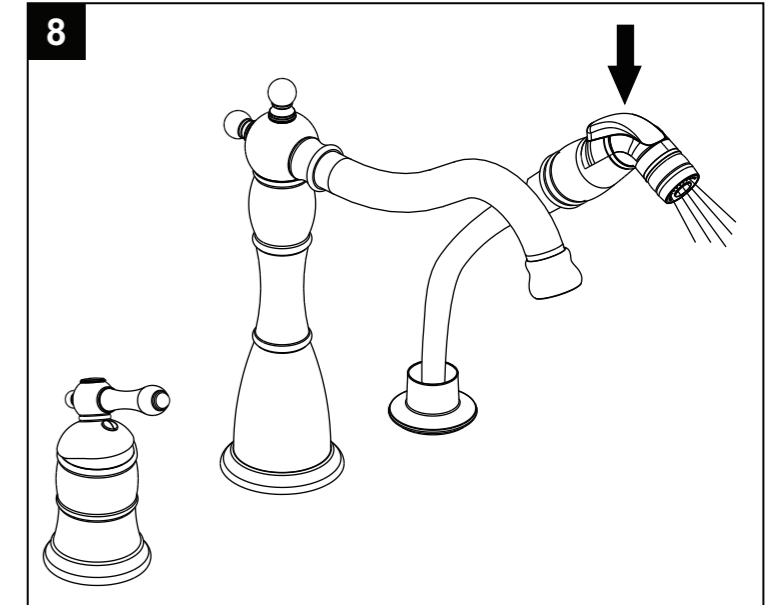
Lower handle into mounting hole, tighten the washer and mounting nut to secure it.



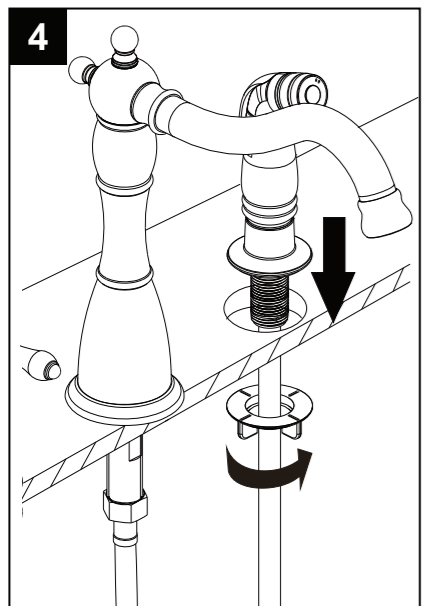
Connect the hose to faucet body and handle.



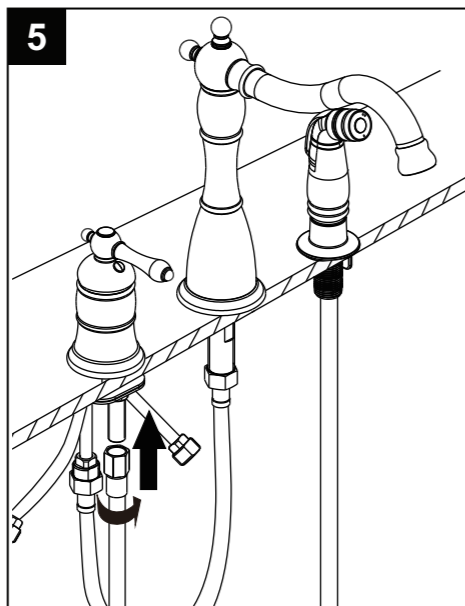
Remove aerator assembly and flush out debris. Reinstall aerator assembly.



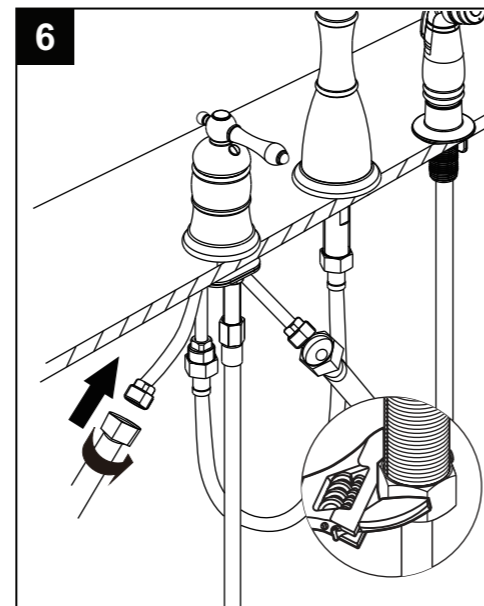
Press the spray head button into the other position as shown, and flush out debris.



Lower sidespray into mounting hole, tighten mounting nut to secure it.



Connect the hose to sidespray and handle.



Connect the inlet hose to handle with a wrench.