

# MANUAL INSTRUCTION

Office Chair



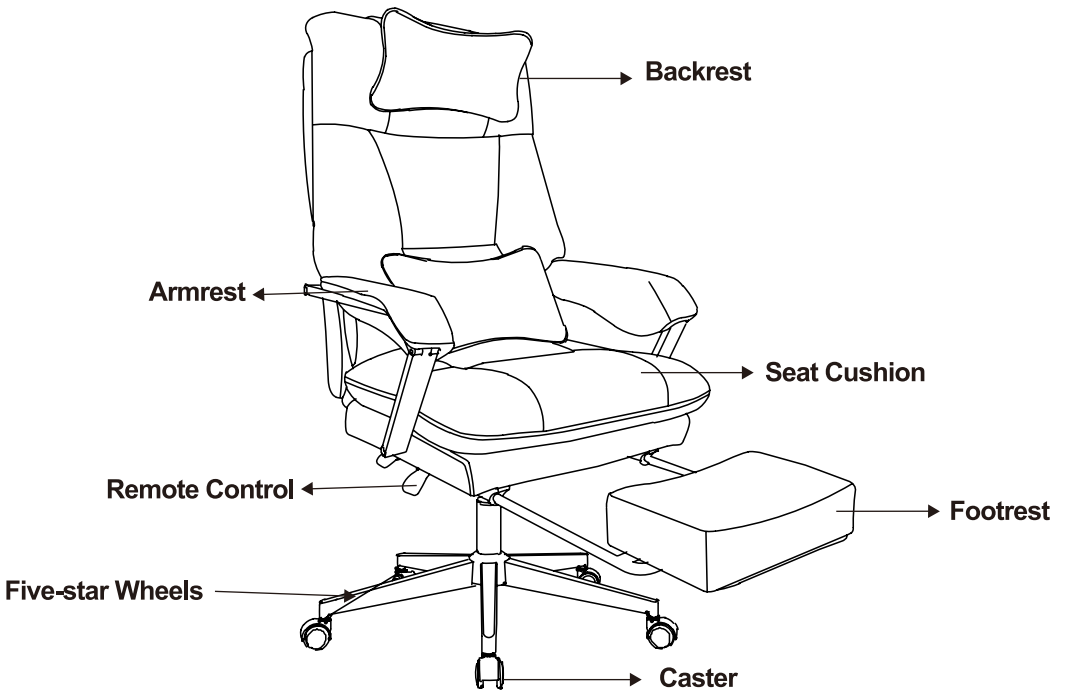
## **ATTENTION**

1. This chair comes with 1 box, please check the parts list and hardware list carefully to make sure you've received all parts.
2. If there are any missing parts, please contact us with the missing part and the missing part number, we'll resend them to you ASAP.
3. If there are any damaged parts, please contact us with clear picture or clear video, we'll offer you the best solution after confirming it.

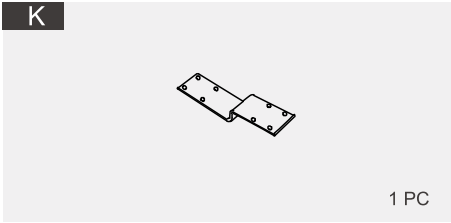
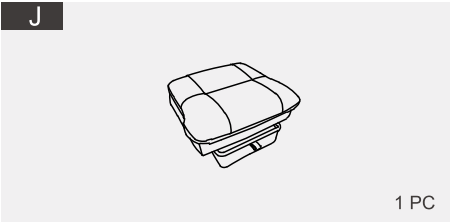
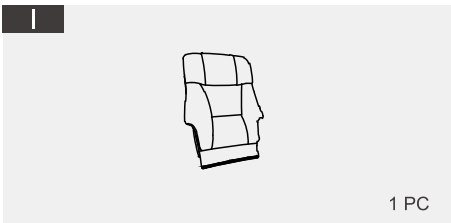
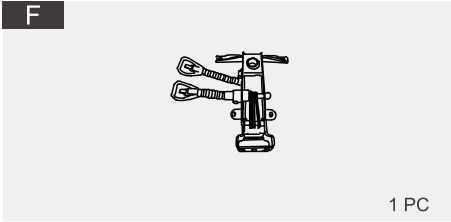
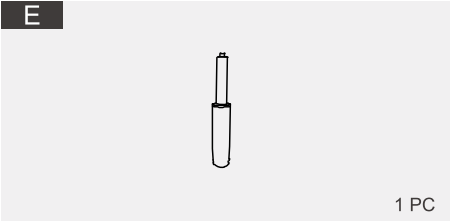
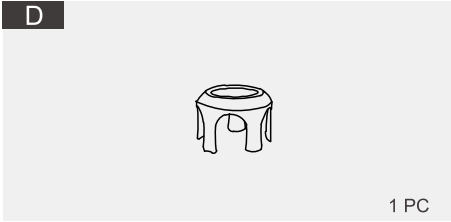
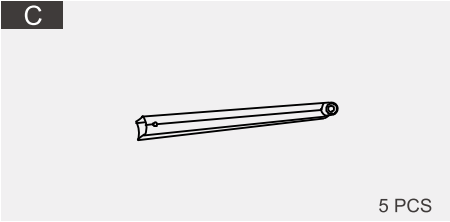
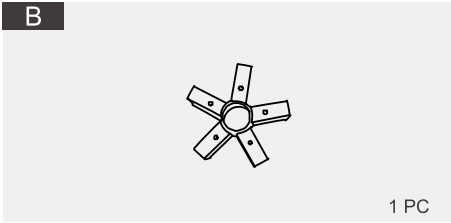
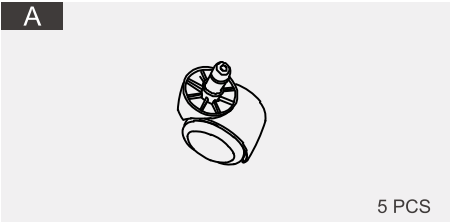
## **⚠️ WARRANTY AND RETURN**

- We offer 1 year warranty and free replacement for all damaged or defective parts you received. Check the condition of your package once upon the delivery.
- If you have any questions, please contact our customer service immediately.

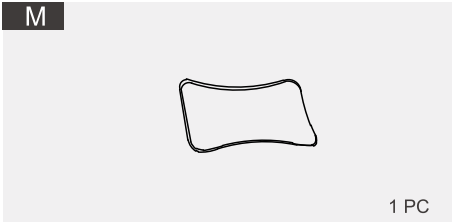
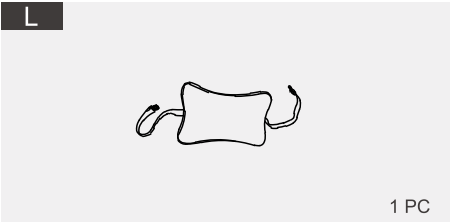
# ASSEMBLY INSTRUCTIONS



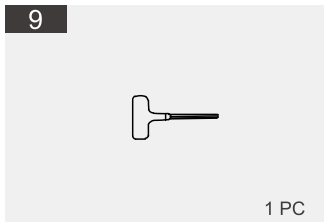
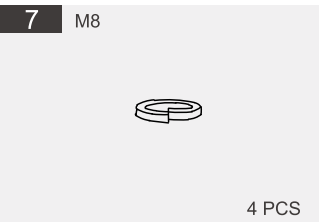
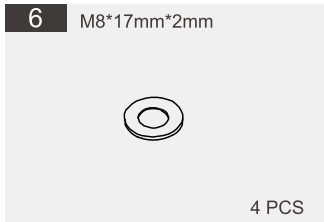
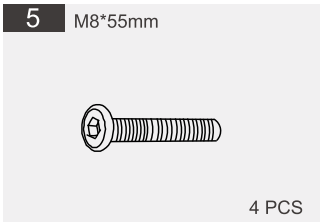
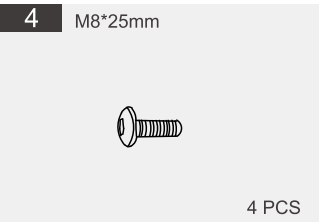
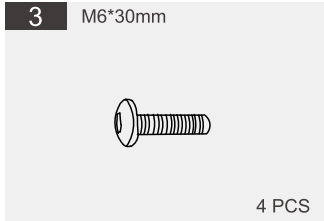
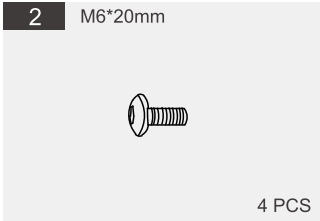
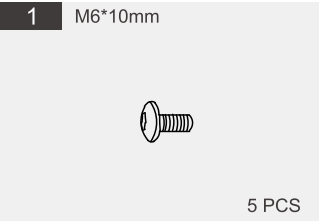
# PARTS



# PARTS

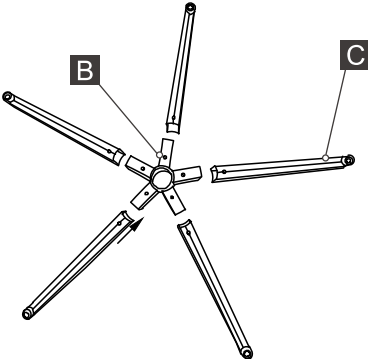


# HARDWARE

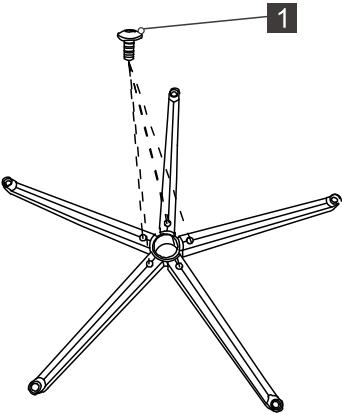


# I PRODUCT ASSEMBLY

1

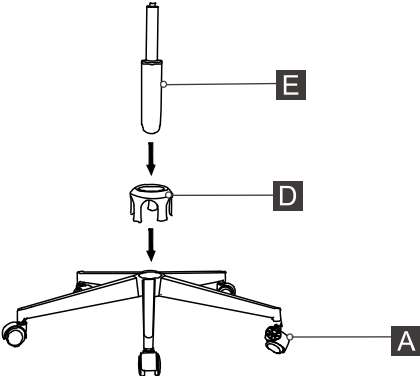


2

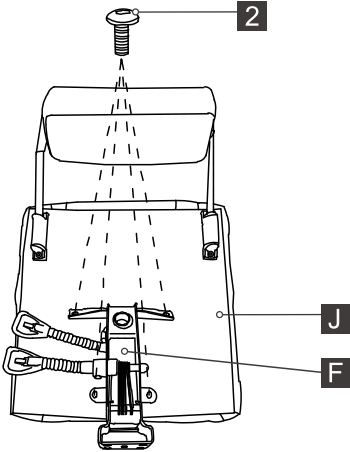


# I PRODUCT ASSEMBLY

3

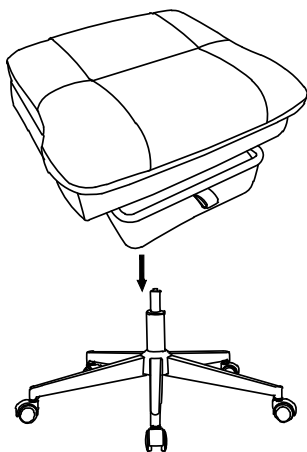


4

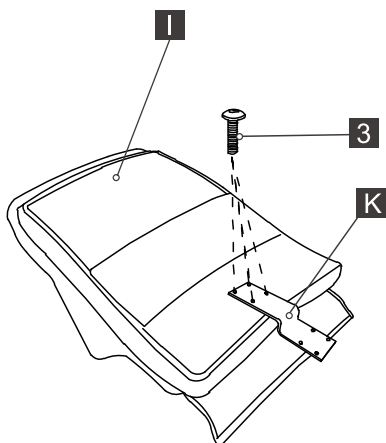


# I PRODUCT ASSEMBLY

5

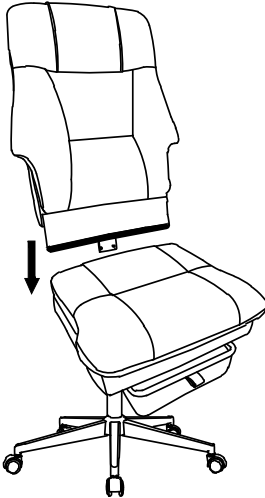


6

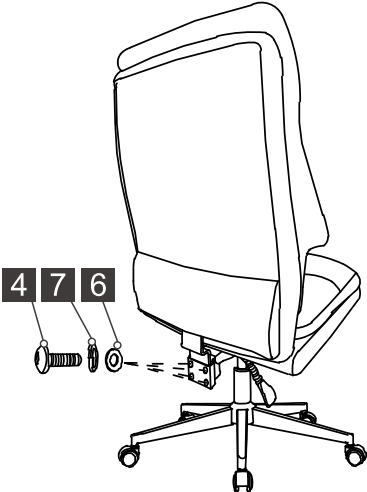


# I PRODUCT ASSEMBLY

7

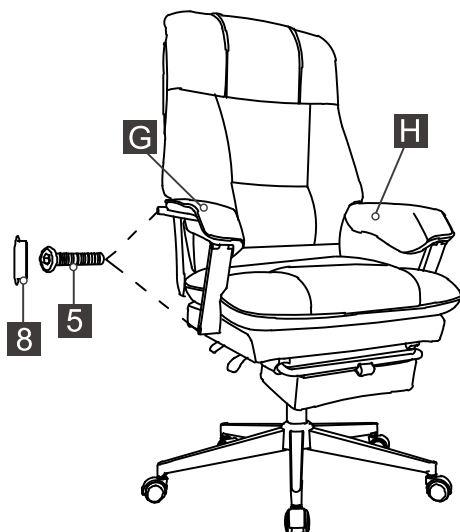


8

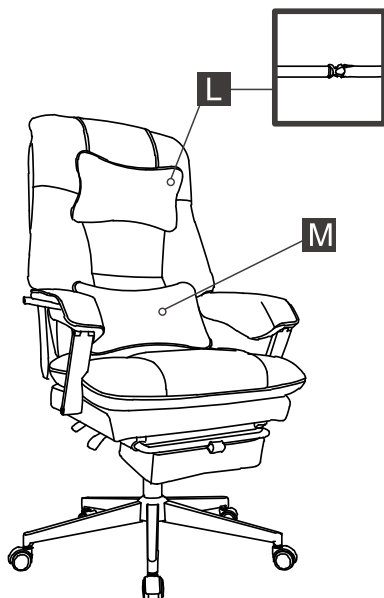


# I PRODUCT ASSEMBLY

9



10



# I PRODUCT ASSEMBLY

11



12

