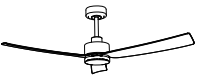


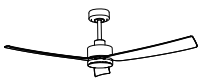
***Ceiling Fan***  
***Installation Instruction***



# SAFETY INFORMATION

Please read all safety information and instructions before installing the ceiling fan and save this manual for future reference.

<b>SAFETY INFORMATION</b>	<b>01</b>
<b>PRE-INSTALLATION</b>	<b>02</b>
<b>PARTS LIST</b>	<b>03</b>
<b>INSTALLATION INSTRUCTION</b>	<b>04</b>
<b>OPERATION INSTRUCTION</b>	<b>07</b>
<b>TROUBLESHOOTING</b>	<b>10</b>



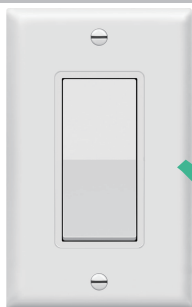
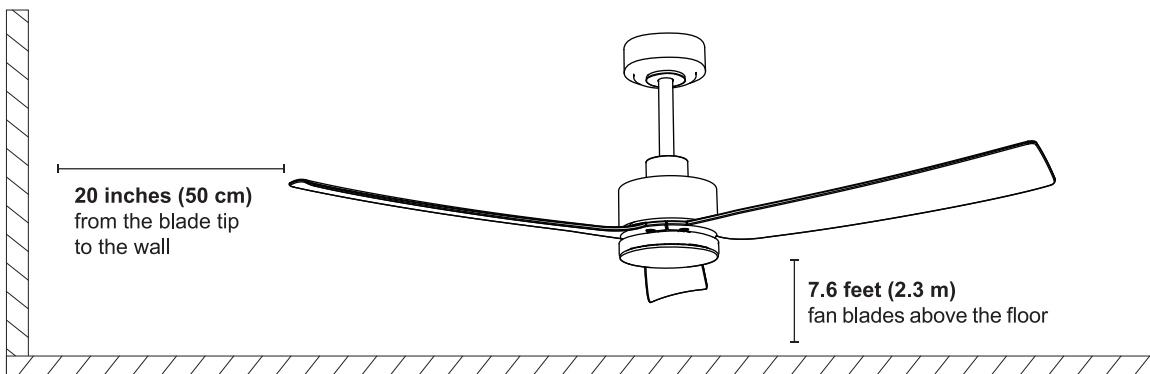
# SAFETY INFORMATION



**WARNING**

- Before connecting the power supply, make sure that the power supply used matches the specifications of the ceiling fan.
- All wiring must comply with national and local electrical codes ANSI/NFPA70. If you are not familiar with wiring, please use a qualified electrician.
- To reduce the risk of fire or electric shock, turn off the power to the fuse box or circuit breaker before installing the fan.
- To reduce the risk of personal injury, attach the fan directly to the building's support structure and ensure that it can accept at least 35 pounds (15.9 kg).
- Make sure that the installation location allows the fan blades to rotate without obstacles.

## Installation Location



**WARNING**

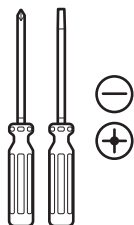
- Do not operate this fan with a variable (Rheostat) wall controller or dimmer switch.
- Doing so could result in damage to the ceiling fan's remote control unit.

## PRE-INSTALLATION

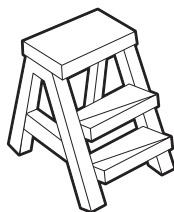
### Tools Required (Not Included)



Power Drill



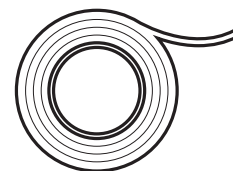
Screwdriver



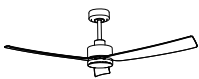
Step Ladder



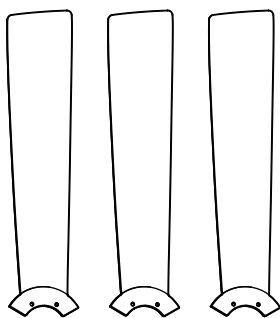
Wire Stripper



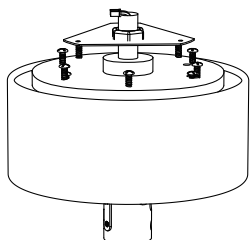
Electrical Tape



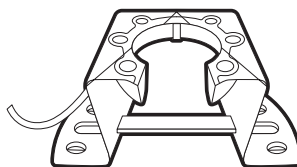
# PARTS LIST



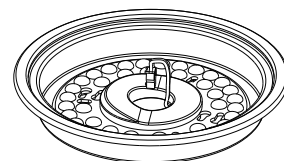
Fan Blade X 3



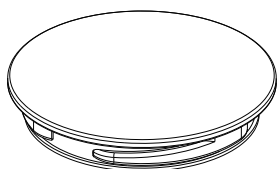
Motor X 1



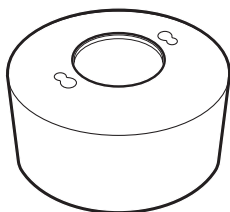
Mounting Bracket X 1



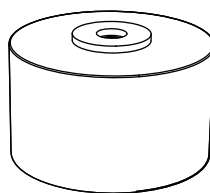
LED & LED light Pan X1



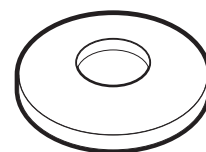
Lampshade X 1



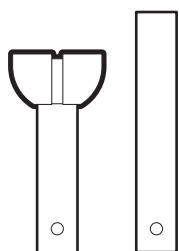
Canopy X 1



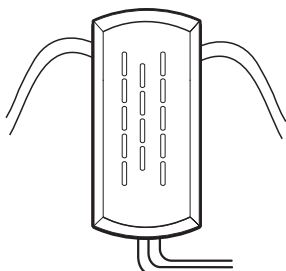
Coupling Cover X 1



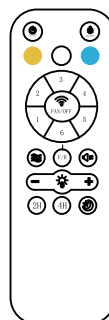
Canopy Cover X 1



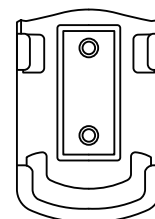
Downrod x 2



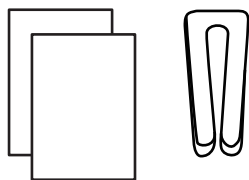
Receiver X 1



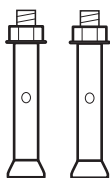
Remote Control X 1



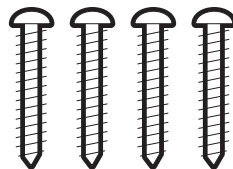
Remote Control Bracket X 1



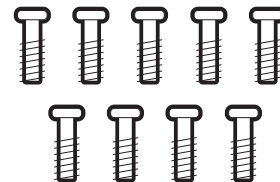
Balance Kit X 2



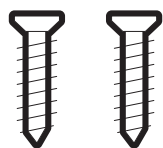
Expansion Bolt X 2



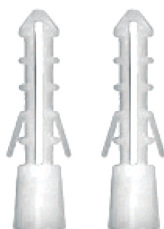
Self-tapping Screw X 4



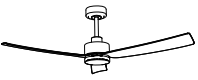
Blade screw X 9



Remote Bracket  
Screw X 2

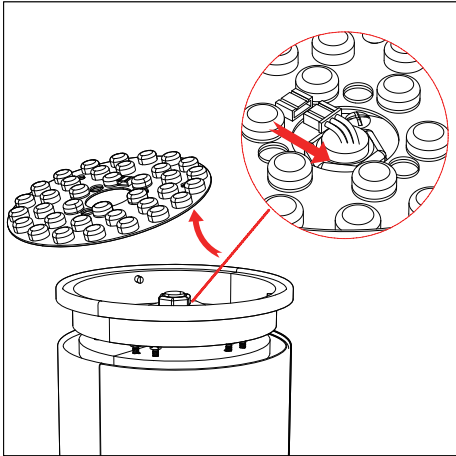


Aircraft Cap X 2

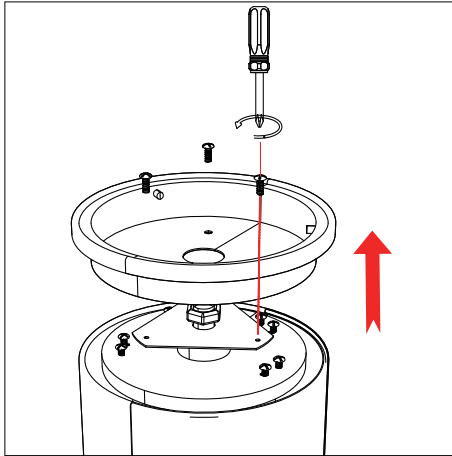


# INSTALLATION INSTRUCTION

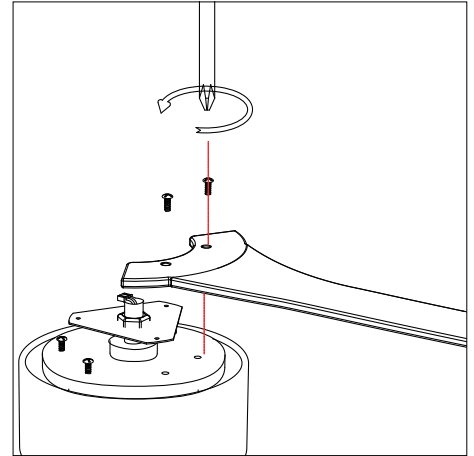
## Step 1: Fan Blade Installation



① Separate the terminal connector and remove the LED light from the LED light panel.

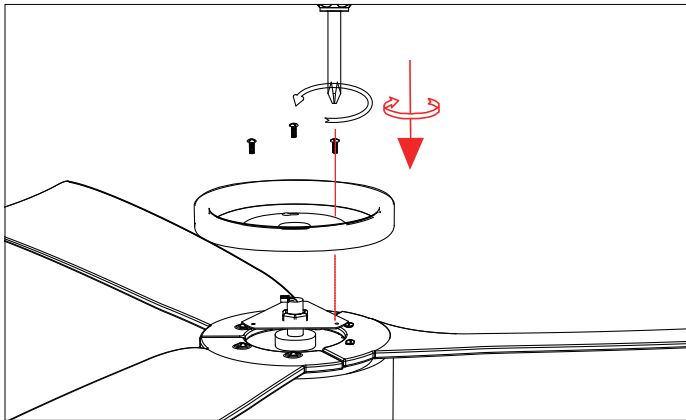


② Loosen the three screws on the LED light pan and remove the LED light pan.

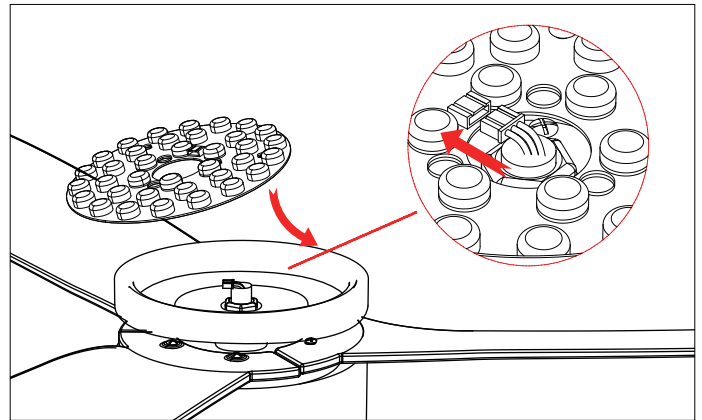


③ Align the screw holes on the blade and motor, and fix them with screws.

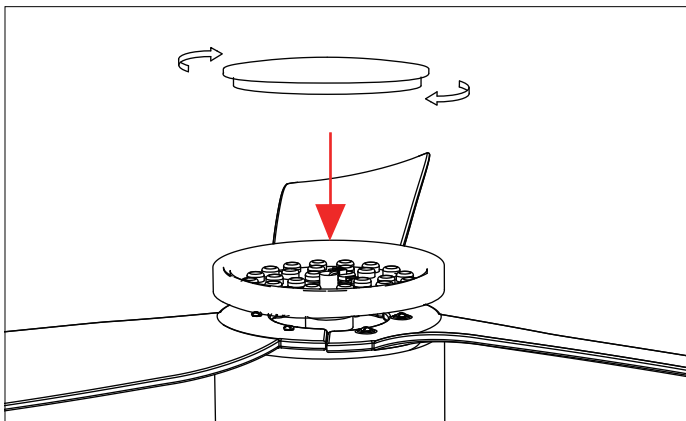
## Step 2: Light Kit Installation



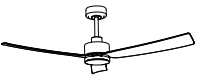
① Route the motor wires through the LED light panel, then align and tighten the screws into the appropriate holes.



② Connecting the light wire to the terminals on the LED light pan.



③ Put the lampshade to the LED light pan, tighten the lampshade clockwise.



### Step 3: Downrod Installation

(Select the downrod as your needs before installation. Change the downrod head as below)

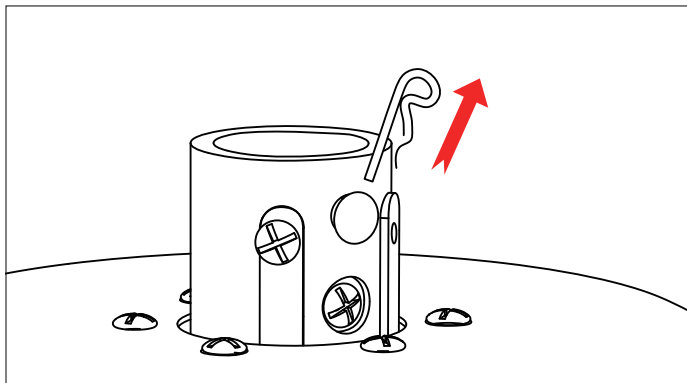
#### How to choose different lengths of downrod

1. The ceiling of the house is 100 inches from the ground, suitable for installing a 7.8 inch downrod.
2. The ceiling distance of the house is 110 inches, which is suitable for installing a 13.8 inch downrod.
3. The ceiling of the house is 120 inches from the ground, which is suitable for installing a 14-inch downrod.
4. If the space requires a longer boom, you will need to use a longer extension wire, the wire thickness should be selected close to the motor wire thickness, too thick or too thin (changing the resistance required by the receiver), the motor may not work.

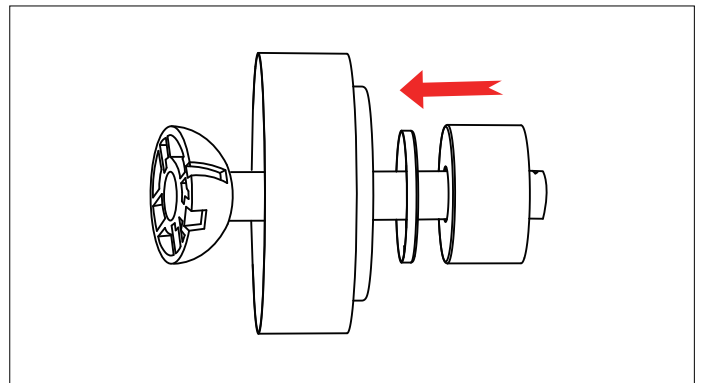
**NOTICE**  
If the house suitable for installing a 1.5m(590 inches), it should a new controller, Please contact us for customization

If you need to change different length downrod, please follow these steps:

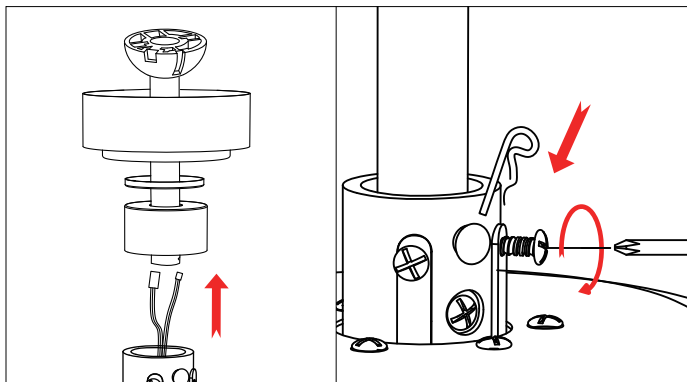
- 1 Loosen the screws on the hanging ball.
- 2 Remove the metal bar.
- 3 Take off the hanging ball from the original downrod.
- 4 Install the hanging ball to an appropriate downrod.
- 5 Insert the metal bar .
- 6 Tighten the screws.



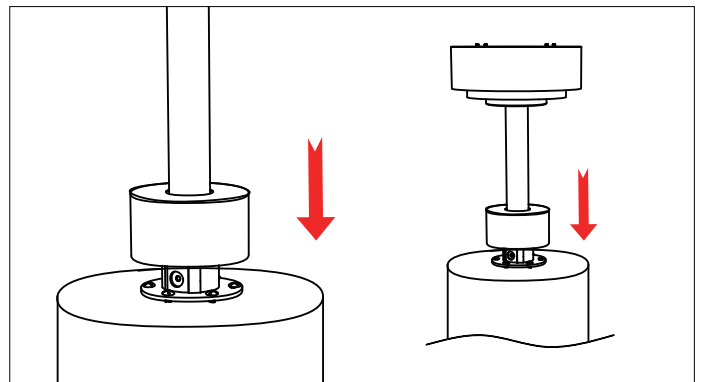
①Take out clevis pin on the motor.



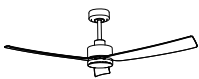
②Assemble the canopy, canopy cover and coupling cover to the downrod in turn.



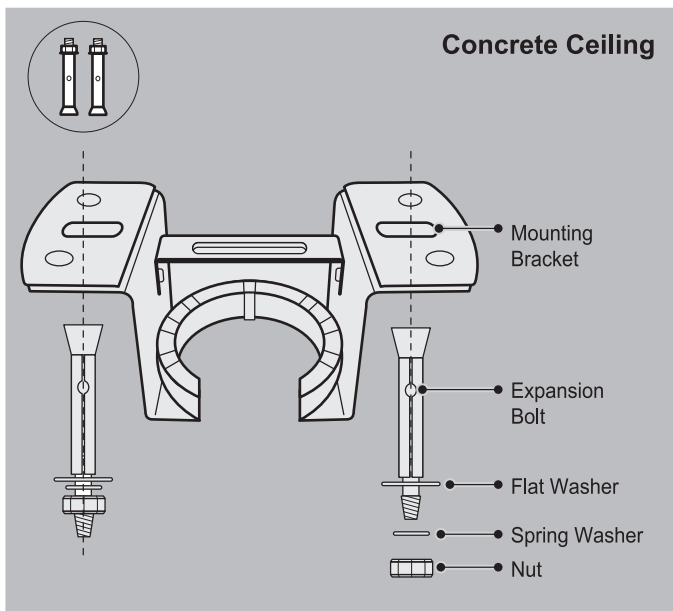
③Thread the motor wire through the lower pull rod, lock the fixing screw with the clevis pin, and tighten the motor screw.



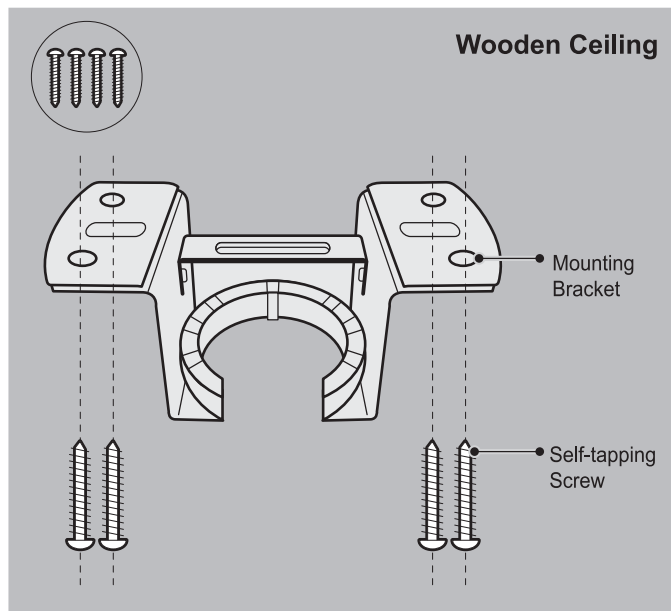
④Toggle the coupling Cover down to cover the screw and the clevis pin.



## Step 4: Mounting Bracket installation

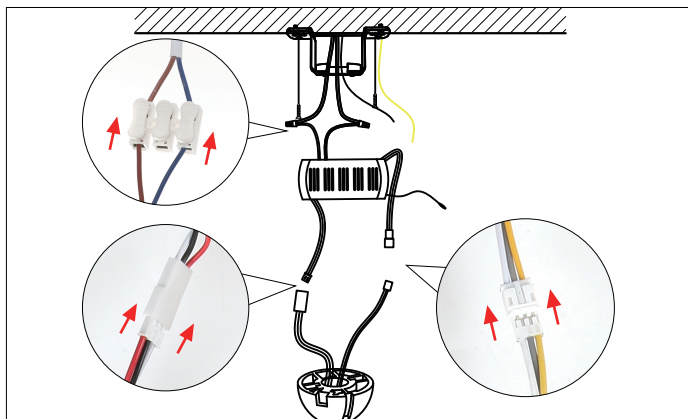


**For the concrete ceiling:**  
 begin by marking the location on the ceiling.  
 Then, use the 2 expansion screws provided to drill 2 holes in the ceiling, which will help secure the ceiling bracket. Attach the mounting bracket to the building structure using the 2 expansion screws provided, and tighten them firmly.

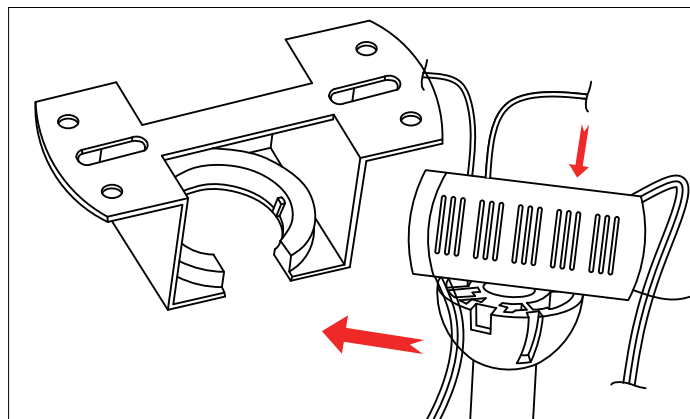


**For the wood ceiling:**  
 Start by marking the location for the ceiling fan.  
 Then, use the 4 wood screws provided to securely attach the mounting bracket to the building structure.

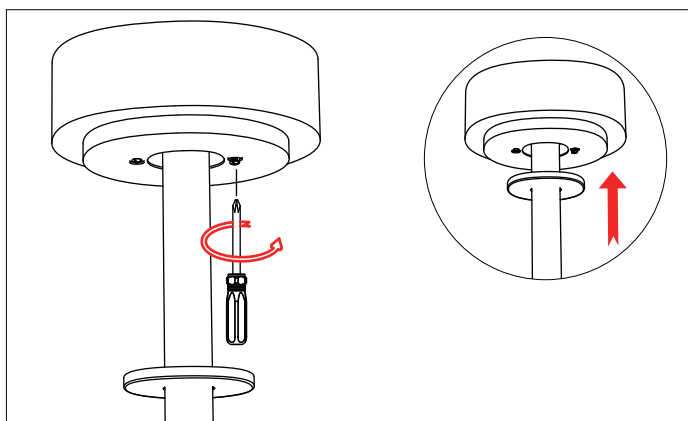
## Step 5: Assembled Fan installation



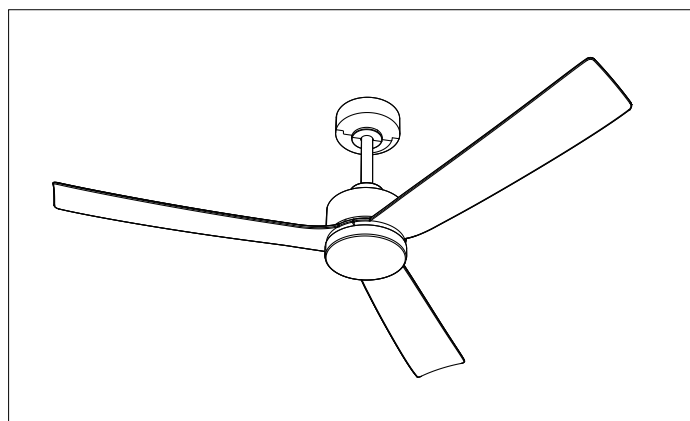
① The receiver is connected to the motor power cord and the ceiling power cord respectively.



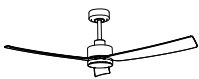
② Put the receiver into the mounting bracket.



③ Canopy cover on, rotate, tighten the screws.  
 Toggle the canopy cover upwards to cover the exposed screws using the magnet.

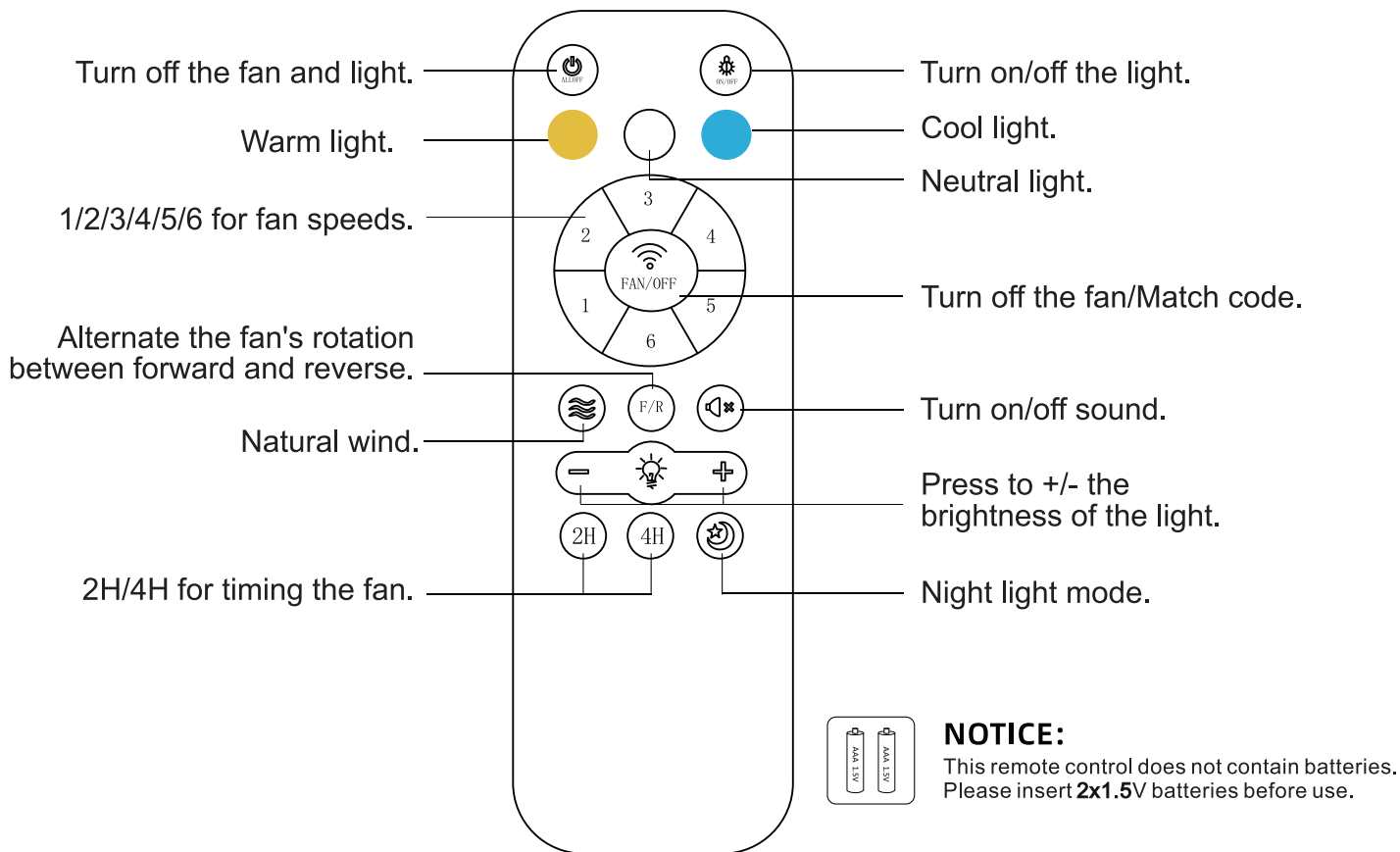


④ Complete.



# OPERATION INSTRUCTION

## How to Operate Your Ceiling Fan

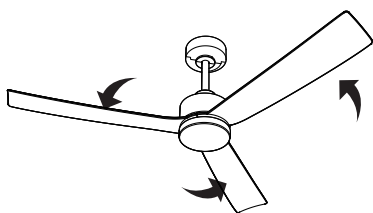


If remote control no function, please match code as below:

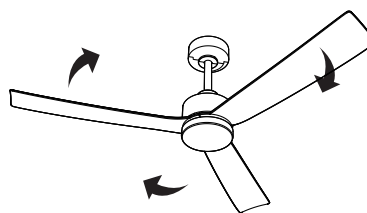
When the lamp is powered on, quickly press the  key within 5 seconds. The light flash, means the code matching is successful.

Otherwise, turn off the main power supply of the lamp and then reoperate this step until the light flashe and the code matching is successful.

### Reversible Function



**Summer (Forward):**  
A downward airflow creates a cooling effect.




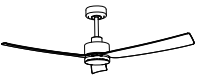
**Winter (Reverse):**  
An upward airflow increases the indoor temperature.

PS: If you want to change the fan's rotation direction, please press the button while the fan is running.

### Timing Control

2H/4H The fan will automatically shut off after 2H/4H hours.

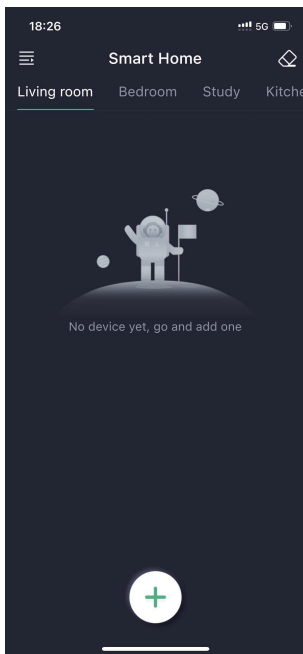
Close the Timing Control: Press the button "



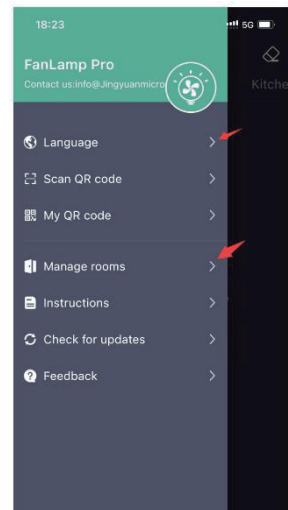
## How TO Use the Mobile APP



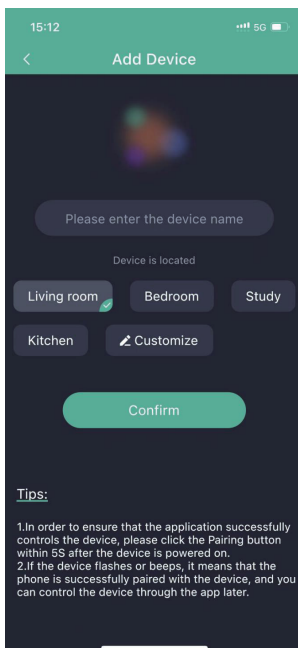
1. Scan the barcode and download the FANLAMPPRO APP  
(Andriod could download from GOOGLE PLAY STORE)



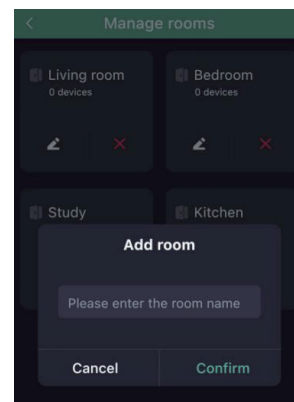
2. Choose the Language and Manage room information



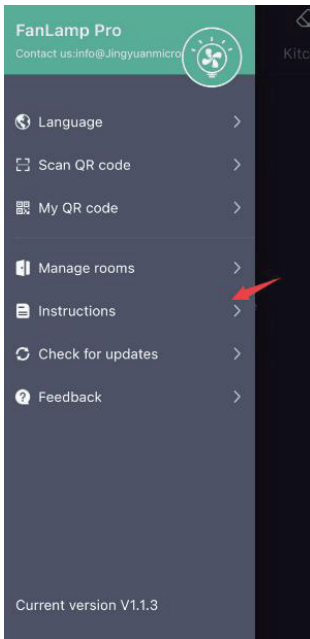
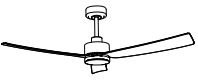
3. Add a new fan.



4. Choose a name for a new fan and select the room where it is located

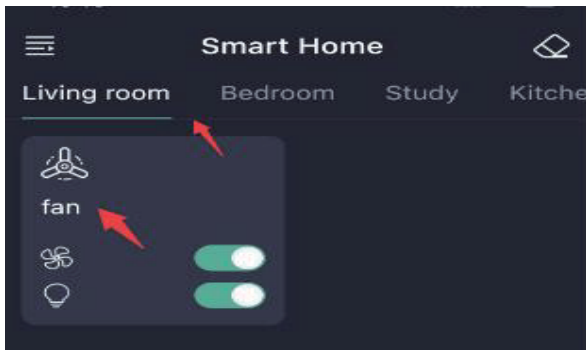
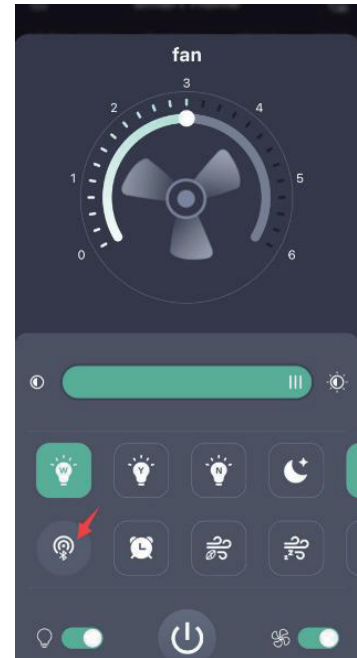


5. In case, it isn't located in one of the predetermined locations, select the Personalize option and add a new room.

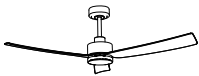


6. Follow APP's instruction to operate the ceiling fan.  
NOTE: Only one device can be paired.  
Once a new device is paired,the previous device will no longer be.

7.Enter the main control interface,turn on the Bluetooth from smart phone, turn off the electric power supply, and then turn on the electric power supply again, the LED of the ceiling fan is bright and the Bluetooth of device is ready for connecting to smart phone. Finally, click the Pairing Button in APP within 5 seconds of power. If the pairing button is green, the ceiling fan has been connected with smart phone. APP can control the ceiling fan now.



8.Enter room and Click the Fan control interface.



## TROUBLESHOOTING

**Warning:** For your own safety turn off power at fuse box or circuit breaker before trouble shooting your fan.

TROUBLE	Probable Cause	Suggested Remedy
FAN AND LIGHT DO NOT WORK BUT WIRES CONNECTED WELL	The AC power from wall controller or dimmer switch.	Do not operate this fan with a variable ( Rheostat )wall controller or dimmer switch. Choose the switch as this introduction showed.
FAN WILL NOT START	<ol style="list-style-type: none"> <li>1.Fuse or circuit breaker blown.</li> <li>2.Loose power line connections to the fan, or loose switch wire connections in the switch housing.</li> <li>3.Reversing switch in neutral position.</li> <li>4. Dead battery in remote control.</li> </ol>	<ol style="list-style-type: none"> <li>1.Check main and branch circuit fuses or circuit breakers.</li> <li>2.Check line wire connections to fan and switch wire connections in the switch housings.</li> <li><b>CAUTION:</b> Make sure main power is turned off !</li> <li>3.Make sure reversing switch position is all the way to one side.</li> <li>4.Replace with new battery.</li> </ol>
FAN SOUNDS NOISY	<ol style="list-style-type: none"> <li>1.Loose screws in motor housing.</li> <li>2.Wire connectors inside housing rattling.</li> <li>3.Motor noise caused by solid state variable speed control.</li> </ol>	<ol style="list-style-type: none"> <li>1.Check to make sure all screws in motor housing are snug (do not overtighten).</li> <li>2. Check to make sure wire connectors in switch housing are not rattling agai nst each other or against the interior wall of the switch housing.</li> <li><b>CAUTION:</b> Make sure main power is turned off !</li> <li>3.Some fan motors are sensitive to signals from solid-state variable speed controls. Solid-state controls are not recommended, choose an alternative controlmethod.</li> </ol>
FAN WOBBLES EXCESSIVELY	<ol style="list-style-type: none"> <li>1.Setscrew in downrod support is loose.</li> <li>2.Setscrew in downrod/hanger ball assembly is loose.</li> <li>3.The groove hanger ball not lined up with the tab.</li> <li>4.Hanger bracket and/or ceiling outlet box is not securely fastened.</li> </ol>	<ol style="list-style-type: none"> <li>1.Tighten both setscrews securely in downrod support.</li> <li>2.Tighten the setscrew in the downrod/hanger ball assembly.</li> <li>3.Re-hanging the hanger ball secure the tab into the groove.</li> <li>4.Tighten the hanger bracket screws to the outlet box, and secure outlet box.</li> </ol>