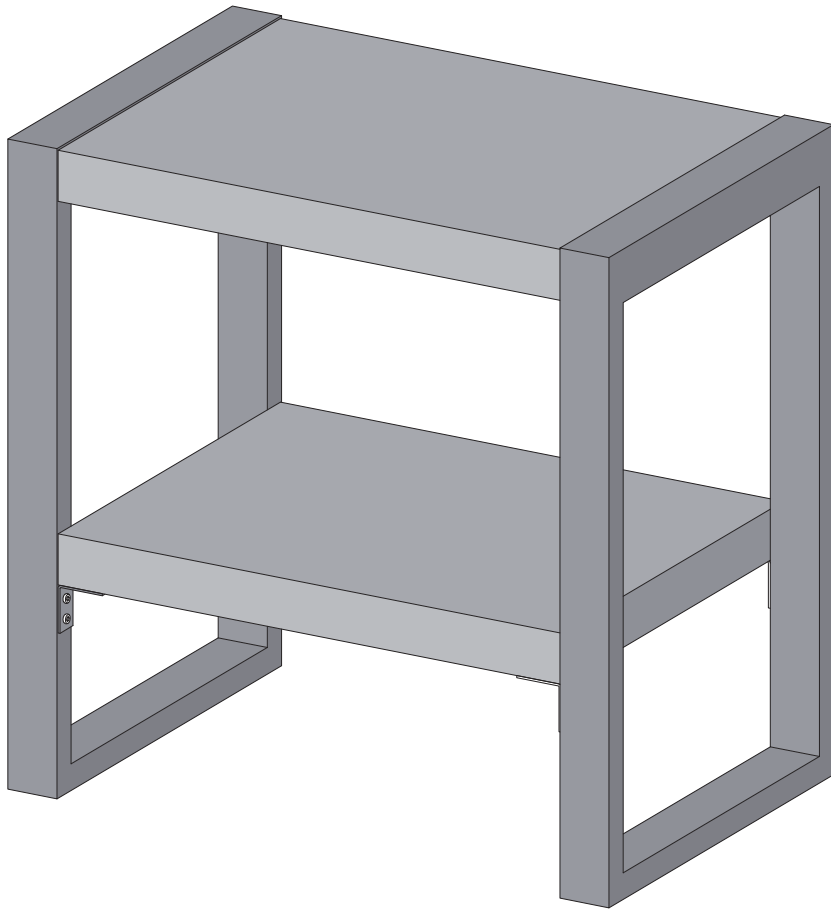
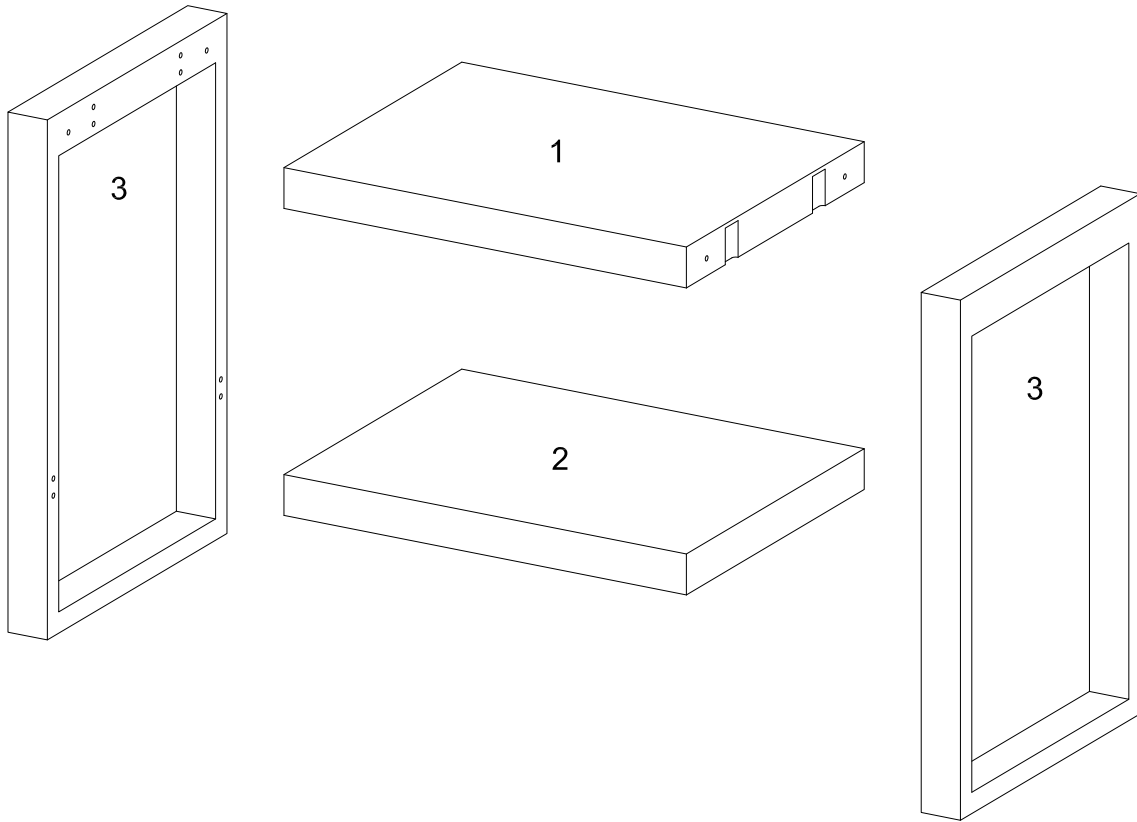


Assembly Instructions



Please visit our website for the most current instructions, assembly tips, report damage, or request parts.

Parts List

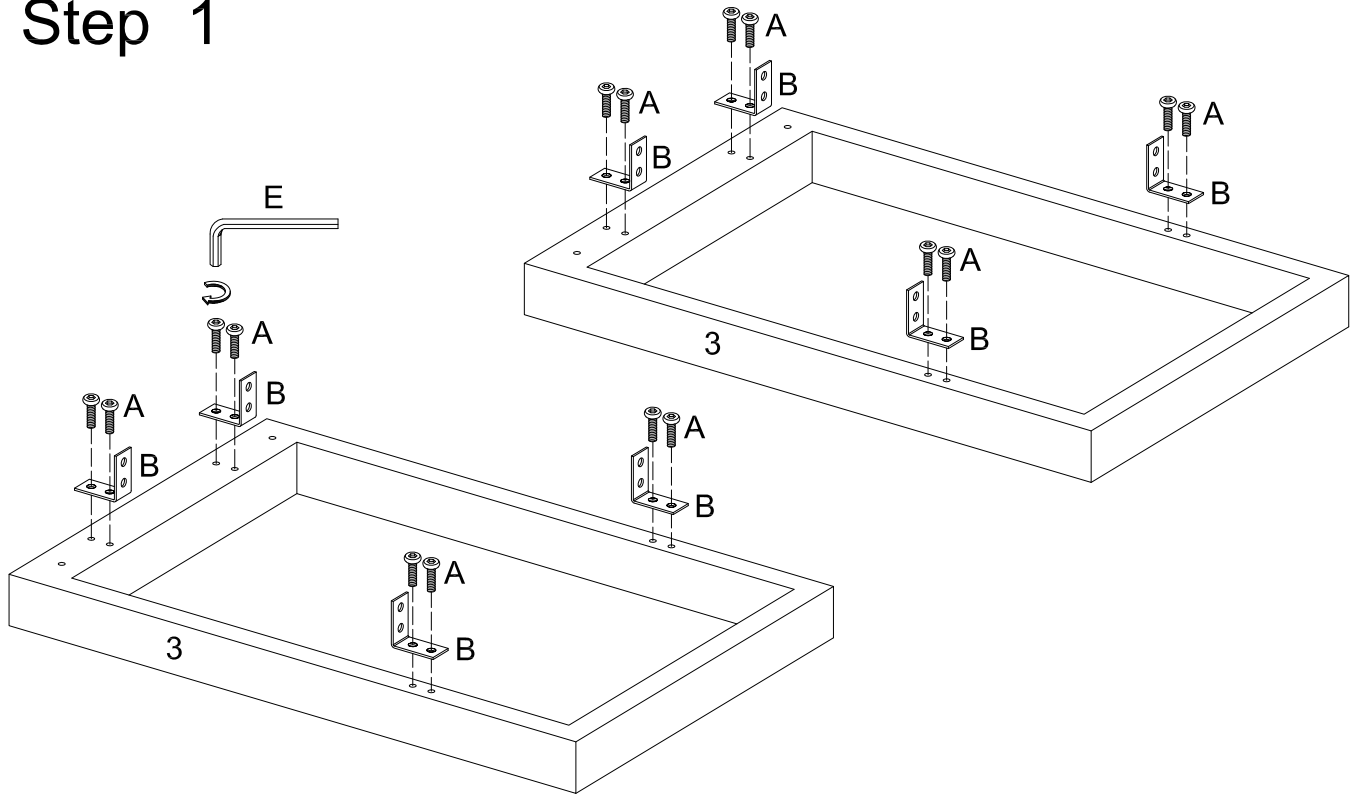


Hardware List

A		M6*12mm	Bolts	32 pcs
B			Angle brackets	8 pcs
C		M6*60mm	Bolts	4 pcs
D			Washer	4 pcs
E		M6	Wrench	1 pc

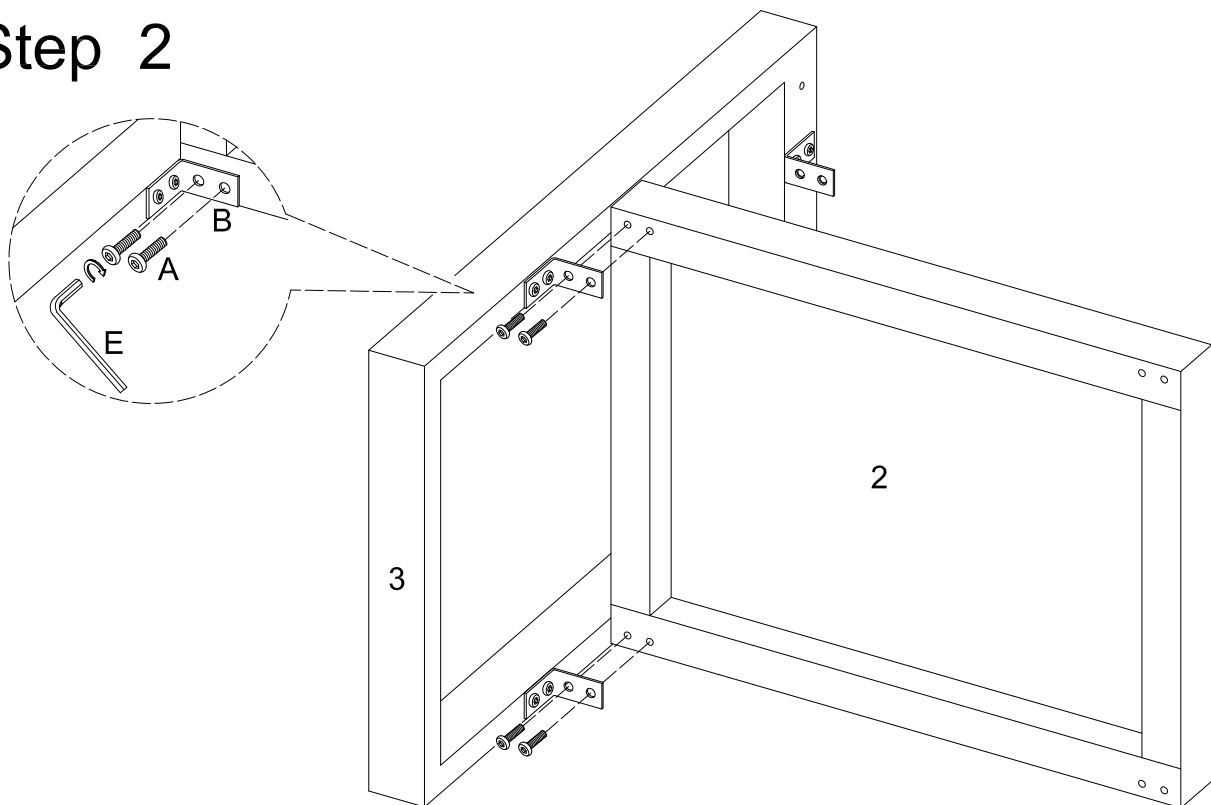
*The hardware quantities listed above are required for proper assembly.
Some extra hardware may also have been included.*

Step 1



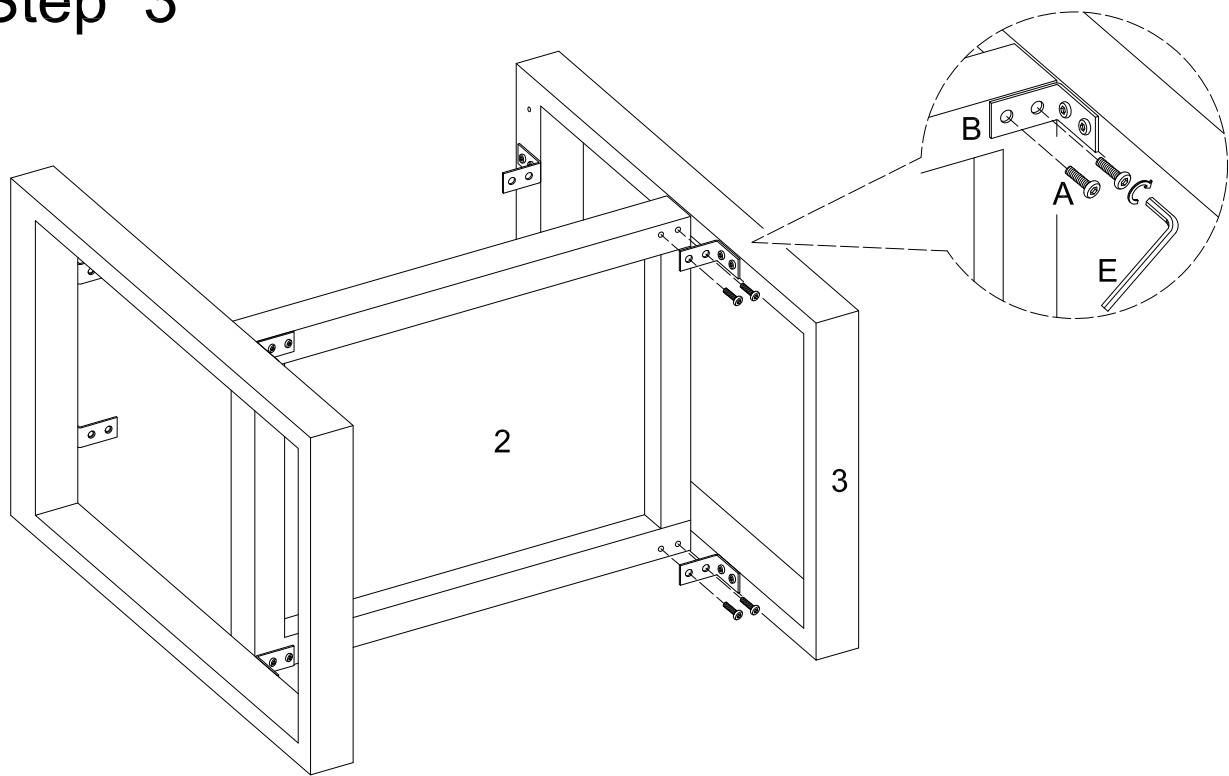
Secure angle brackets (B) to metal legs (3) using bolts (A) as shown in the diagram.

Step 2



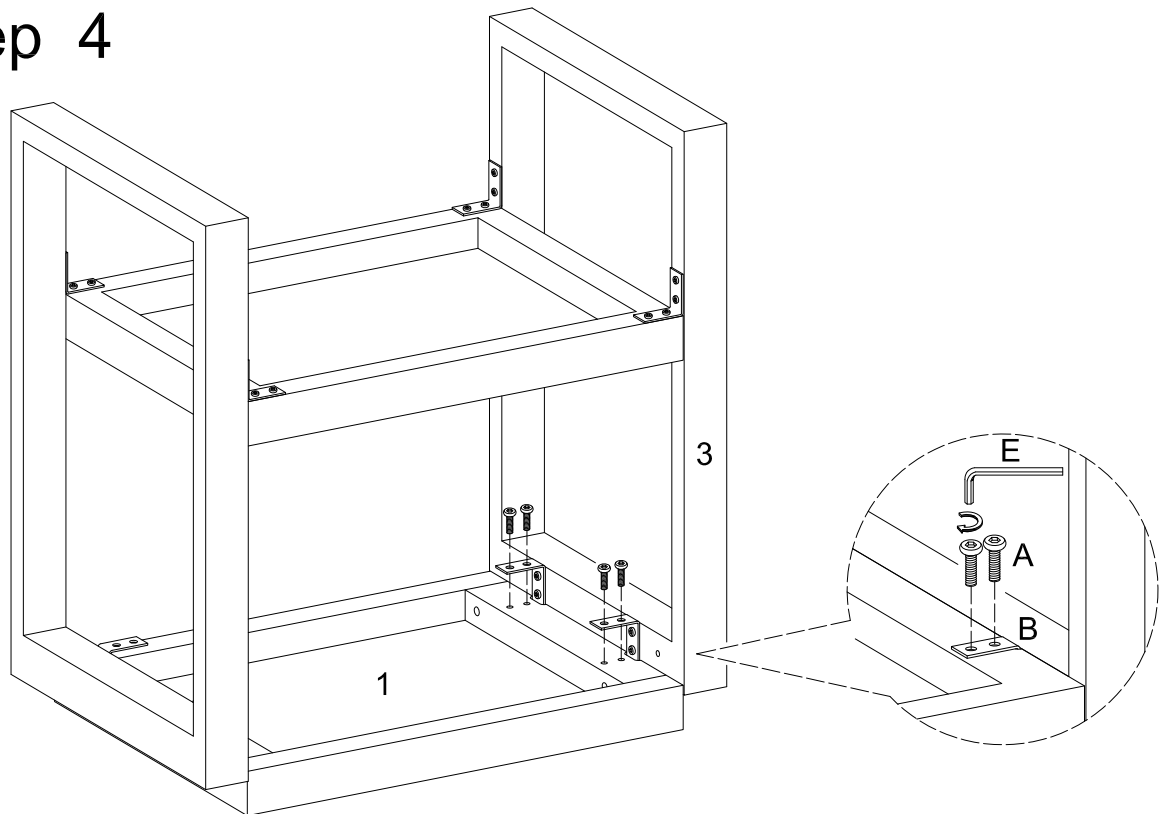
Attach bottom shelf (2) to left metal leg (3) using bolts (A).

Step 3



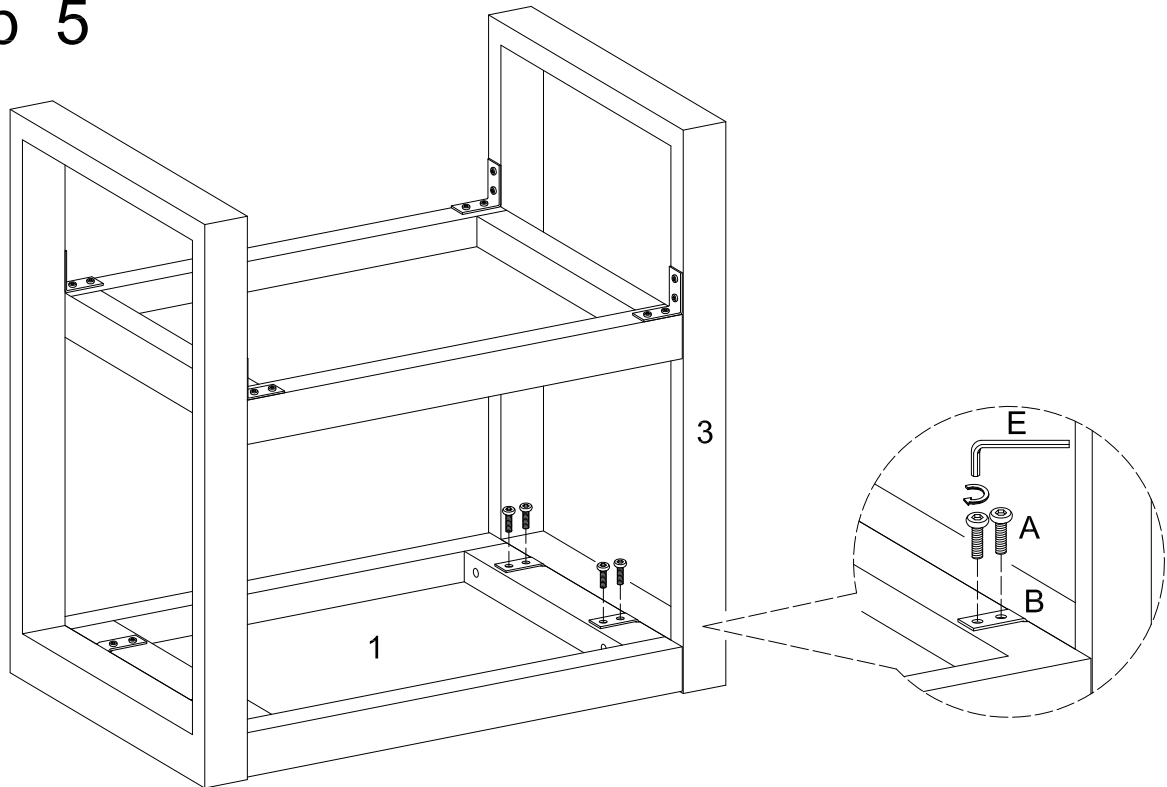
Attach bottom shelf (2) to right metal leg (3) using bolts (A).

Step 4



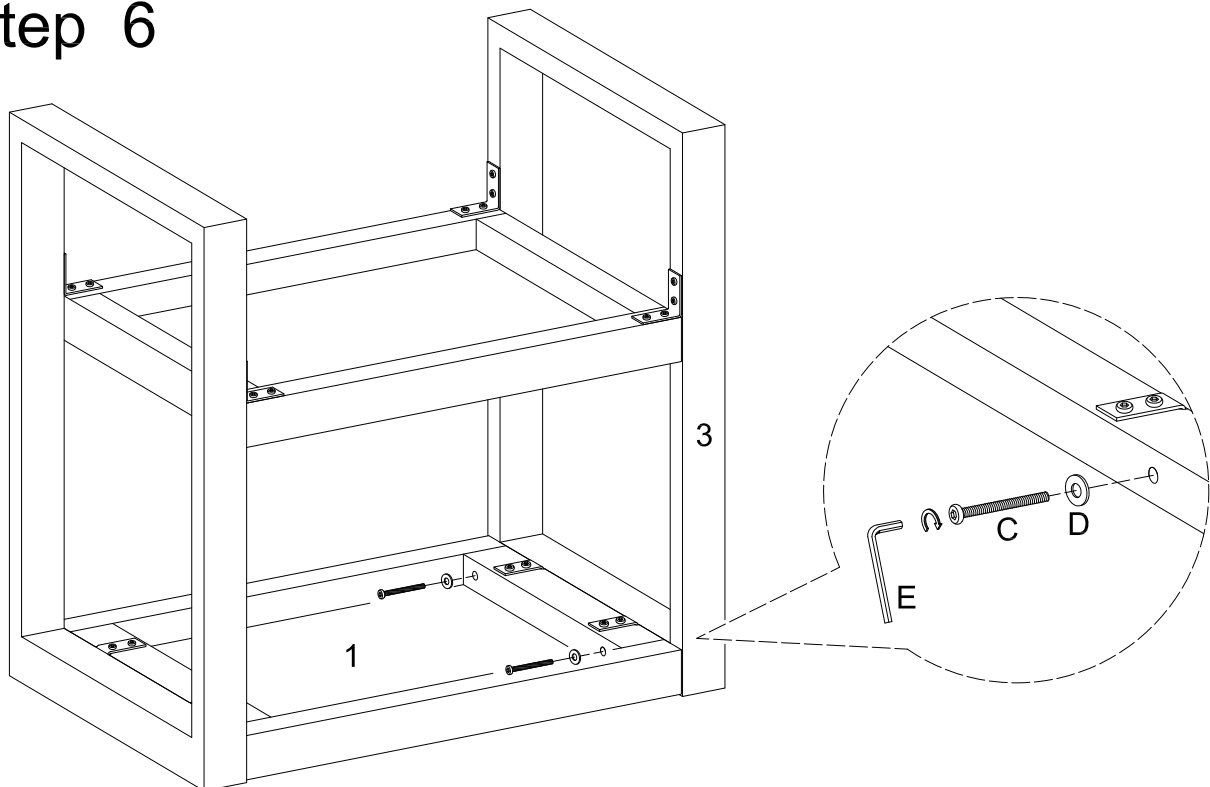
Turn the leg assembly upside down and attach top panel (1) to the right leg assembly using bolts (A).

Step 5



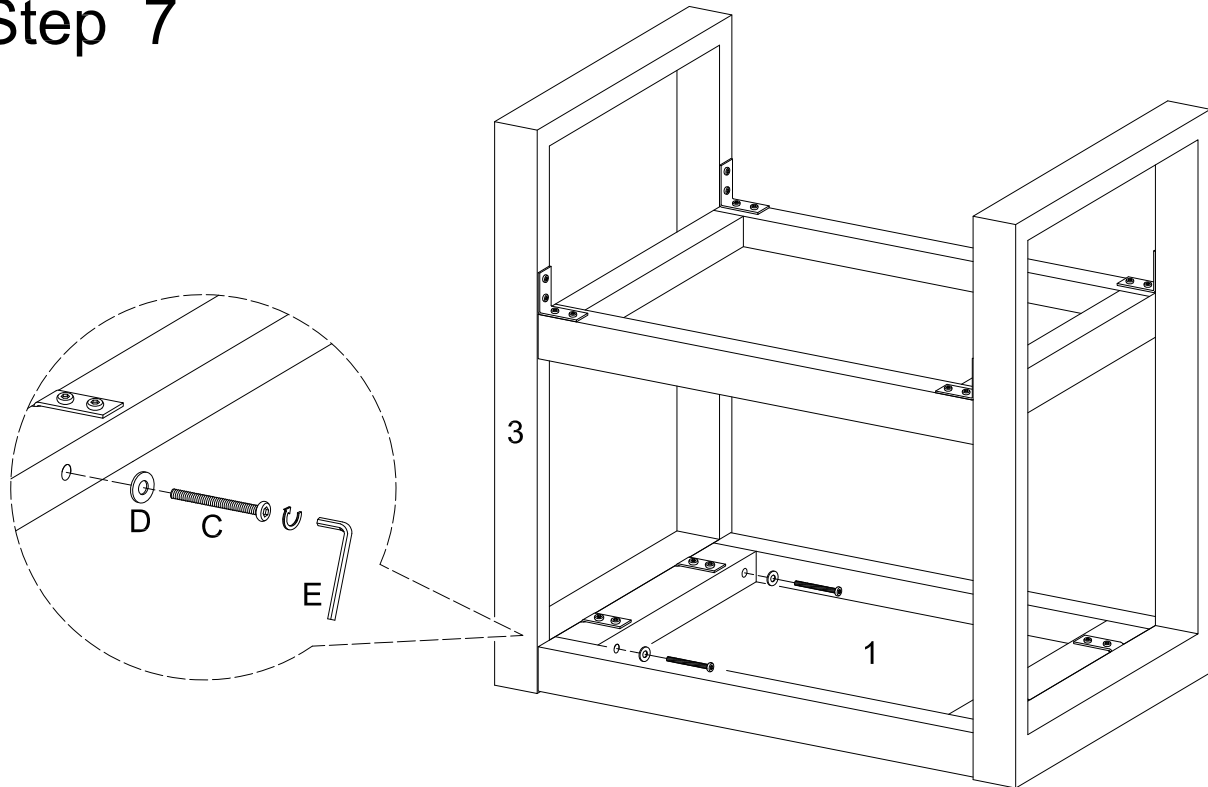
Attach top panel (1) to the left leg assembly using bolts (A).

Step 6



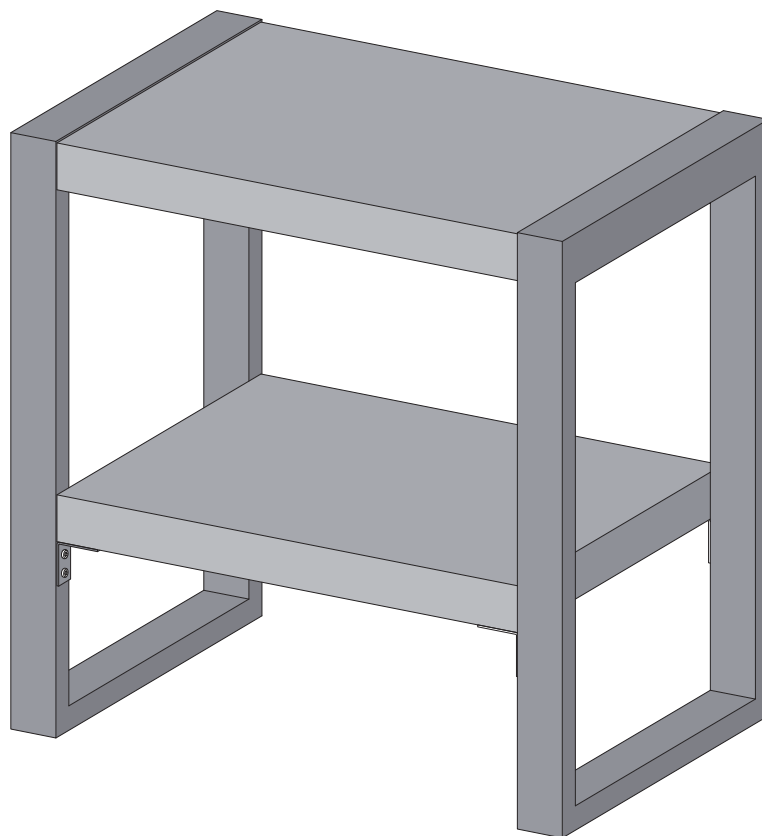
Secure top panel (1) to the right metal frame using bolts (C) and washers (D).

Step 7



Secure top panel (1) to the right metal frame using bolts (C) and washers (D).

Step 8



Final Assembly