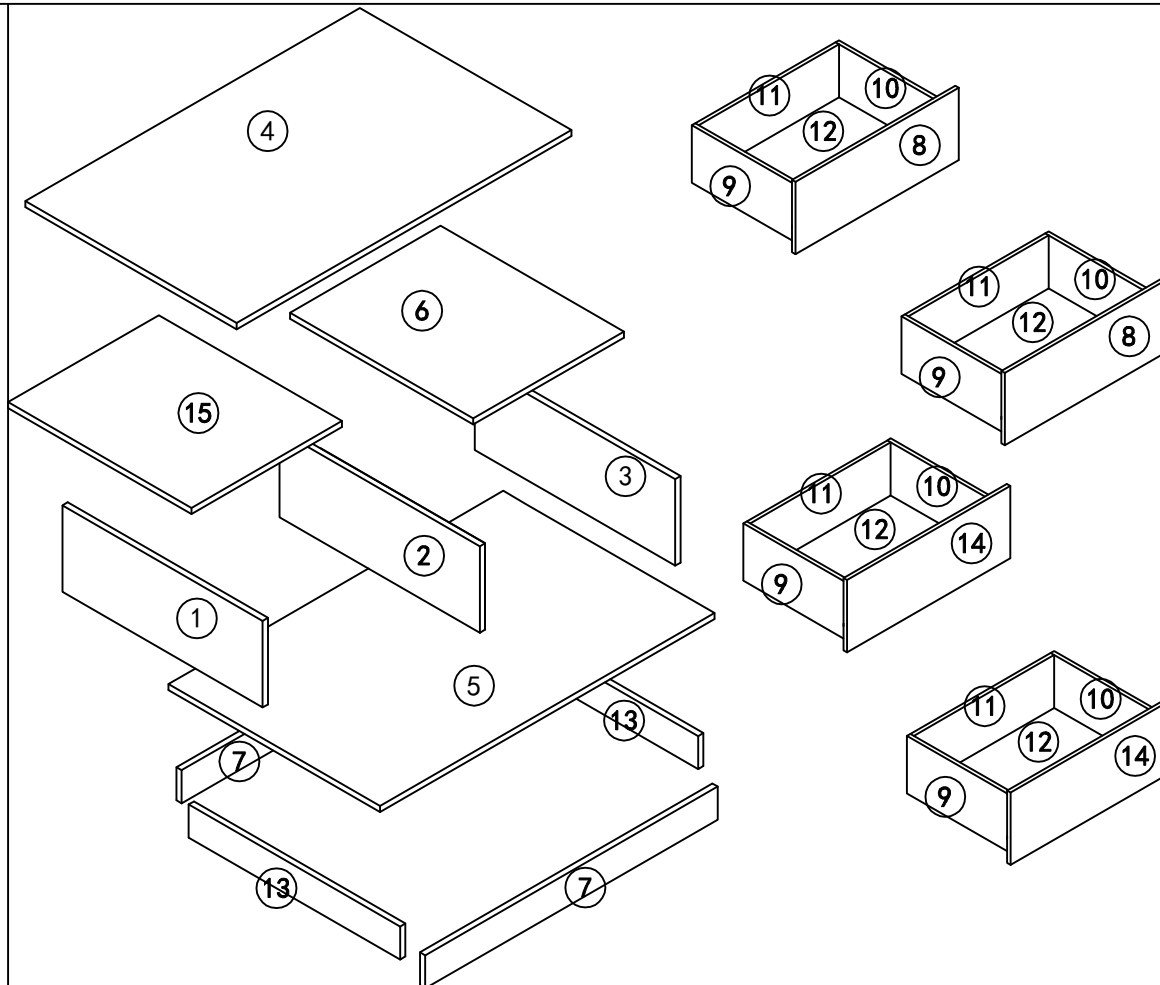
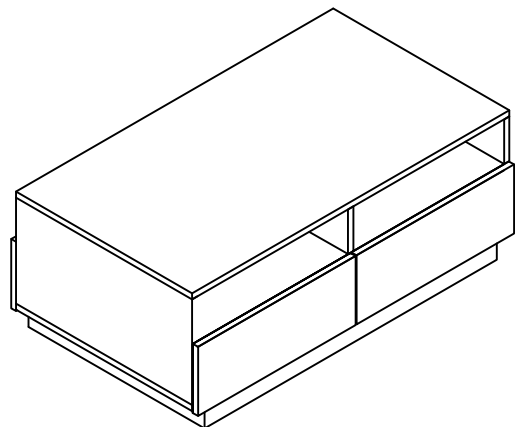
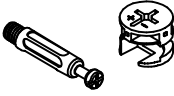
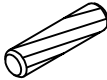


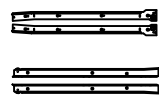
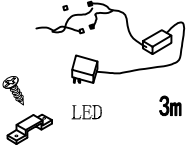
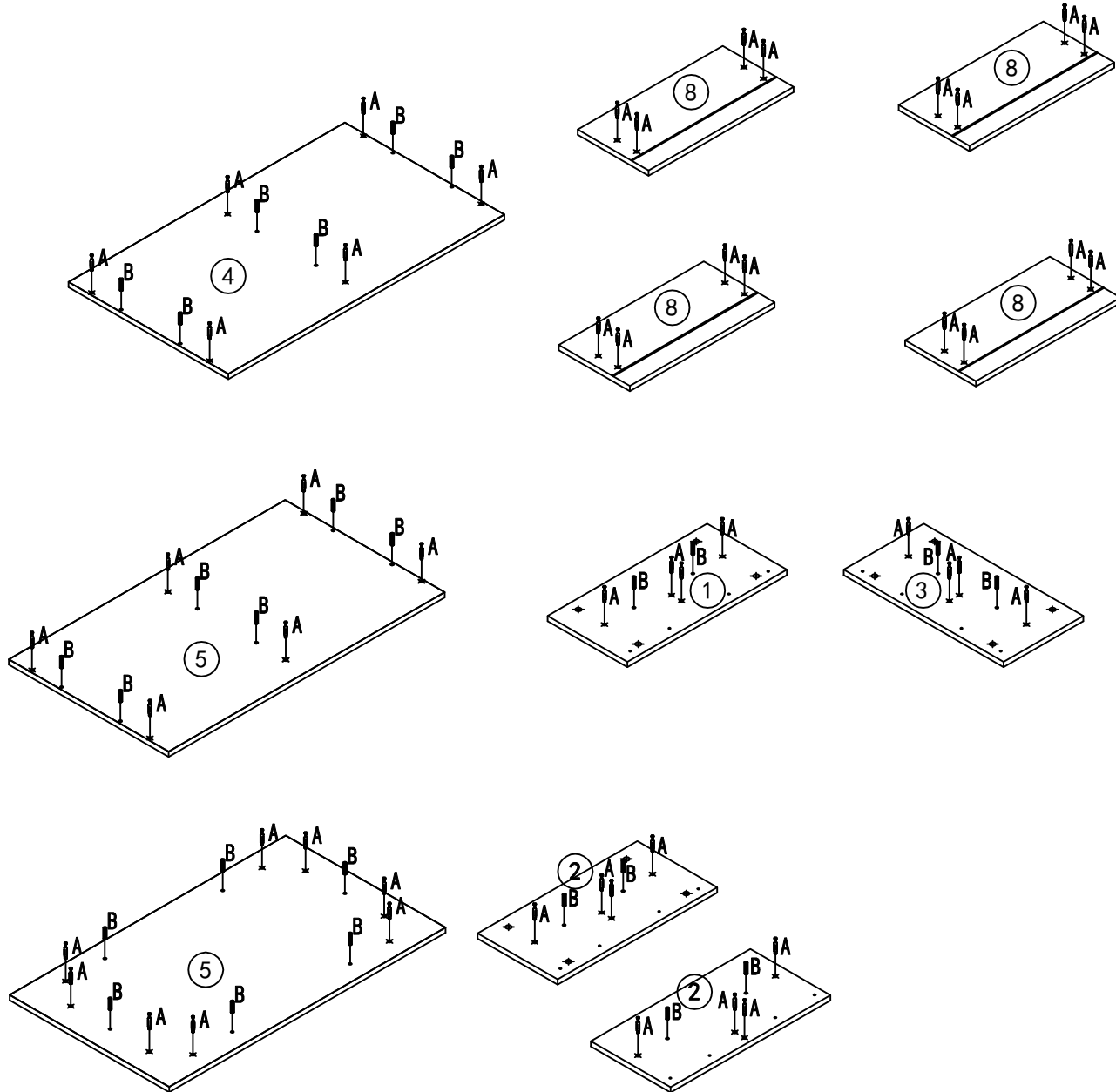


ASSEMBLY INSTRUCTION

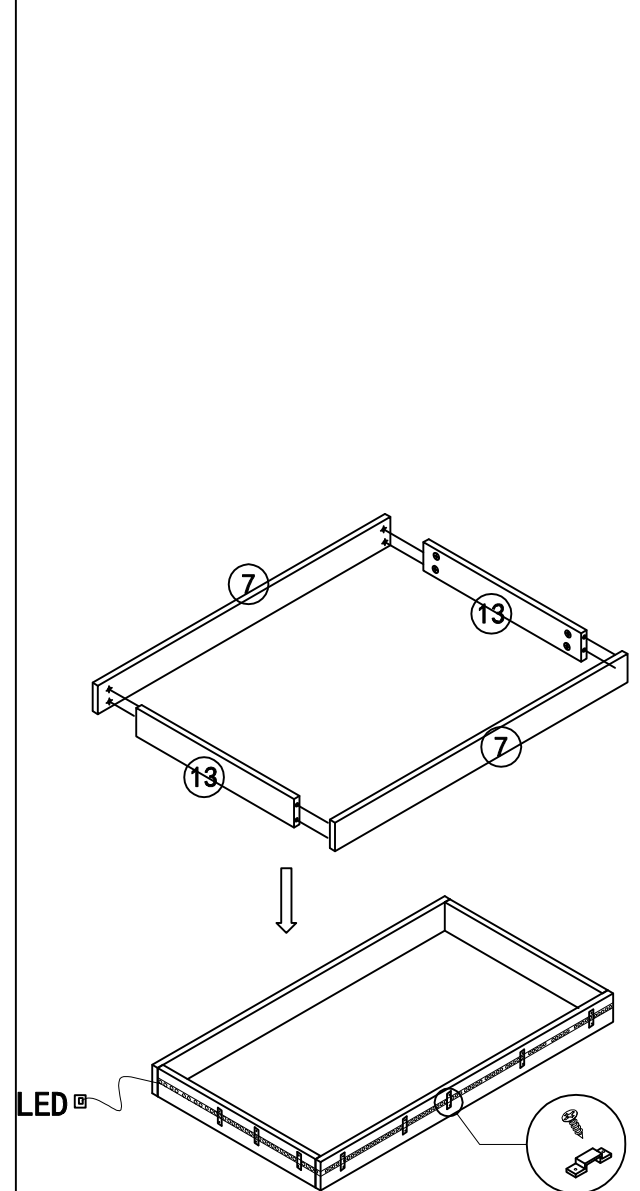


<p>A 52 PCS</p> 	<p>B 26 PCS</p>  <p>φ 8*30</p>	<p>F 32 PCS</p>  <p>φ 3.5*14</p>	<p>H 16 PCS</p>  <p>φ 3.5*30</p>	<p>I 4 PCS</p>  <p>250mm</p>	<p>J 1 PCS</p>  <p>LED 3m</p>
---	---	---	--	---	---

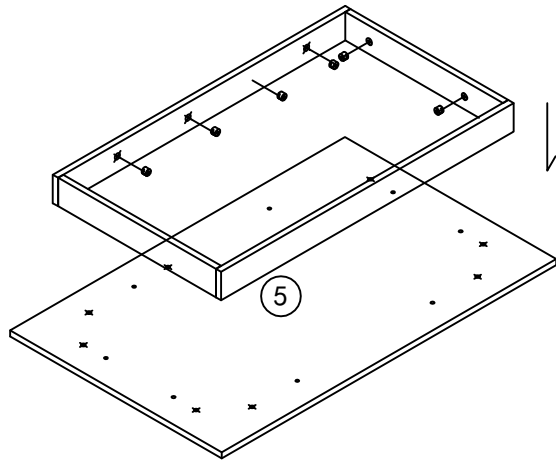
Step 1



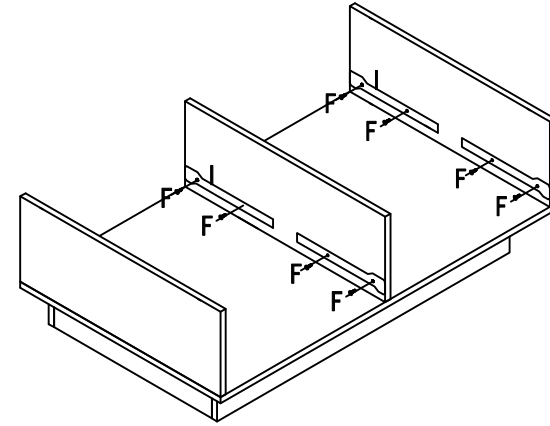
Step 2



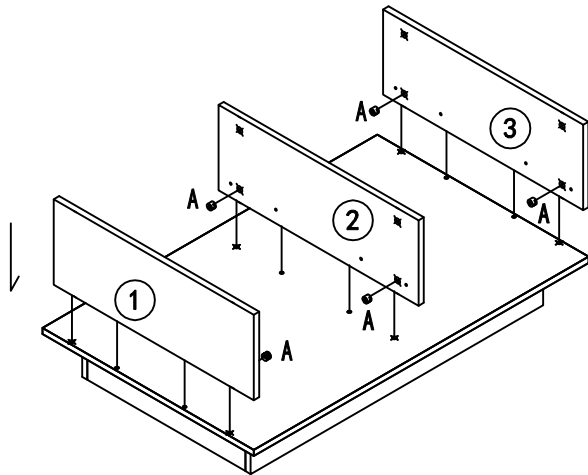
Step 3



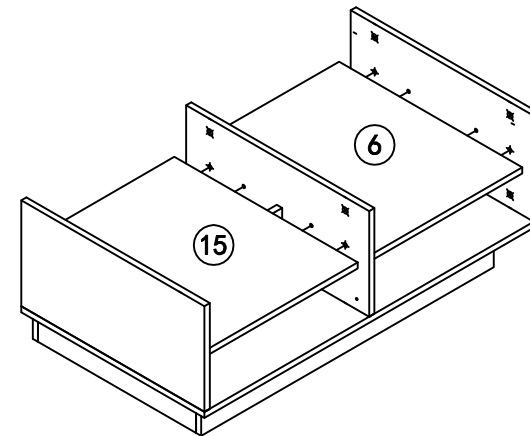
Step 5



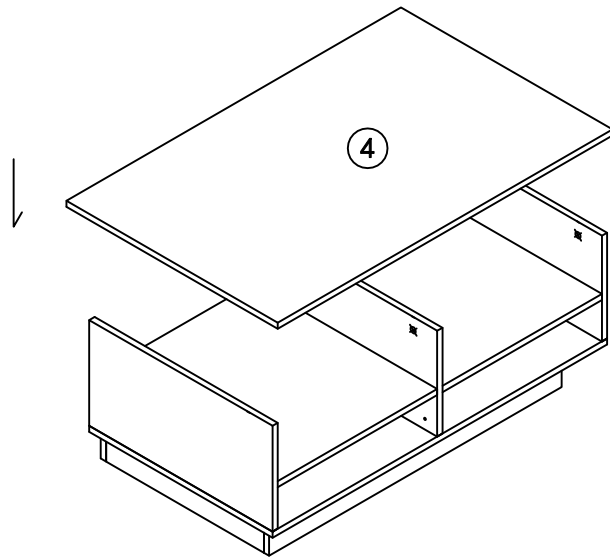
Step 4



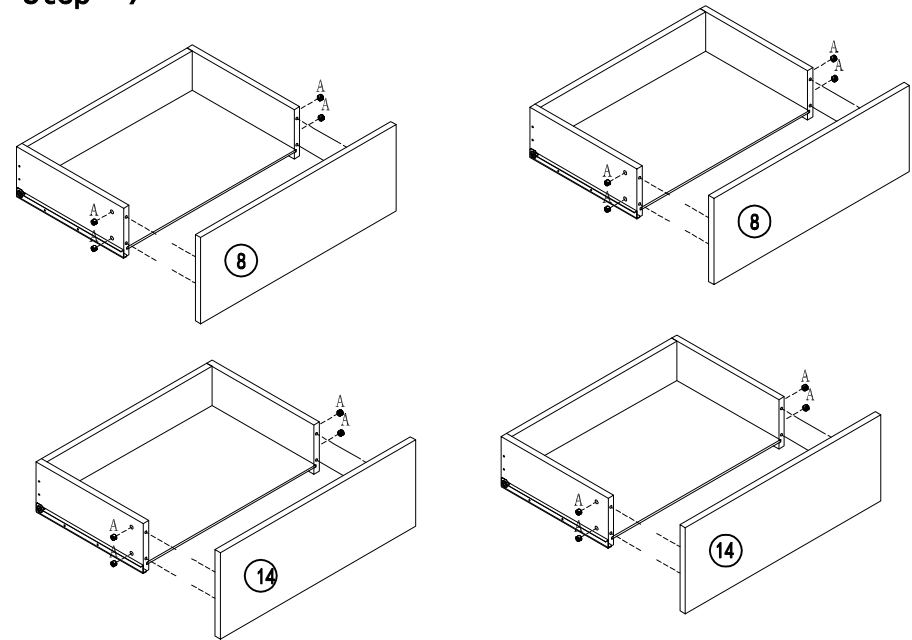
Step 6



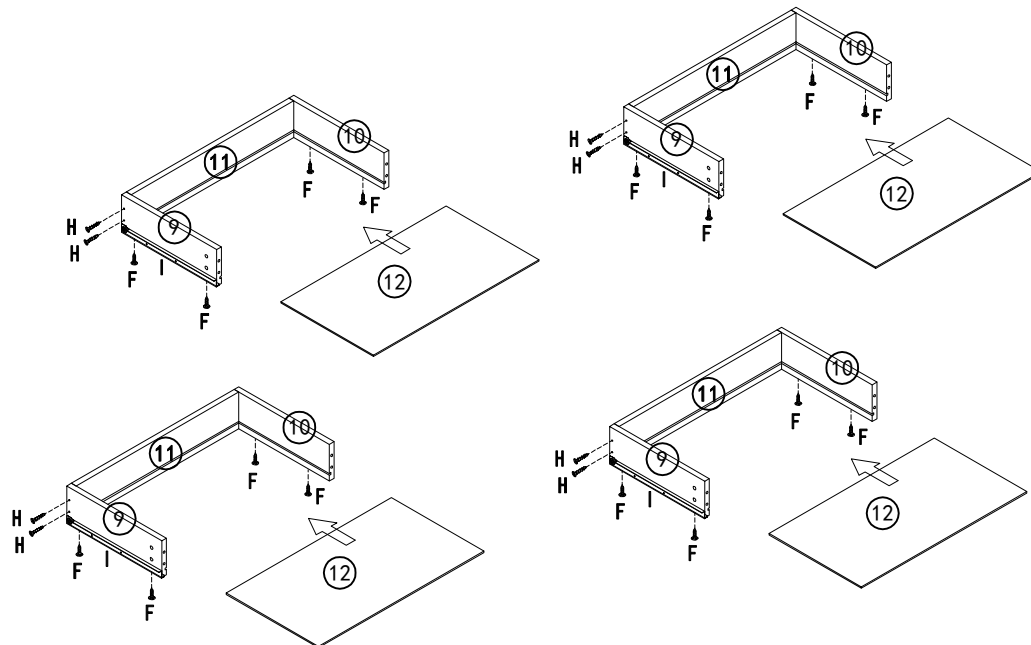
Step 7



Step 9



Step 8



Step 10

