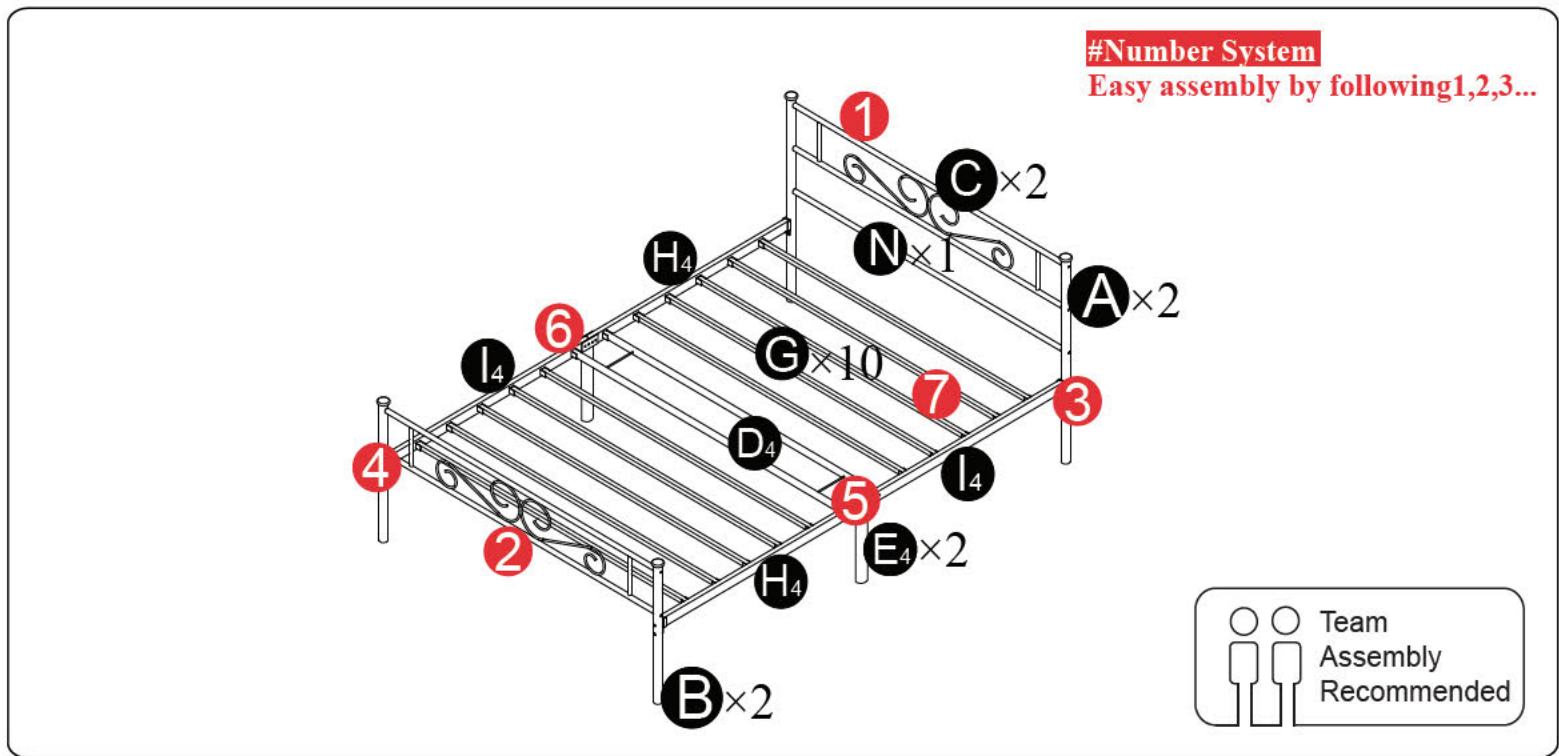


Bed Frame Installation Manual



Components

- A x2
- B x2
- C x2
- D₄ x1
- E₄ x2
- G x10
- H₄ x2
- I₄ x2
- N x1

Screws & Tools

①		M8x45mm	x8
②		M8x35mm	x8
③		M6x60mm	x10
④		M6x40mm	x4
⑤		M6x15mm	x4
⑥			x18
⑦		M8	x12
⑧		M5	x1
⑨		M13/M10	x1

Check all the components & screws before assembly. Do not install in case part is missing, contact us to get.

Return Policy

We believe you will absolutely love your metal platform bed. But if for some reason you want to return the item, please contact us directly before you decide to return your product. The item must be returned within 30 days of delivery for a full refund. The item must be returned in good condition, in original box, with all original proofs of purchase, parts and accessories.

Trouble shooting:

Missing parts

↓

Send email with your question

↓

Resend within 24 hours

↓

Issue resolved

Other issues

↓

Send email with your issue

↓

Respond within 24 hours

↓

Issue resolved

We control manufacturing and distribution ourselves, ensure the quality.

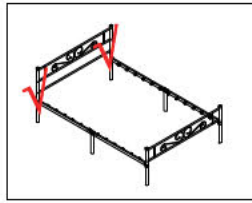
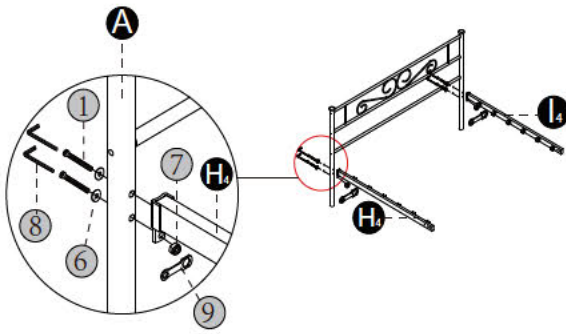
① Headboard assembly

Note:
In this step, please do not tighten the screws(③) up

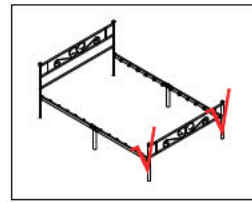
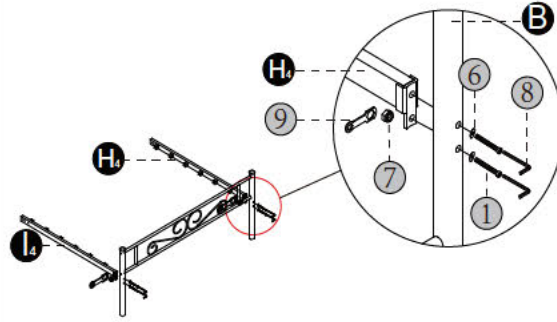
② Footboard assembly

Note:
In this step, please do not tighten the screws(③) up

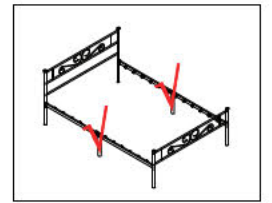
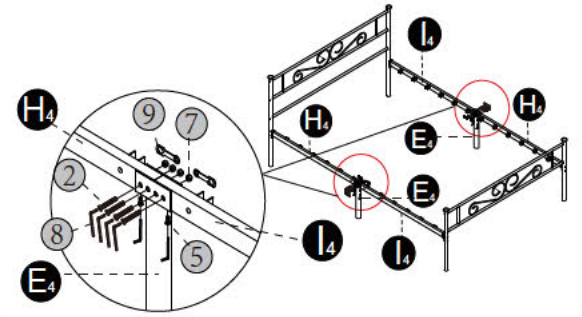
3 Connect **H₁** & **L₁** to headboard



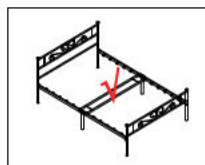
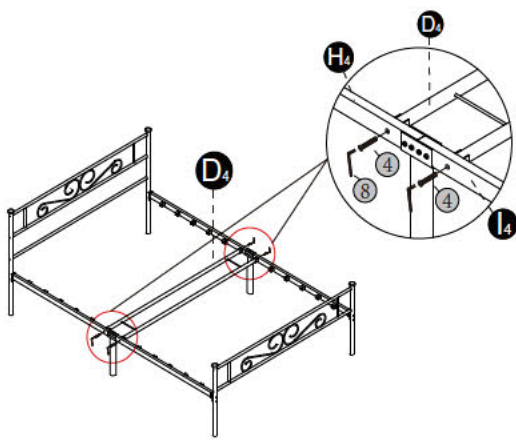
4 Connect **H₂** & **L₂** to footboard



5 Connect **E₁** to **H₁** & **L₁**

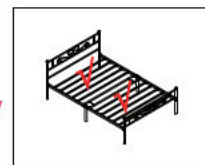
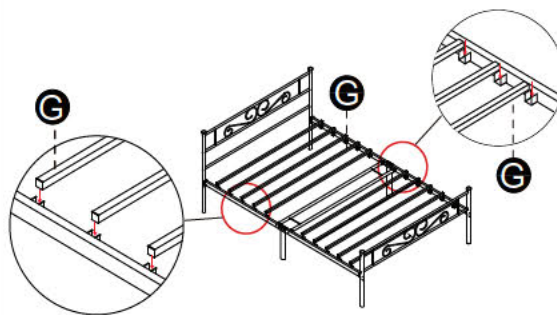


6 Connect **D₁** to **H₁** & **L₁**



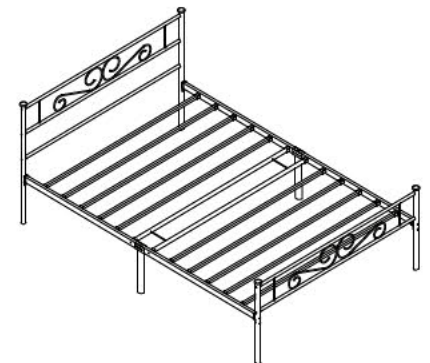
Note:
In this step, please do not tighten the screws(4) up

7 Assemble bed slats



Note:
If the bed slats can not be inserted easily
loosen the screws (step 1 2 6)

8 Check and tighten all screws



We'd Love to Hear from You!

We cherish the voice of every customer.

CAUTIONS!

