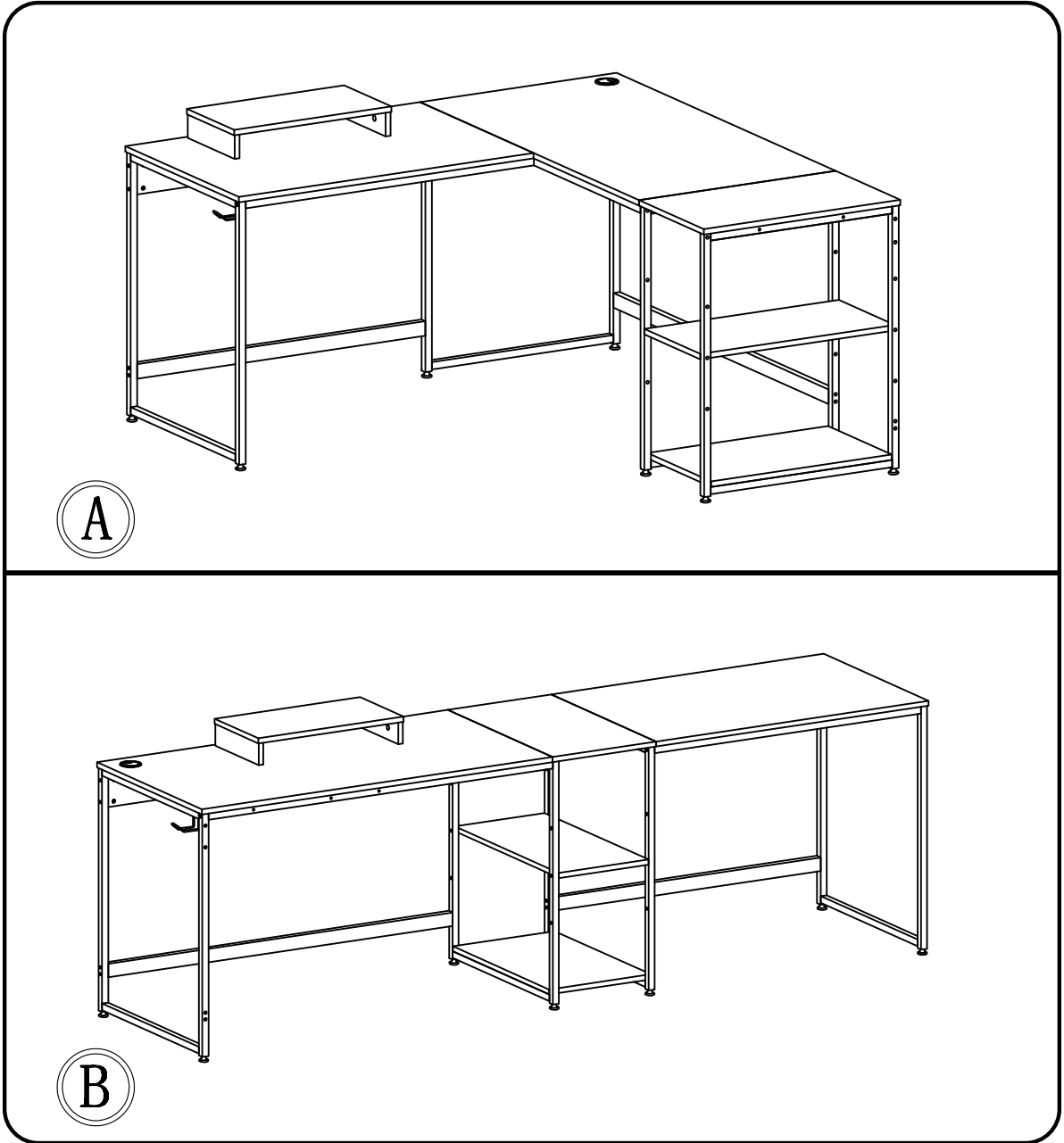


L shaped desk with shelves & monitor stand

ASSEMBLY INSTRUCTION



HELPFUL HINTS

ASSEMBLY TIP

BEFORE YOU START

- Read through each step carefully and follow the proper order by reading this installation instructions.
- Separate and count all your parts on a clean surface to check if the tags and numbers are correct.
- Give yourself enough room for the assembly process.

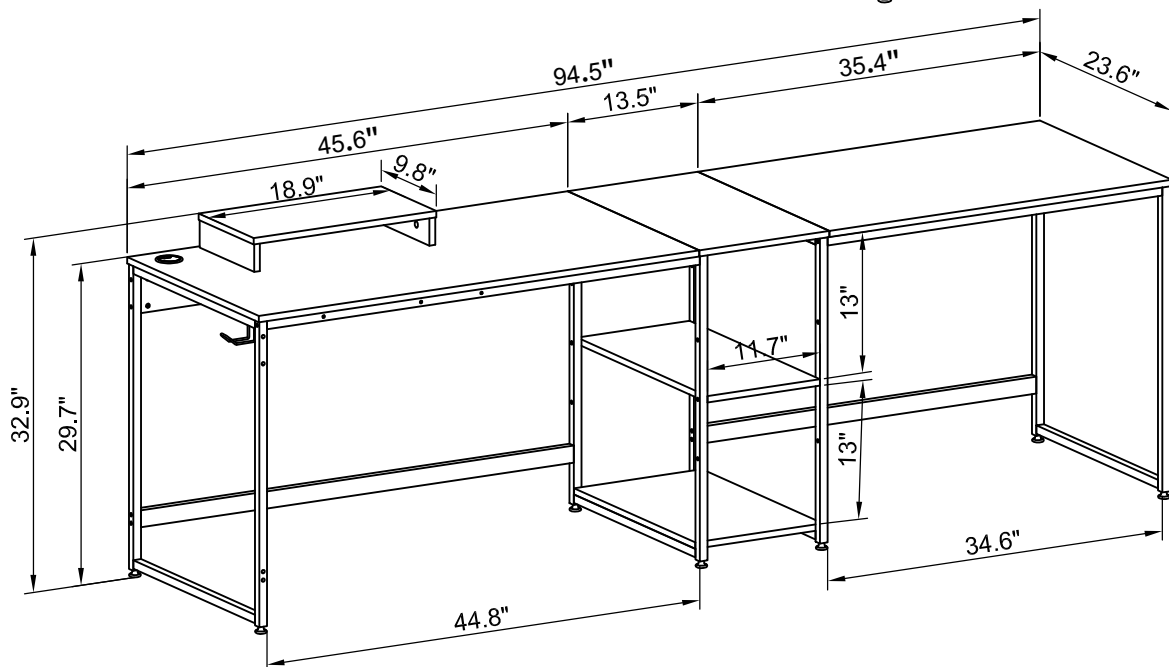
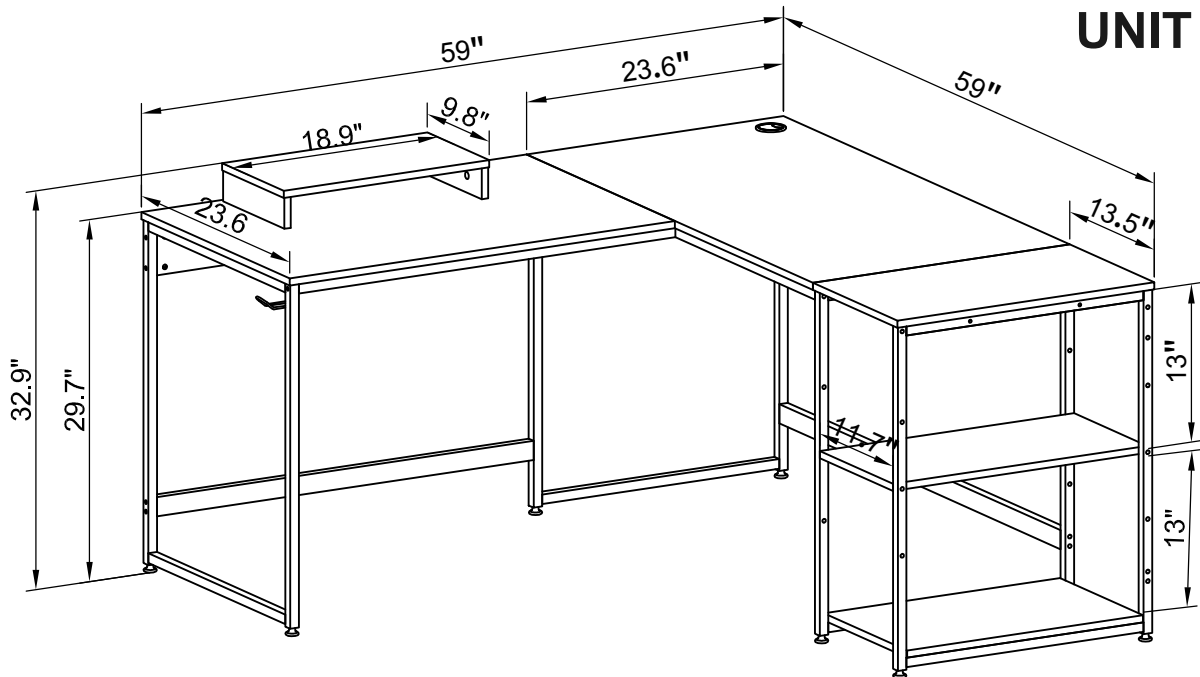
CAUTION

- If using a power drill or power screwdriver for screwing please be aware to slow down and stop when screw is tight Failure to do so may result in stripping the screw.

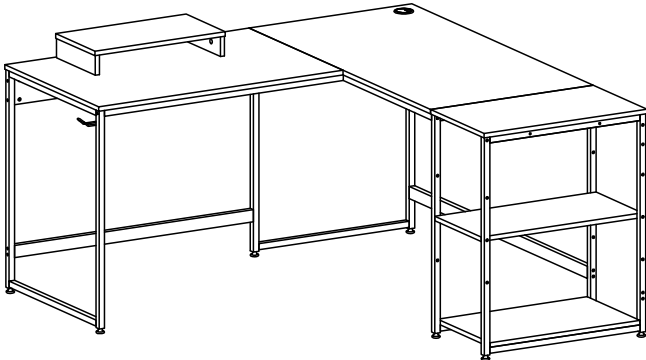
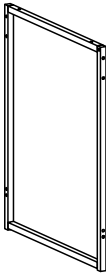
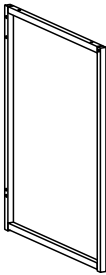
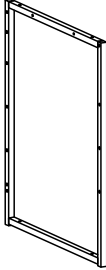




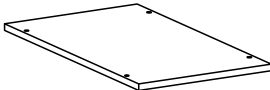
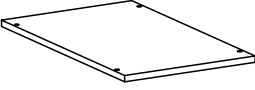
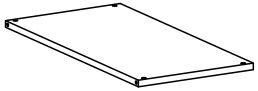


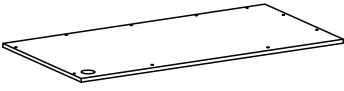
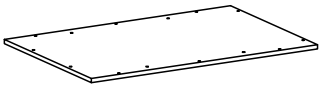


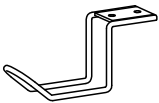



PEOPLE NEEDED FOR ASSEMBLY: 1-2
ESTIMATED ASSEMBLY TIME: 1 HOUR

- Open your item in the area you plan to keep it to avoid excessive heavy lifting.
- Identify, sort and count the parts before attempting assembly.
- Check the product packaging, whether the appearance is good.
- According to the product drawing, determine the product installation position and install according to the correct steps.
- Do NOT use harsh chemicals or abrasive cleaners on this item.
- Carefully push, pull, or drag your furniture.

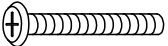
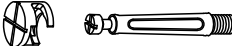
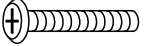
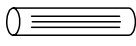




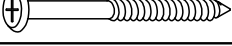
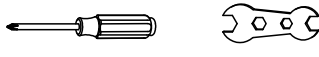
INSTALLATION POINTS

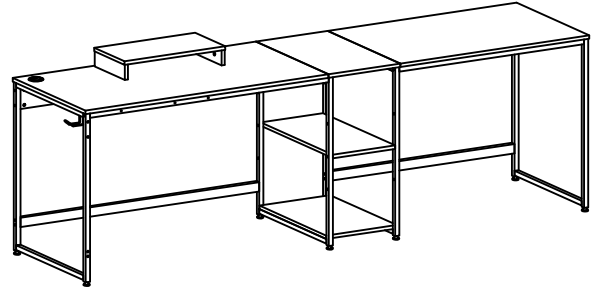
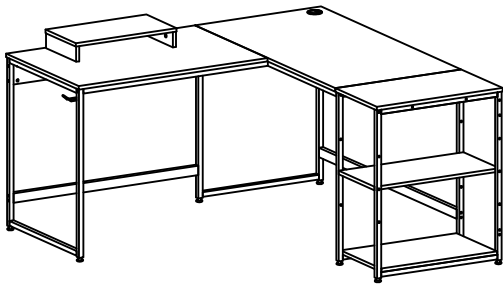


PARTS LIST

	<p>1</p>  <p>×1</p>	<p>2</p>  <p>×1</p>	
	<p>3</p>  <p>×2</p>	<p>4</p>  <p>×1</p>	
<p>5</p>  <p>×1</p>	<p>6</p>  <p>×1</p>	<p>7</p>  <p>×1</p>	<p>8</p>  <p>×1</p>
<p>9</p>  <p>×1</p>	<p>10</p>  <p>×1</p>	<p>11</p>  <p>×1</p>	<p>12</p>  <p>×2</p>
<p>13</p>  <p>×1</p>	<p>14</p>  <p>×1</p>	<p>15</p>  <p>×1</p>	<p>16</p>  <p>×1</p>
<p>17</p>  <p>×1</p>	<p>18</p>  <p>×8</p>	<p>19</p>  <p>×8</p>	<p>20</p>  <p>×1</p>

ACCESSORIES LIST

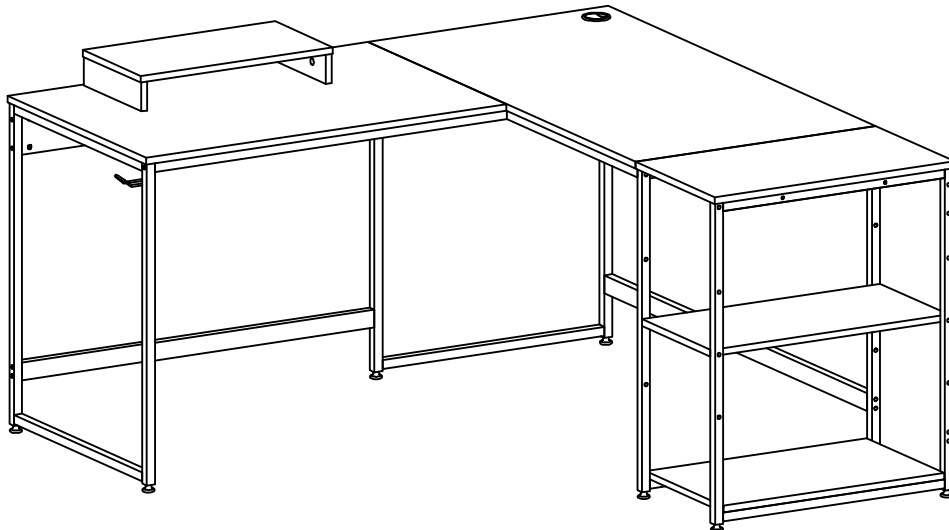
No.	PICTURE	SIZE	QTY	No.	PICTURE	SIZE	QTY
A		M6x35	12	G		M6x35	4
B		M6x30	23	H		∅8x30	4
C		M6x12	14	I		∅15	4
D		M6	4	J		∅22	4
E		ST5x50	12				



A

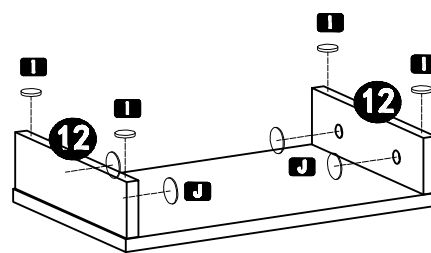
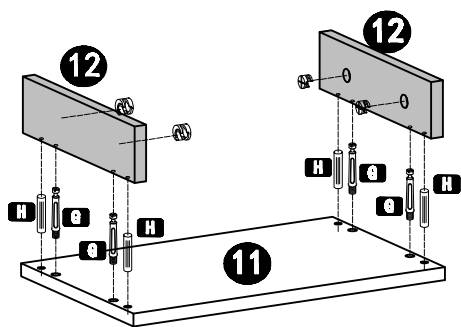
B

※The desk can be assembled as L shaped desk or long desk according to your preference.



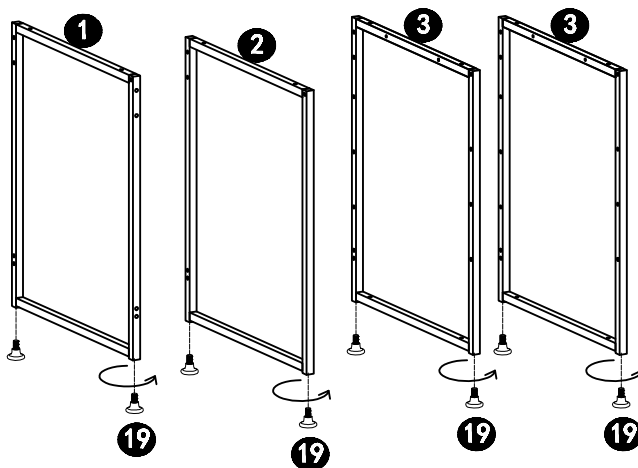
A

STEP 1



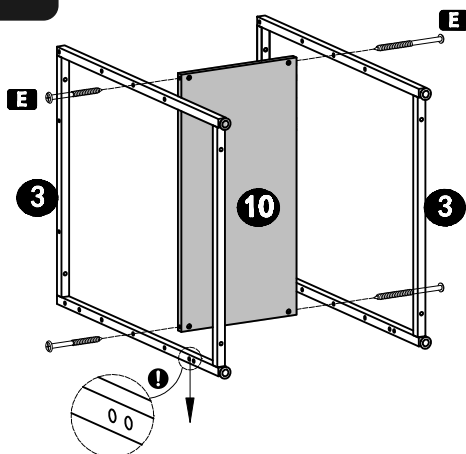
G		M6x35	4	I		∅15	4
H		∅8x30	4	J		∅22	4

STEP 2



STEP 3

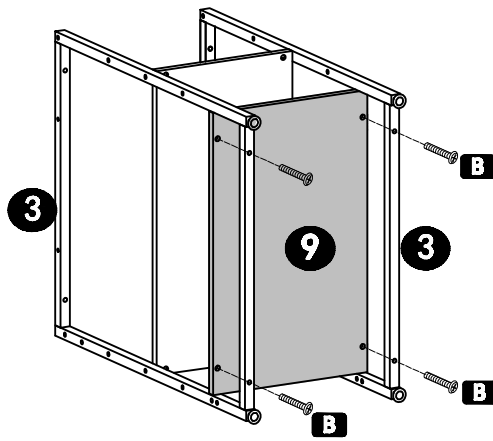
※ You can install the shelf board in different height to meet your need. Do not tighten the screws in this step.



E		ST5x50	4
----------	--	--------	---

! Attention: The side with 2 thread holes close face outward.

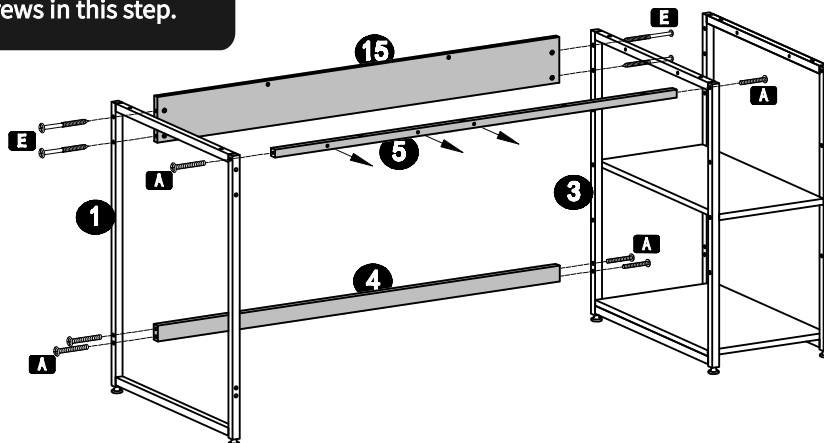
STEP 4

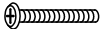
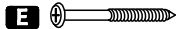


B  M6x30 4

STEP 5

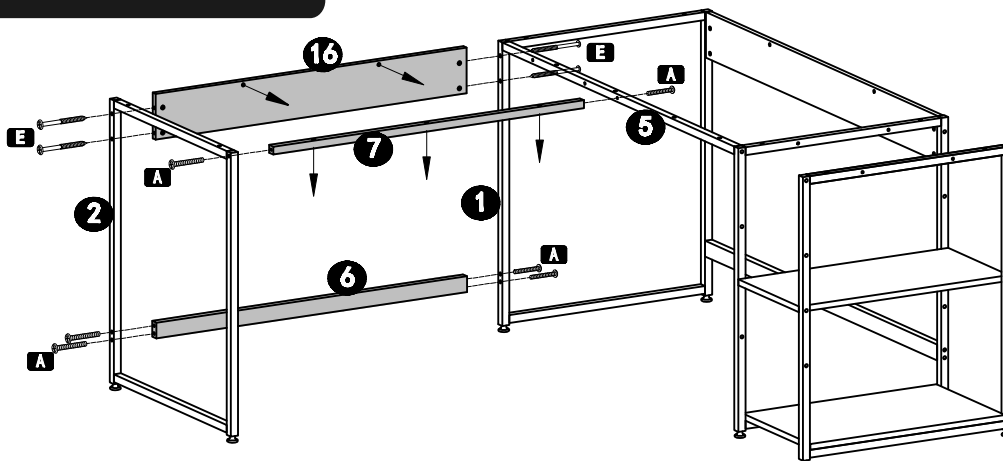
※ Please make sure correct screws are used in different parts.
Do not tighten the screws in this step.



A  M6x35 6 **E**  ST5x50 4

STEP 6

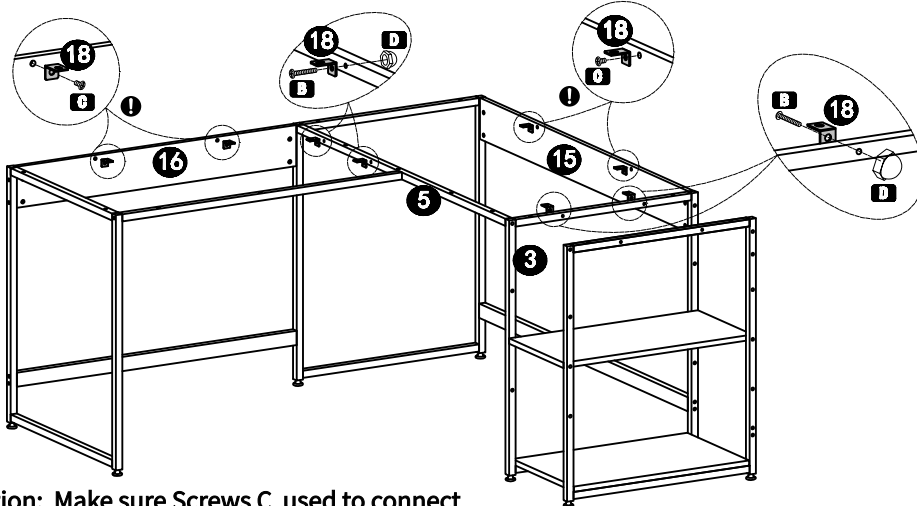
※ Please make sure correct screws are used in different parts.
Do not tighten the screws in this step.



A

A  M6x35 6 **E**  ST5x50 4

STEP 7



A

! Attention: Make sure Screws C used to connect the wood board and the corner bracket to avoid damage to the board.



M6x30 4



M6x12 4

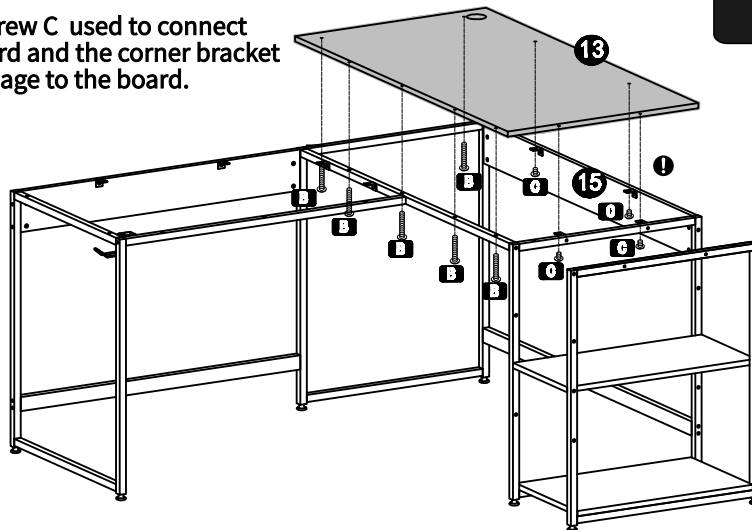


M6 4

STEP 8

! Attention: Make sure Screw C used to connect desk top board and the corner bracket to avoid damage to the board.

※ Do not tighten the screws before step 9 finished



A



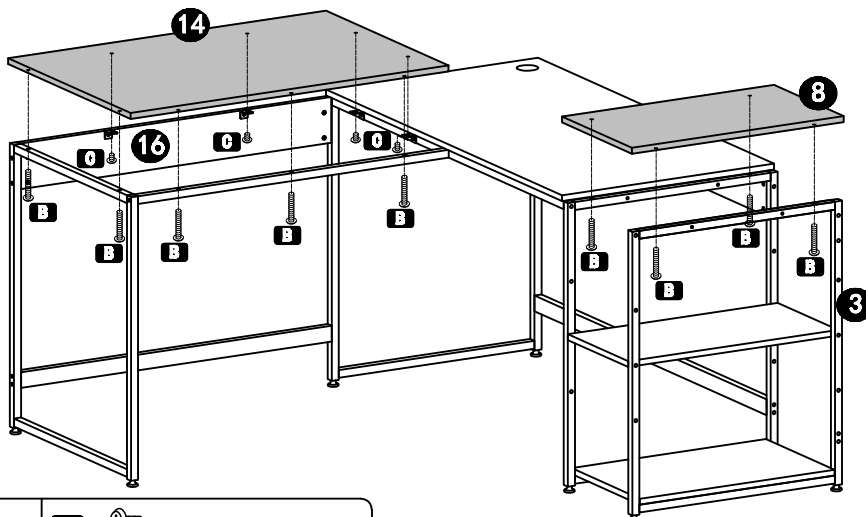
M6x30 6



M6x12 4

STEP 9

※ Tighten all screws for the whole desk in this step when there is not gap.



A

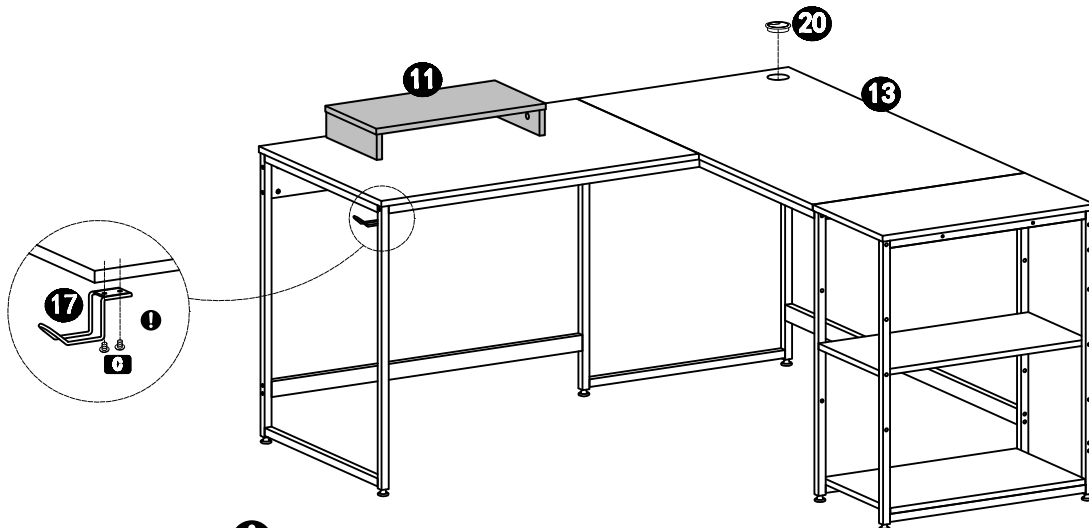


M6x30 9



M6x12 4

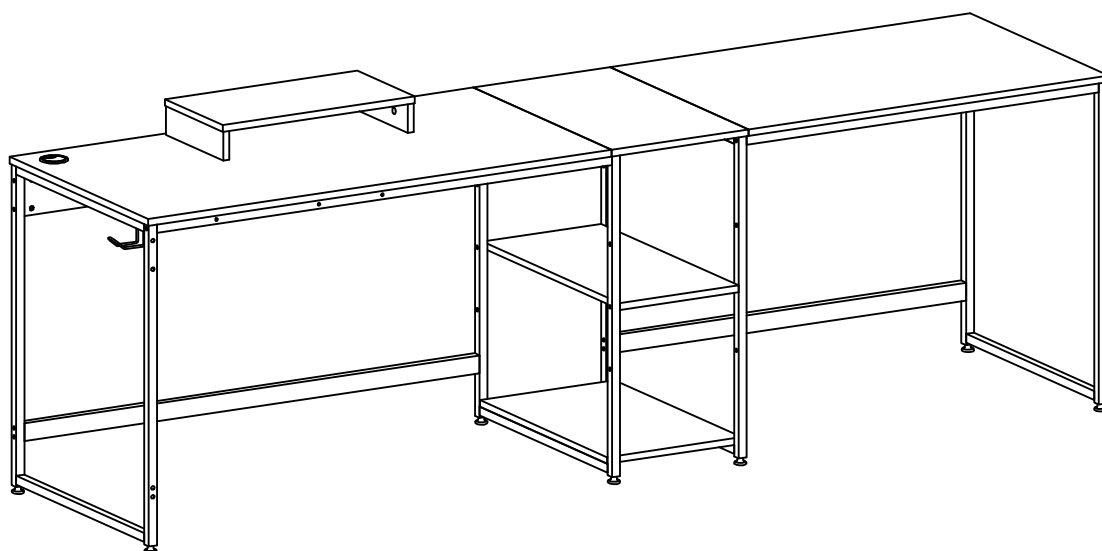
STEP 10



A

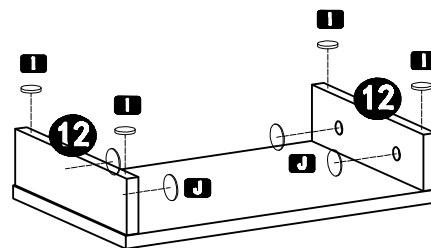
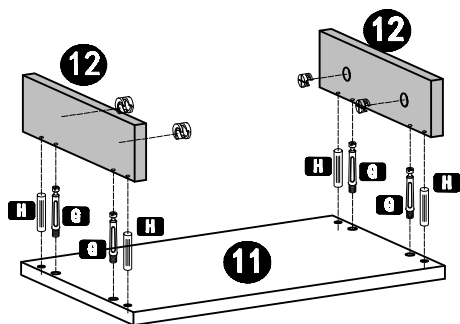
⚠ Attention: Please make sure screws C used in this step to avoid damage to wood board.

C  M6x12 2



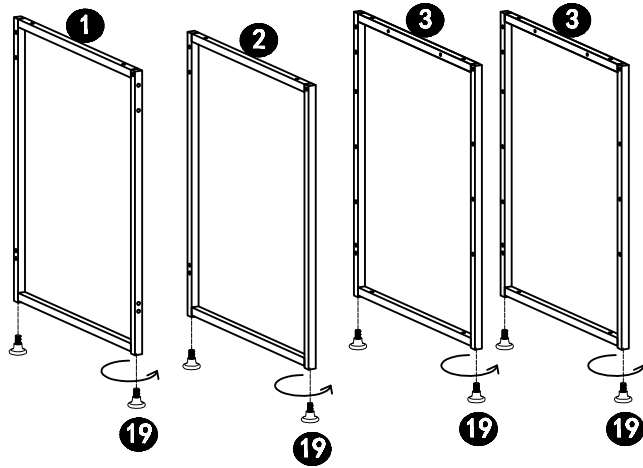
B

STEP 1



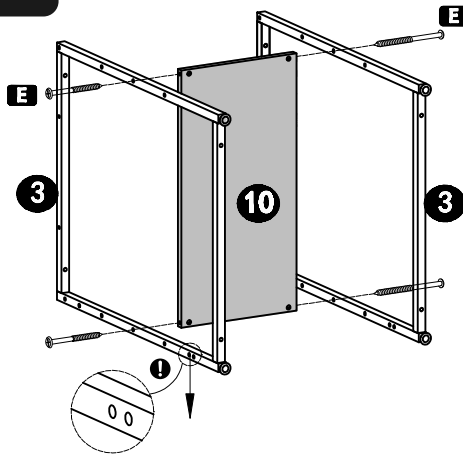
G 	M6x35	4	I 	∅15	4
H 	∅8x30	4	J 	∅22	4

STEP 2



STEP 3

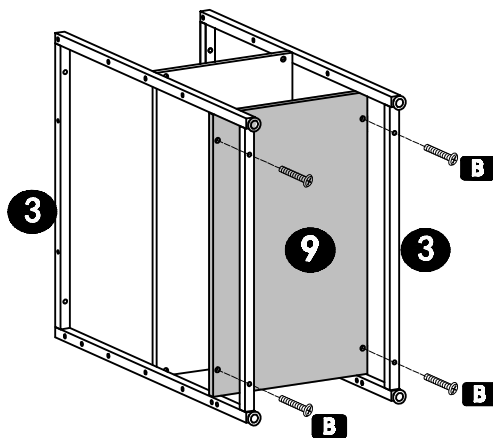
※ You can install the shelf board in different height to meet your need. Do not tighten the screws in this step.



E  ST5x50 4

! Attention: The side with 2 thread holes close face outward.

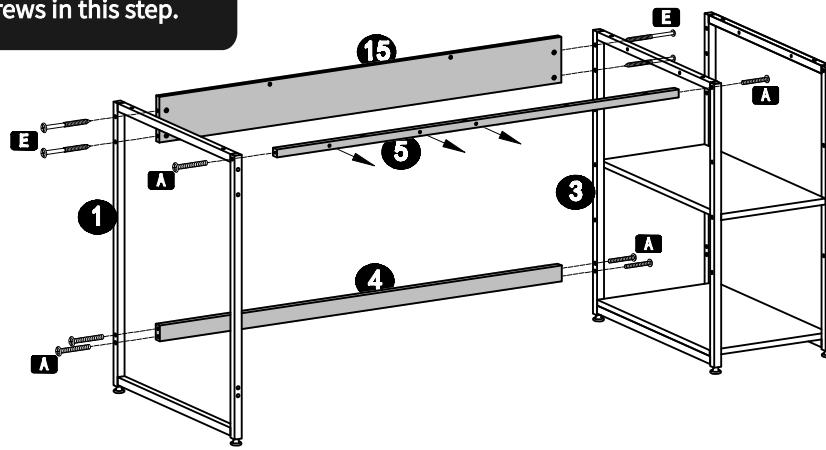
STEP 4



B  M6x30 4

STEP 5

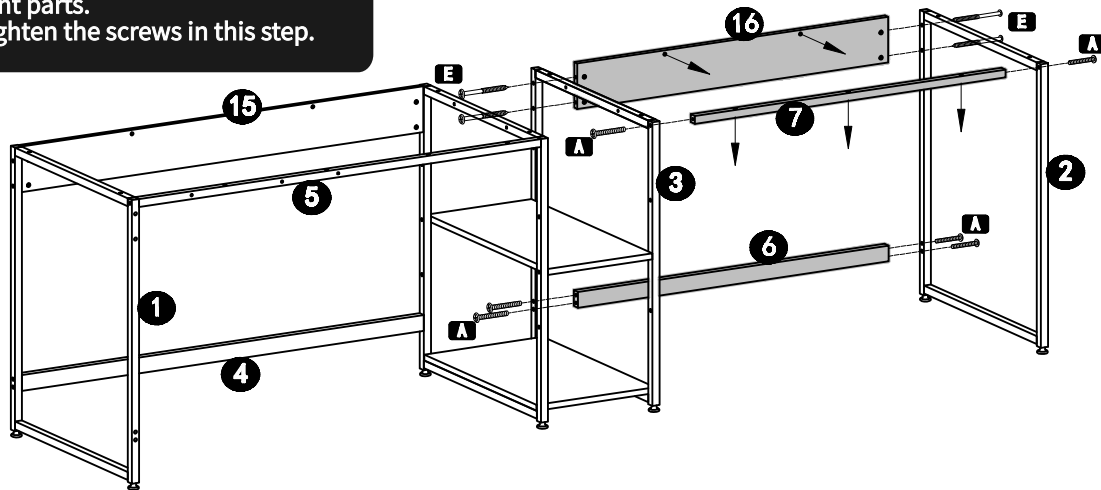
※ Please make sure correct screws are used in different parts.
Do not tighten the screws in this step.



A M6x35 6 **E** ST5x50 4

STEP 6

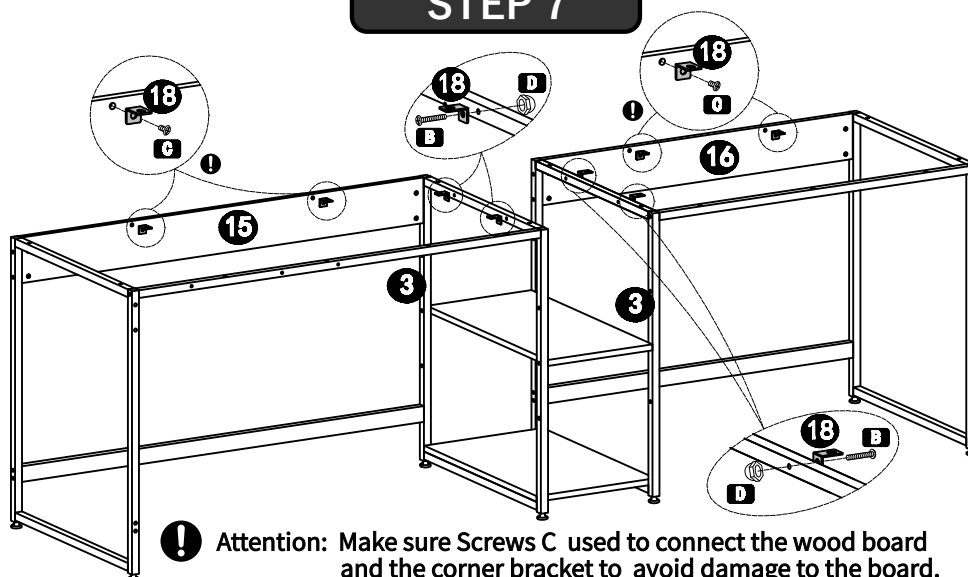
※ Please make sure correct screws are used in different parts.
Do not tighten the screws in this step.



A M6x35 6 **E** ST5x50 4

(B)

STEP 7



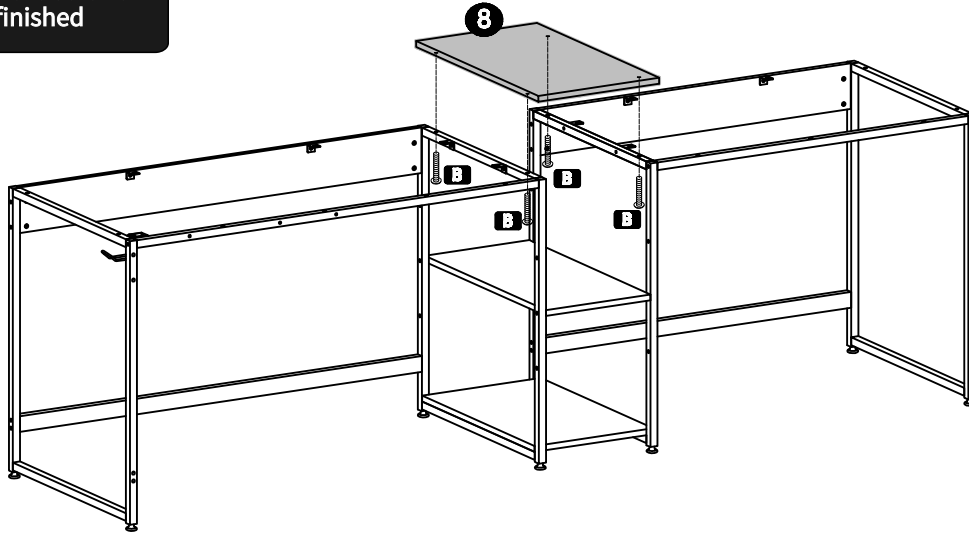
! Attention: Make sure Screws C used to connect the wood board and the corner bracket to avoid damage to the board.

B M6x30 4 **C** M6x12 4 **D** M6 4

(B)

STEP 8

※ Do not tighten the screws before step 9 finished

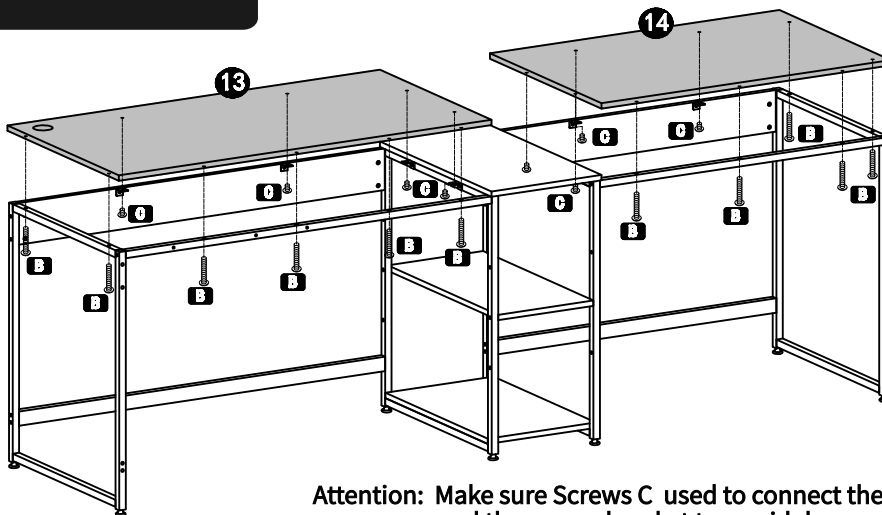


(B)

(B)  M6x30 4

STEP 9

※ Tighten all screws in this step when there is not gap.

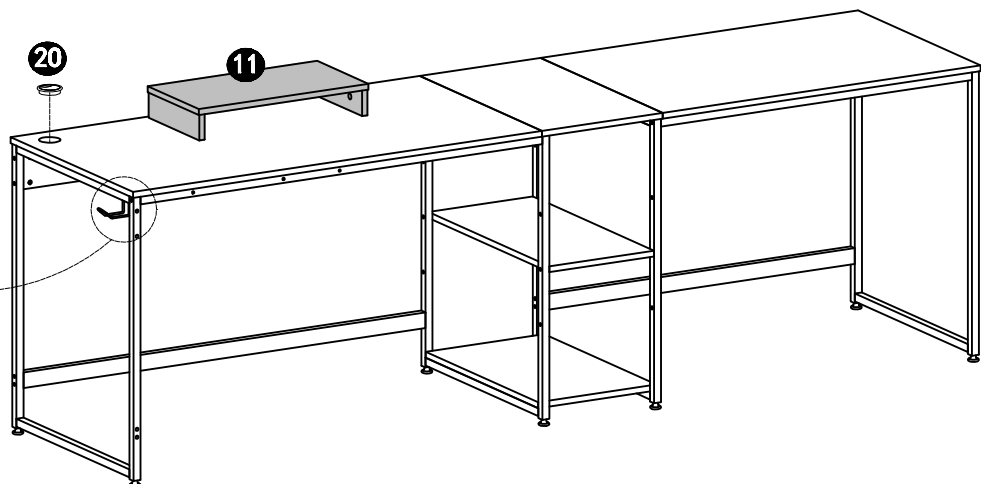
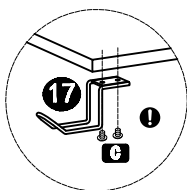


Attention: Make sure Screws C used to connect the wood board and the corner bracket to avoid damage to the board.

(B)

(B)  M6x30 11 (C)  M6x12 8

STEP 10



(B)

(C)  M6x12 2

! Attention: Please make sure screws C used in this step to avoid damage to wood board.