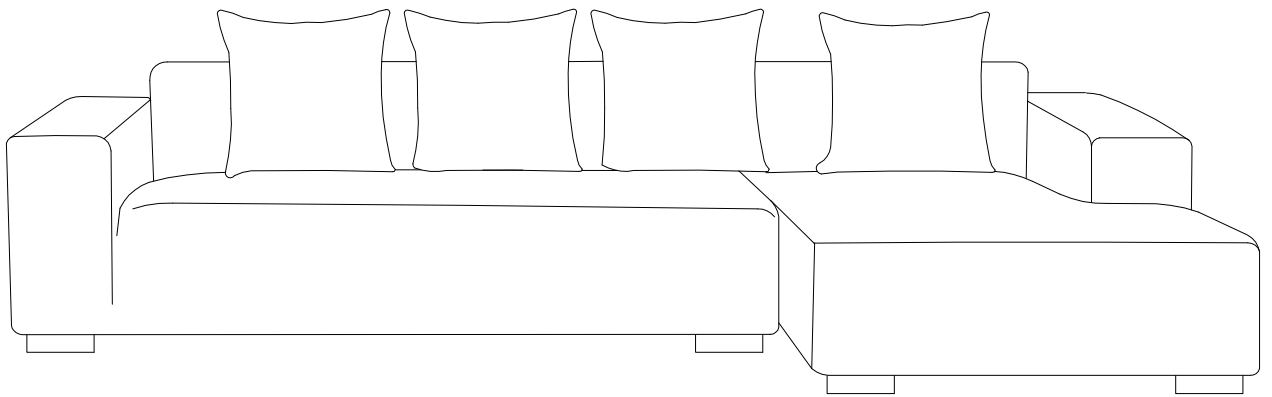


B

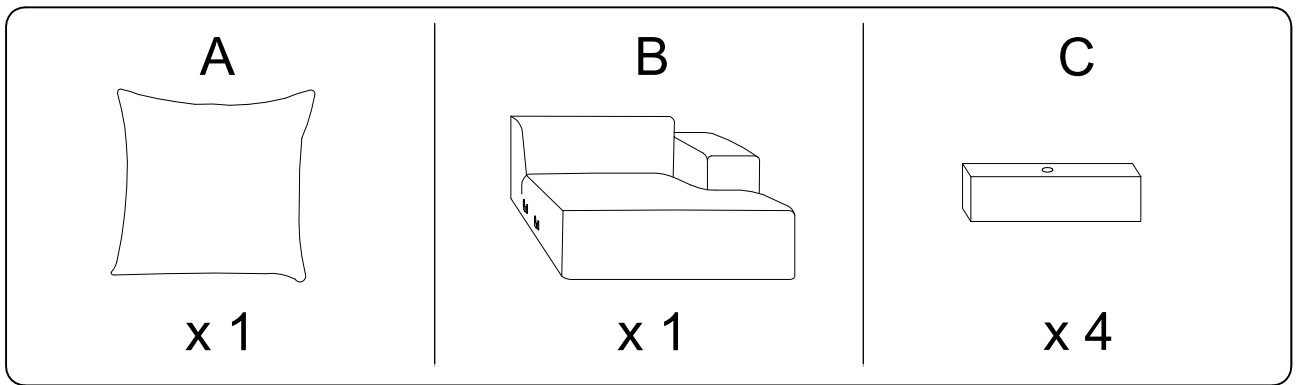
A



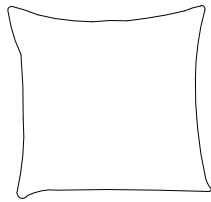
Assembly instructions for step 1/7:

- Warning 1:** Do not use a power drill. Use an Allen key (shown in a circle) to tighten the corner connector.
- Warning 2:** Do not use a power drill. Use a screwdriver (shown in a circle) to tighten the corner connector.
- Time:** 15 minutes (indicated by a clock icon).
- Personnel:** 2 people (indicated by a person icon).

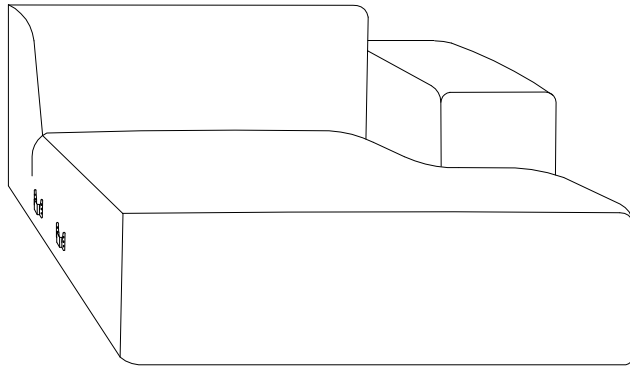
A



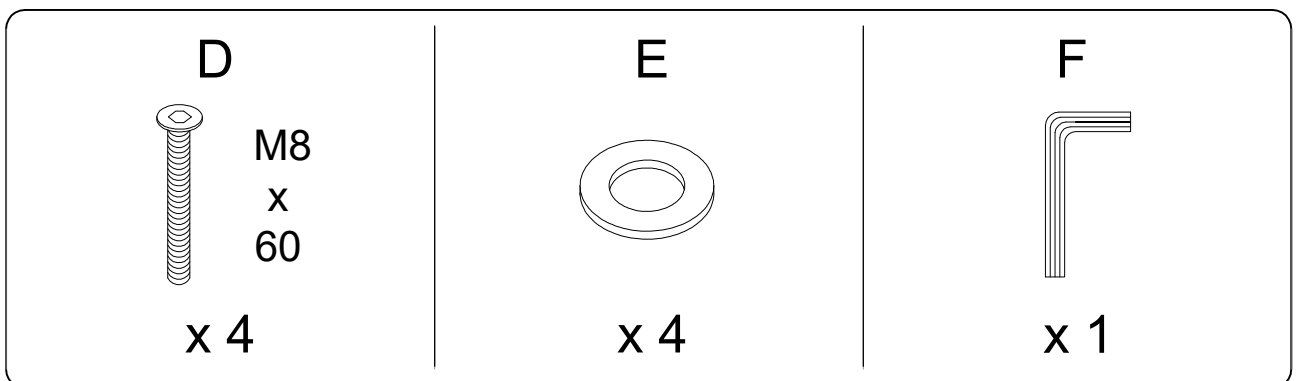
A



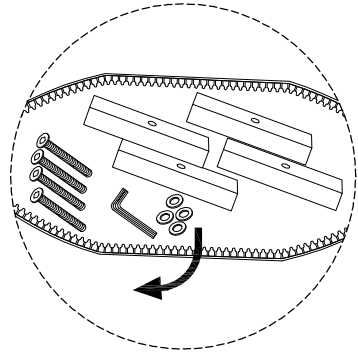
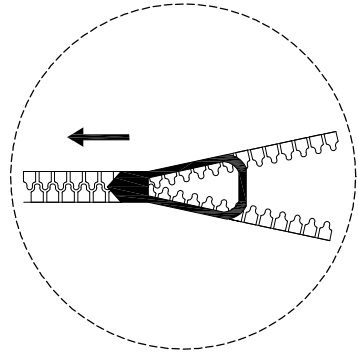
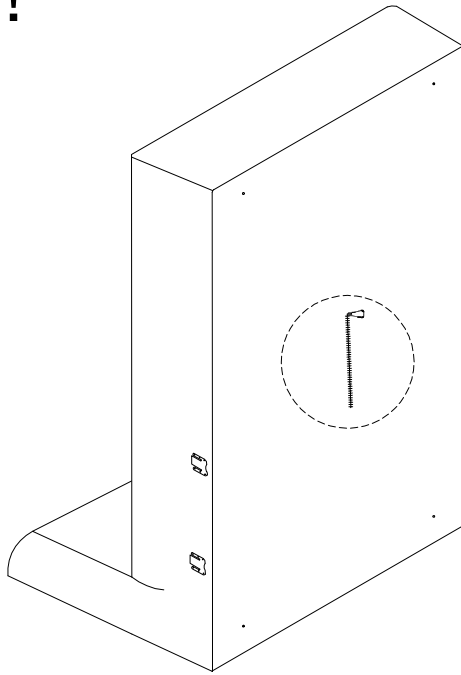
B



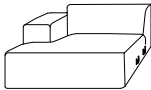
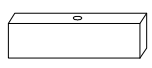

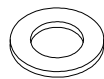

C x 4

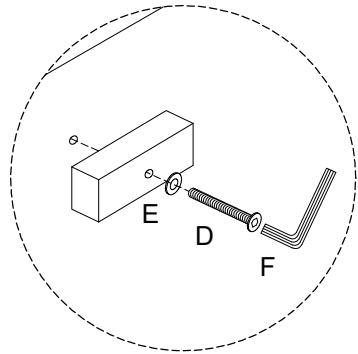
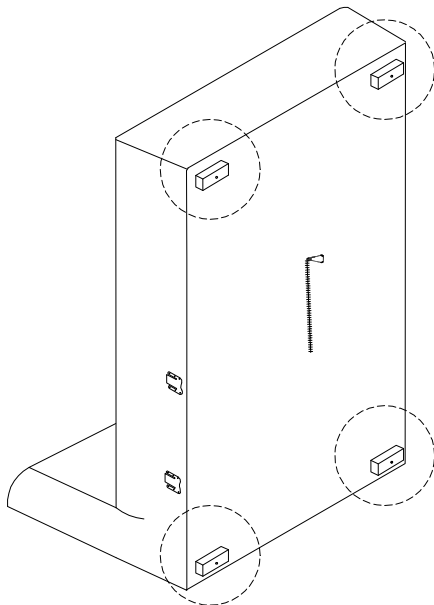


!

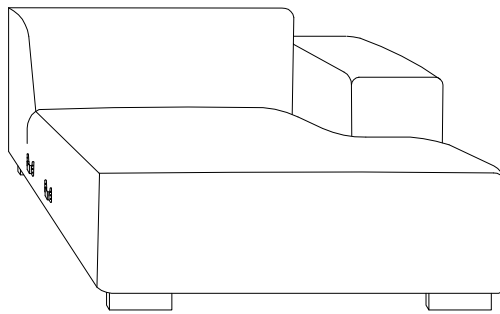
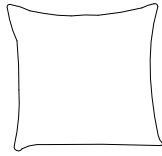
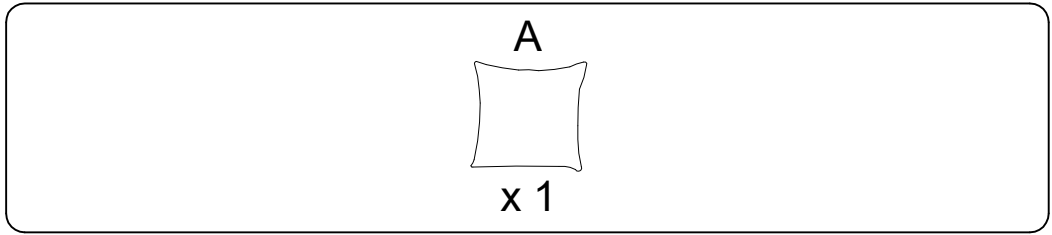


1

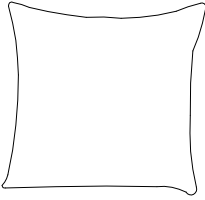
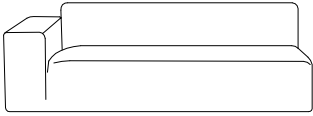
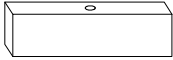
B  x 1	C  x 1	D  M8 x 60 x 4	E  x 4	F  x 1
--	--	---	--	--



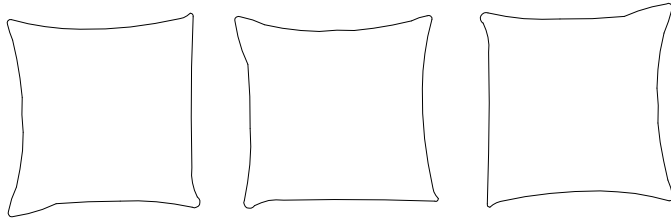
2



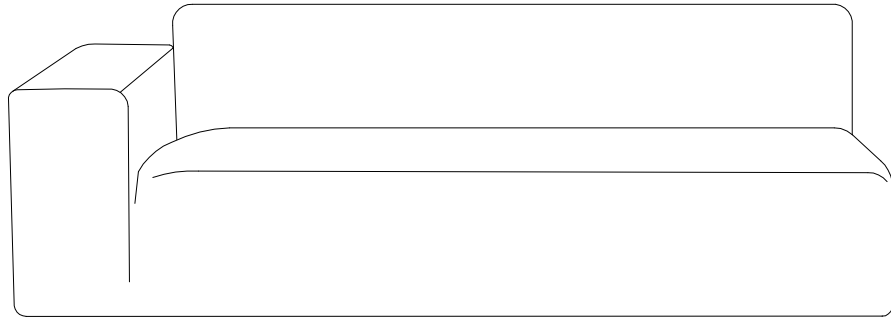
B

<p>A</p>  <p>x 3</p>	<p>B</p>  <p>x 1</p>	<p>C</p>  <p>x 5</p>
---	---	---

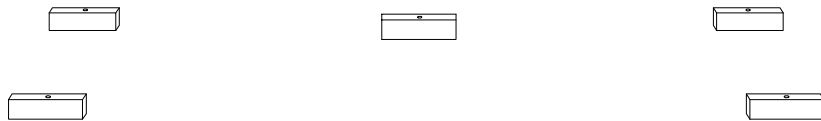
A x 3

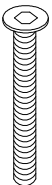
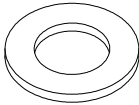
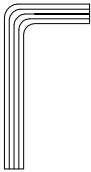


B

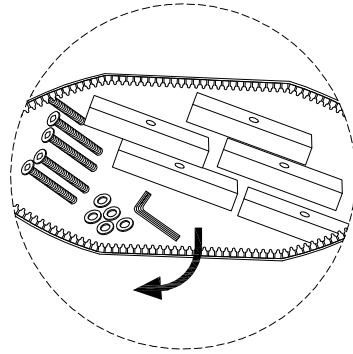
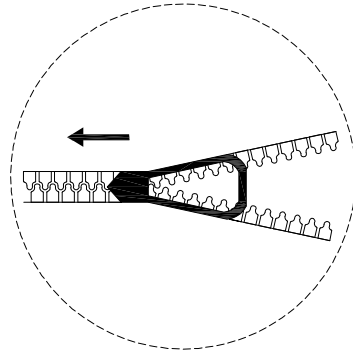
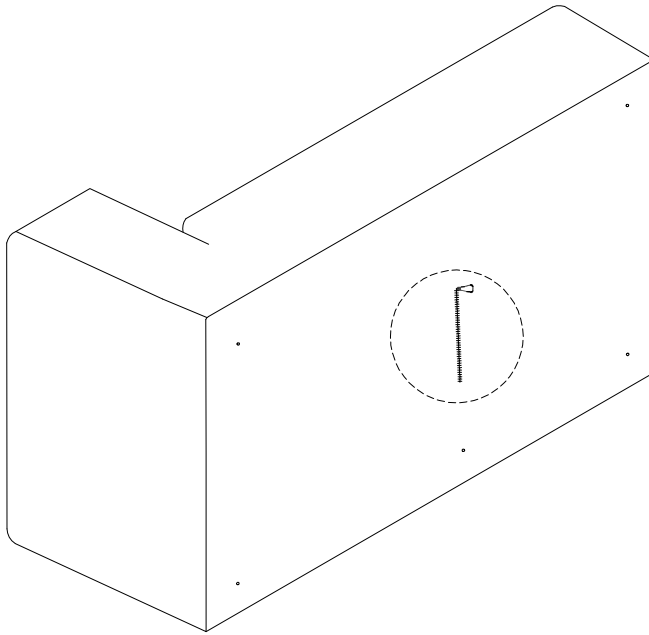


C x 5



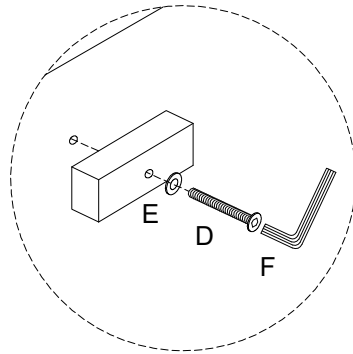
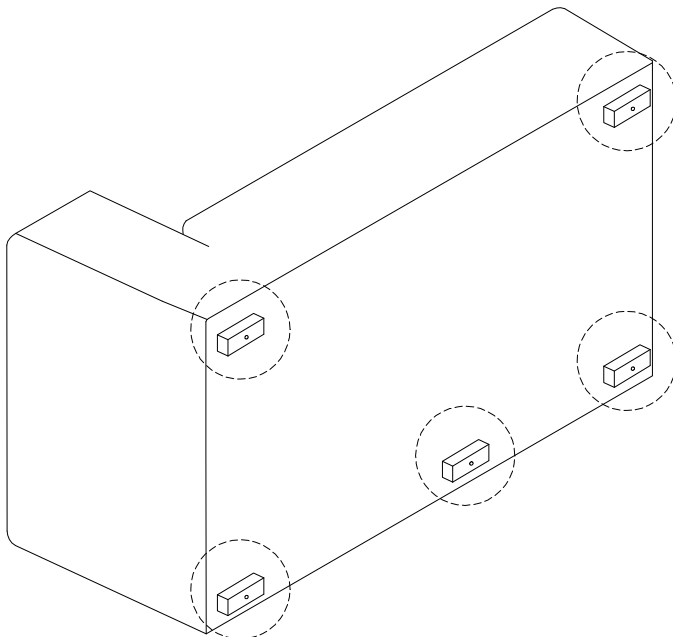
<p>D</p>  <p>M8 x 60</p> <p>x 5</p>	<p>E</p>  <p>x 5</p>	<p>F</p>  <p>x 1</p>
--	---	---

!

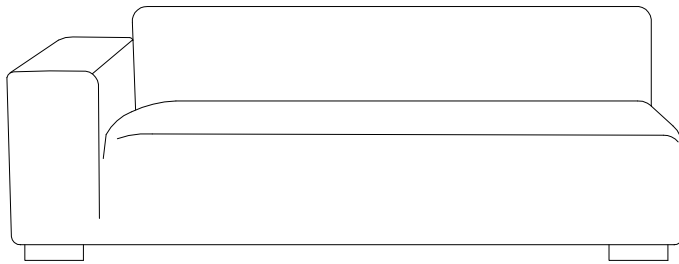
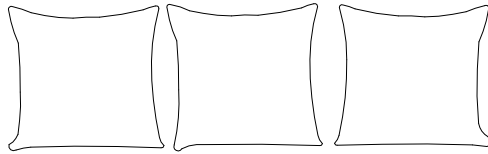
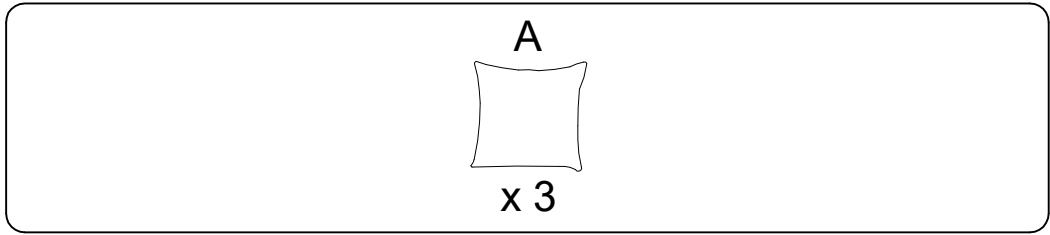


1

B x 1	C x 1	D M8 x 60 x 5	E x 5	F x 1
---------------------	---------------------	-----------------------------------	---------------------	---------------------



2



!

