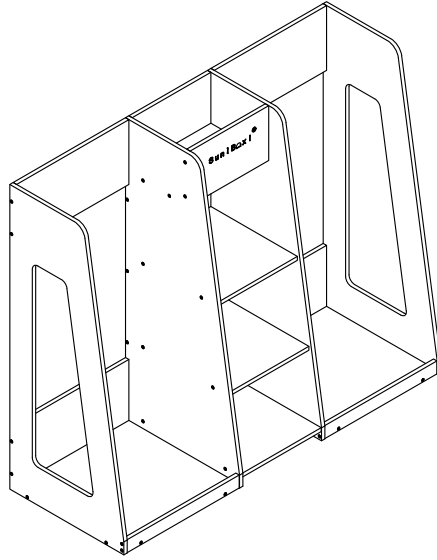


GEF-2301B

Assembly Instructions



(Note: Two people are recommended to install, which will greatly improve your installation efficiency.)

✉ service@suniboxi.shop

Thank you for purchasing our products.

As a reliable seller, we have been pursuing to provide customers with 100% satisfied products and services, so we hope that you will enjoy this shopping experience.

If you find any damage, missing parts or dissatisfaction after receiving the product, pls feel free to contact us at the first time, we will provide you with 100% satisfactory solution. If you are satisfied with our products and services, could you kindly share your shopping experience to more customers? Your comments will help other customers to get better understanding of the products, we will be very grateful to you.

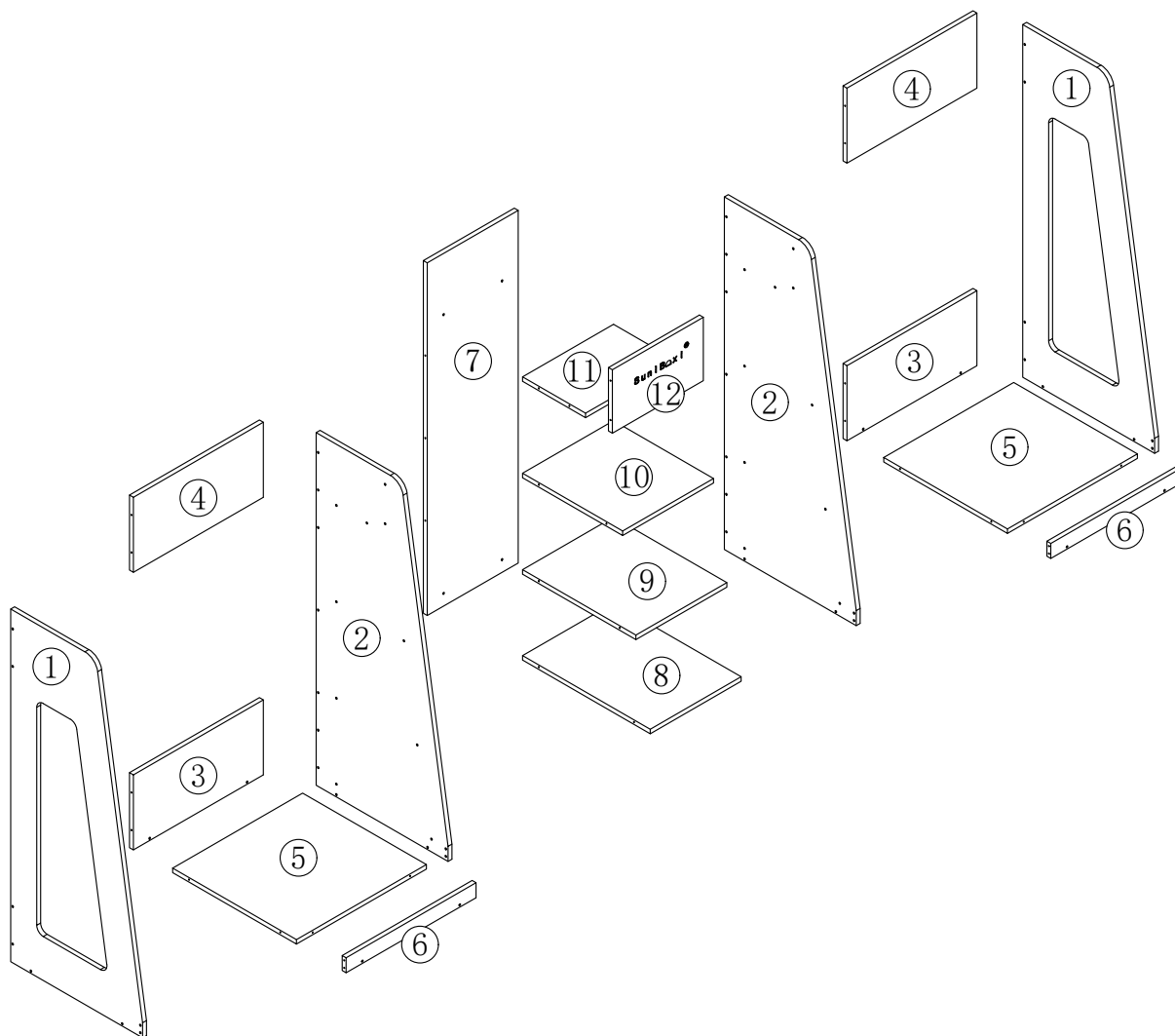
Thanks again for your order. And pls feel free to contact us from Amazon or service@suniboxi.shop in case of any problem regarding assembling or product itself. We will do everything we can to resolve it.

TIPS:

1. Two people are recommended to install, which will greatly improve your installation efficiency.
2. Put the screws in loosely until all pieces are together and then tighten them all. It will save your time if you make a mistake while installing.
3. For installation video please scan the QR code below.

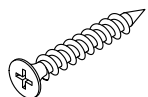


COMPONENTS



A

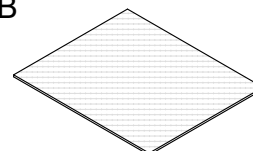
Screw



M4X30mm
70 pcs

B

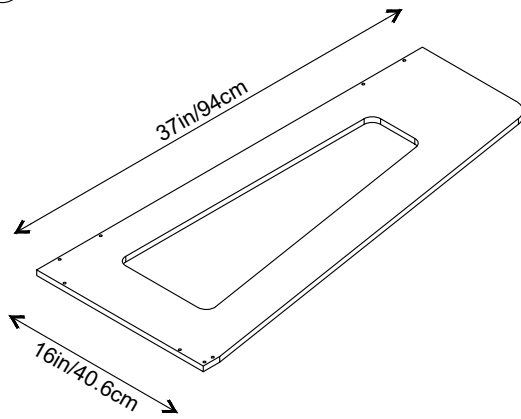
Turf mat



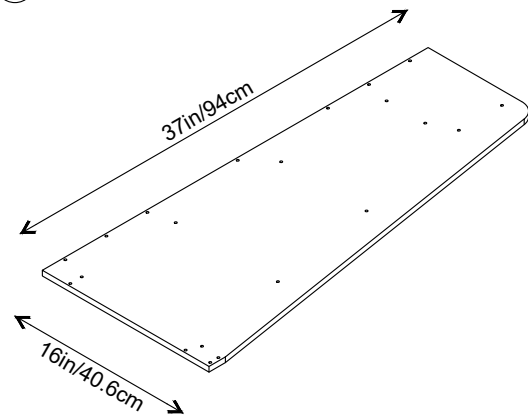
398X379mm
2 pcs

COMPONENTS

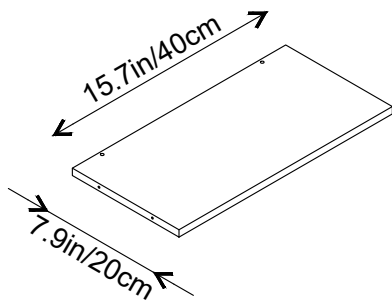
① × 2



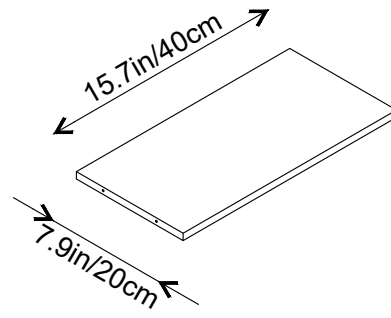
② × 2



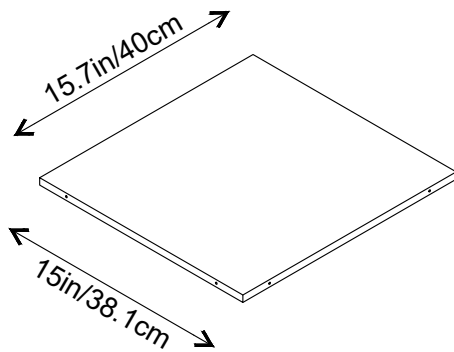
③ × 2



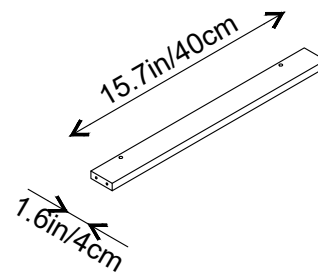
④ × 2



⑤ × 2

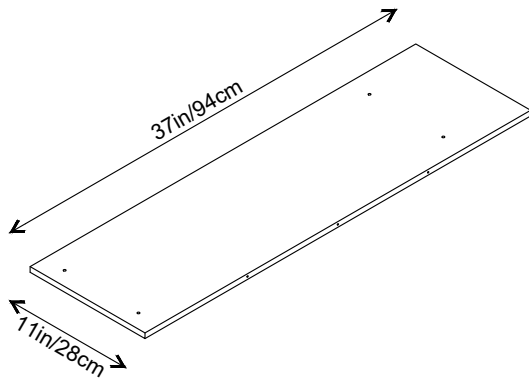


⑥ × 2

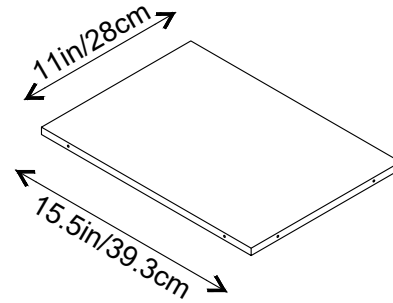


COMPONENTS

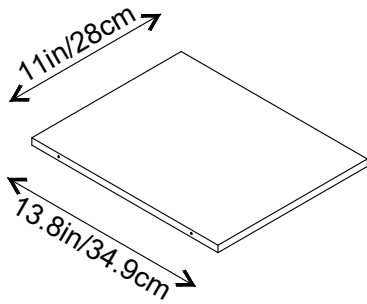
⑦ x1



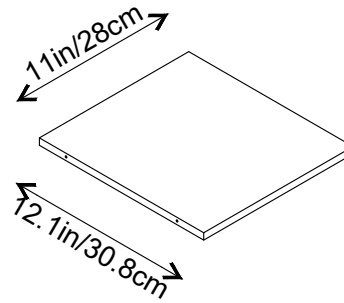
⑧ x1



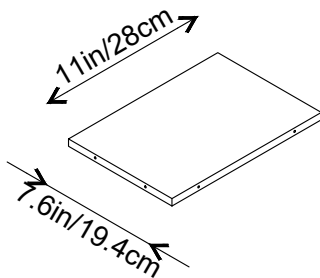
⑨ x1



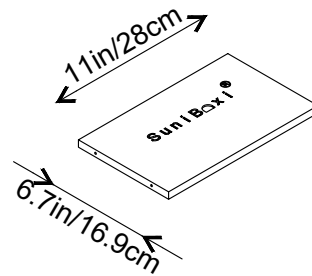
⑩ x1



⑪ x1

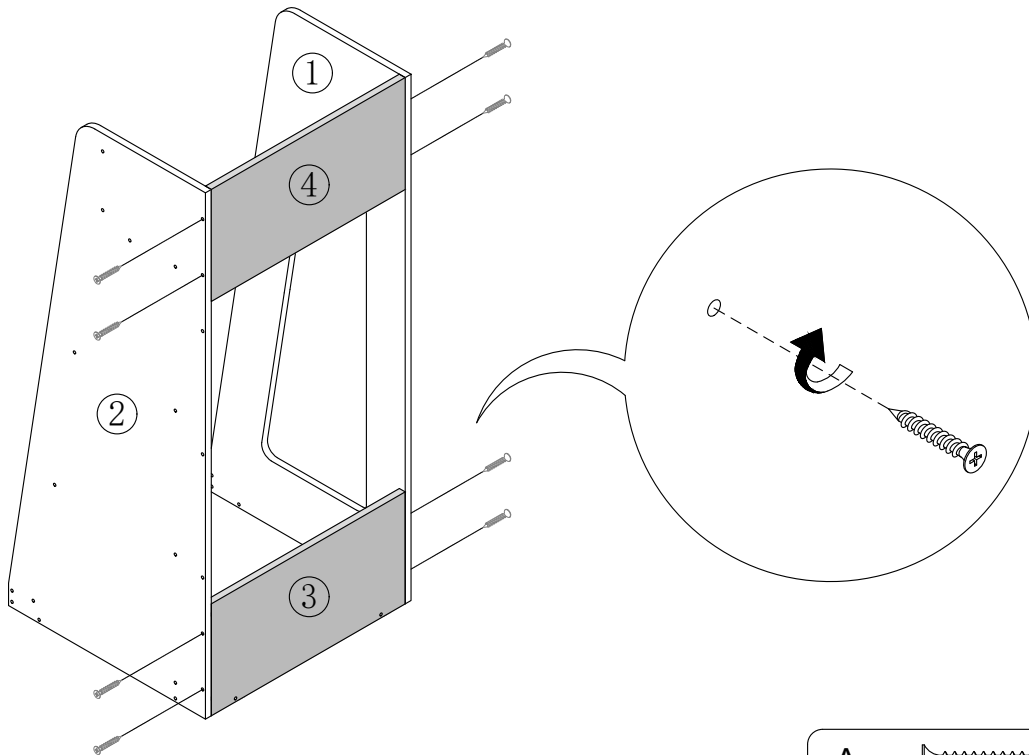


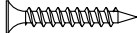
⑫ x1



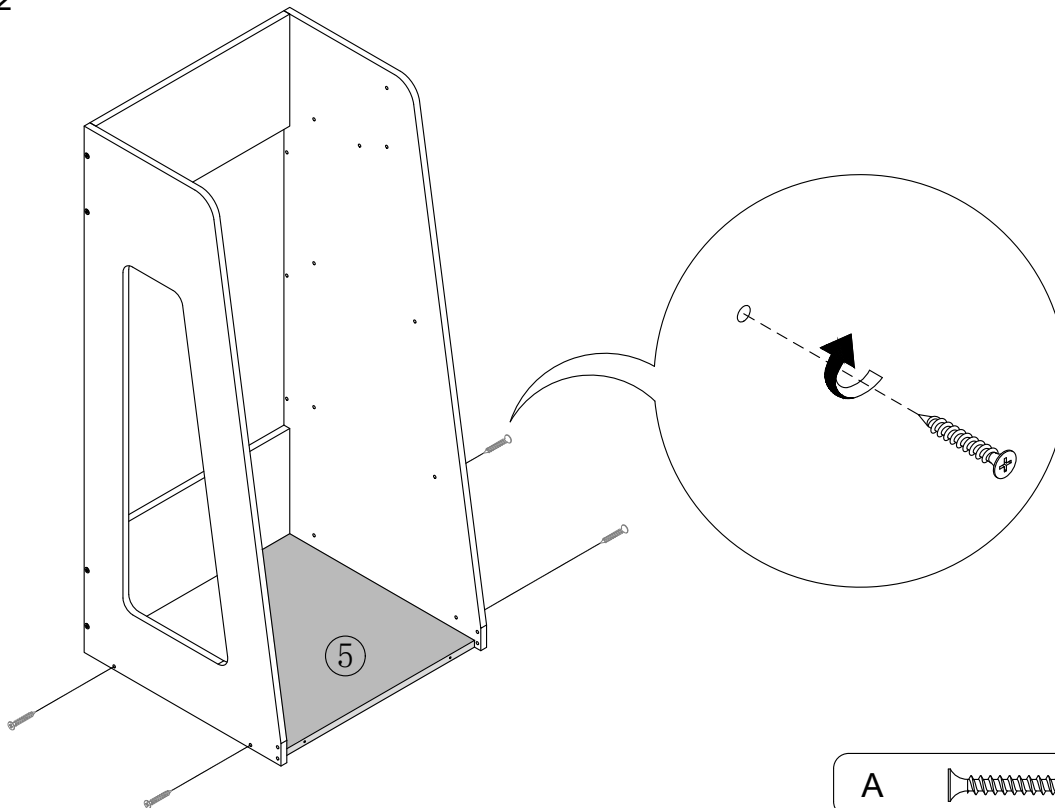
ASSEMBLY

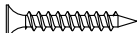
Step 1



A  x8

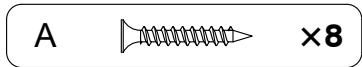
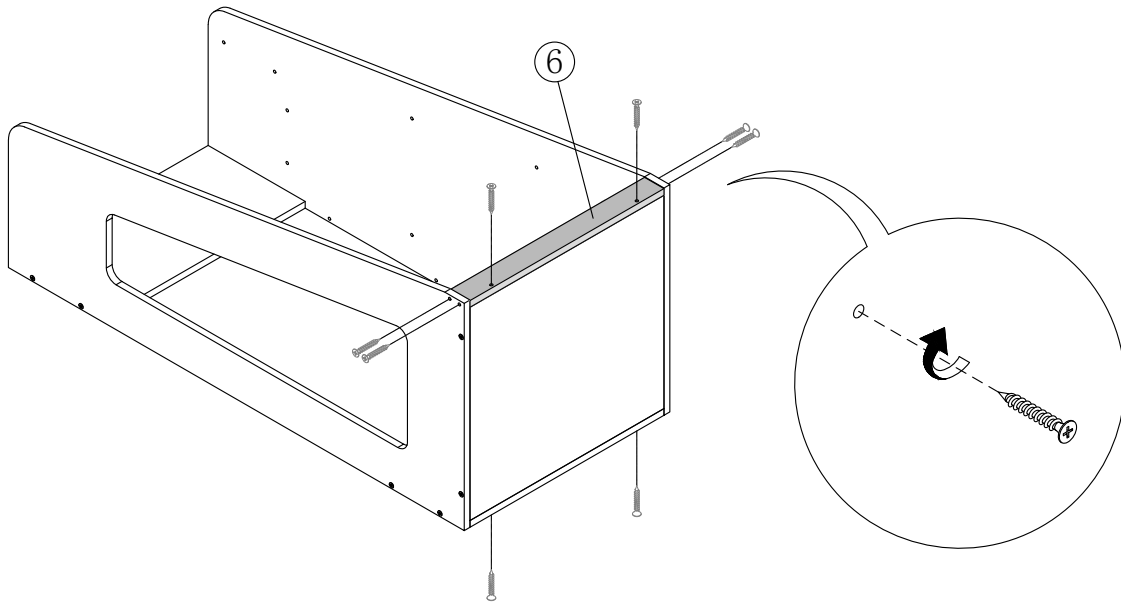
Step 2



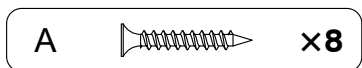
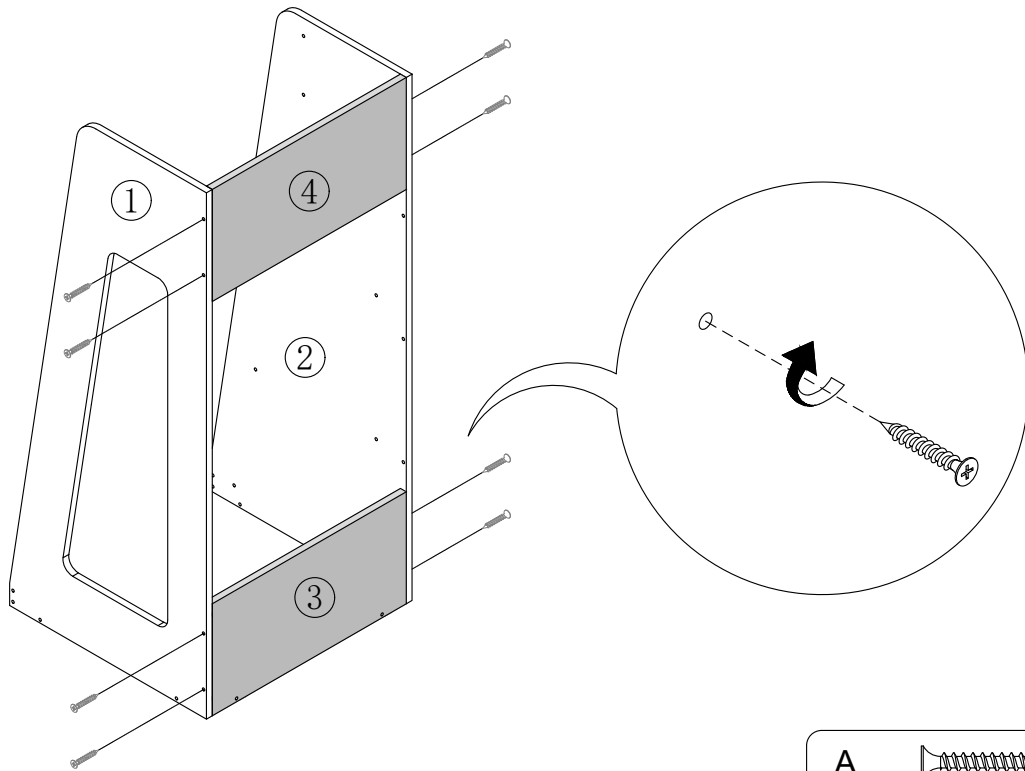
A  x4

ASSEMBLY

Step 3

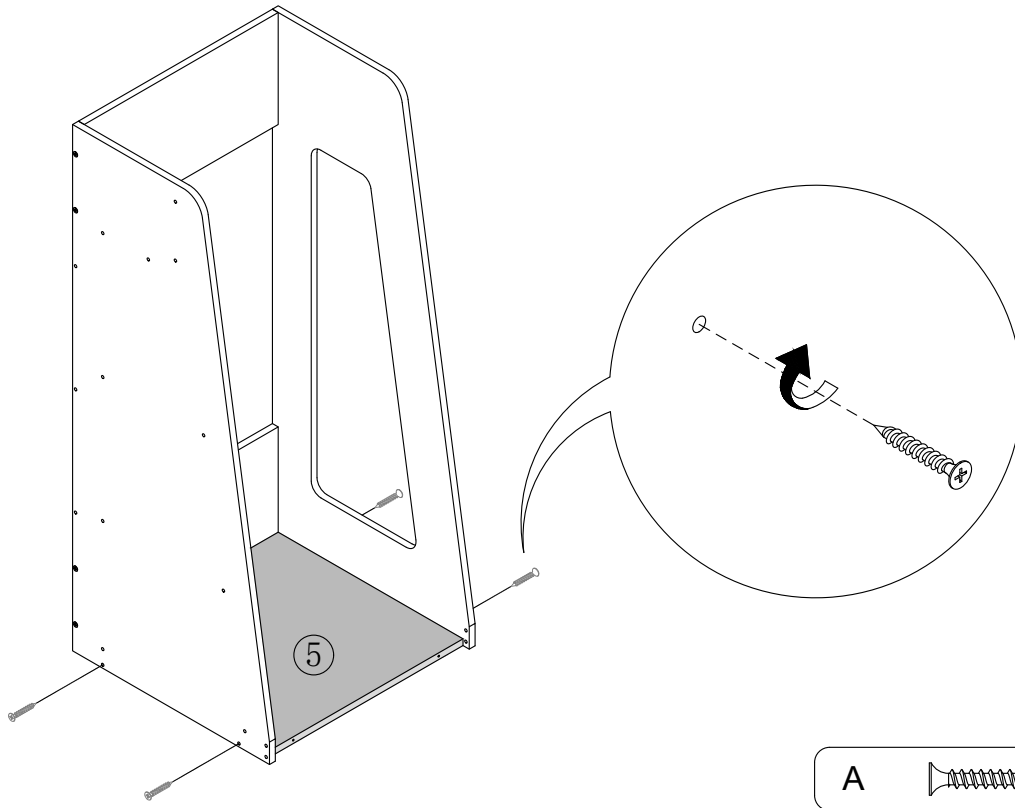


Step 4

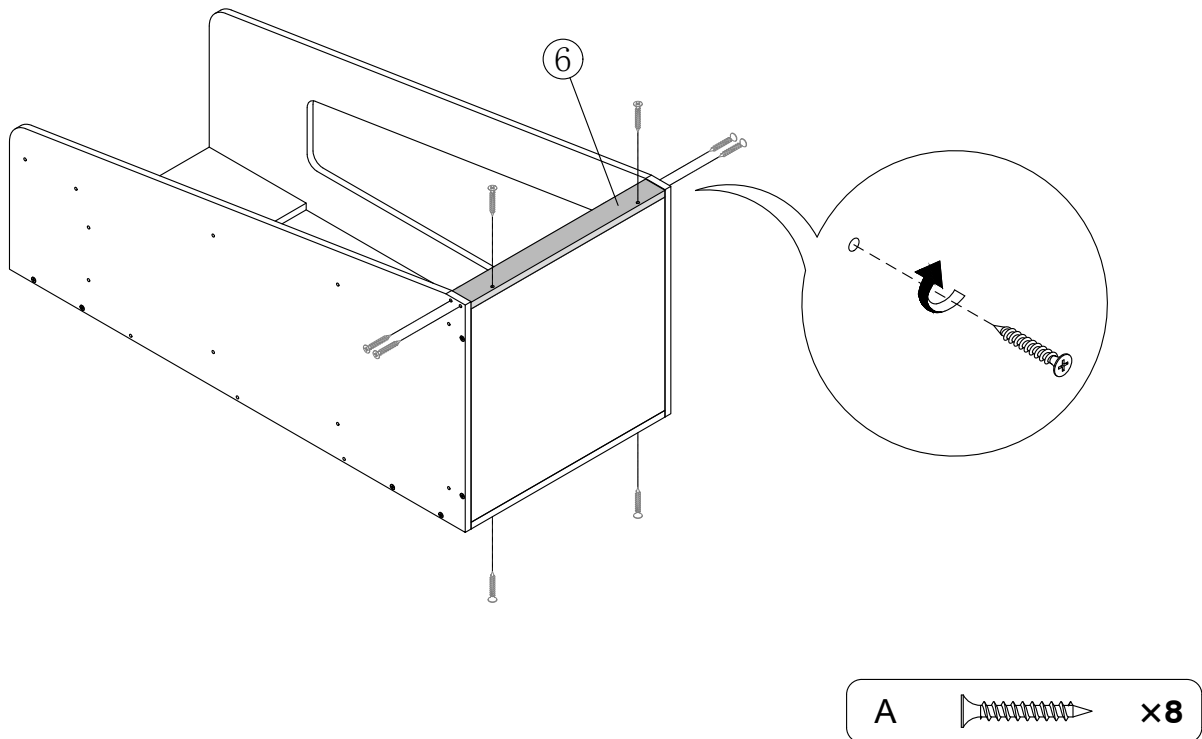


ASSEMBLY

Step 5

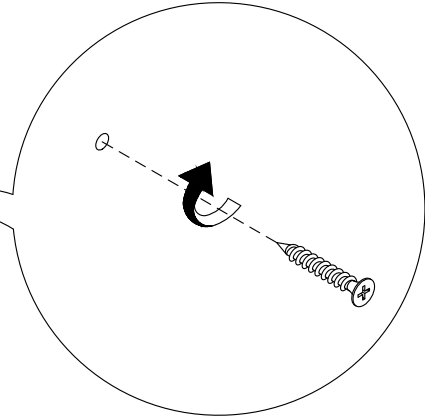
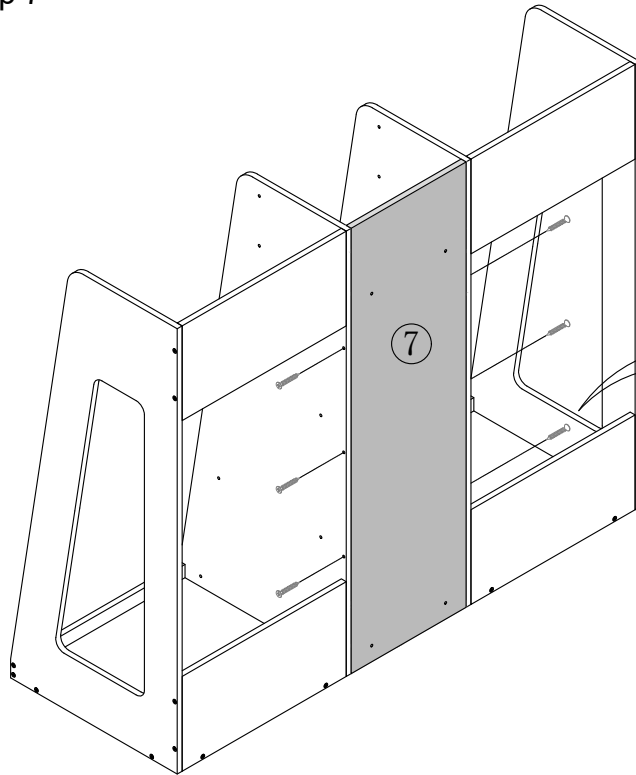


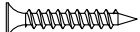
Step 6



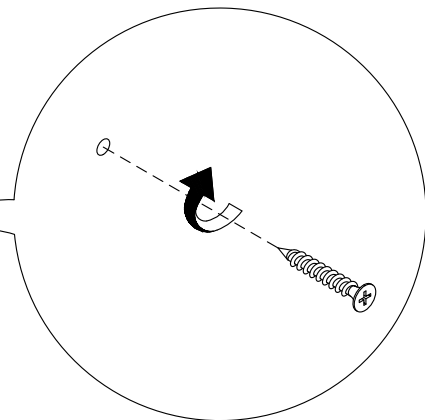
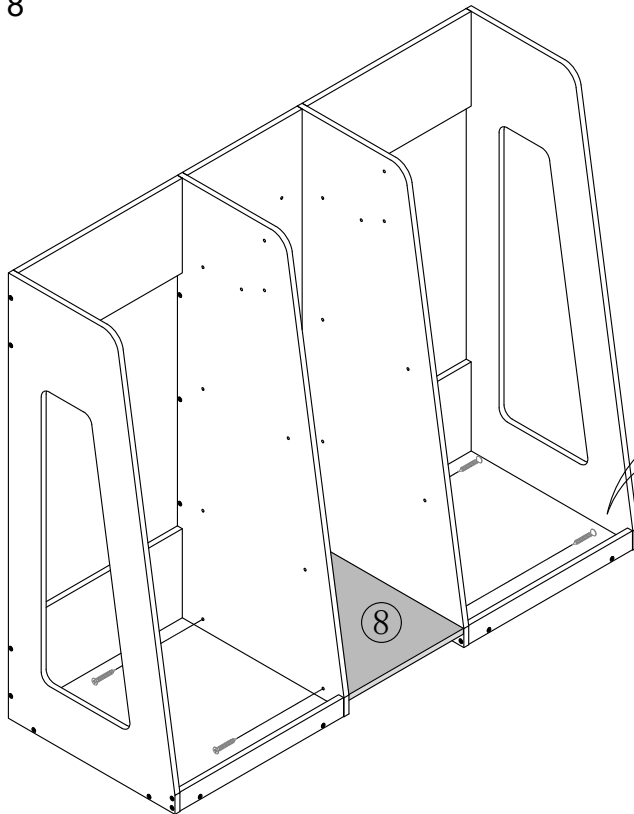
ASSEMBLY

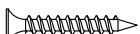
Step 7



A  x6

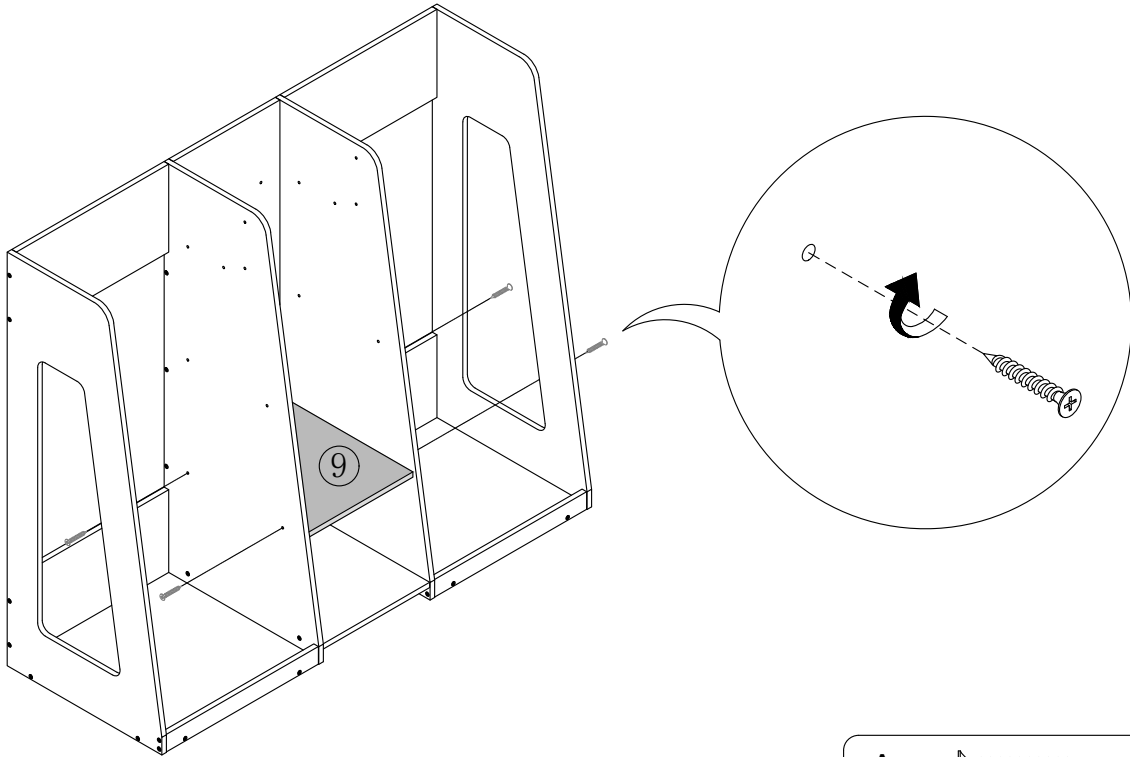
Step 8

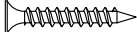


A  x4

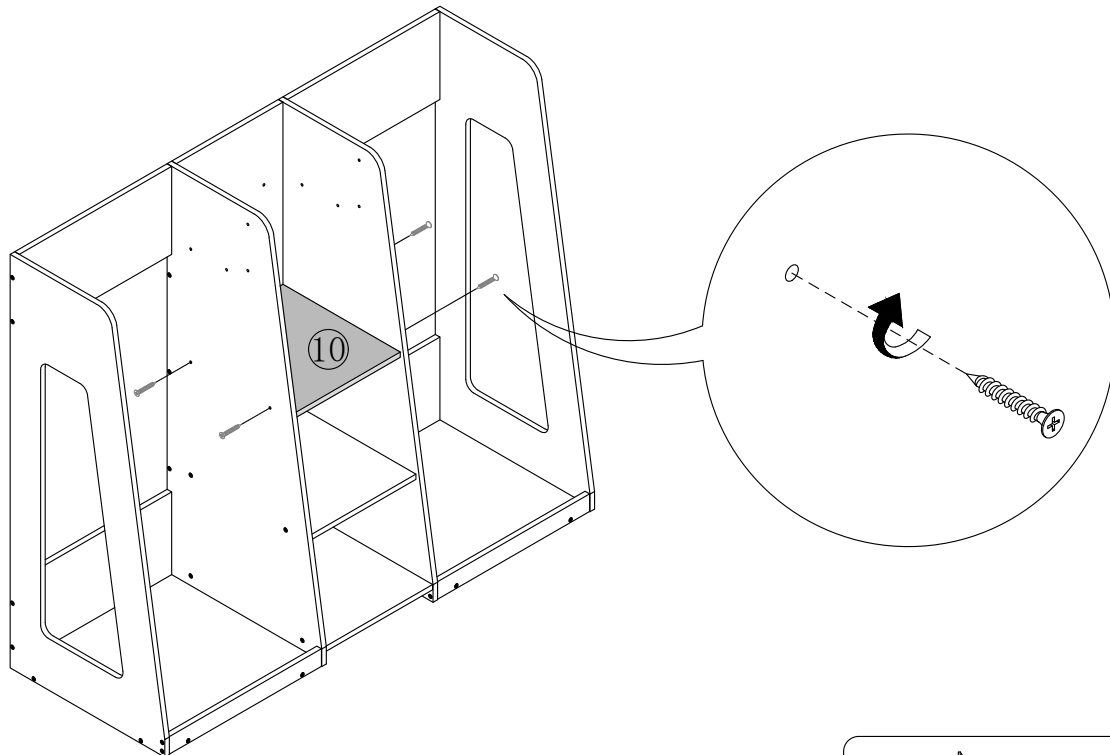
ASSEMBLY

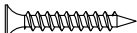
Step 9



A  x4

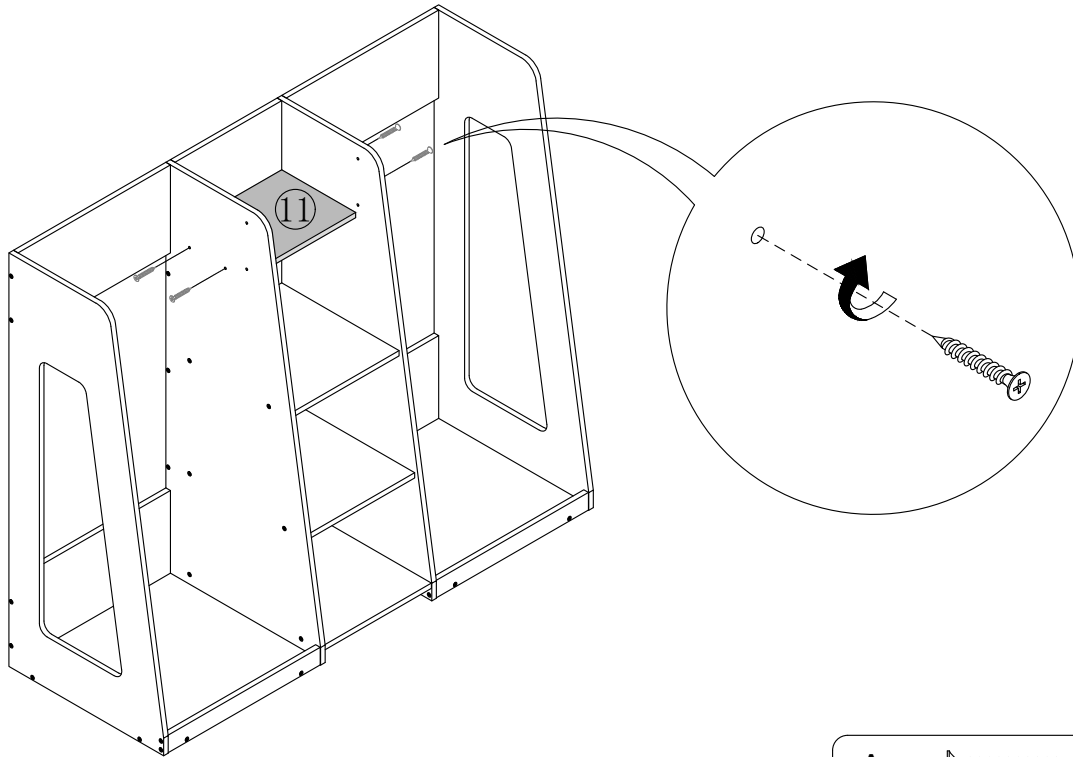
Step 10

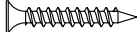


A  x4

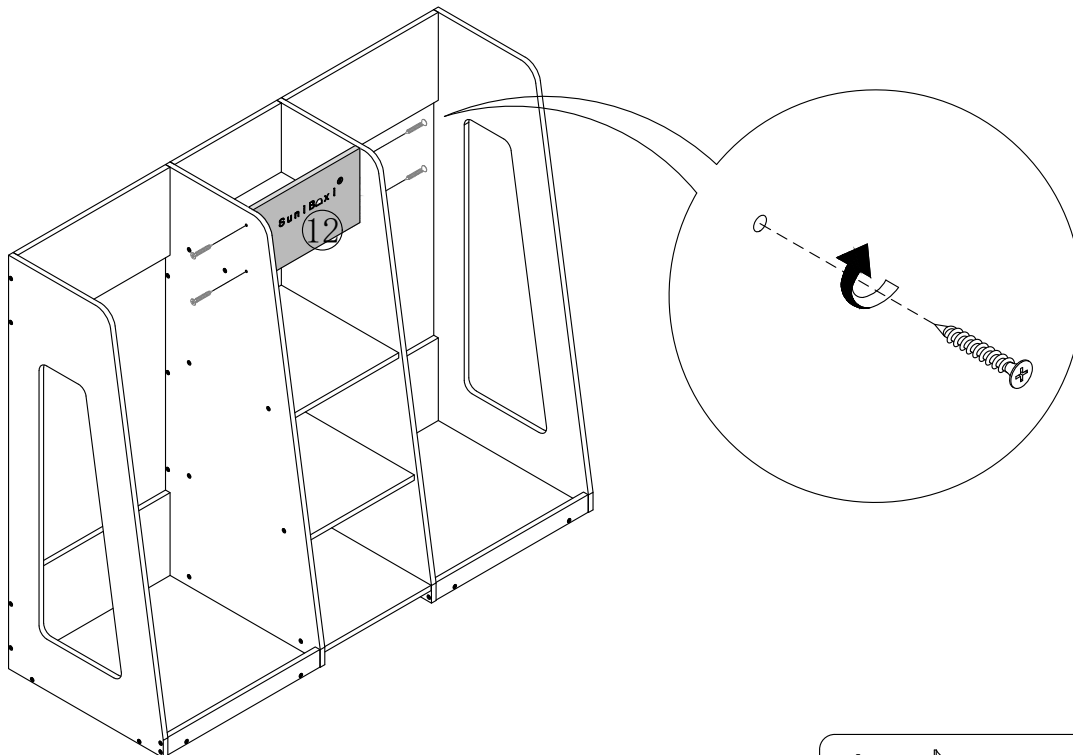
ASSEMBLY

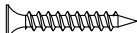
Step 11



A  x4

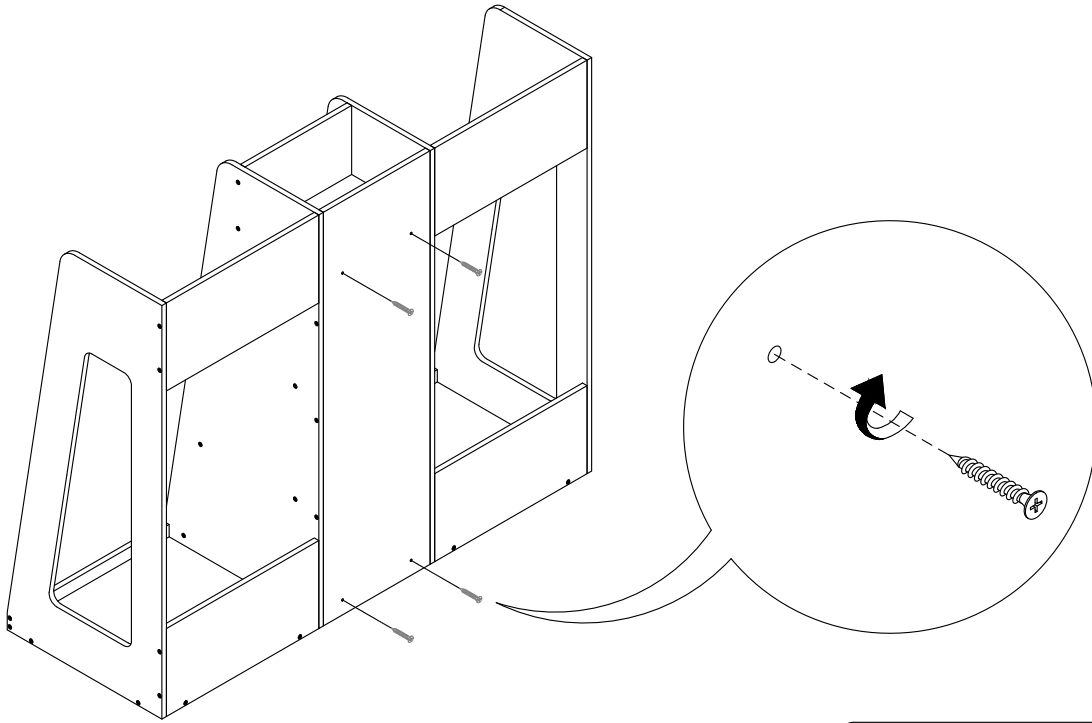
Step 12

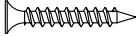


A  x4

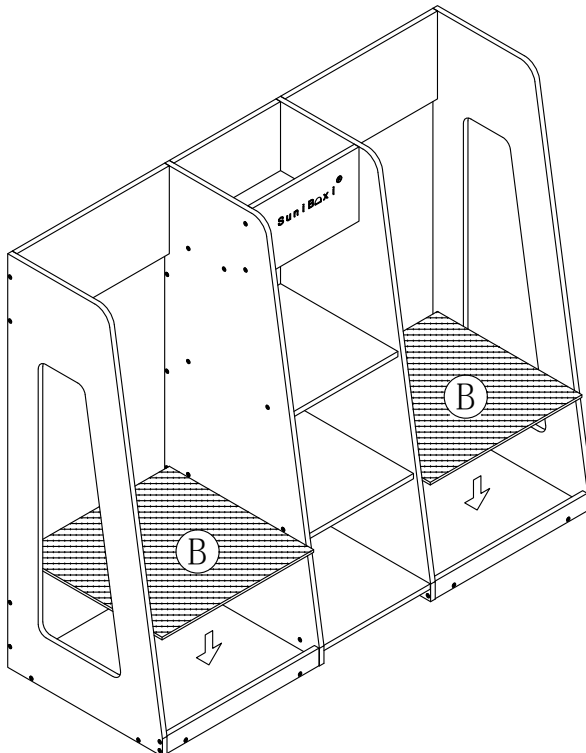
ASSEMBLY

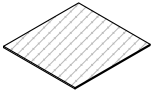
Step 13



A  x4

Step 14



B  x2