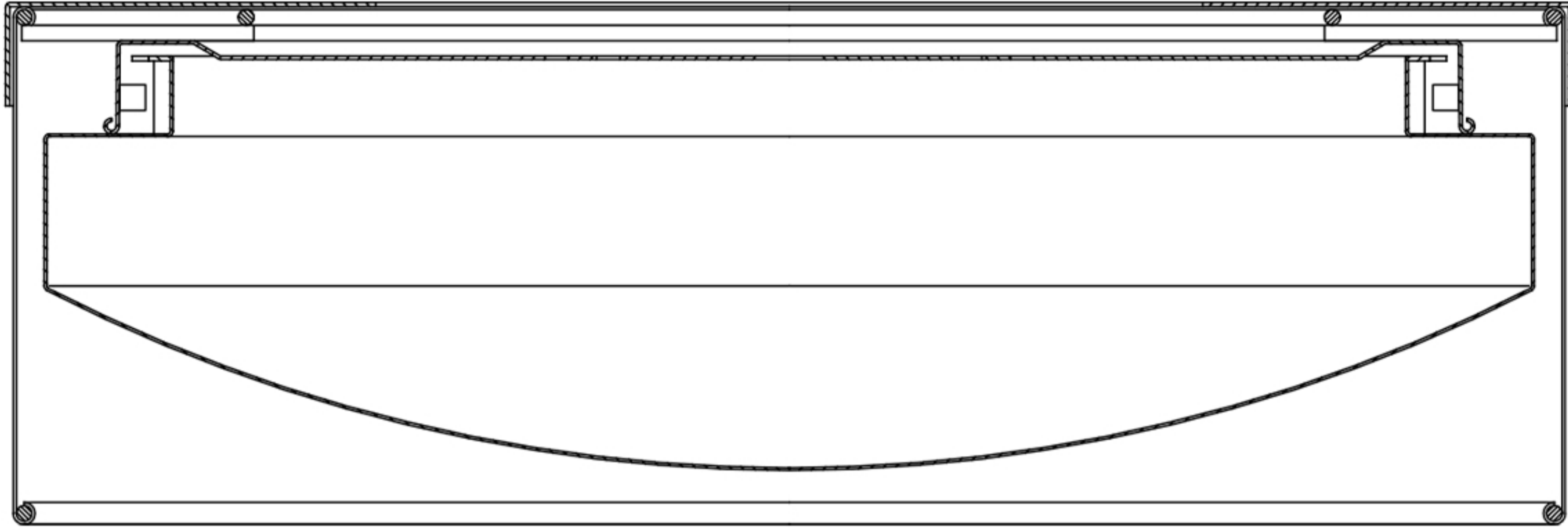




# HAMILYEAH

## BRAND DESCRIPTION



Widely decorated thousands of sweet homes in 50 states in America, Hamilyeah Lighting hails from Great Lakeshore Valley and is committed to fostering a premier name in modern American Lighting with eclectic, vibrant, chic spirit that perfectly pairs mid-century, industrial, classical, vintage with contemporary design. No wait, explore Hamilyeah Lighting, wall sconces, vanity lights, pendants, ceiling lights, floor lamps, table lamps and more.

## PRODUCT PARAMETERS

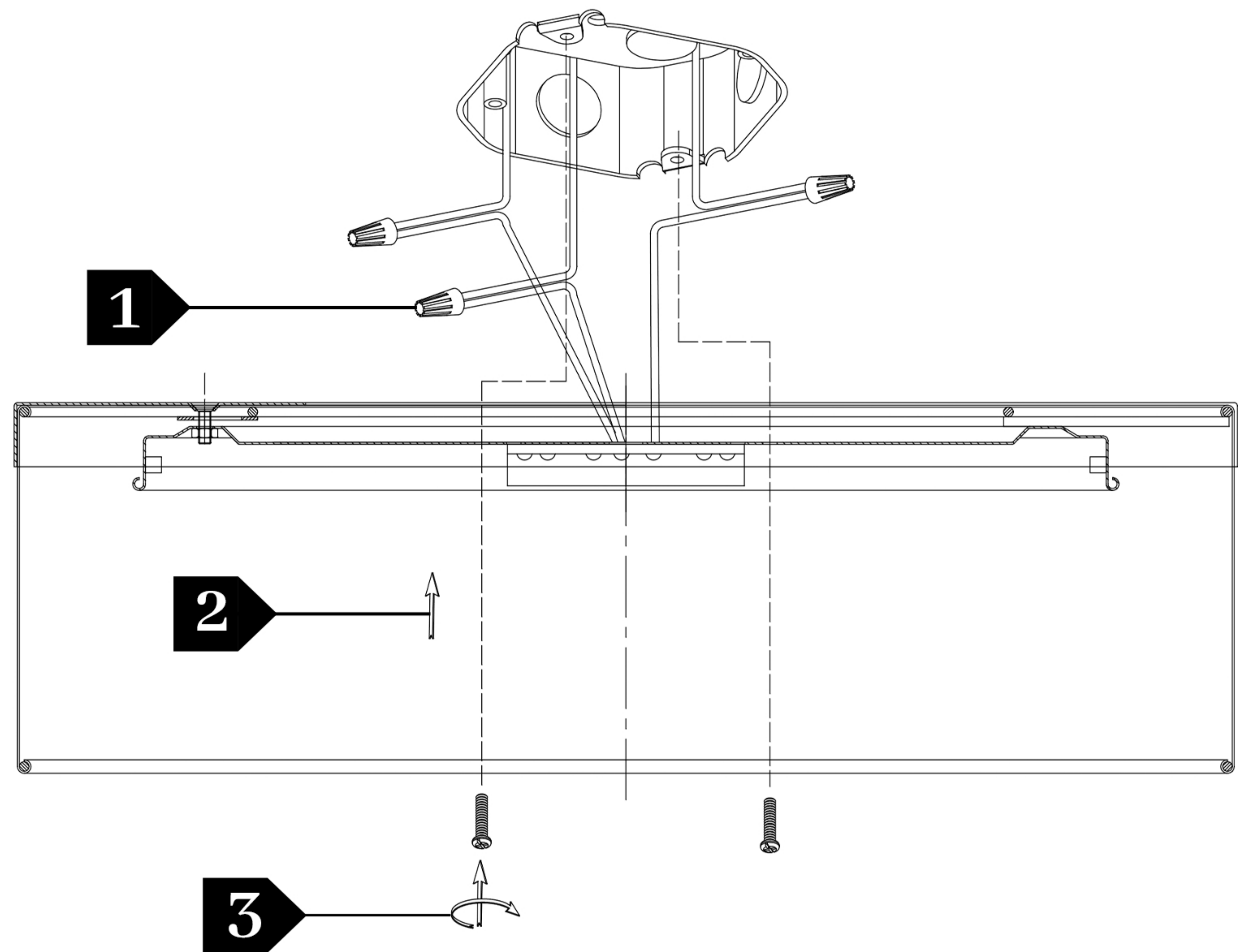
DIMMENSION	15"L*15"W*4"H
WATTAGE	LED 24W 5CCT
BODY FINISH	Quality Fabric
SHADE	Premium
DIMMABLE	Yes
LOCATION	Damp and Dry Location

## Warranty

The manufacturer warrants all of its lighting fixtures against defects in materials and workmanship for one year from the date of purchase. If within this period the product is found to be defective in material or workmanship, or glass shade broken/cracked feel free to CONTACT US

# Installation Illustration

CAUTION: Turn off power before installation

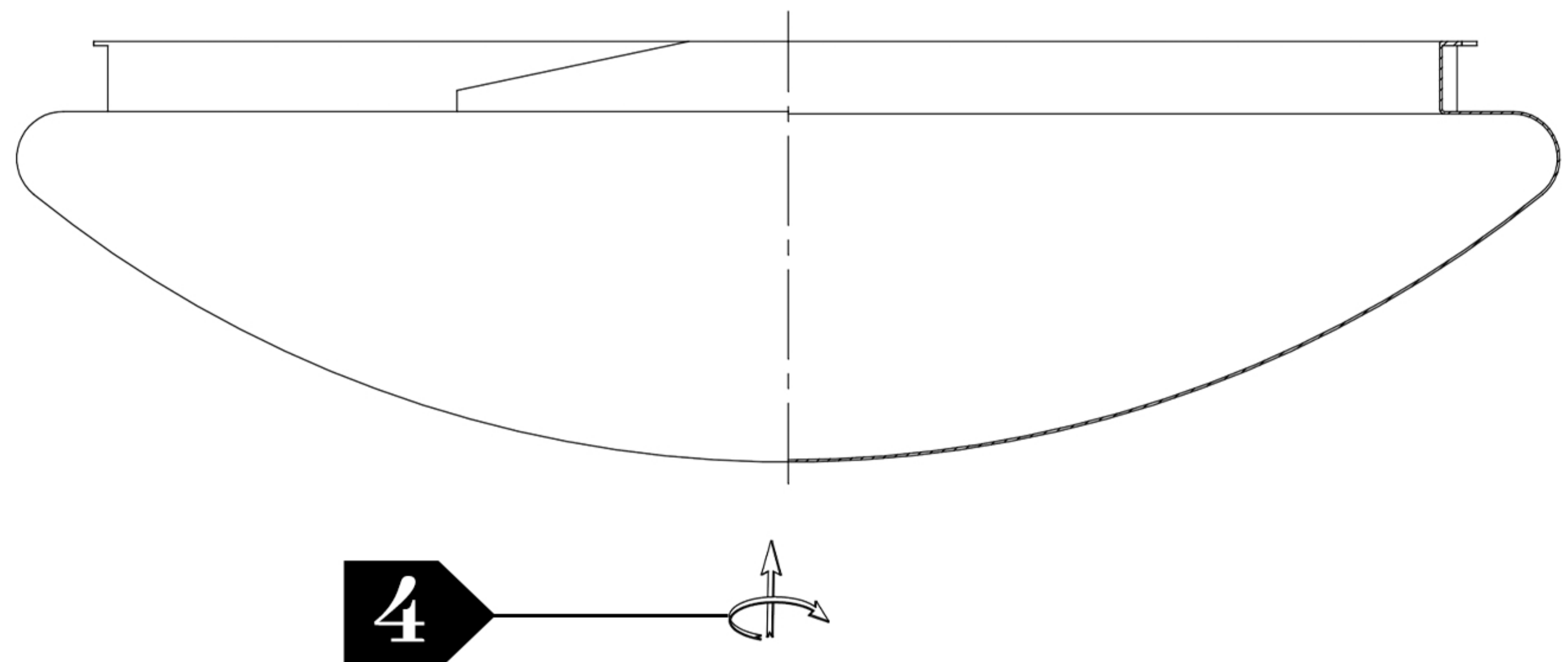


1 Wire connection

2 Lock the fixture

3 Screw the nut

4 Twist the PC cover



**IMPORTANT: READ AND FOLLOW BELOW SAFETY INSTRUCTIONS**

**GENERAL:** All electrical connections must be in accordance with local and National Electrical Code (N.E.C) standards. LED Retrofit Kit installation requires knowledge of luminaire electrical systems. If you are unfamiliar with proper electrical wiring connections obtain the services of a qualified electrician.

**CAUTION**

- Turn off power before changing lamp.
- Use only on 110-120 volts circuits.
- Risk of electric shock- do not use where directly exposed to water.
- Not suitable for totally enclosed fixtures. Not intended for use with emergency exit lamp or fixture.
- Do not use this fixture close to any source of heat.
- Place the device out of reach from children under 3 years old."