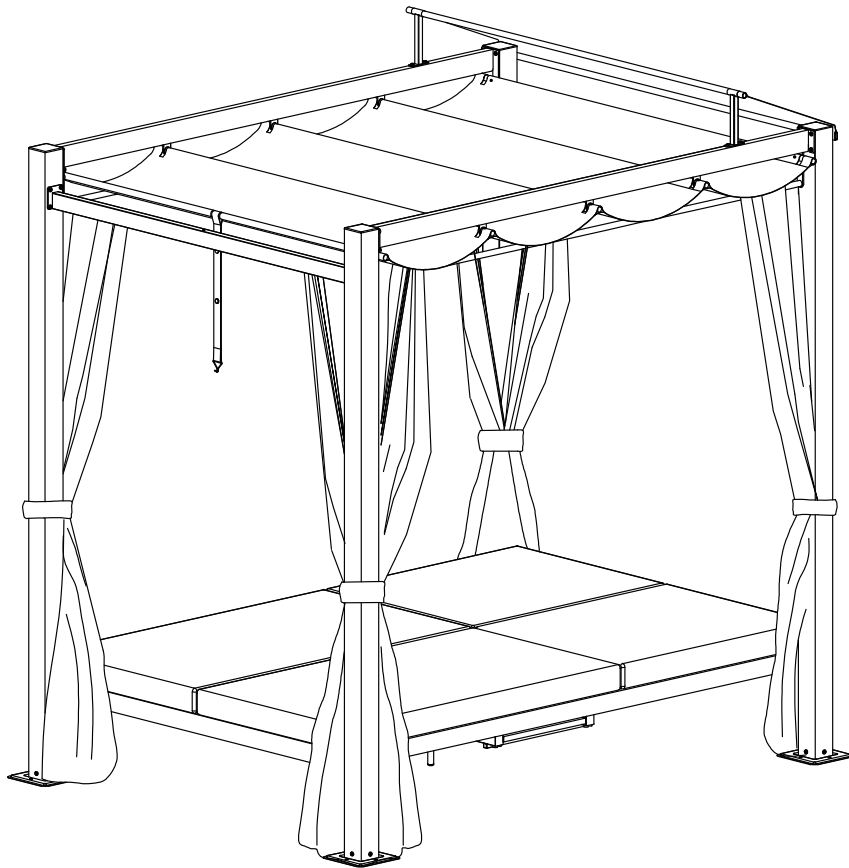


**Outdoor Double Lounge with
Retractable Canopy and Curtains**

ASSEMBLY MANUAL



Pre-assembly



1. Two or more people are required for assembly.



2. You will need one or more stepladders.



3. Wearing protective gloves is recommended.



4. You may need a safety hat.



5. Please use a Phillips screw driver.



6. For ease of construction, you may need a drill.



7. You may need a safety goggle.



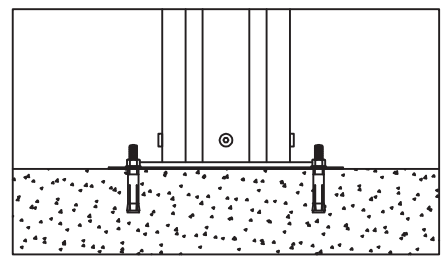
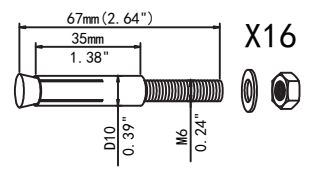
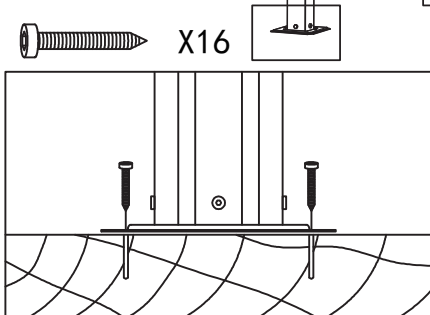
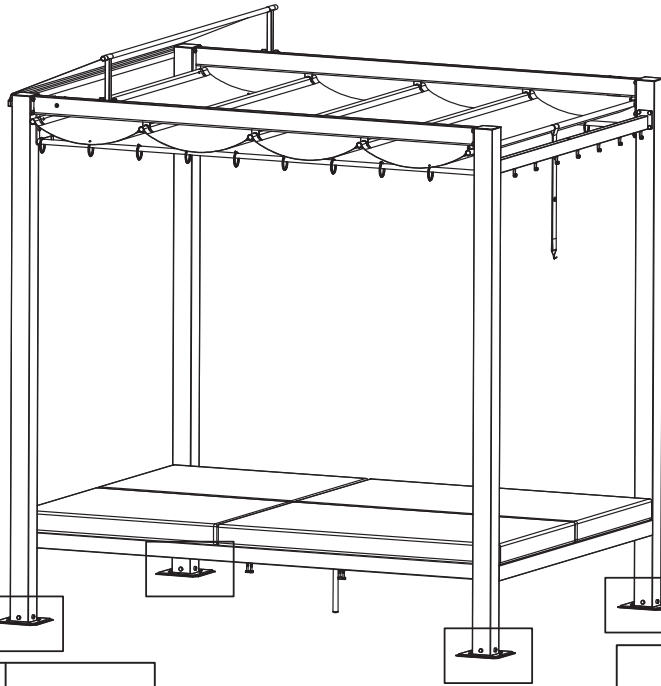
8. Do not fully tighten screws prior to complete assembly.

Warning & Attention

-Try to assemble this product on the flat ground, otherwise it is difficult to carry out;

-It would be much easier to assemble the product with three or more people;

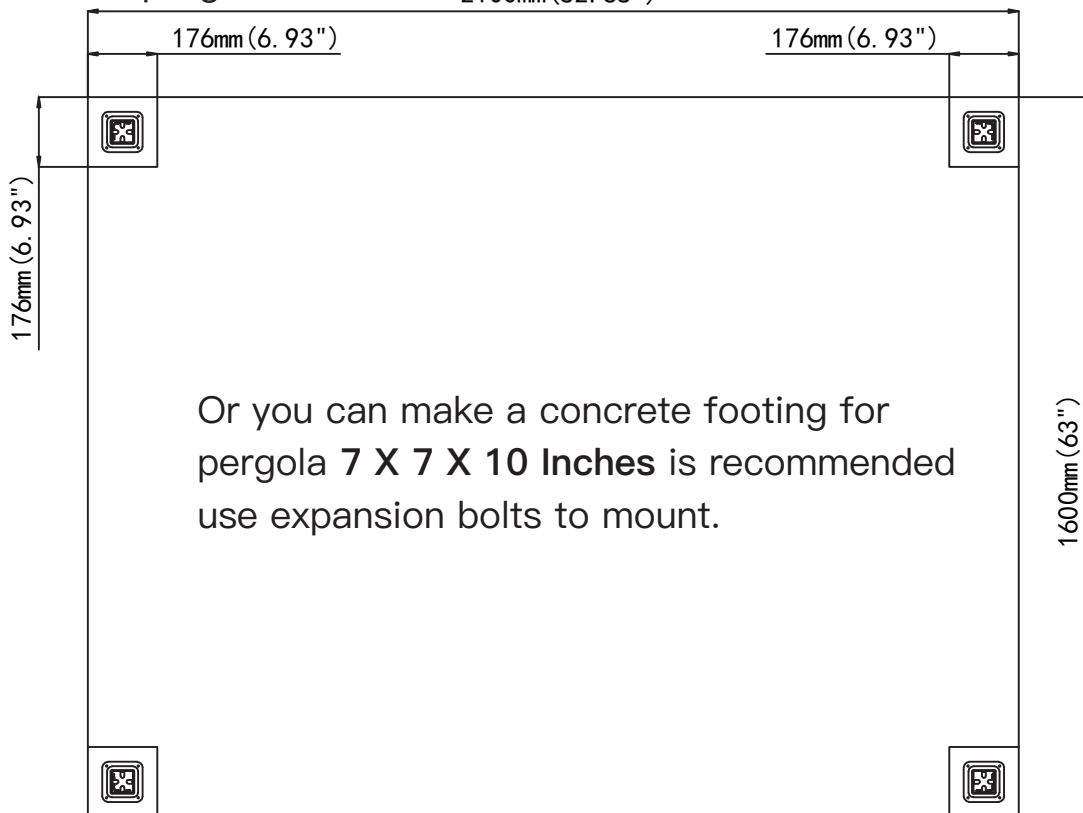
-After assembly, please check whether all screws are tightened, to prevent parts from falling apart.



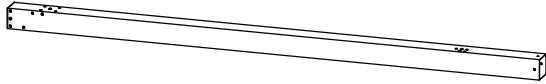
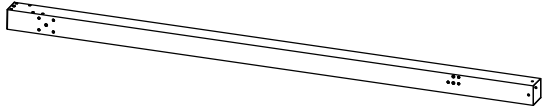
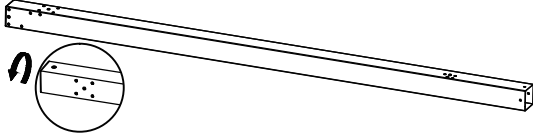
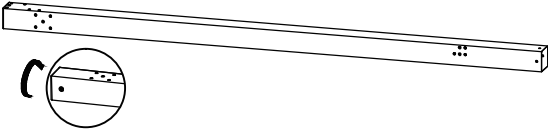
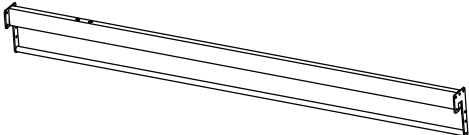
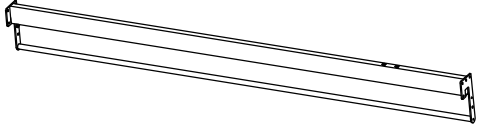
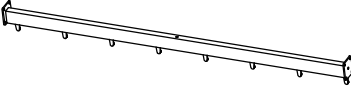





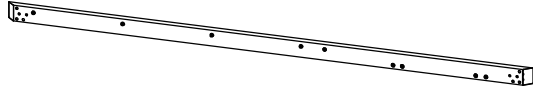
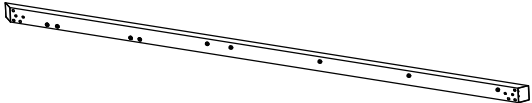
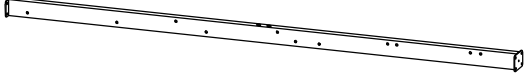


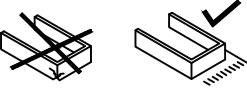
If the deck is hard wood and the depth of it is over 3 inch you can use **5/16 in. x4 in. Structural Wood Screw** to mount the pergola.





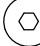

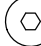
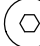
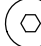




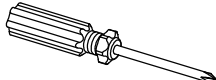
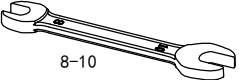


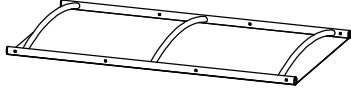
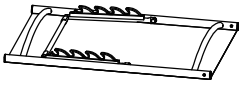
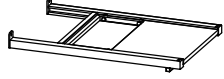
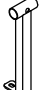



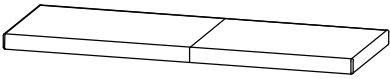
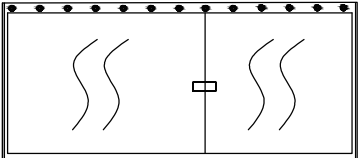
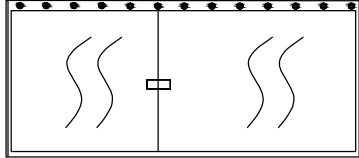
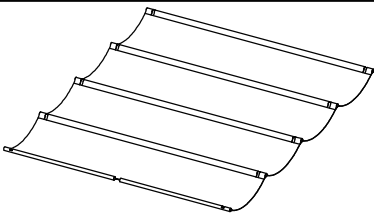
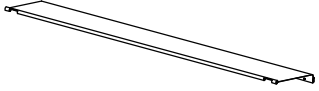



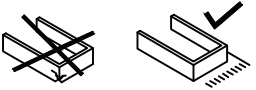
If the ground is concreted and the depth of it is over 3 inch you can use 1/4 inch expansion bolts to mount the pergola.

2100mm (82. 68")



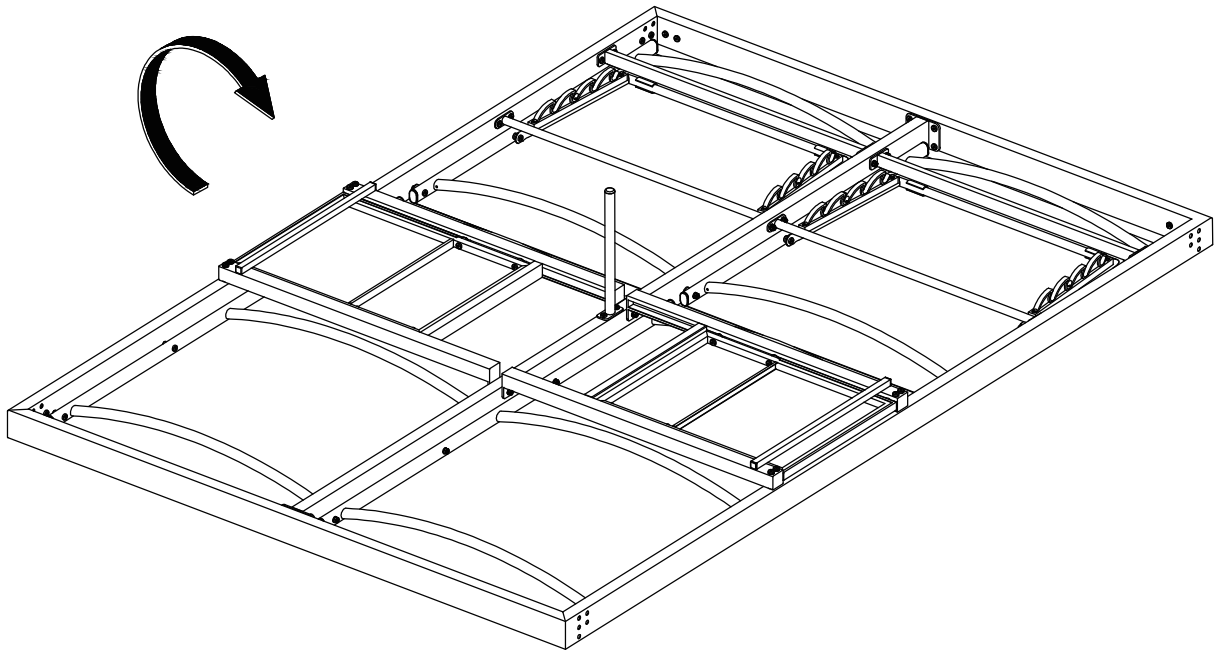
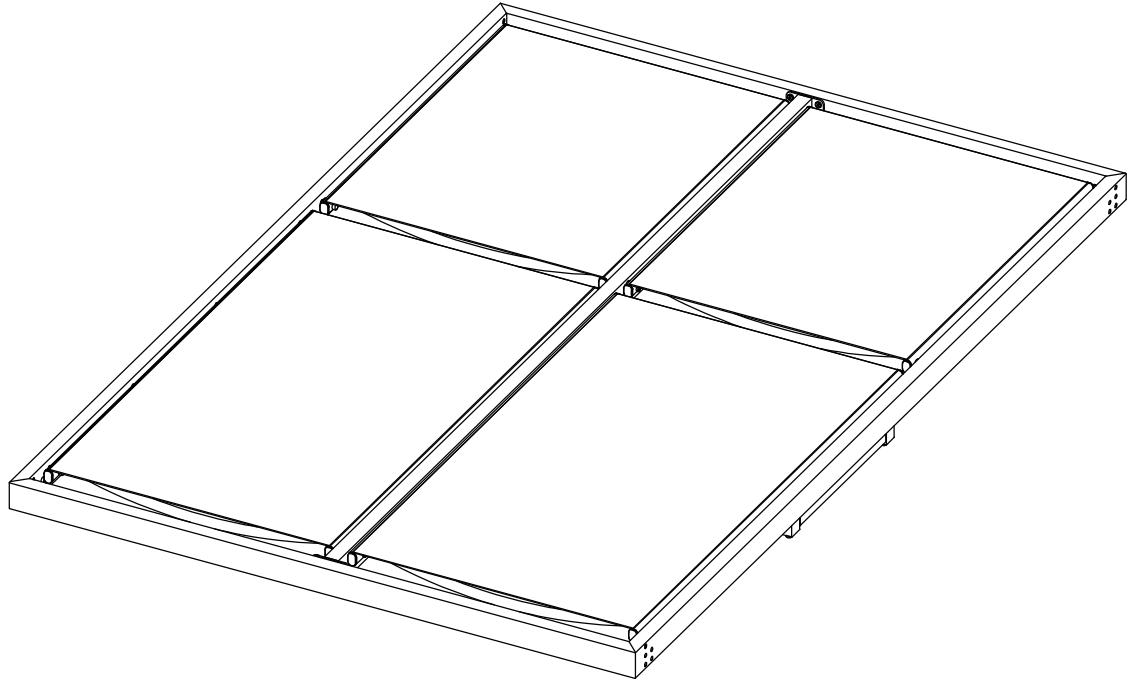
Or you can make a concrete footing for pergola **7 X 7 X 10 Inches** is recommended use expansion bolts to mount.

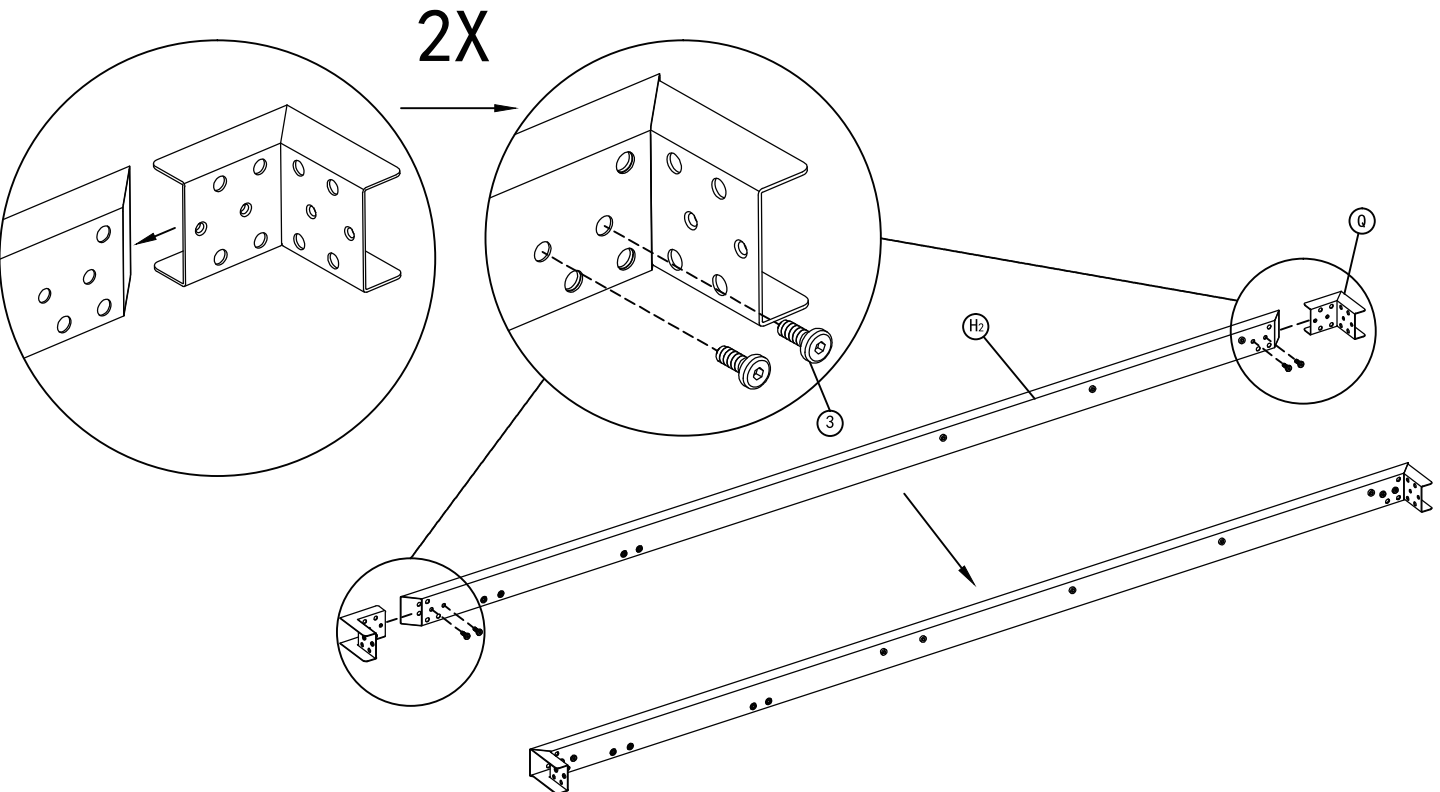
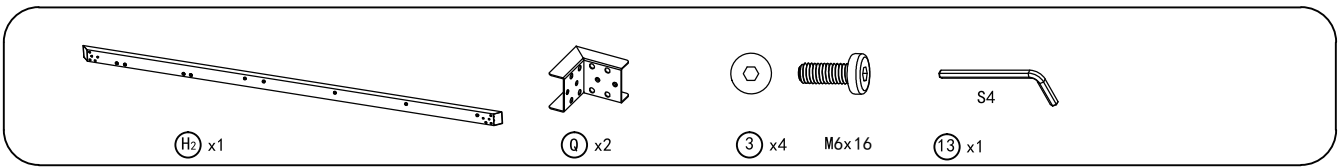
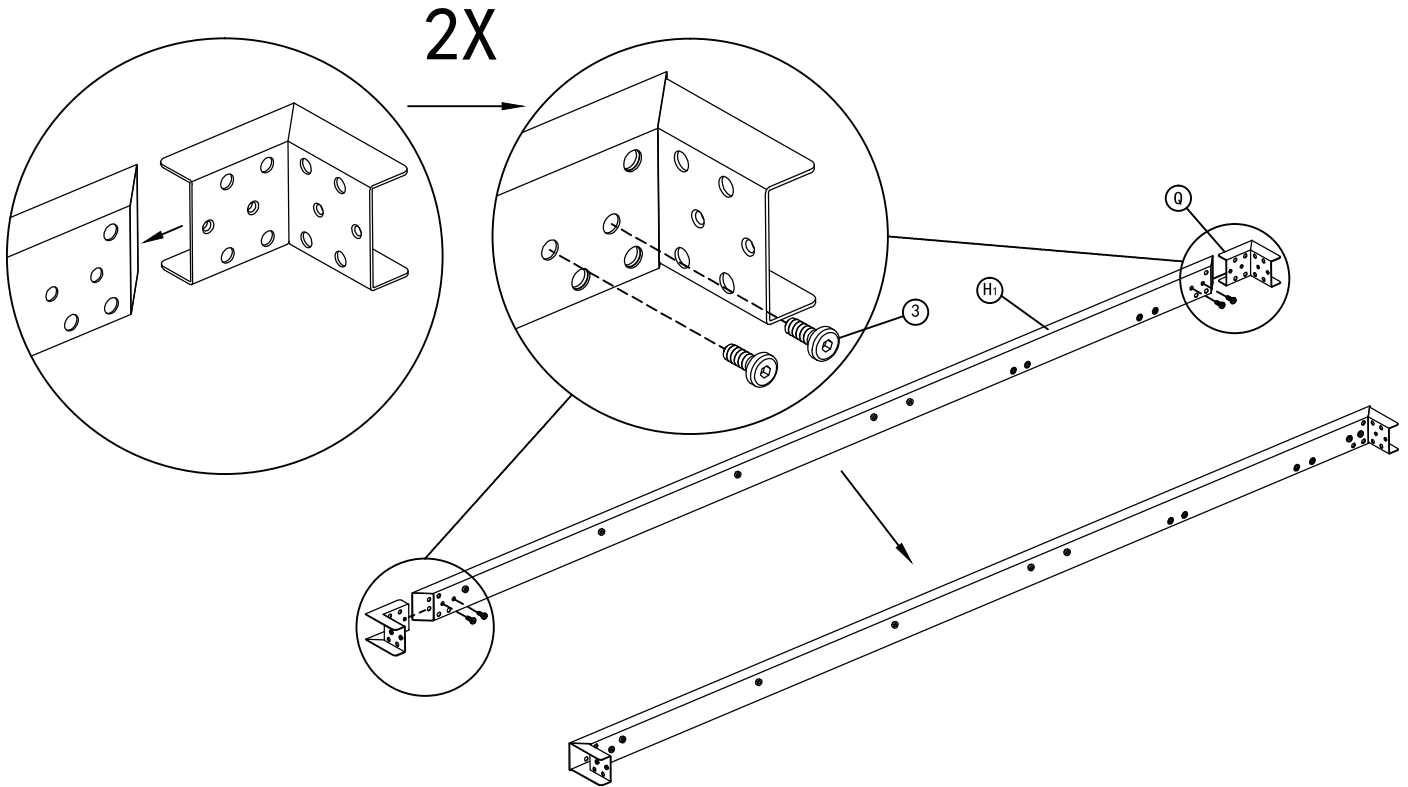
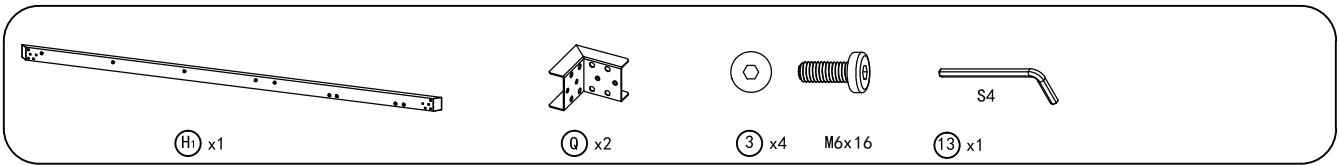
	 <p>(A1) x1 Post</p>	 <p>(A2) x1 Post</p>
	 <p>(A3) x1 Post</p>	 <p>(A4) x1 Post</p>
	 <p>(B1) x1 Beam</p>	 <p>(B2) x1 Beam</p>
	 <p>(C) x2 Beam</p>	 <p>(D1) x4 Canopy Support Tube</p>
	 <p>(D2) x1 Canopy Support Tube</p>	 <p>(E) x1 Small Canopy Support Tube</p>
	 <p>(F) x1 Small Canopy Support Tube</p>	 <p>(G) x2 Bed Frame</p>
	 <p>(H1) x1 Bed Frame</p>	 <p>(H2) x1 Bed Frame</p>
	 <p>(I) x1 Bed Frame</p>	 <p>(J) x2 Bed Frame Support Tube</p>  <p>(K) x2 Bed Frame Support Tube</p>
		
<p>1</p>		

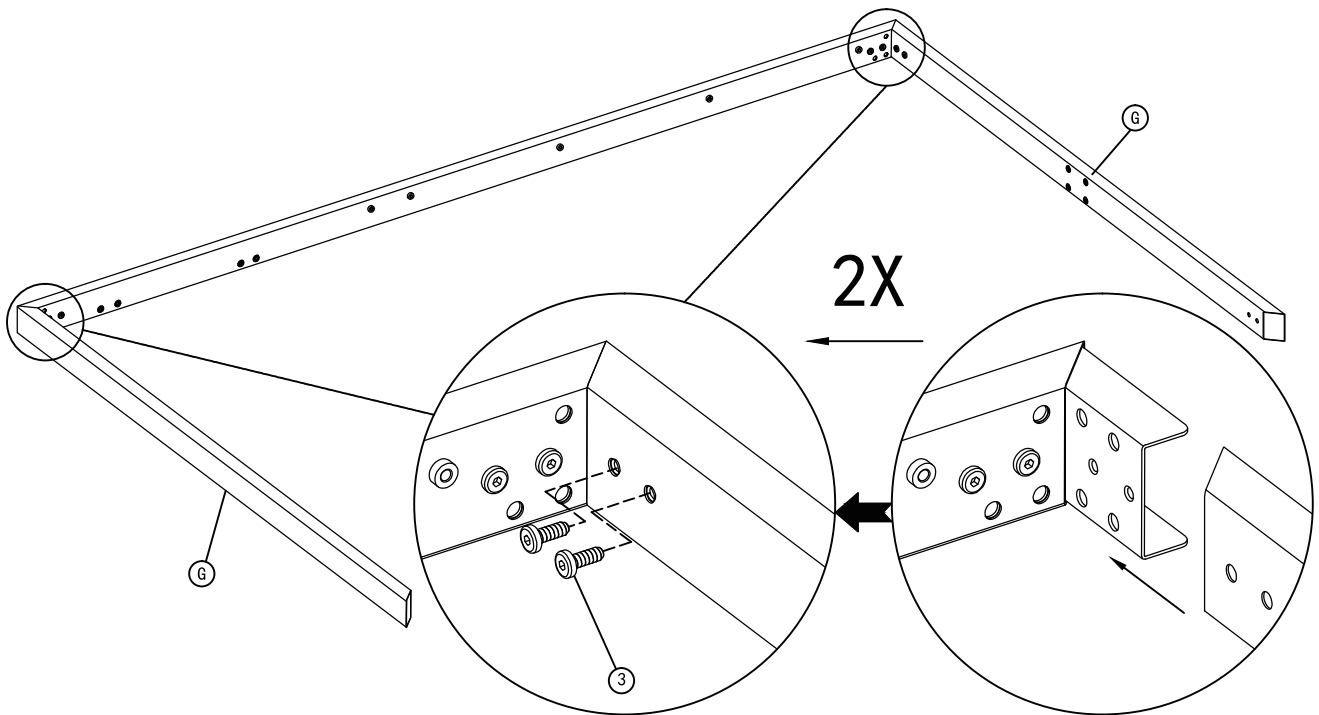
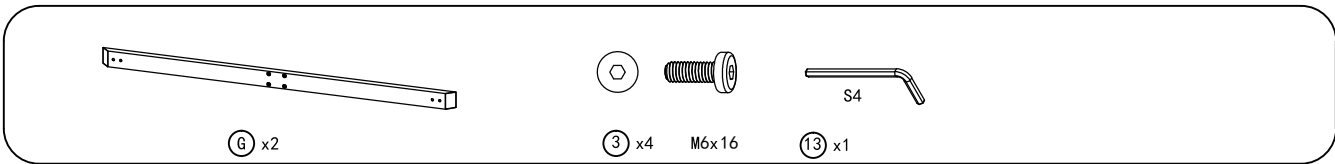
	 1 x8 M5x10	 2 x2 M5x30	 3 x86 M8x16	 4 x2 M6x20
	 5 x8 M6x30	 6 x2 M6x35	 7 x22 M6x45	
	 8 x4 M6x75		 9 x1 M6x80	
	 10 x9	 11 x11	 12 x11	 13 x1 S4
	 14 x1	 15 x1 8-10	 Z1 x2 Wheel	 Z2 x6 Wheel
	 L x2 Chaise Lounge Seat		 M x2 Chaise Lounge Back	
	 N x2 Hidden Cup Holder			
	 O x2 Small Canopy Support Frame	 P x4 Base Plate	 Q x4 Bed Frame Connector	 R x1 Bed Frame Center Support Leg
	 S x2 Cushion			
	 T1 x2 Curtain		 T2 x2 Curtain	
	 U x1 Retractable Canopy		 V x1 Small Canopy	 W x1 Strap
		 X x20 Curtain Ring	 Y x4 Plastic Washer D20/D7XH2	
				
2				

STEP 1

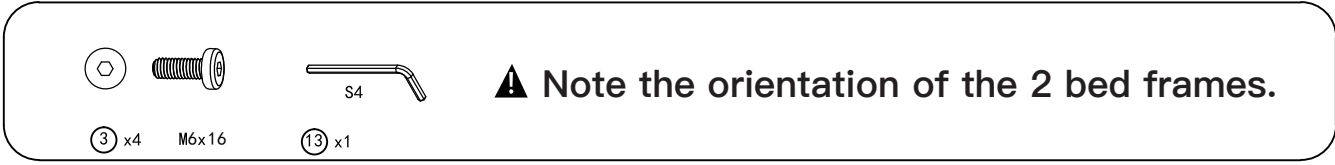
Install the bed frame.



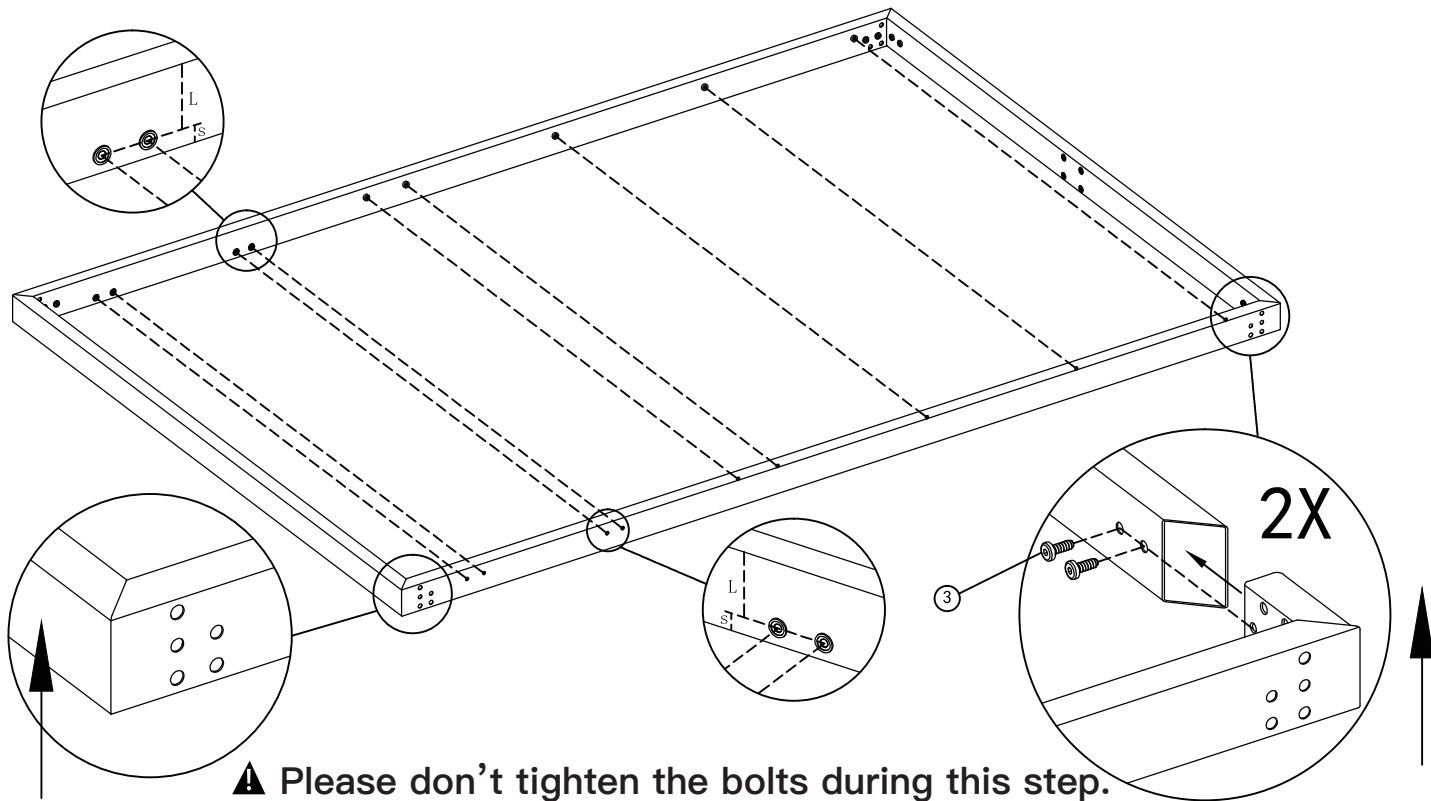




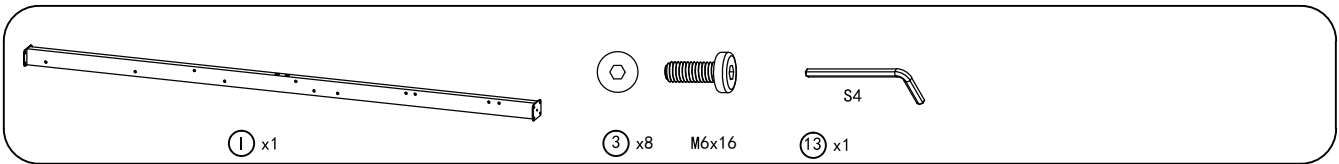
▲ Please don't tighten the bolts during this step.



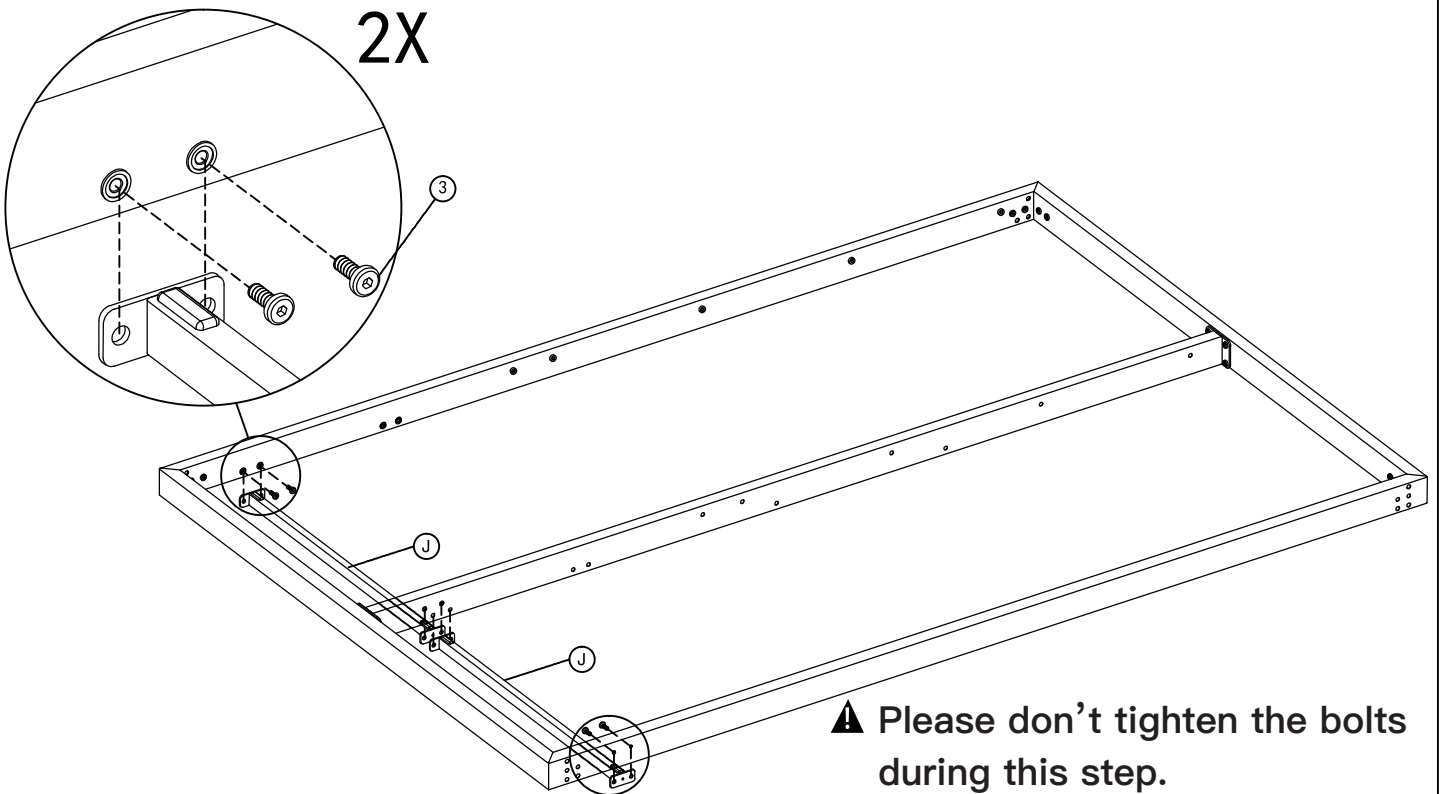
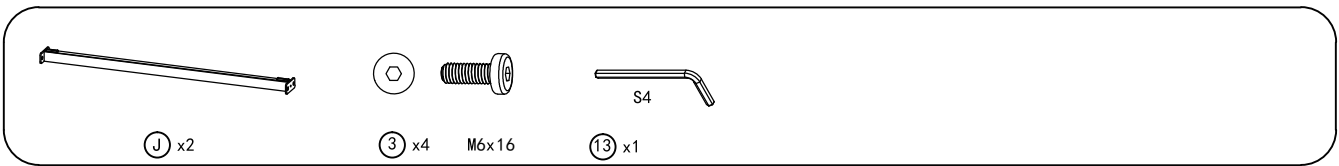
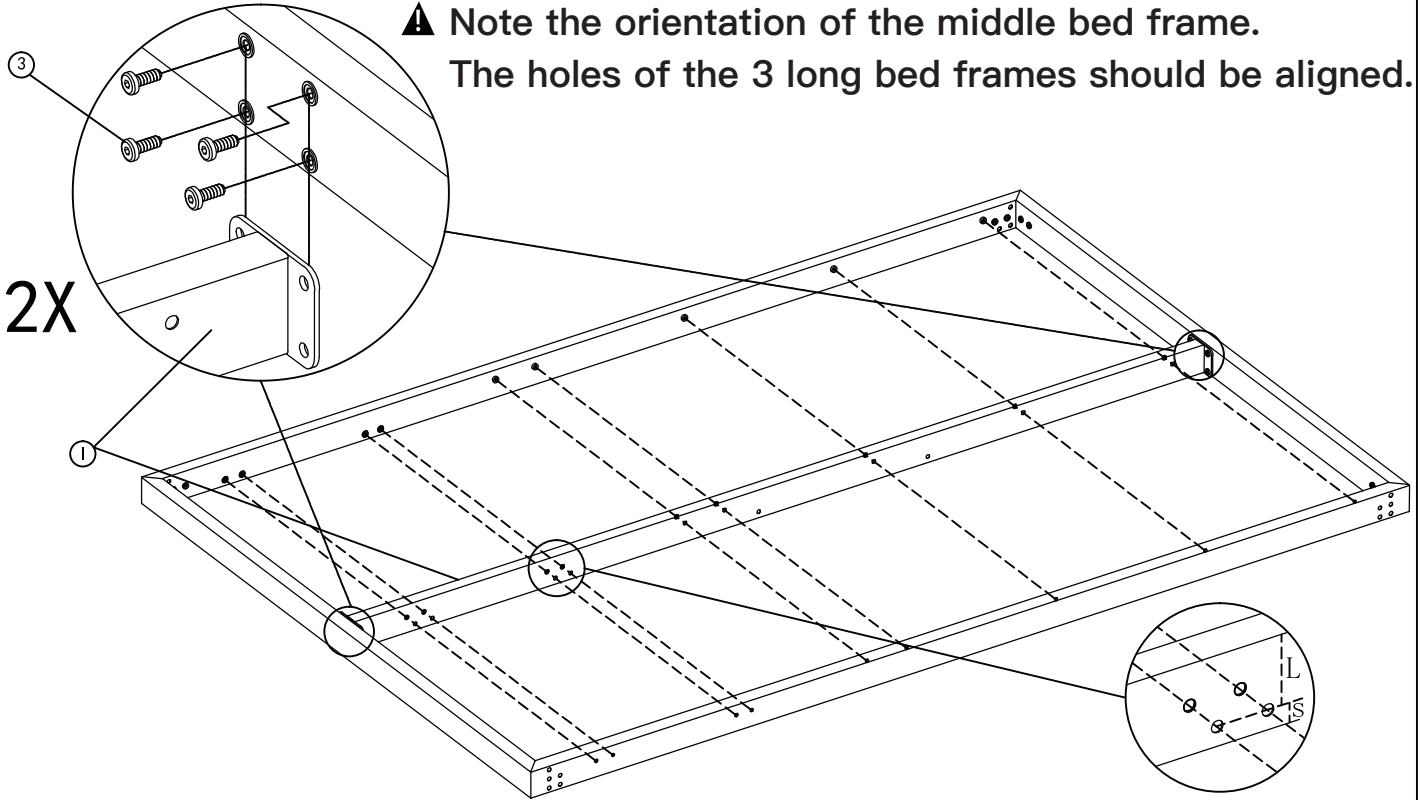
▲ Note the orientation of the 2 bed frames.

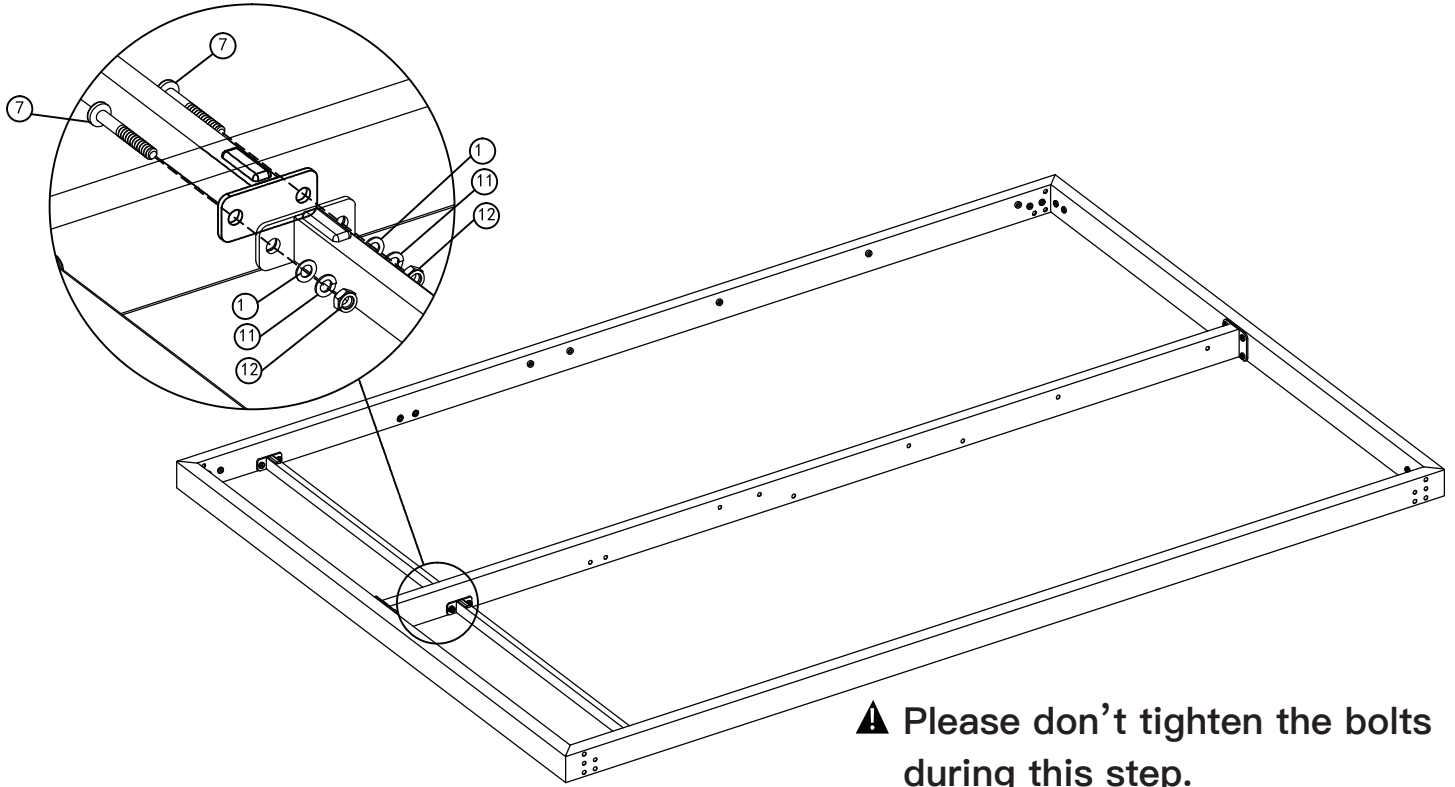
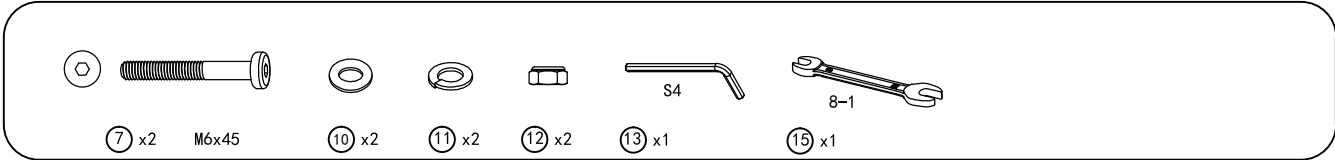


▲ Please don't tighten the bolts during this step.

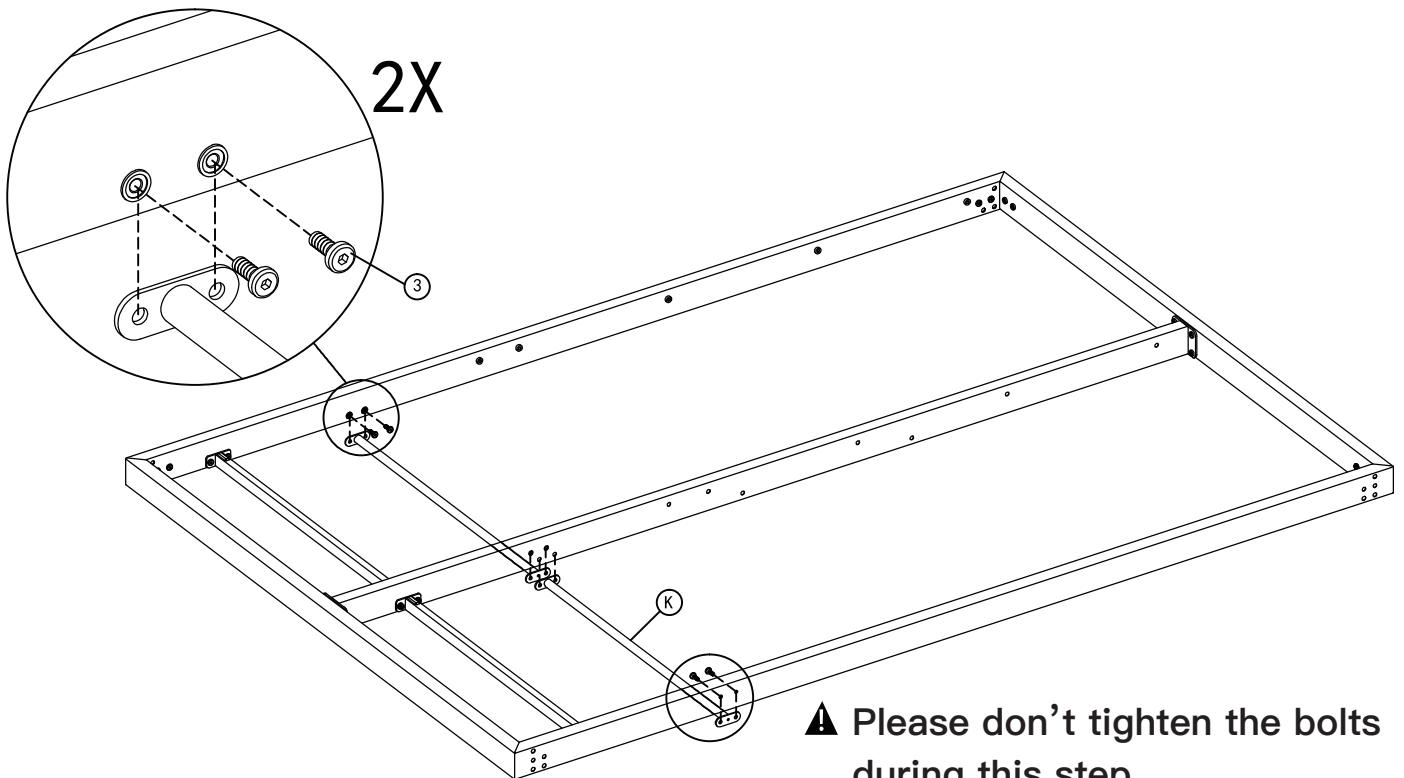
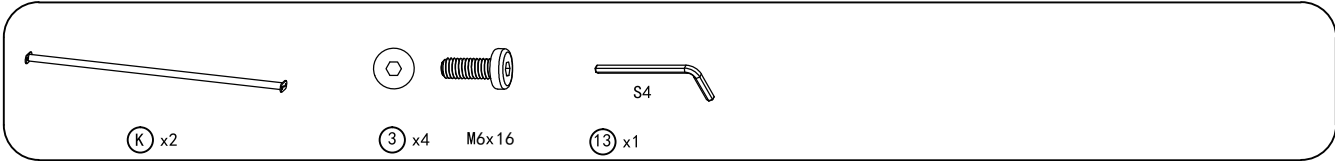


▲ Note the orientation of the middle bed frame. The holes of the 3 long bed frames should be aligned.

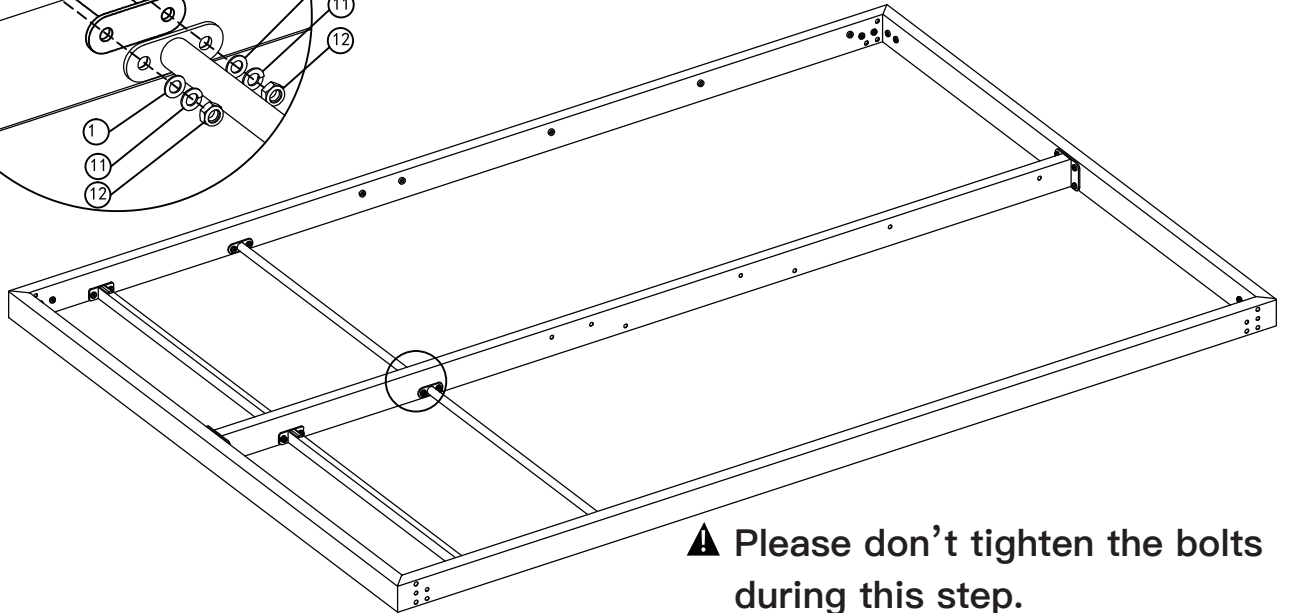
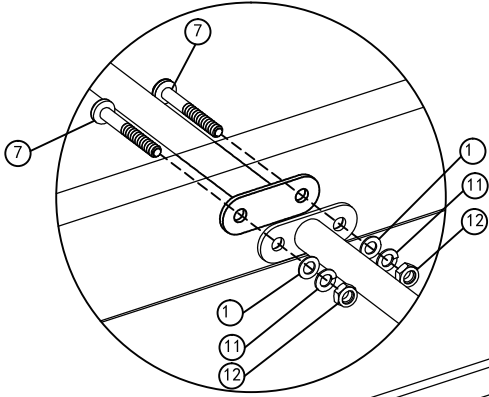
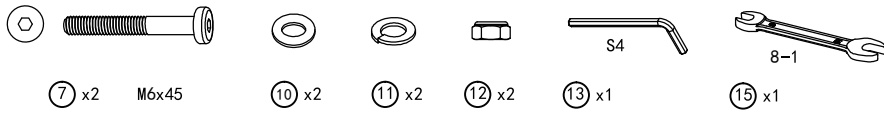




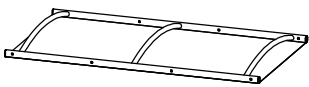
⚠ Please don't tighten the bolts during this step.



⚠ Please don't tighten the bolts during this step.



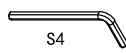
▲ Please don't tighten the bolts during this step.



L x2

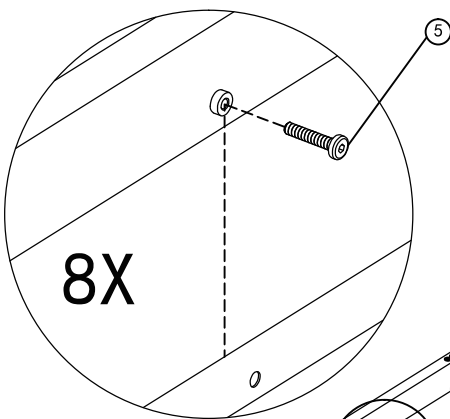


5 x8 M6x30

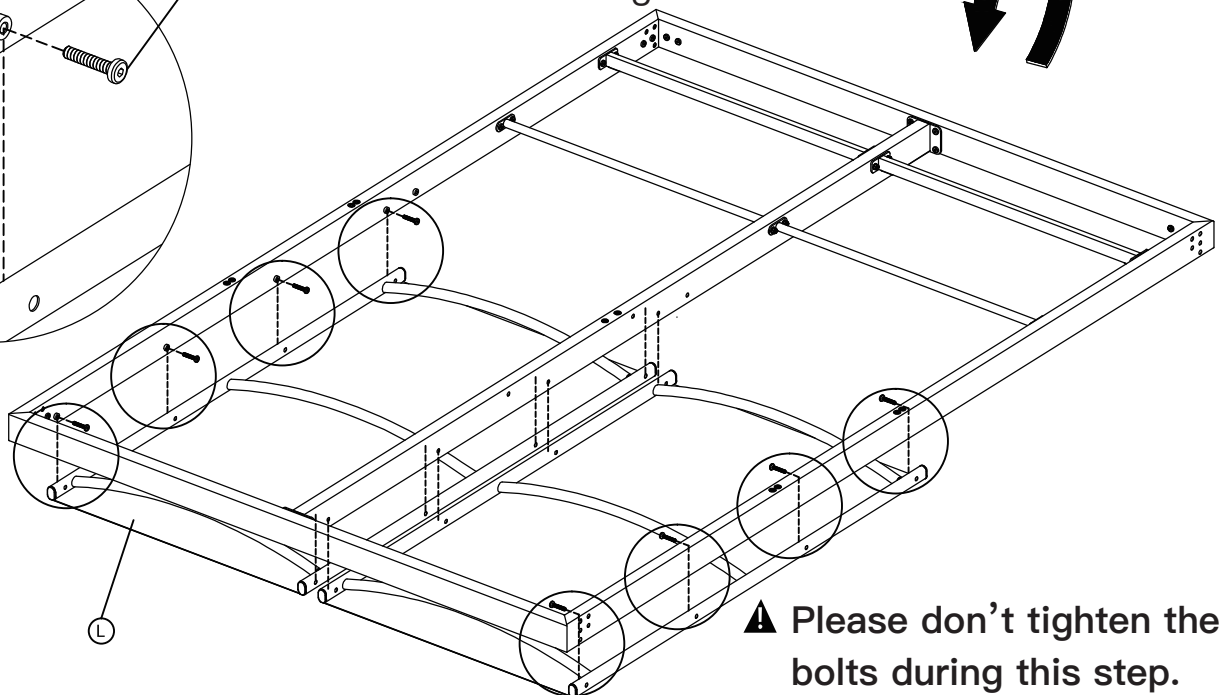


13 x1

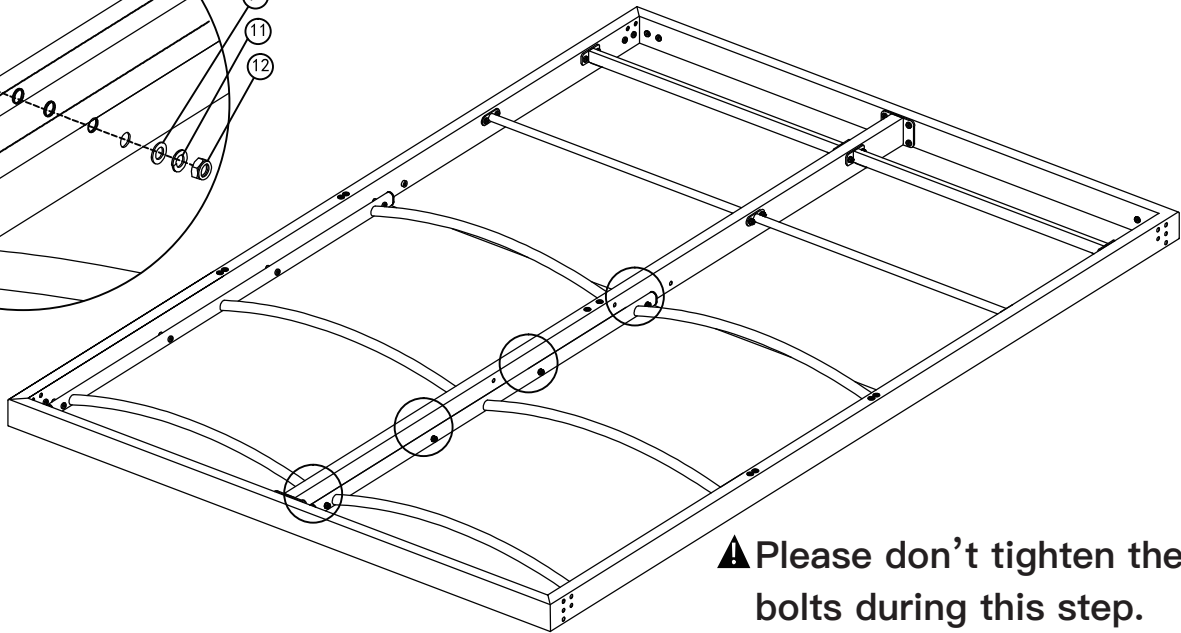
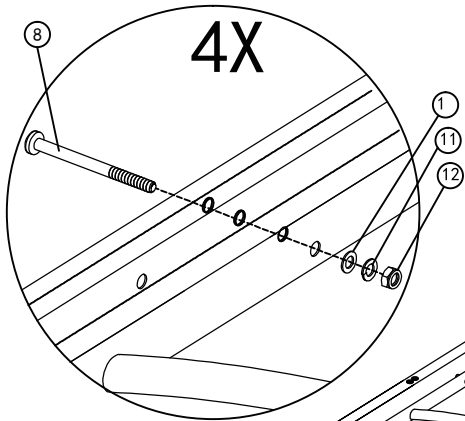
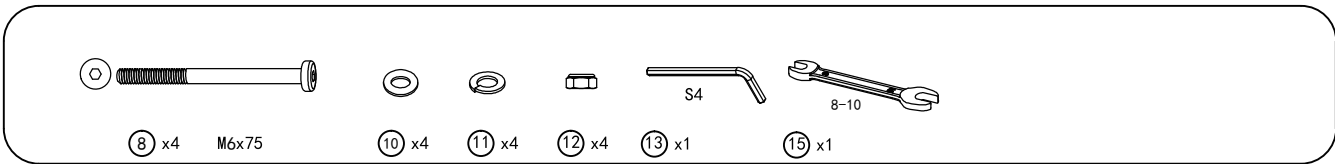
Turn the bed frame over to install the chaise lounge seat.



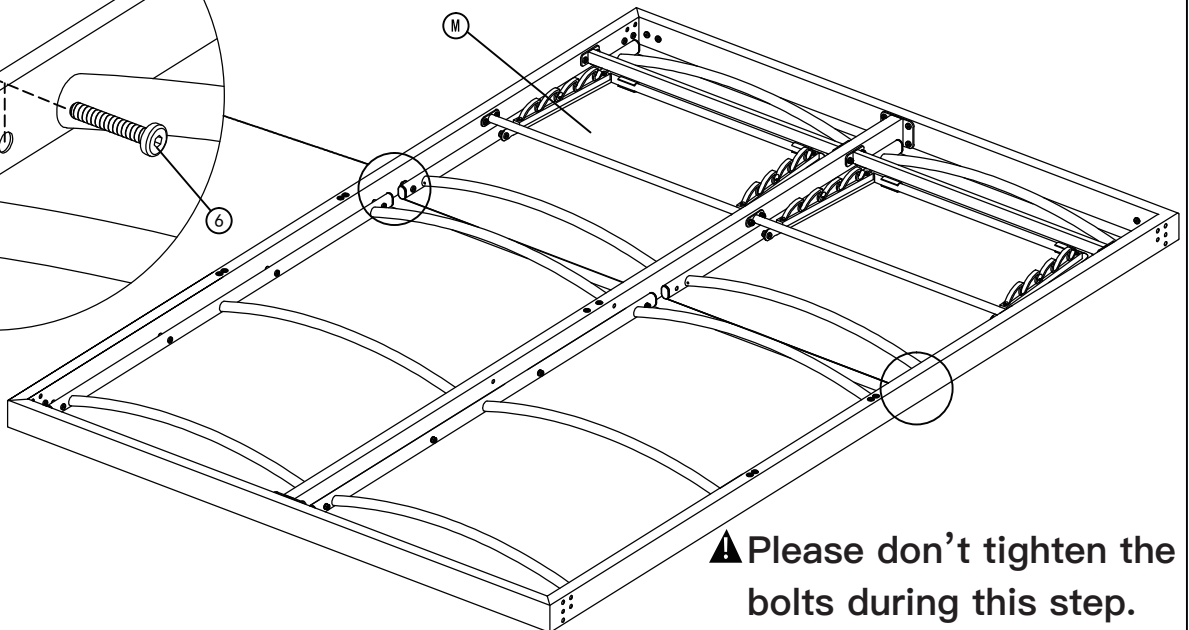
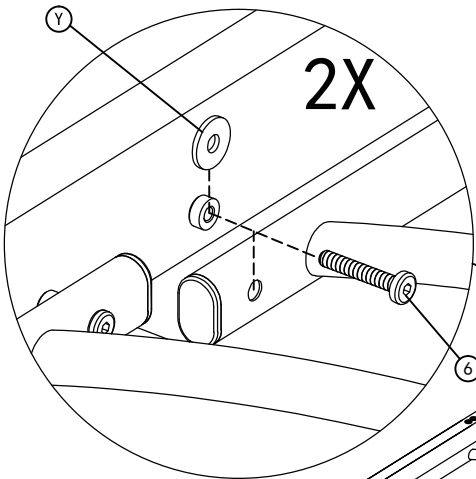
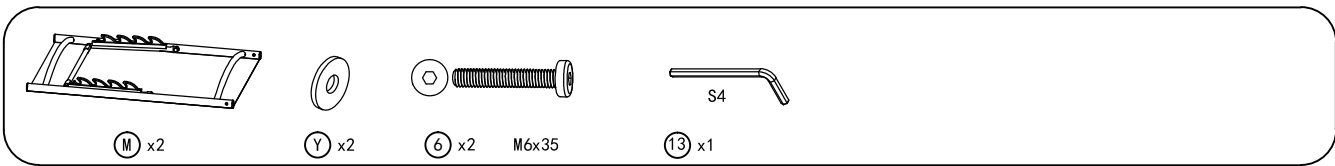
8X



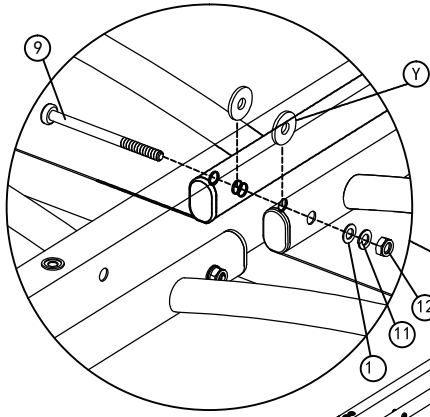
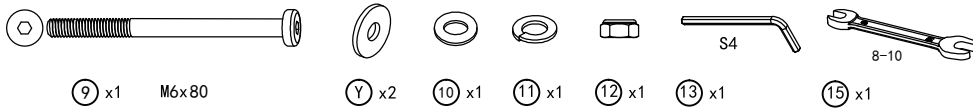
▲ Please don't tighten the bolts during this step.



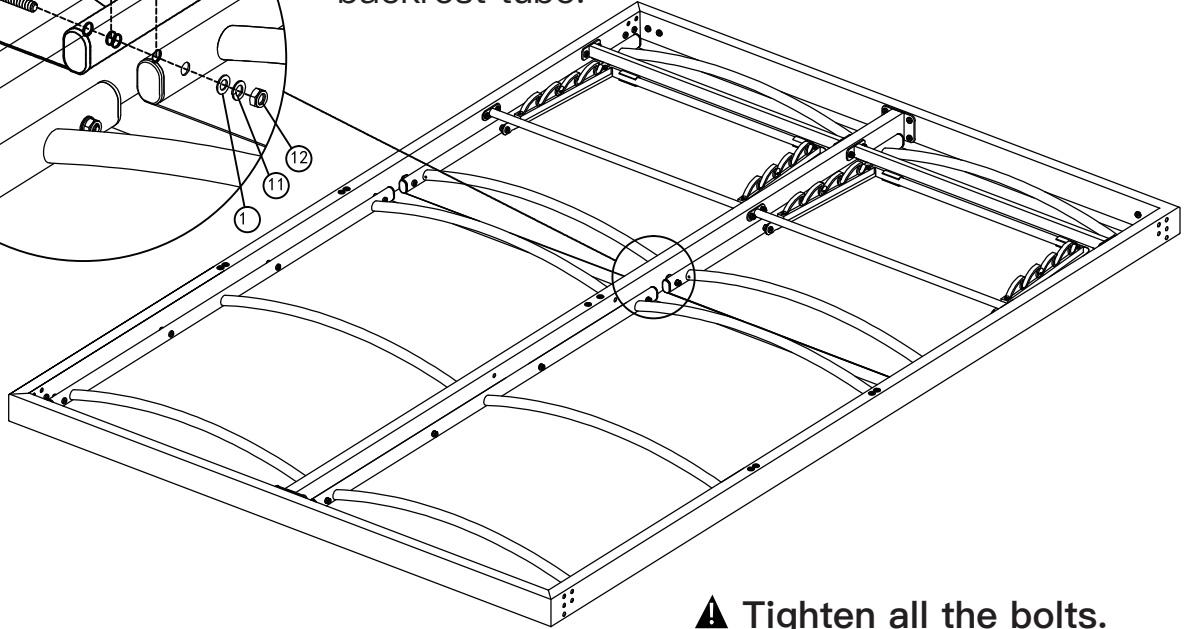
⚠ Please don't tighten the bolts during this step.



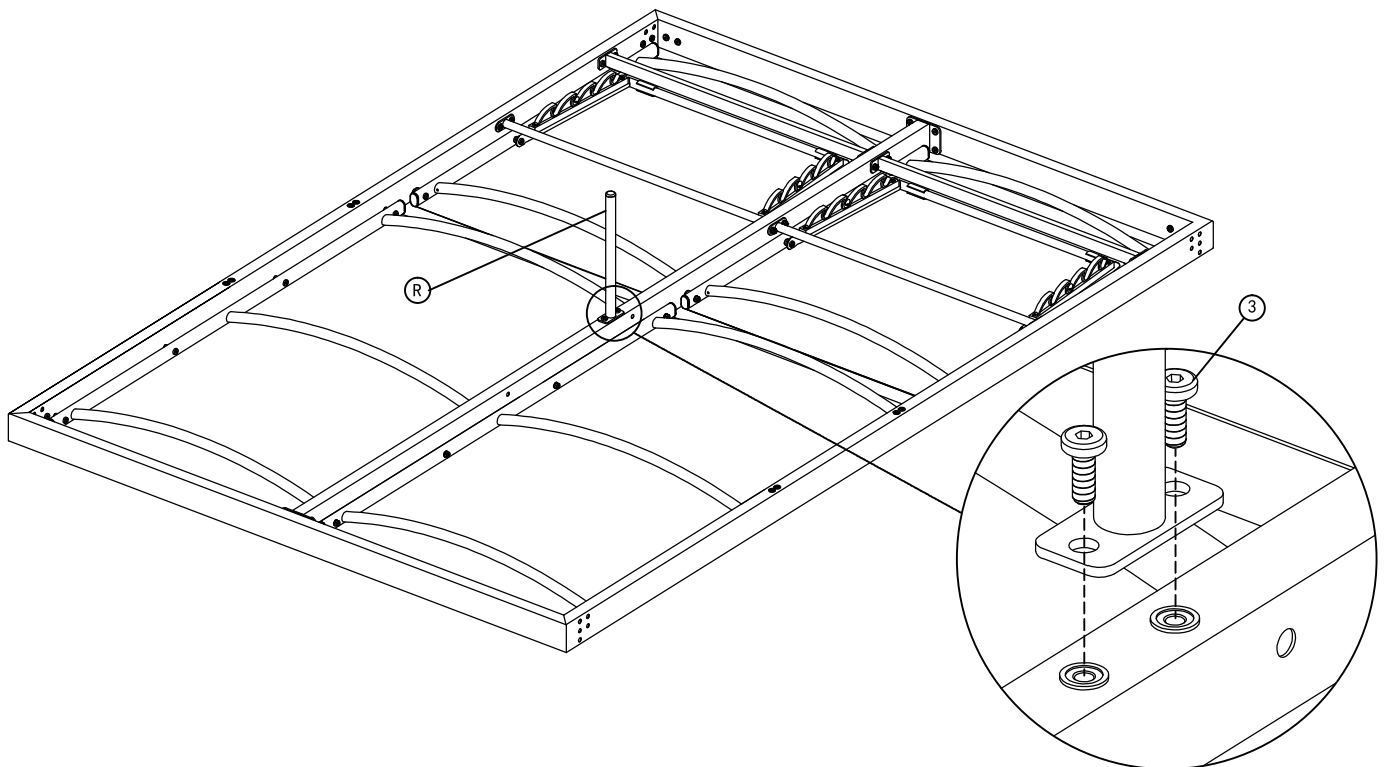
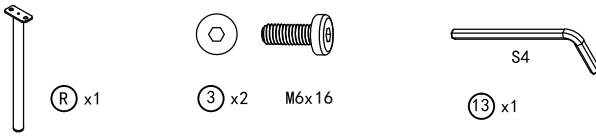
⚠ Please don't tighten the bolts during this step.

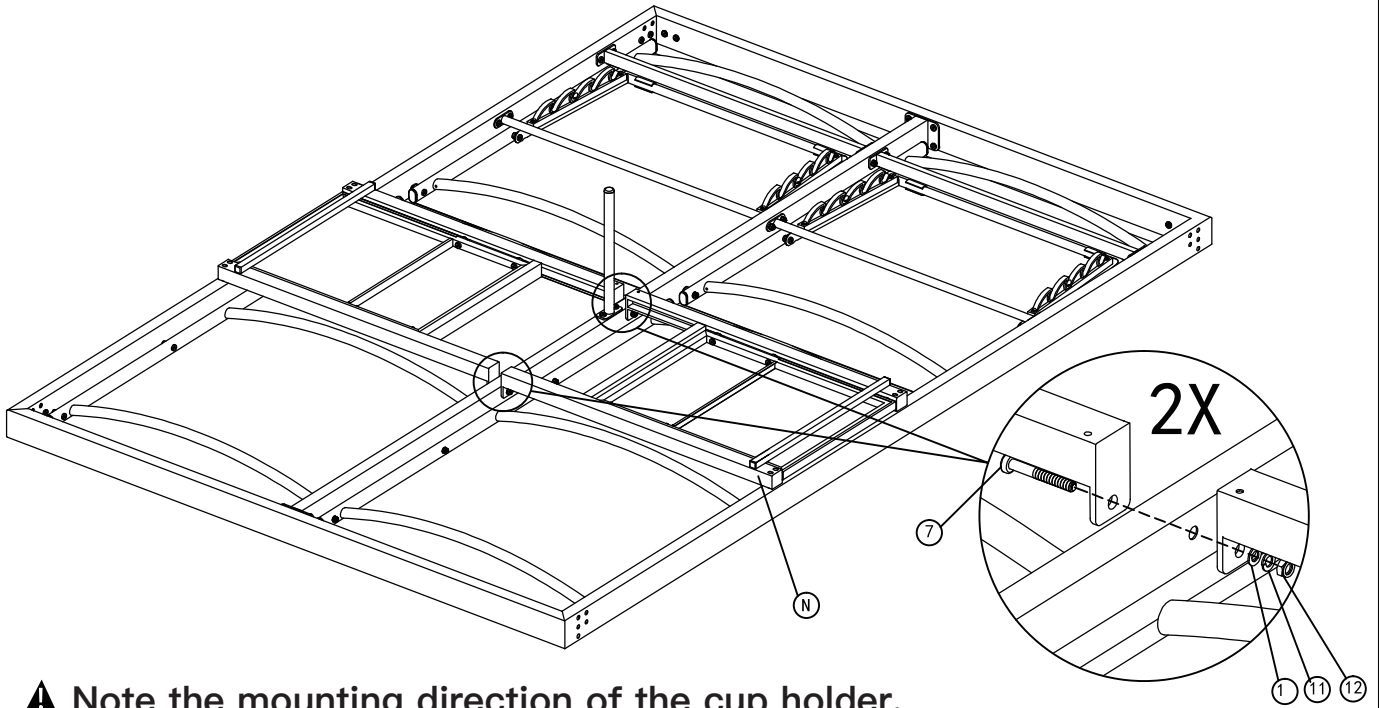
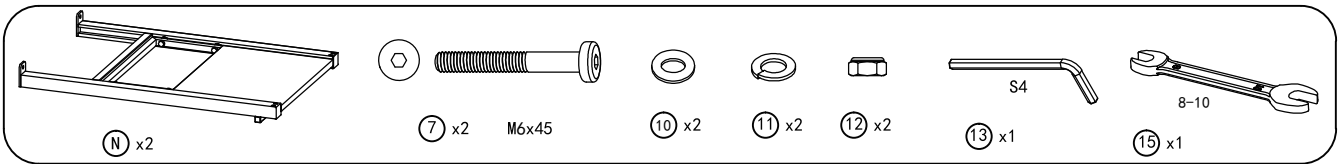


The plastic washer should be installed between the middle bed frame and chaise lounge backrest tube.

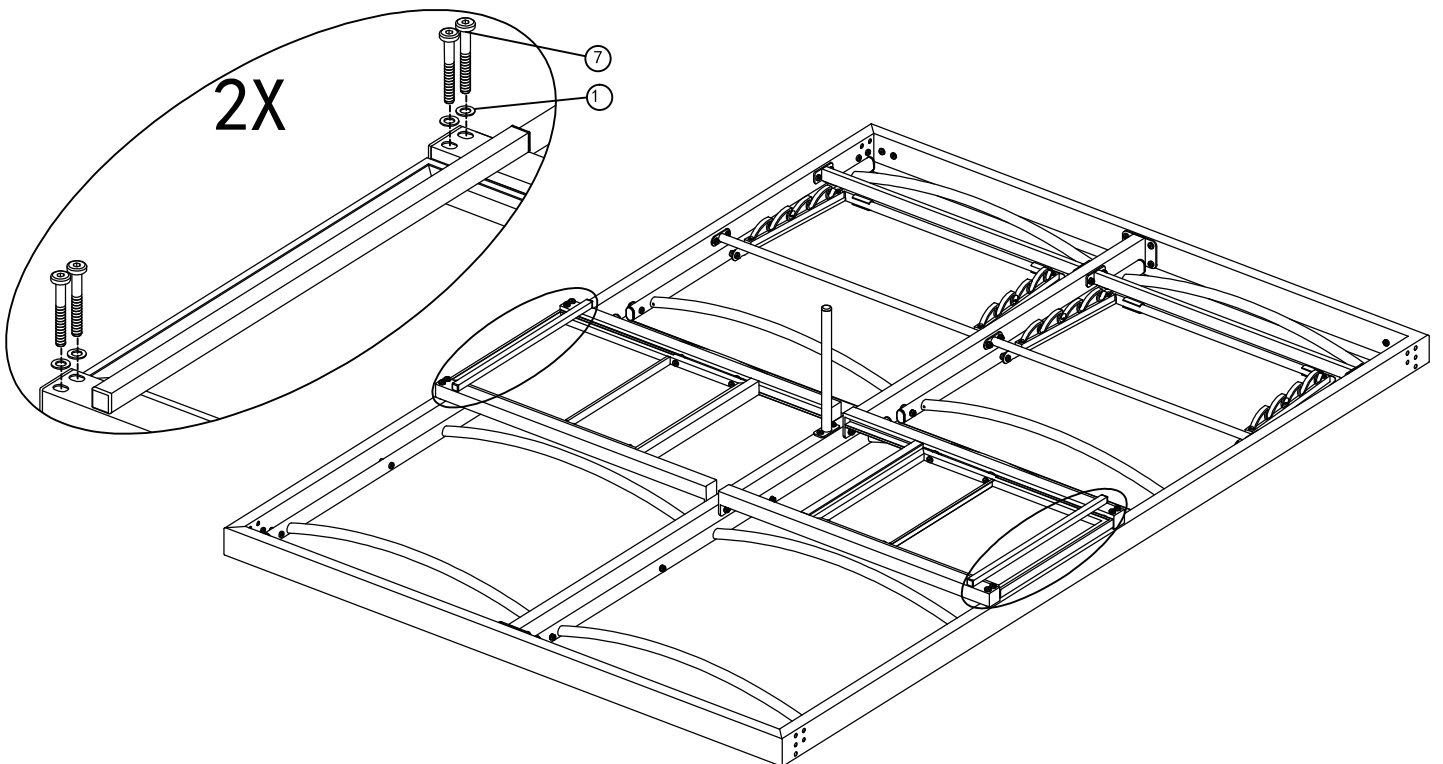
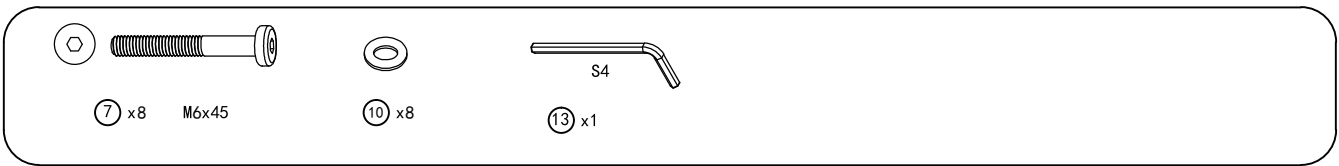


▲ Tighten all the bolts.



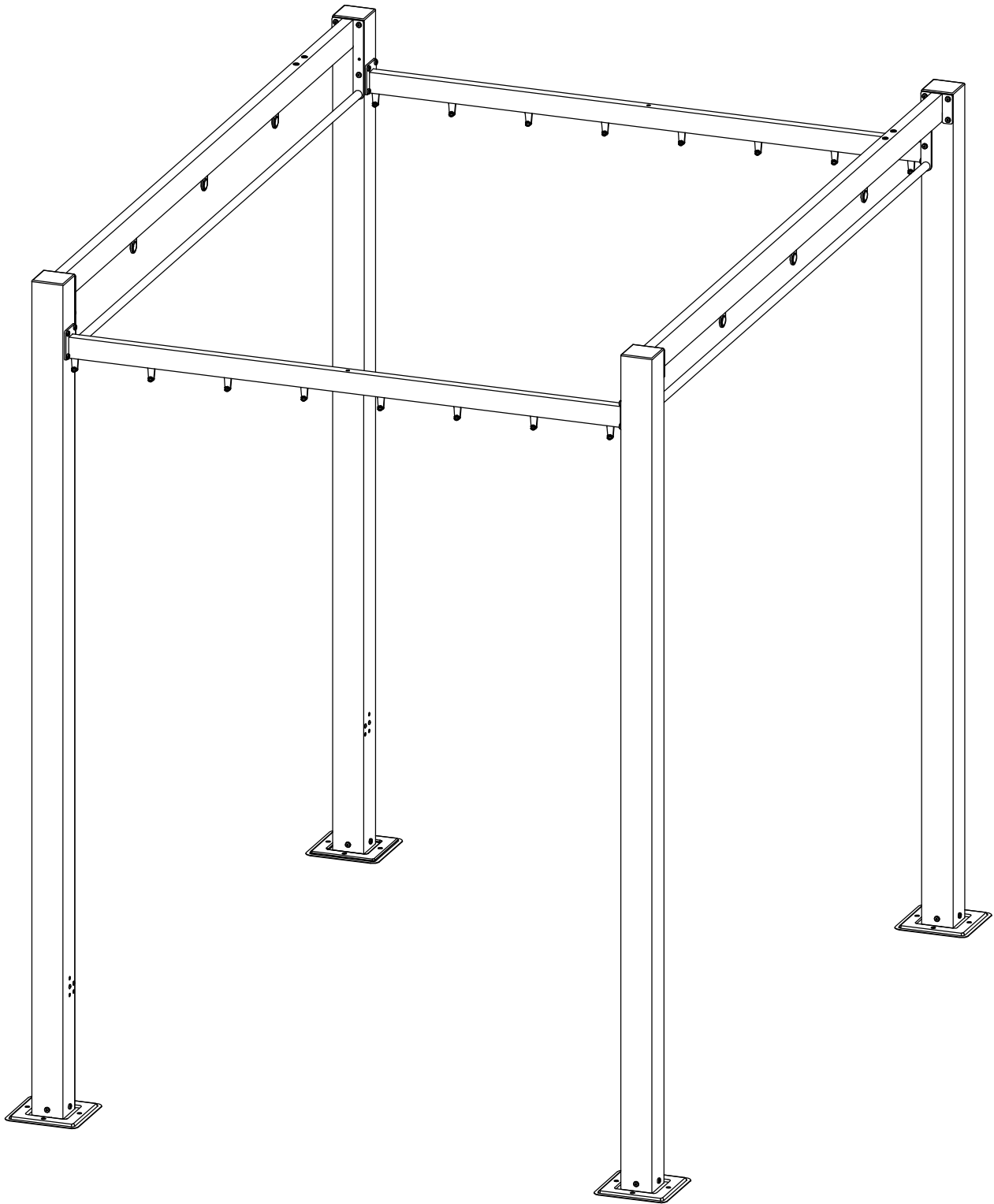


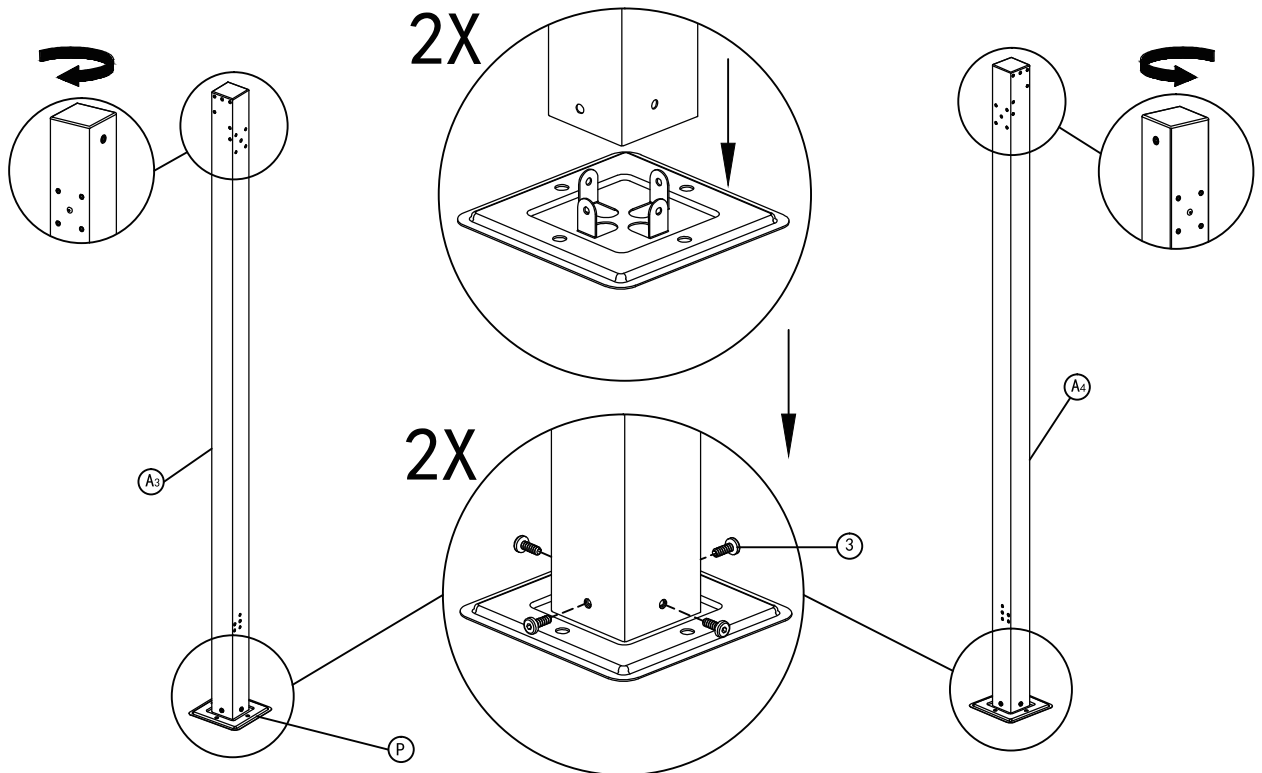
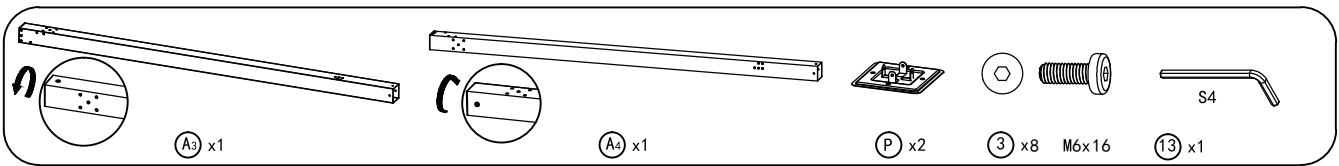
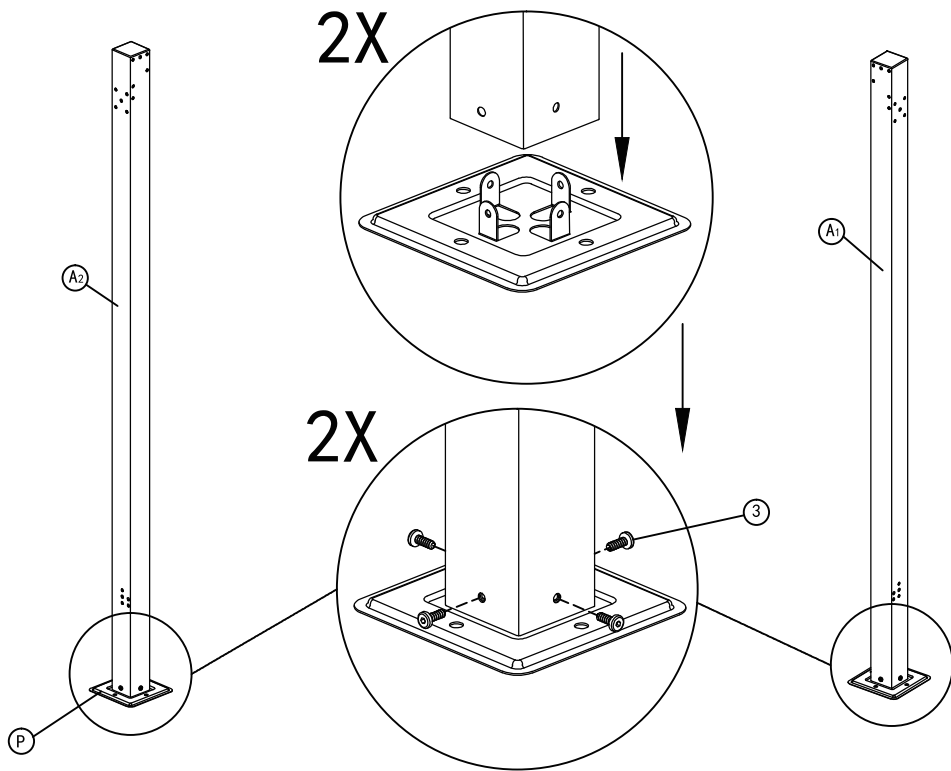
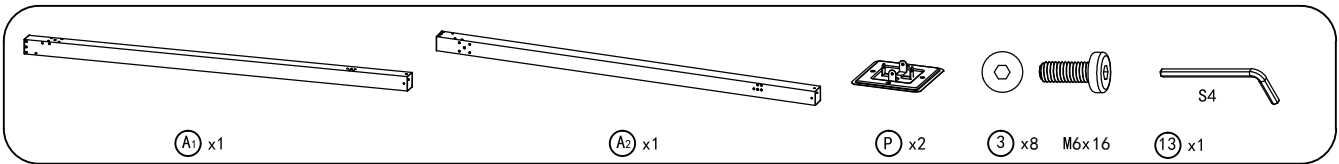
▲ Note the mounting direction of the cup holder.

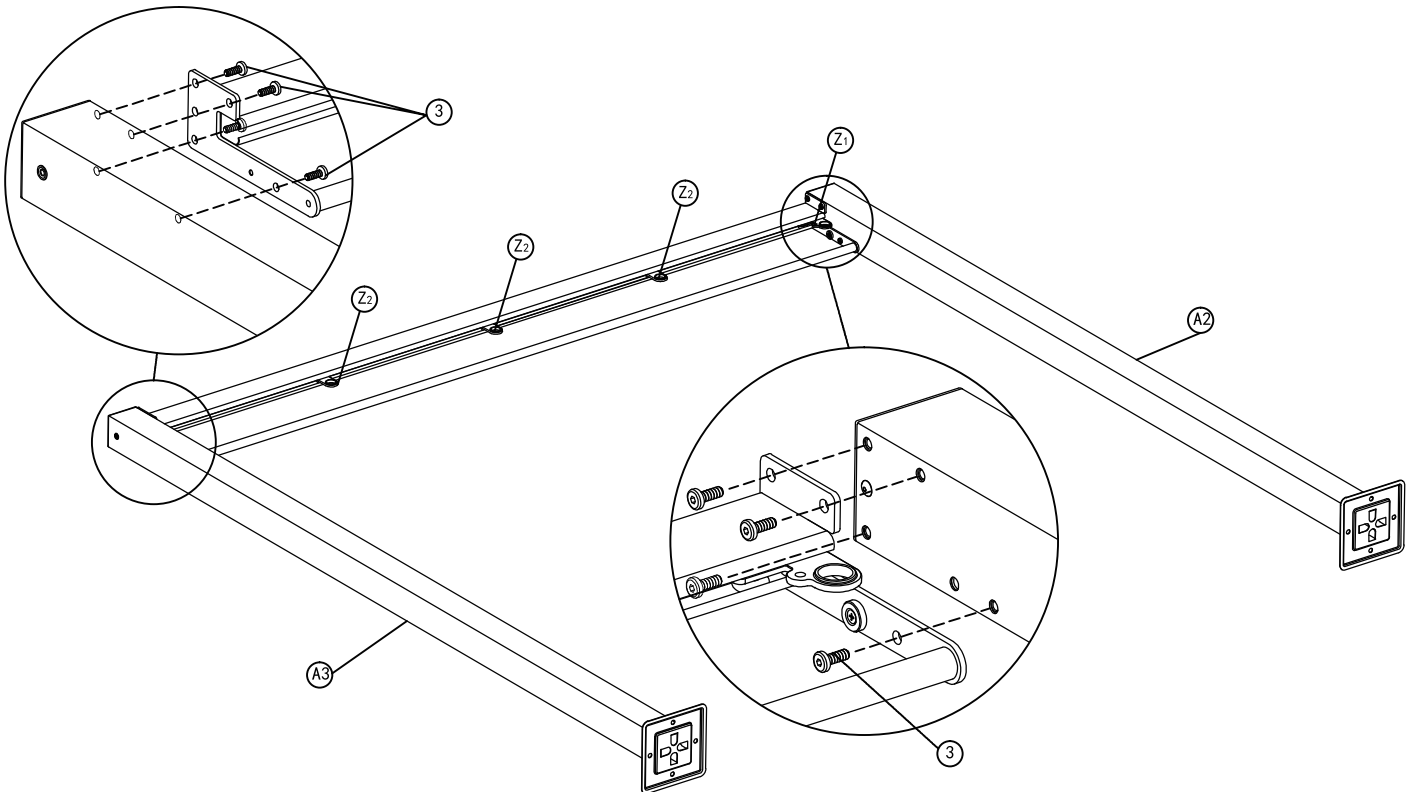
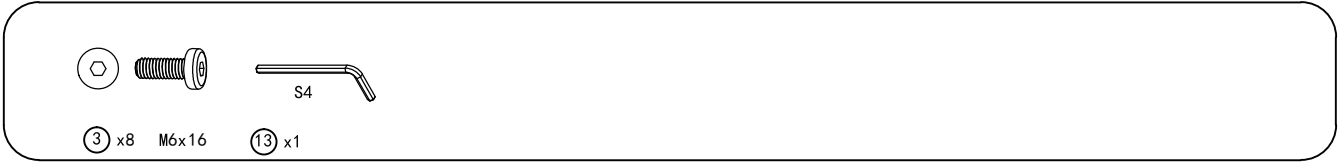
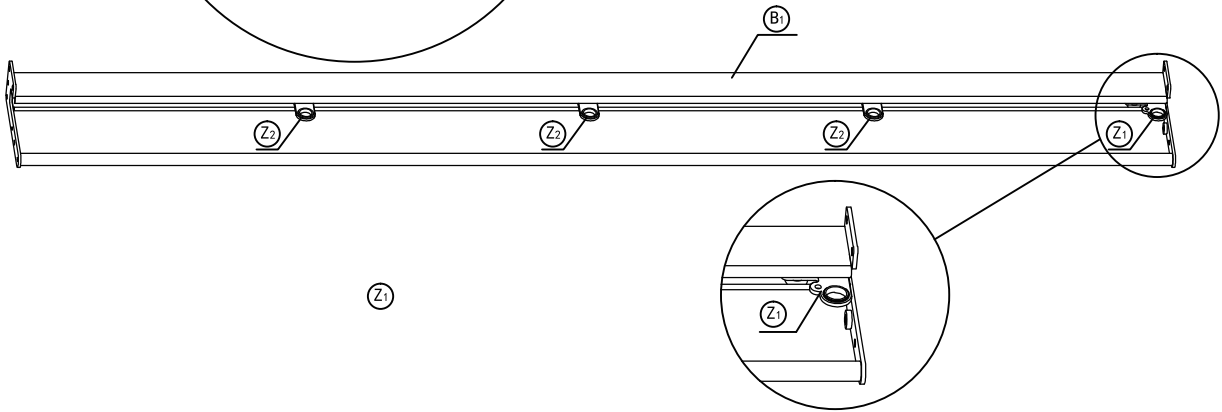
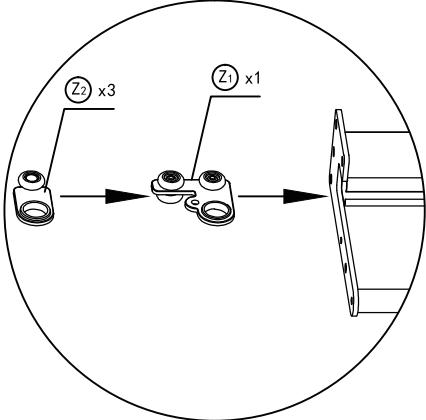
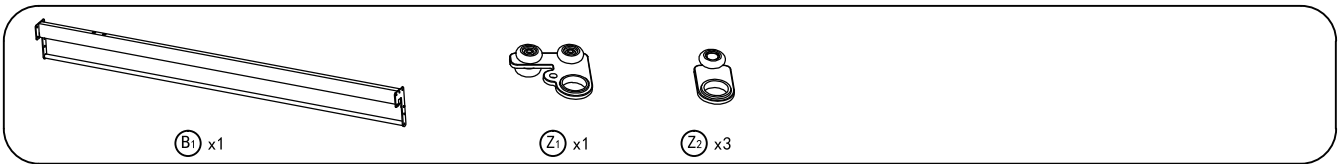


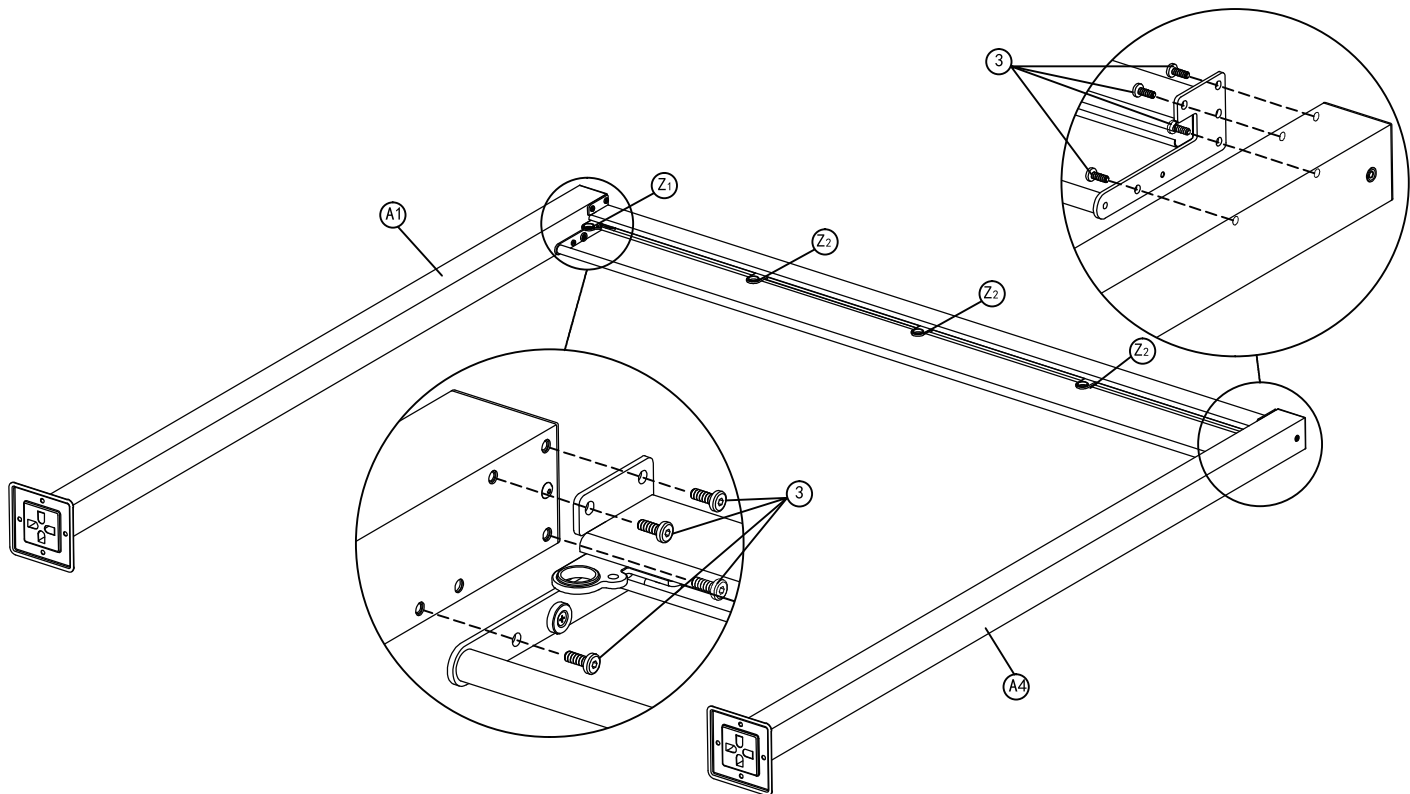
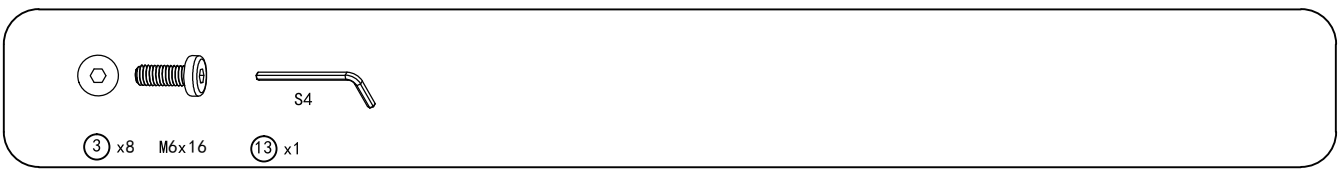
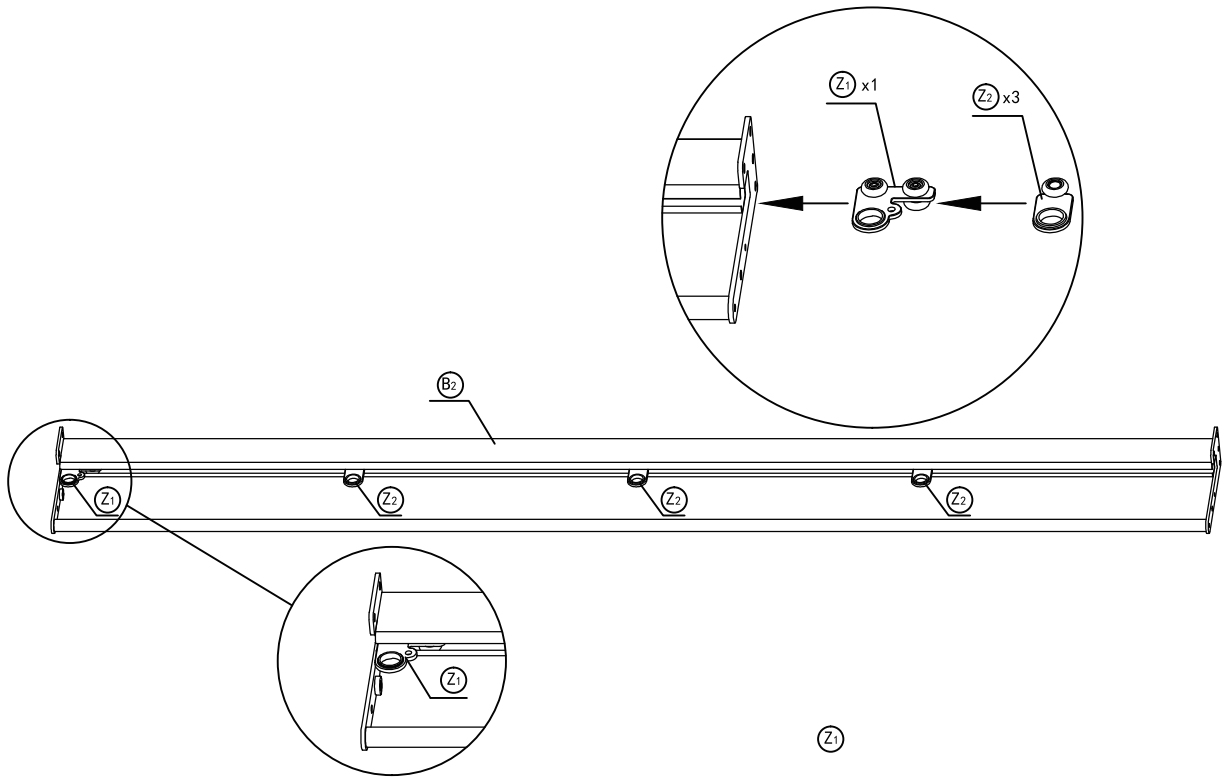
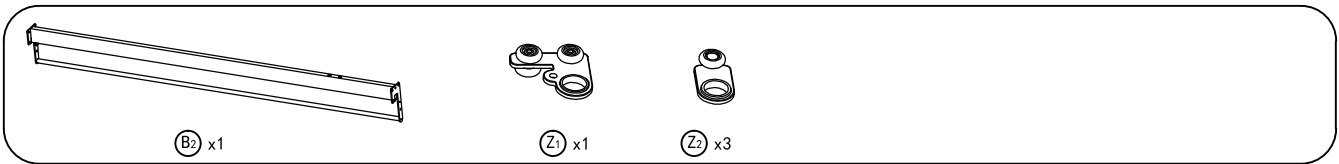
STEP 2

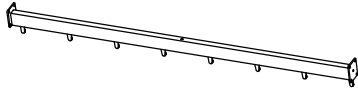
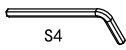
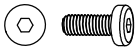
Install the post and beam.









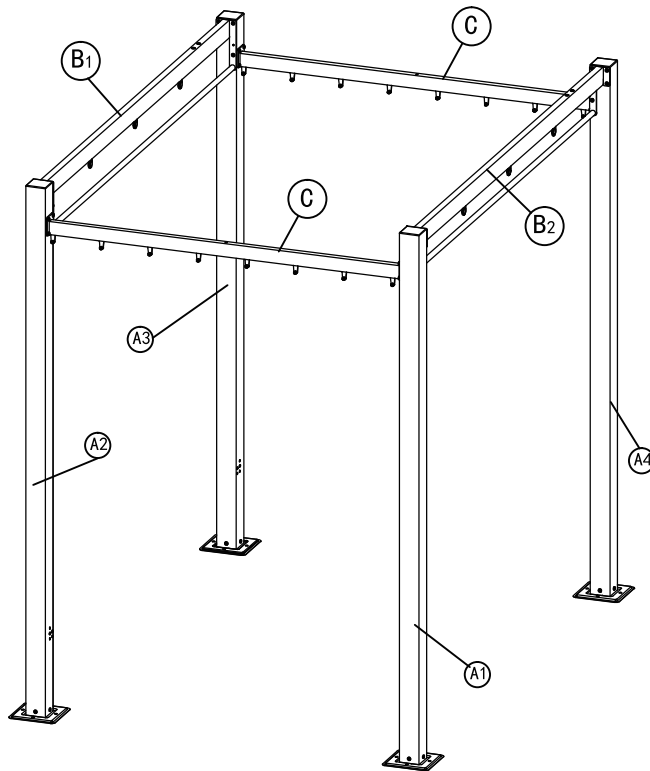
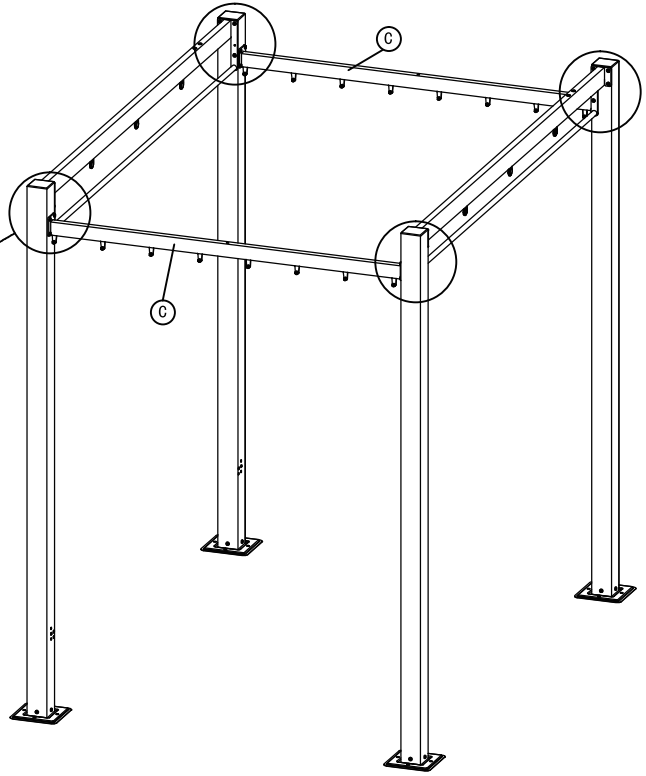
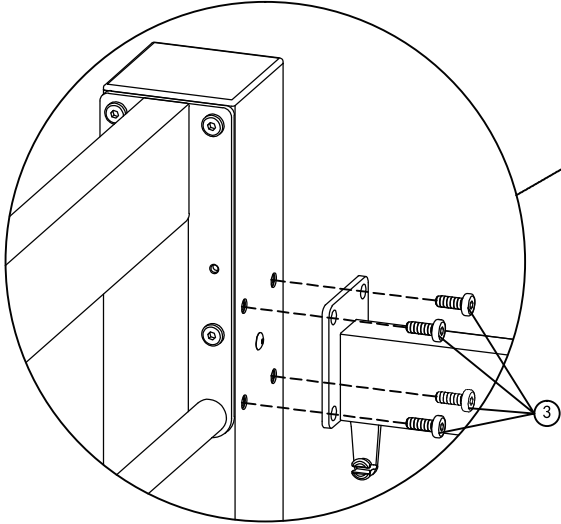


③ x16 M6x16

⑬ x1

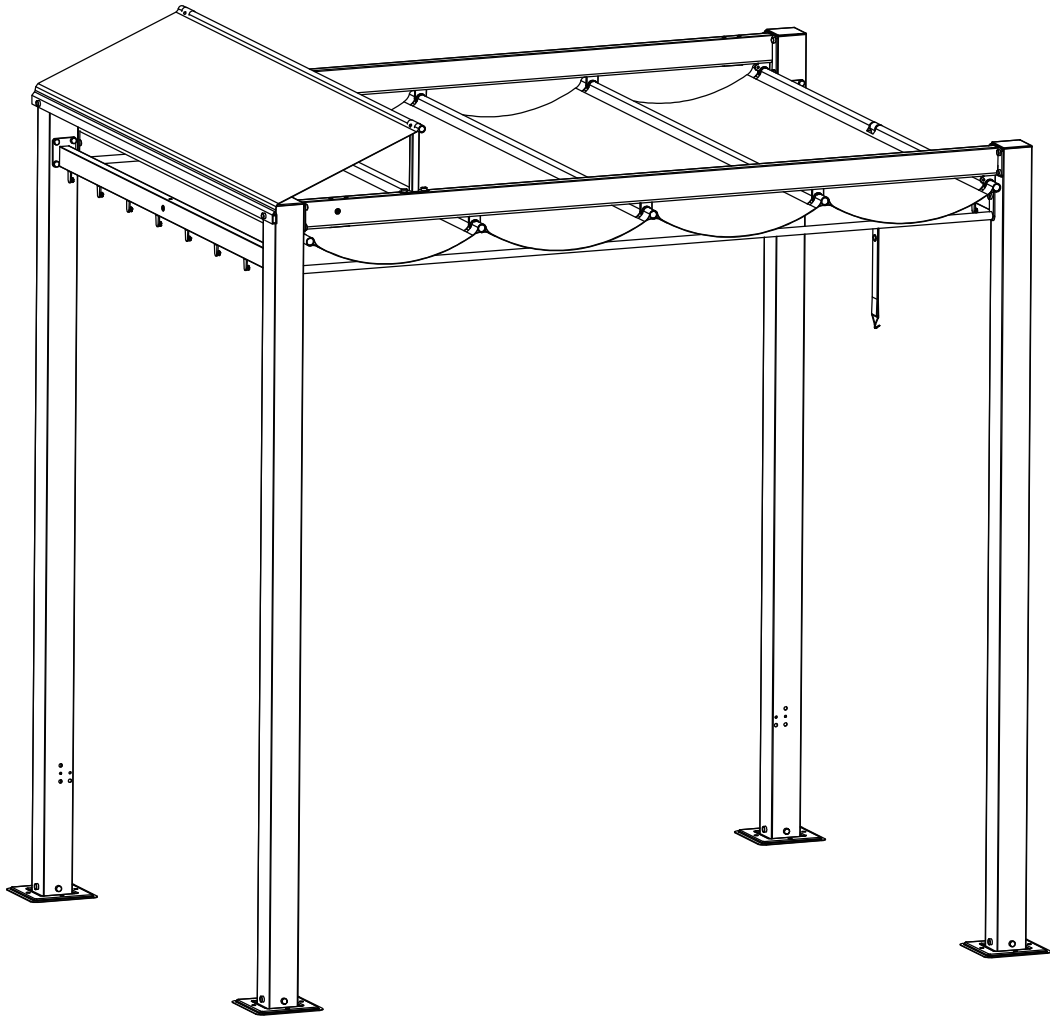
⑥ x2

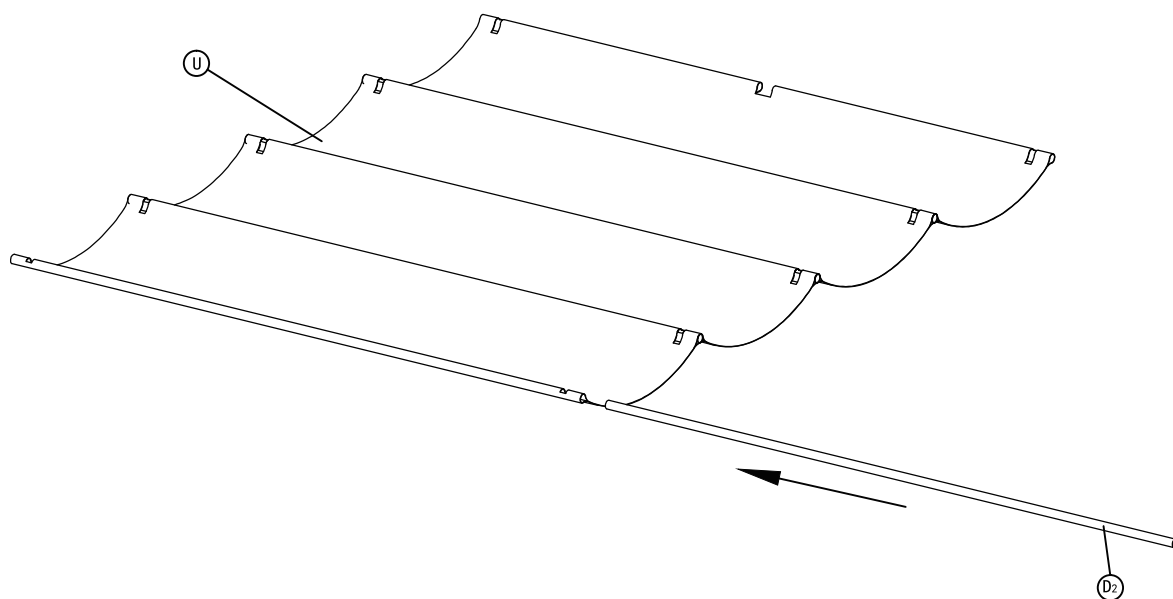
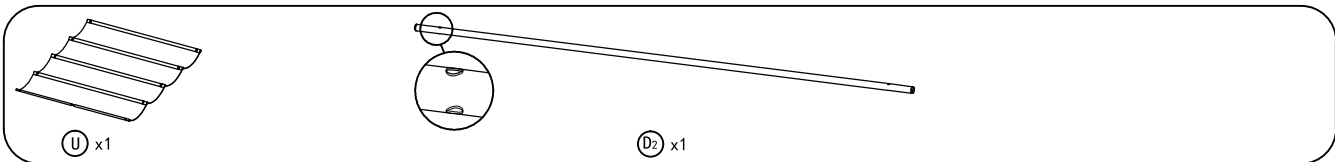
4X



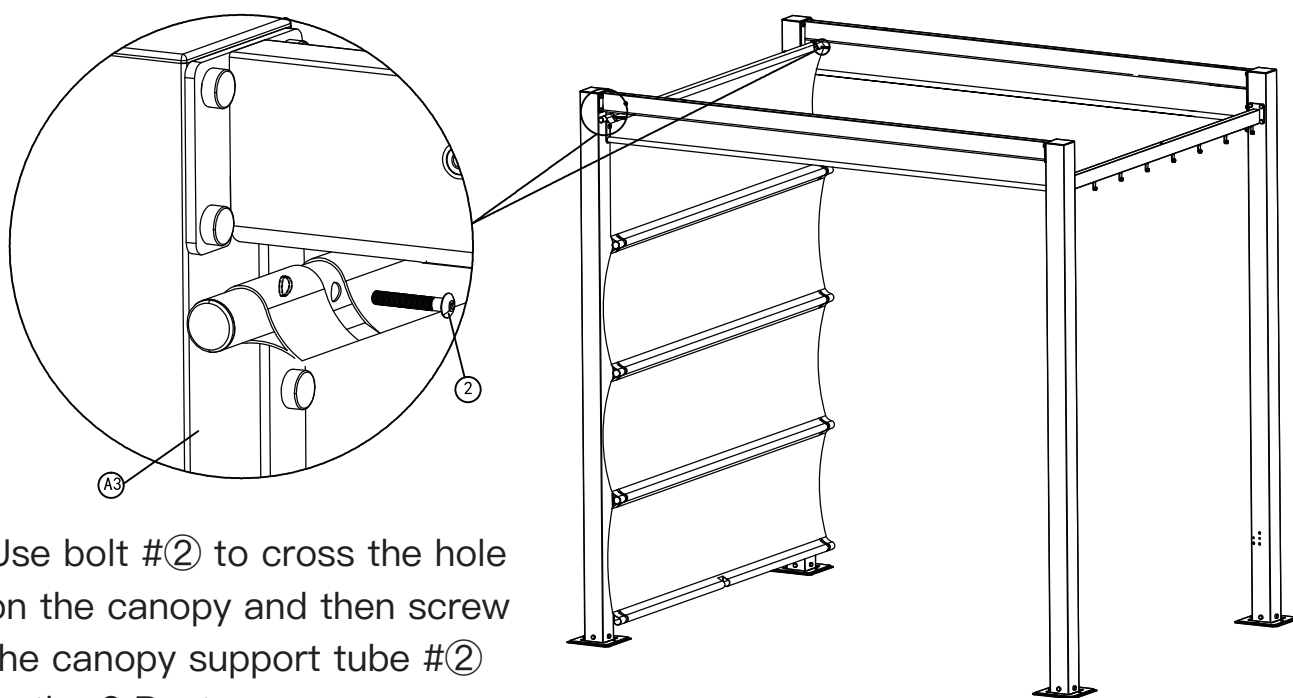
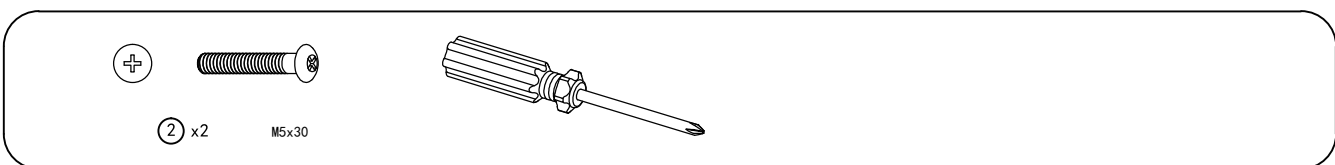
STEP 3

Install the Canopy.

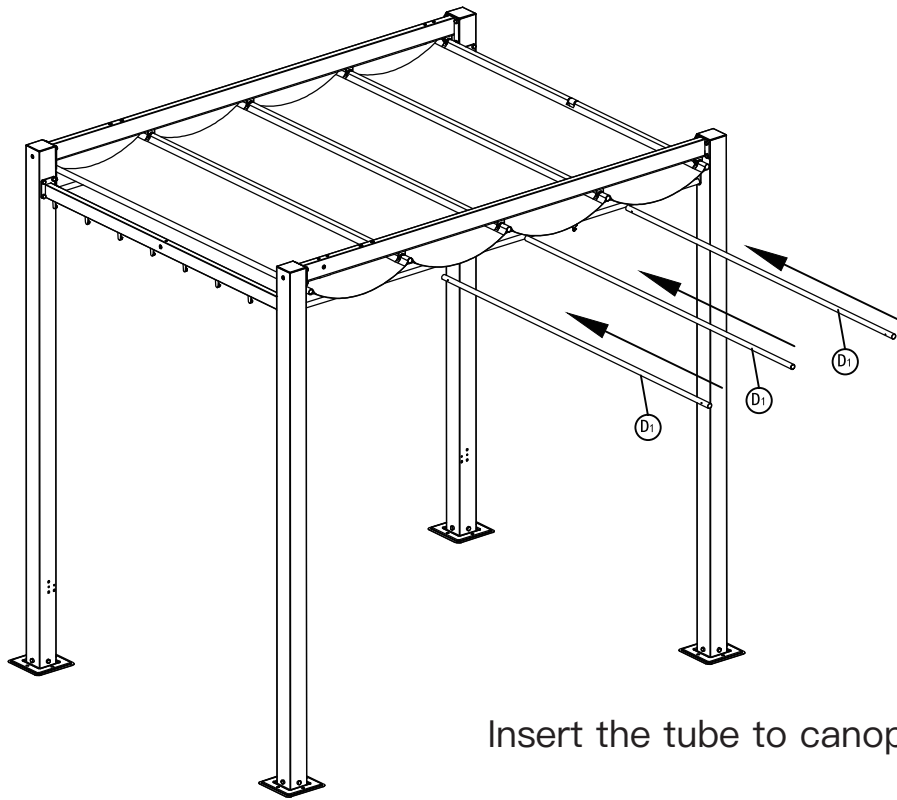




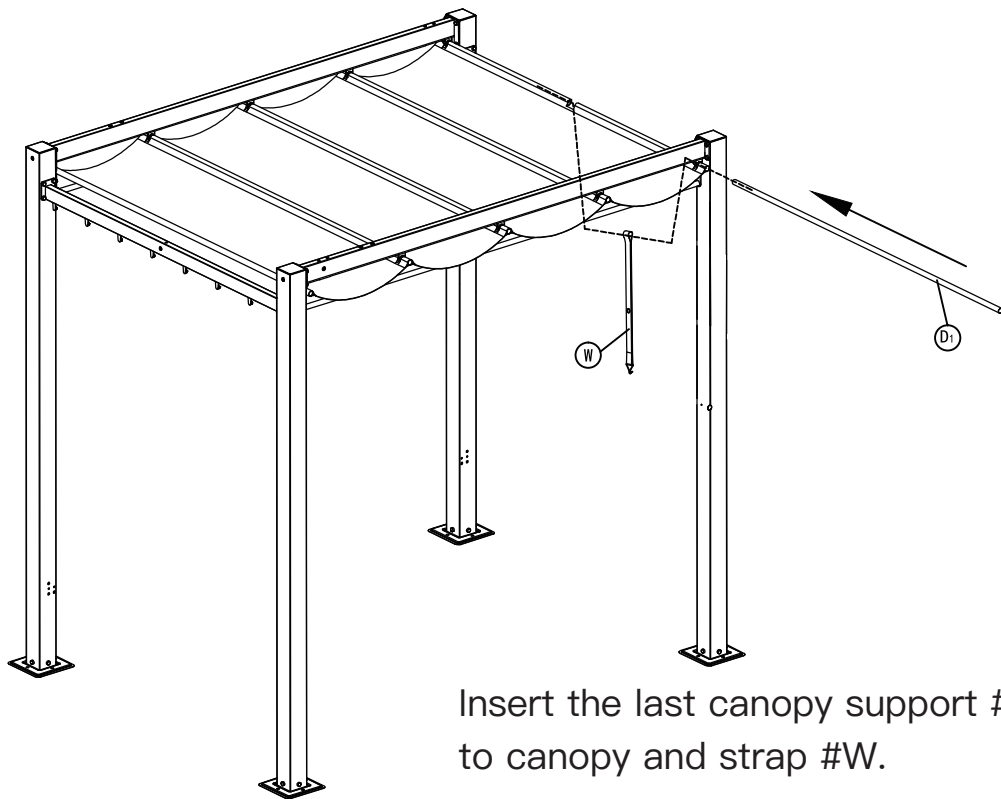
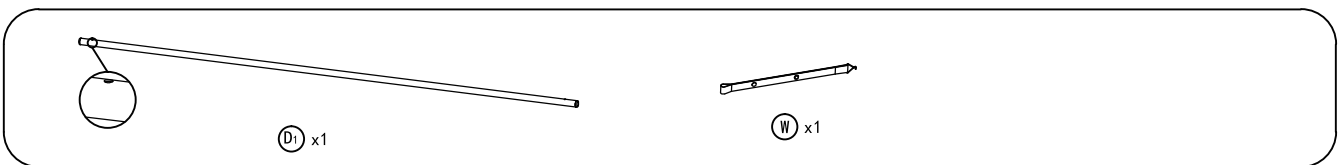
Insert the tube to canopy.



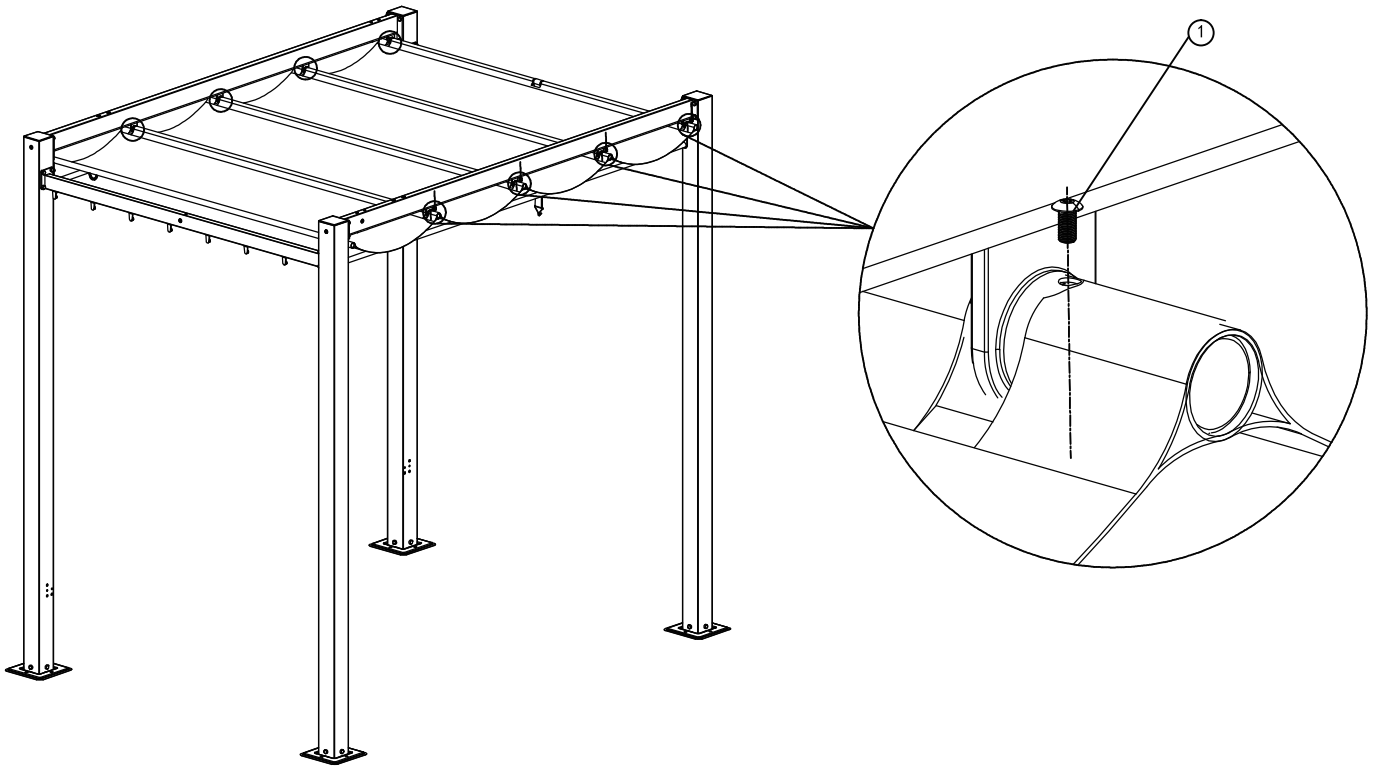
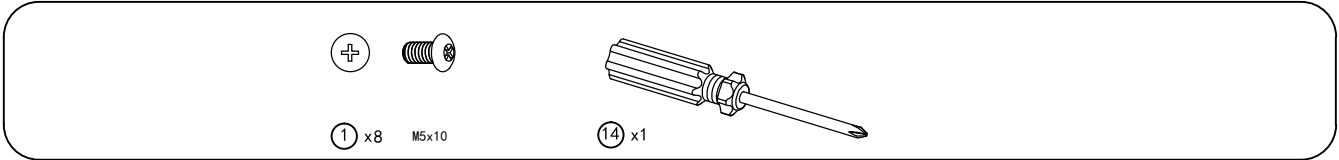
Use bolt #② to cross the hole on the canopy and then screw the canopy support tube #② to the 2 Posts.



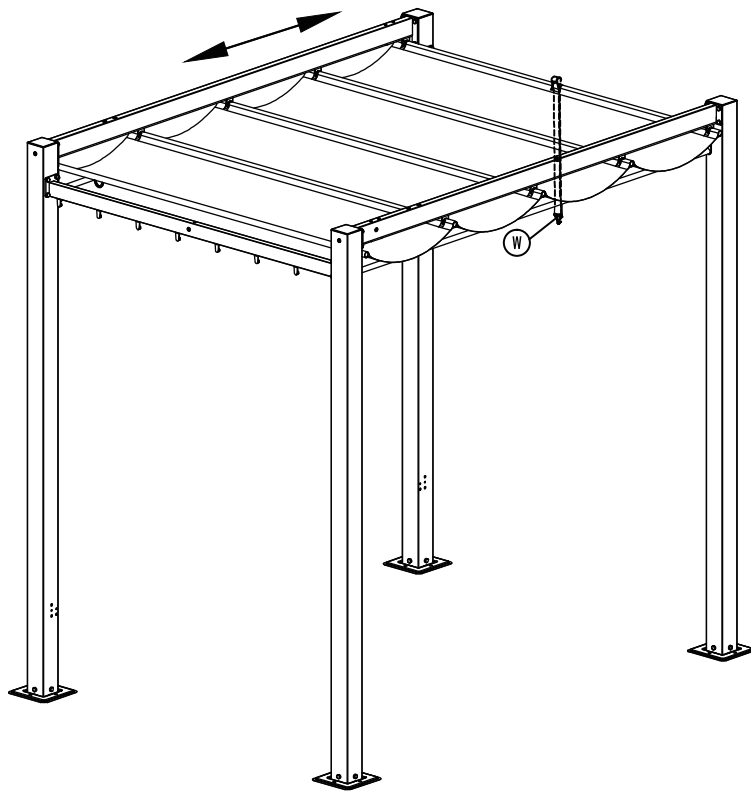
Insert the tube to canopy.

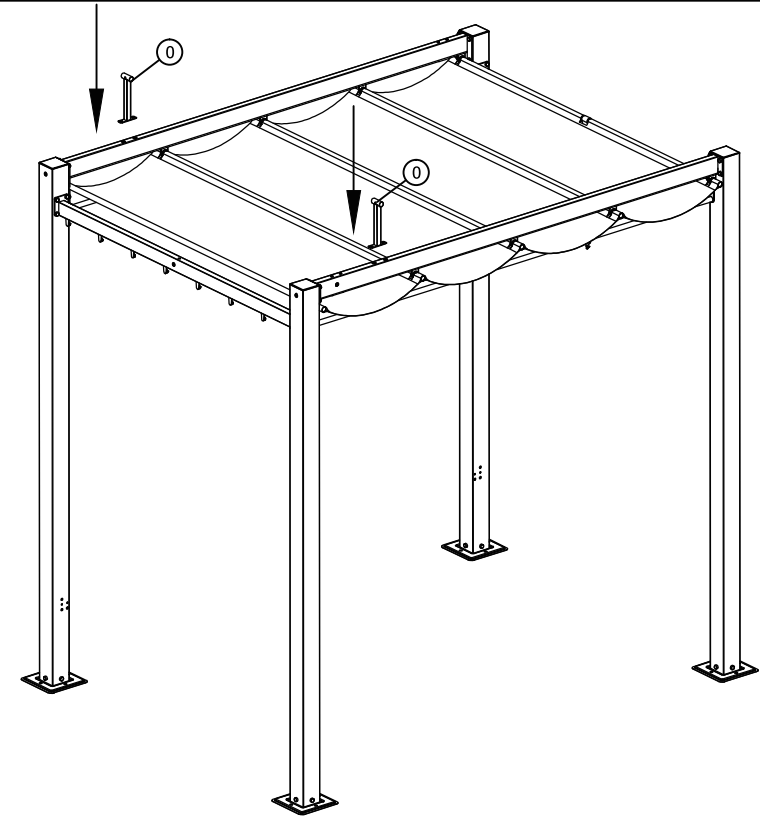
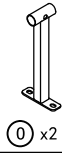


Insert the last canopy support #D1 to canopy and strap #W.



Use Strap #W to open and close the canopy.

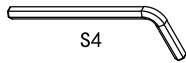




3 x4

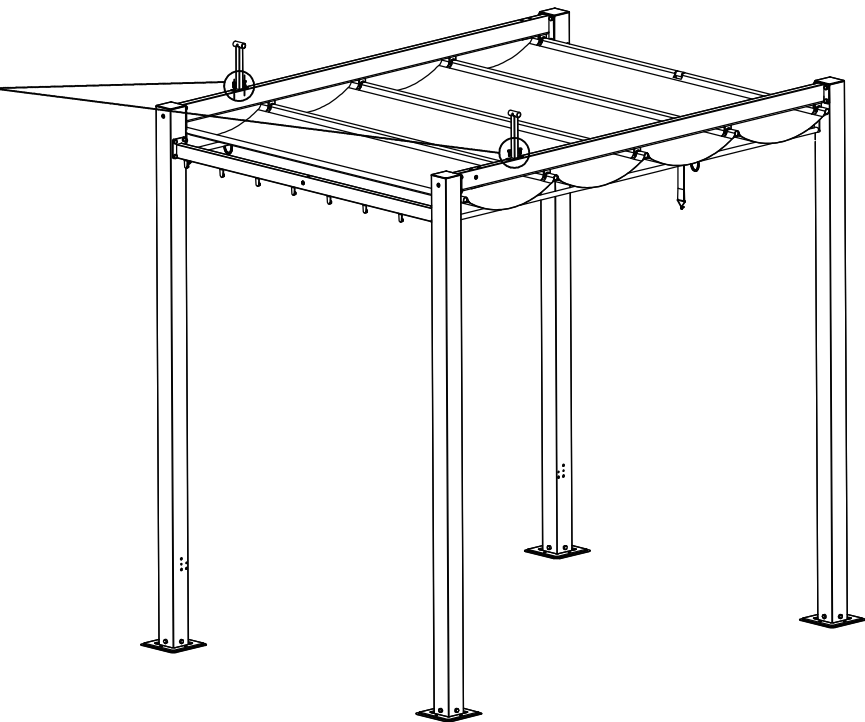
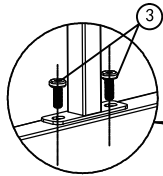


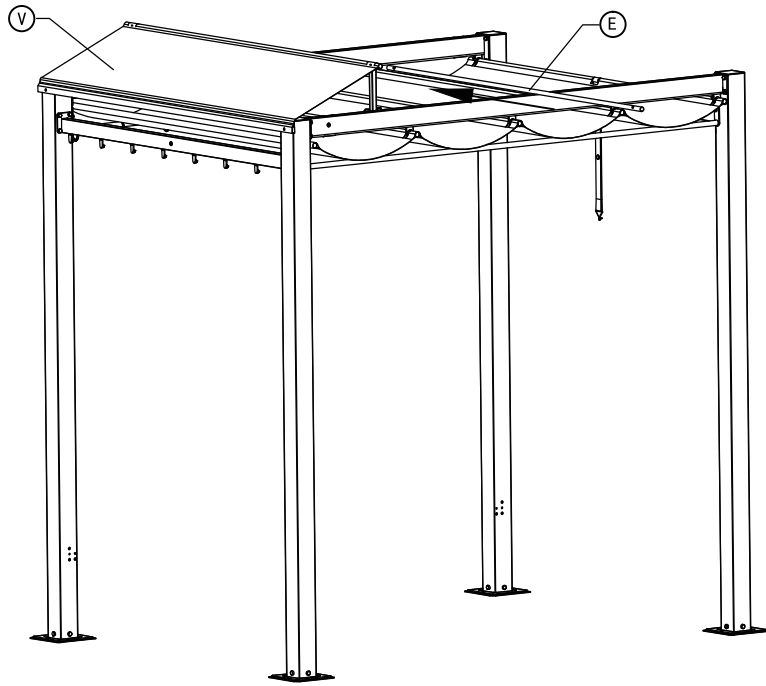
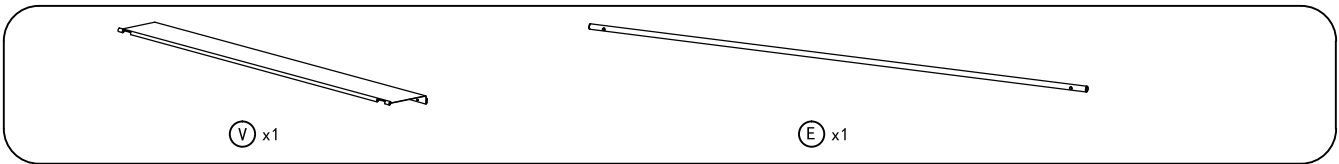
M6x16



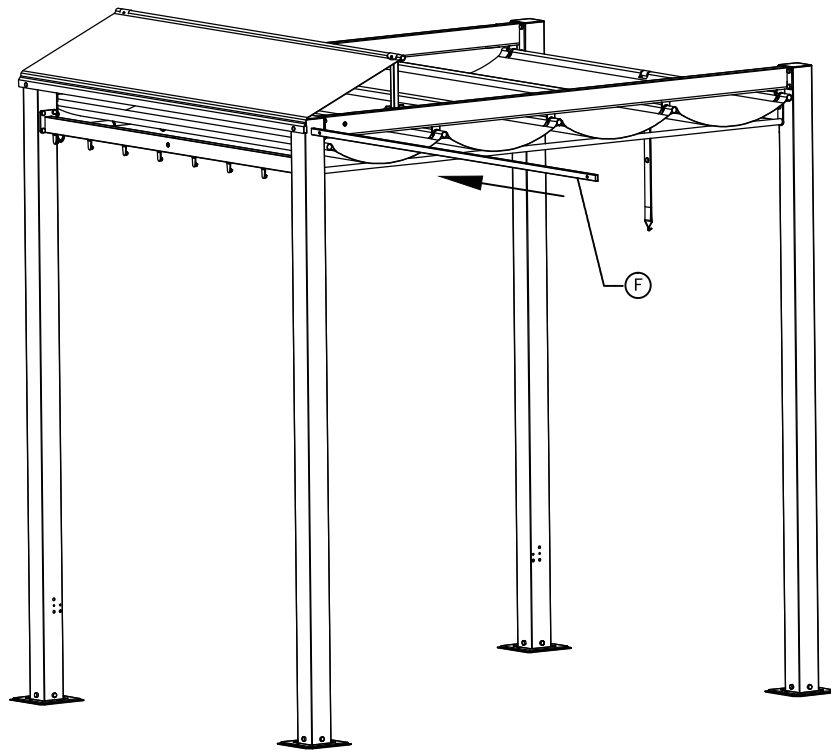
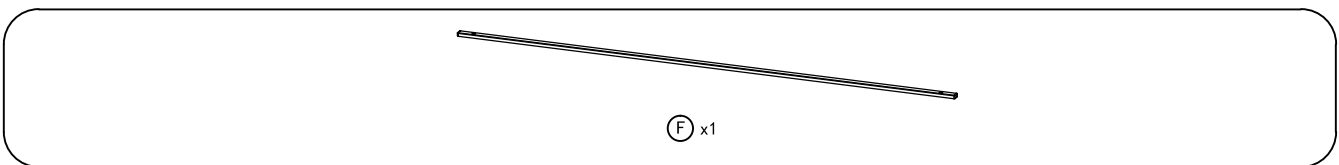
S4

13 x1



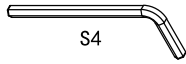


Insert the tube to small canopy.



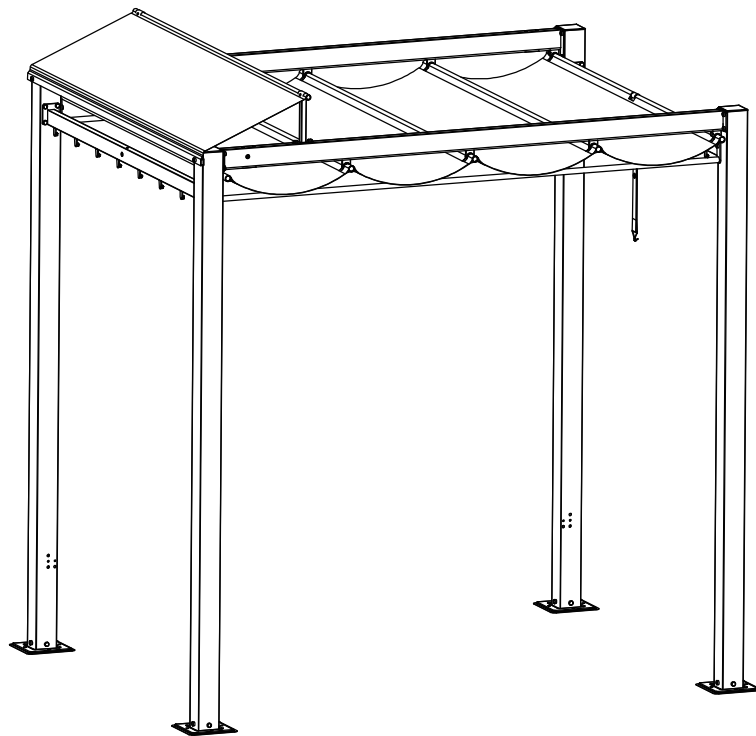
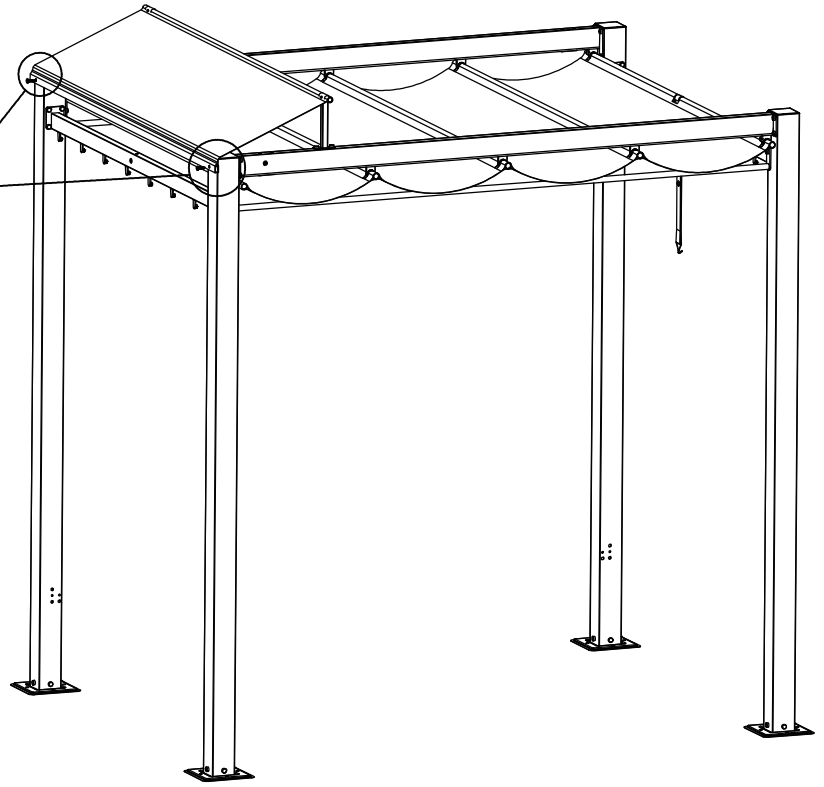
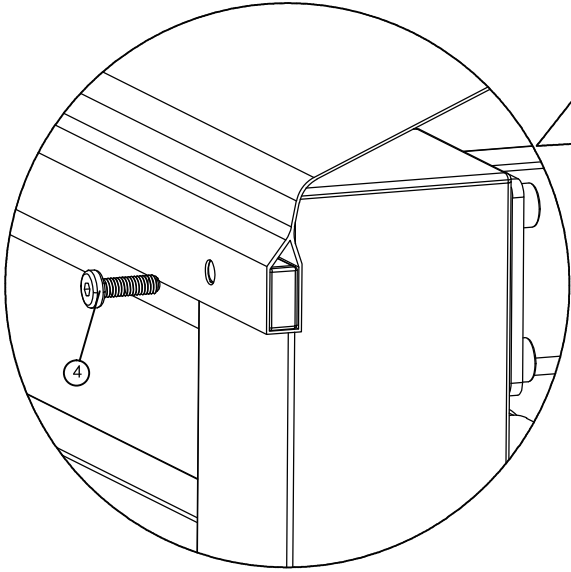


④ x2 M6x20



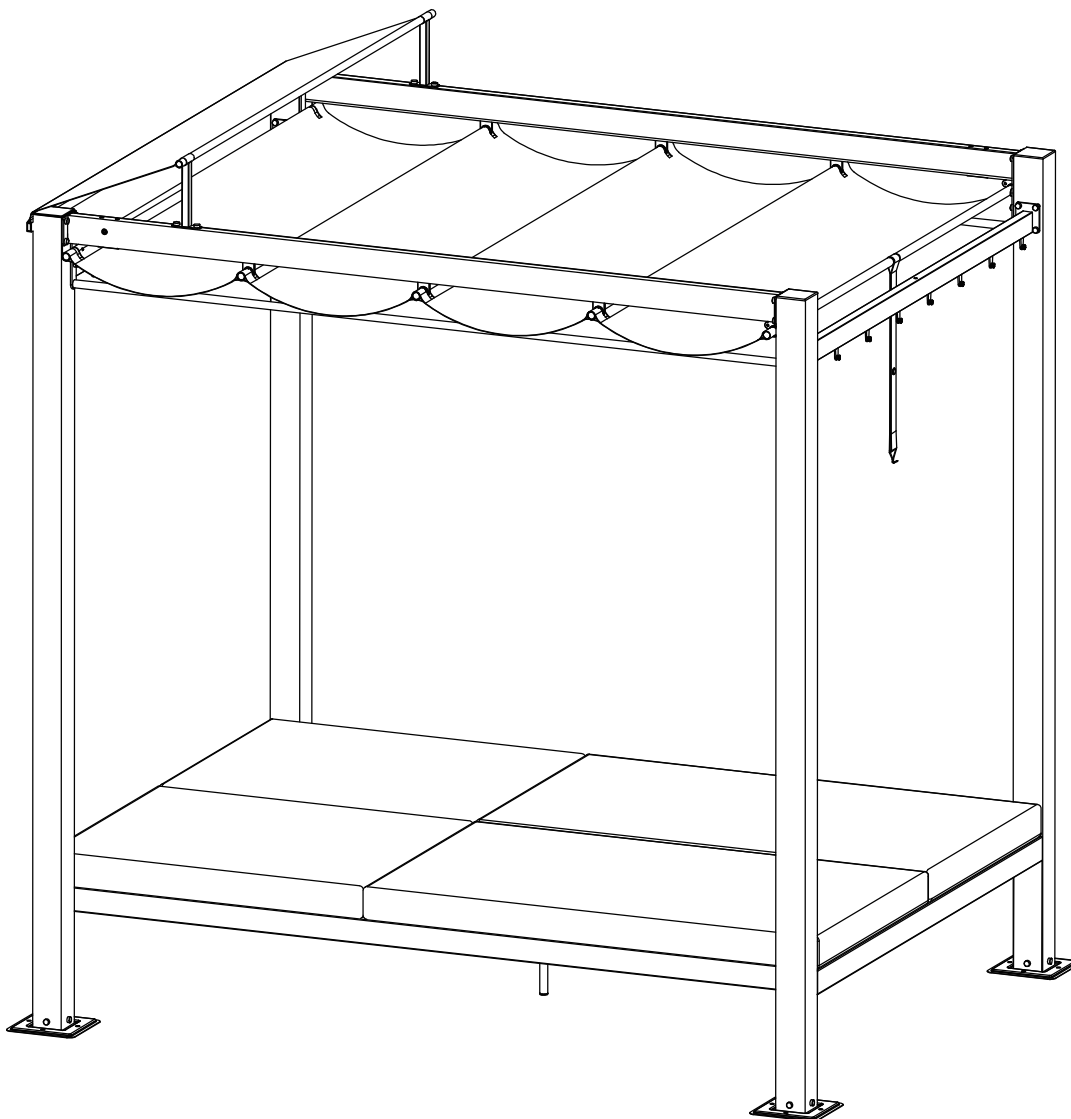
S4

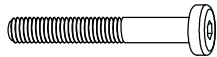
⑬ x1



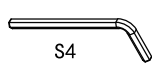
STEP 4

Install the bed frame to the posts.





7 x6 M6x45

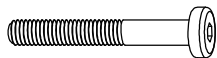
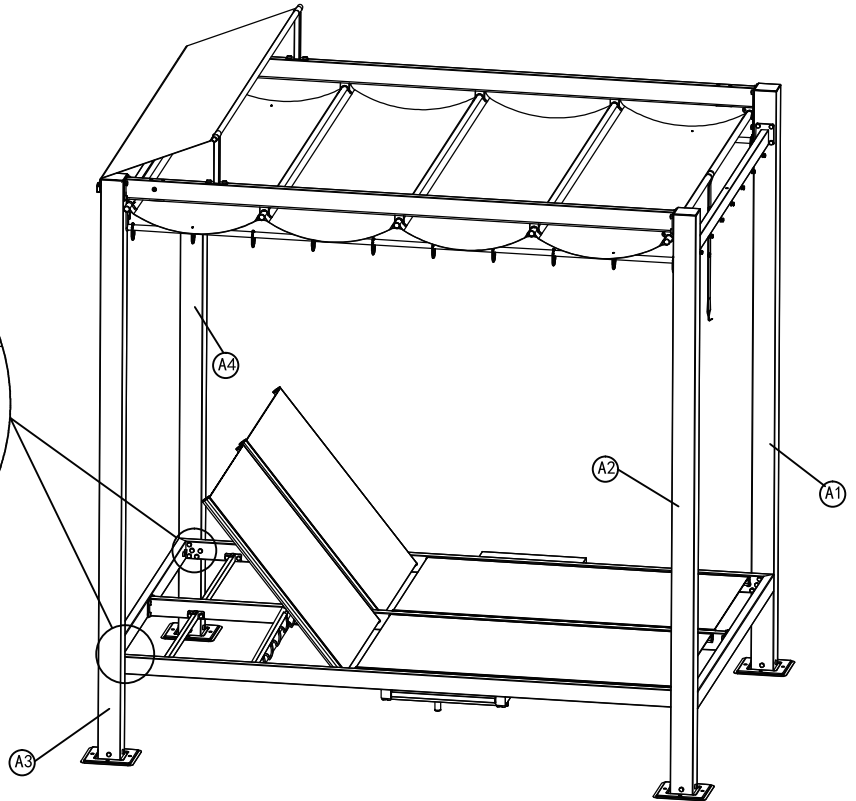
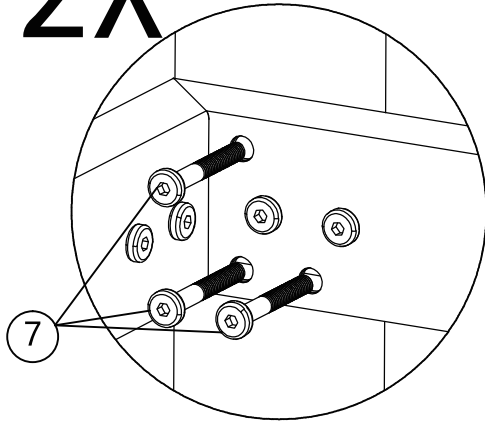


S4

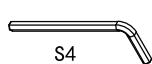
13 x1

⚠ Please don't tighten the bolts until all the 12 bolts are all screwed in the hole.

2X



7 x6 M6x45

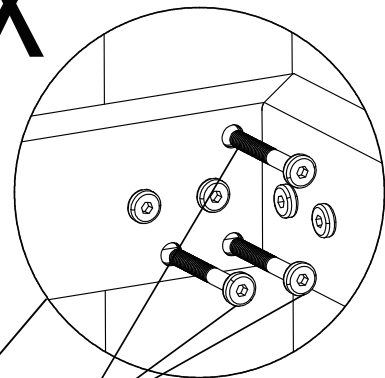
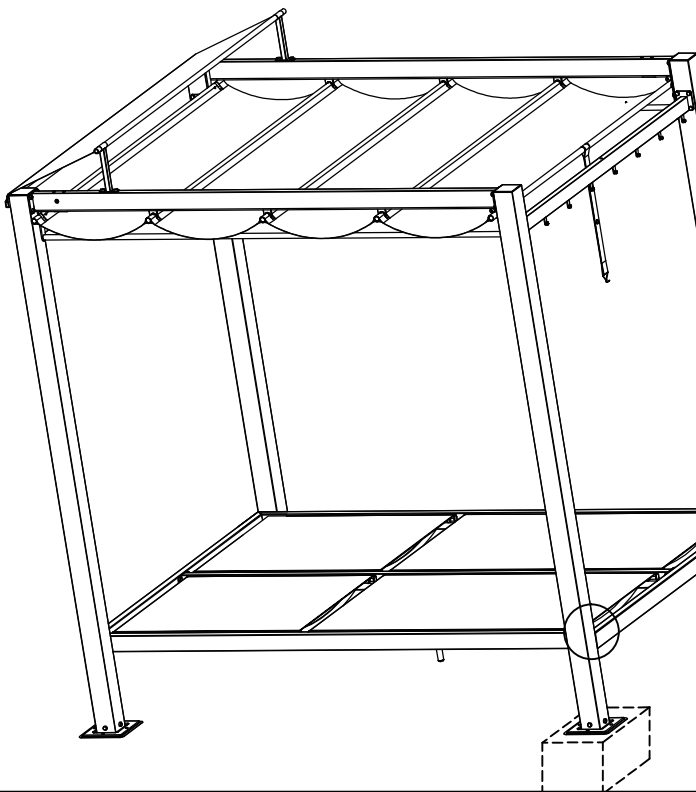


S4

13 x1

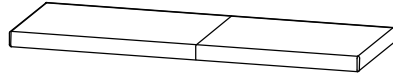
⚠ Please don't tighten the bolts until all the 12 bolts are all screwed in the hole.

2X

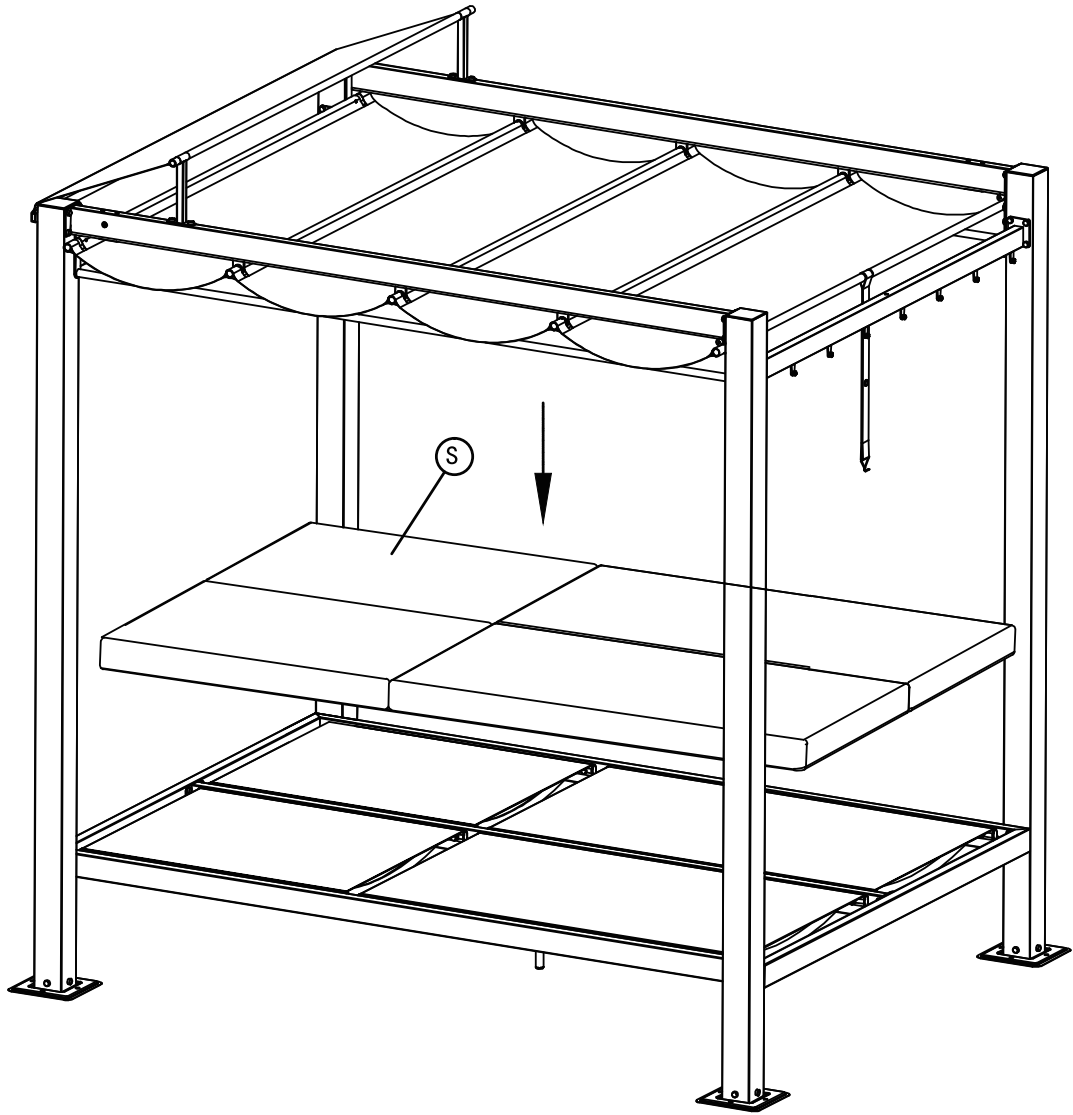


7

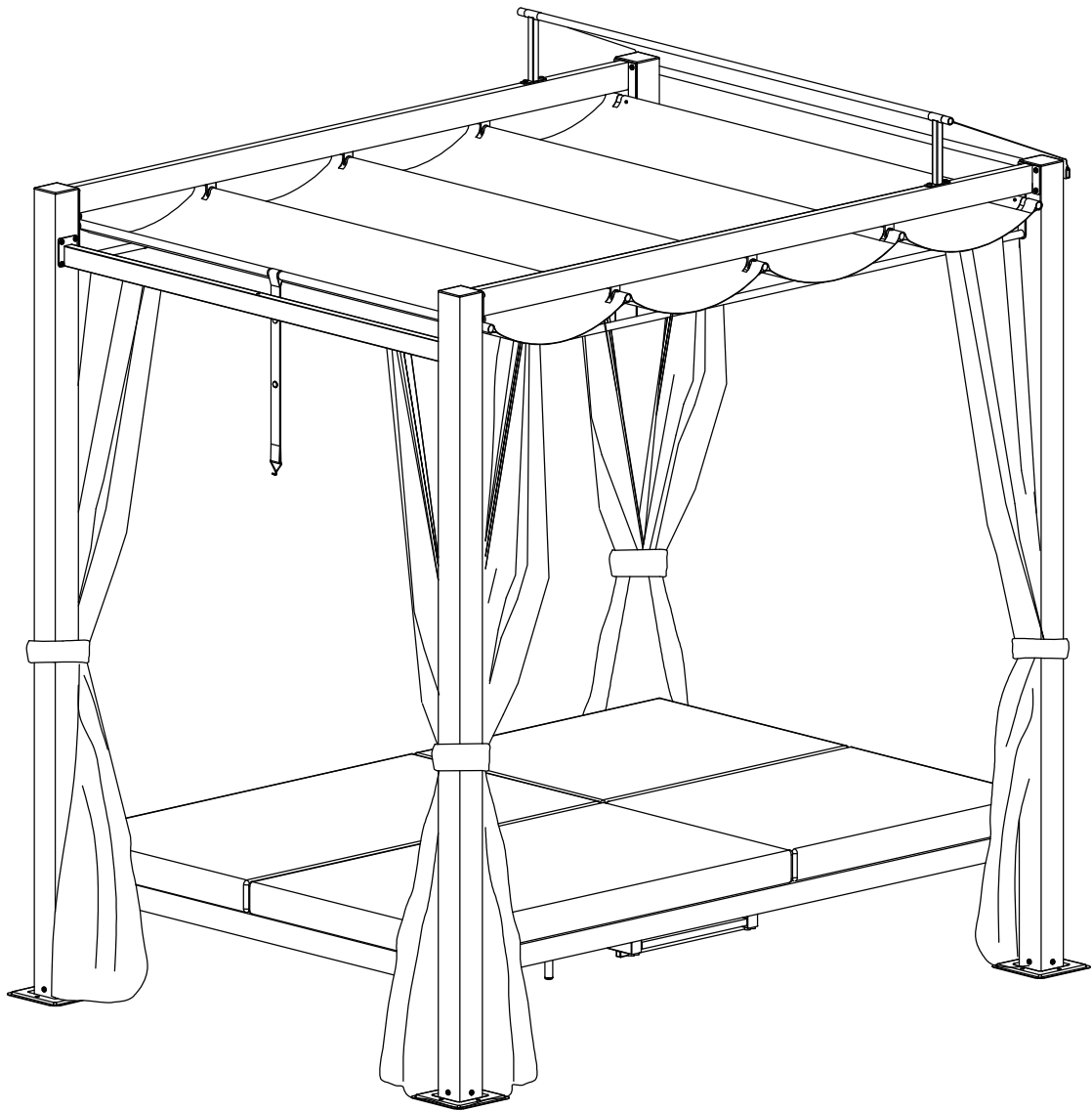
In order to better complete the installation, we suggest that you could take something to raise the two posts before tightening the bolts.

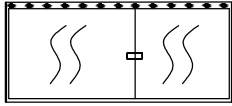


Ⓢ x2

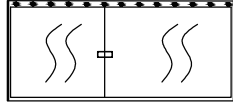


STEP 5





T1 x2



T2 x2



X x20

