

Backsplash sold separately

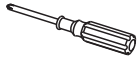
Tools List (Not included)



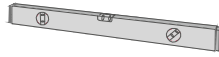
Tape Measure



Silicone



Screwdriver



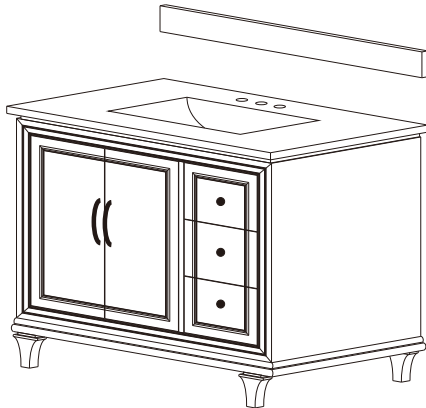
Spirit Level

Parts (Not included)



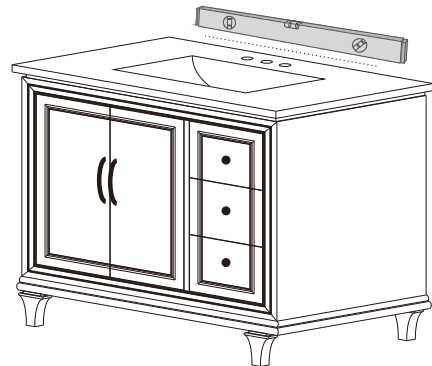
Backsplash

Unpack the vanity from carton box carefully.



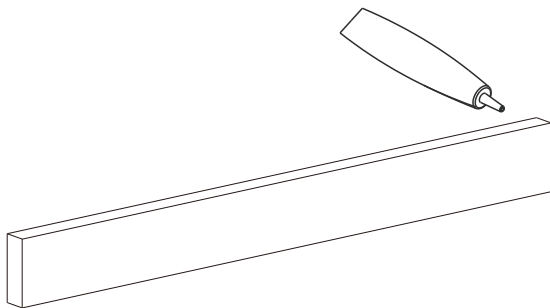
Step 1

Use a spirit level to ensure the vanity is level from left to right and front to back, adjust if needed.



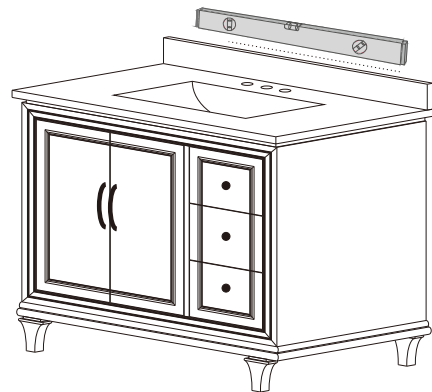
Step 2

Apply silicone sealant evenly along the bottom of backsplash and wall.



Step 3

Place backsplash on the surface of the counter with the siliconed side down. Check for alignment and let it dry for 24 hours.



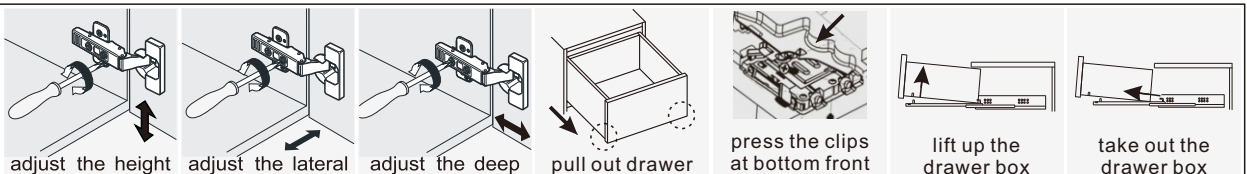
Step 4

CARE AND CLEANING

For best results in caring for your stone top, we suggest:

- Always wipe off spills immediately.
- Seal the stone top regularly with a good quality stone sealant.
- Never use strong or abrasive cleaner, and always test your cleaning solution on unnoticeable areas before applying to the entire surface.
- Wipe surface clean, immediately after applying cleaner.
- Do not allow cleaner to sit or soak. Never let cleaner sit on the surface of the stone for long periods of time.
- Use a soft, dampened sponge and cloth. Never use an abrasive material such as brush or scouring pad to clean surface. They will scratch the surface of the stone top and lavatory
- Always rinse and wipe clean the fixtures to prevent soap buildup.

INSTALLATION TIPS:



NOTE: SINK STYLE, SHAPE, FAUCET HOLES, CUTOUT ON TOP, VANITY MAY VARY FROM THE PICTURE ABOVE. INSTRUCTIONAL PURPOSE ONLY.