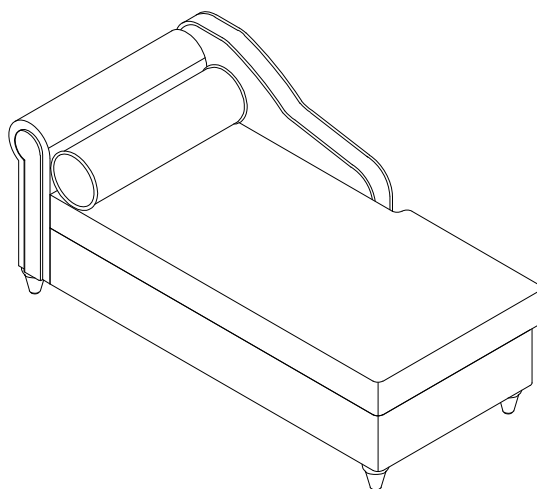
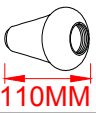
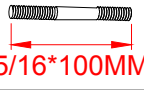

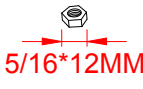
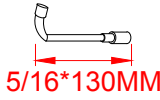



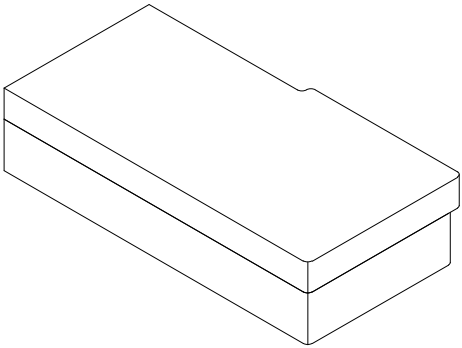
① ASSEMBLY INSTRUCTION

MODEL NO.HC5607

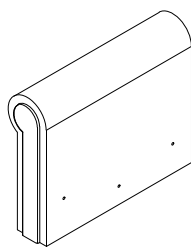


Components/QTY	Components/QTY	Components/QTY
A 4PCS 	B 5PCS 	C 5PCS 
D 5PCS 	E 1PC 	F 5PCS 

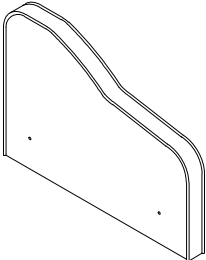
① 1PC



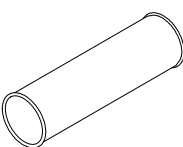
② 1PC



③ 1PC



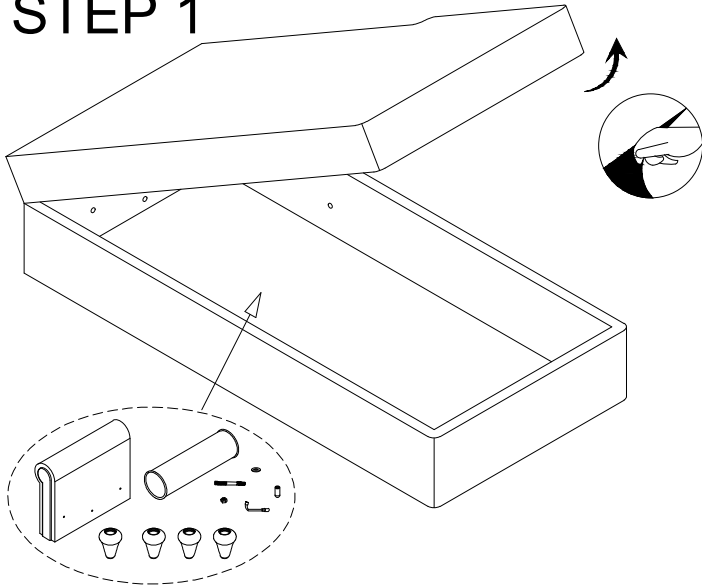
④ 1PC



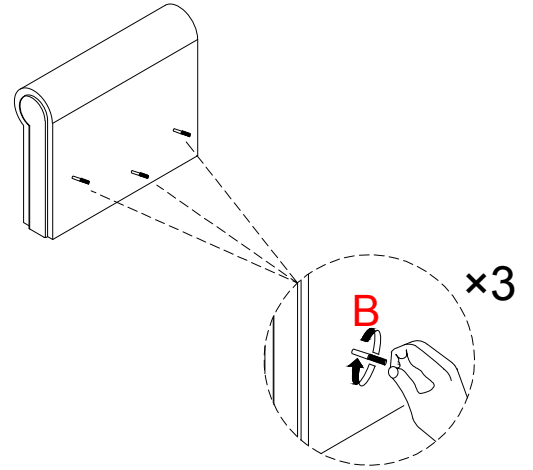
② ASSEMBLY INSTRUCTION

MODEL NO.HC5607

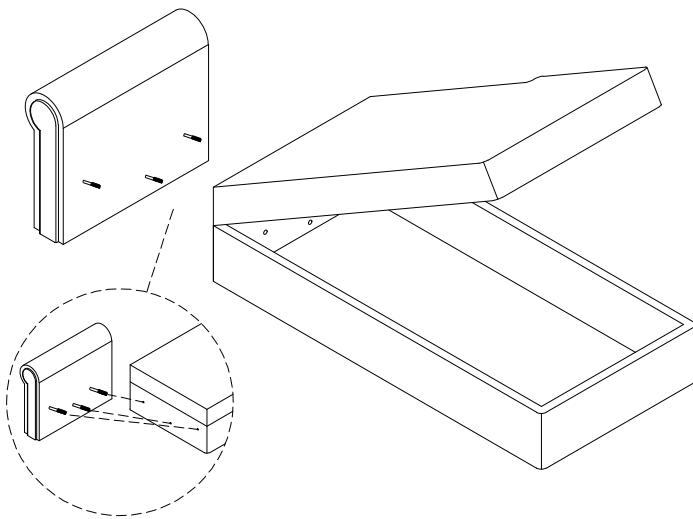
STEP 1



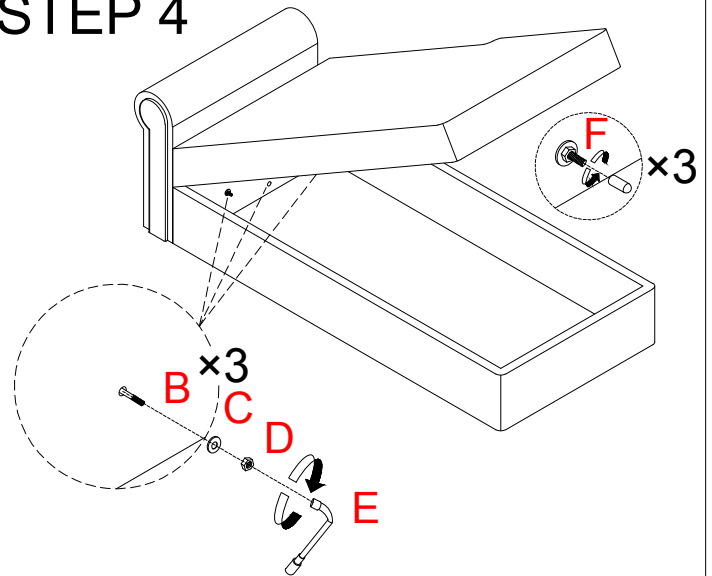
STEP 2



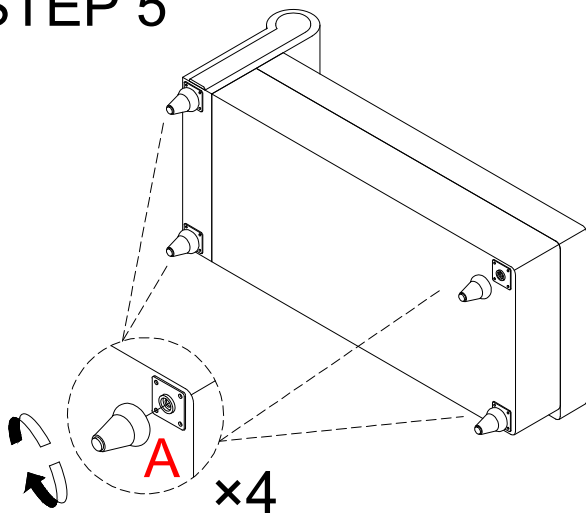
STEP 3



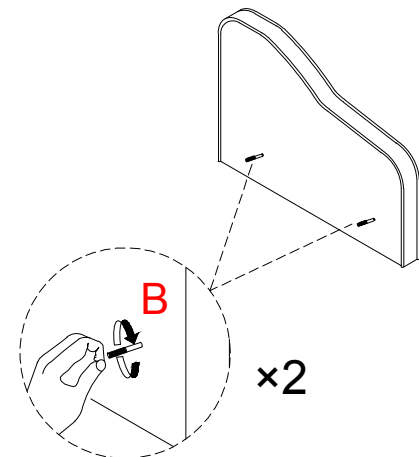
STEP 4



STEP 5



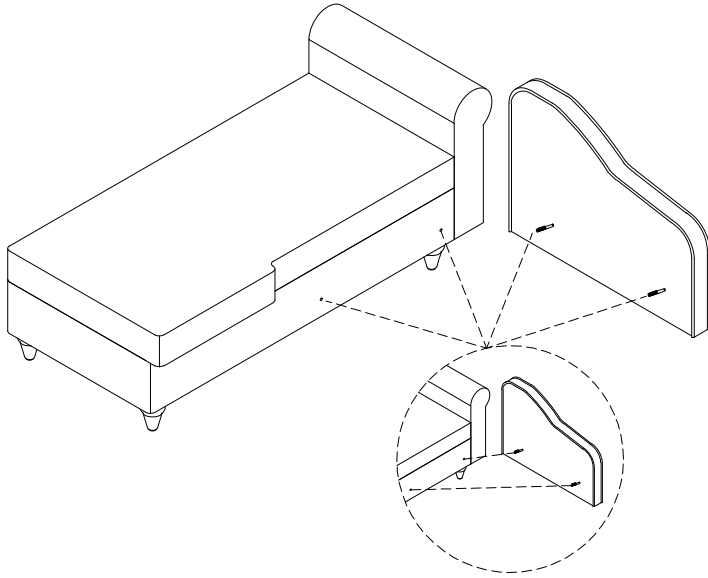
STEP 6



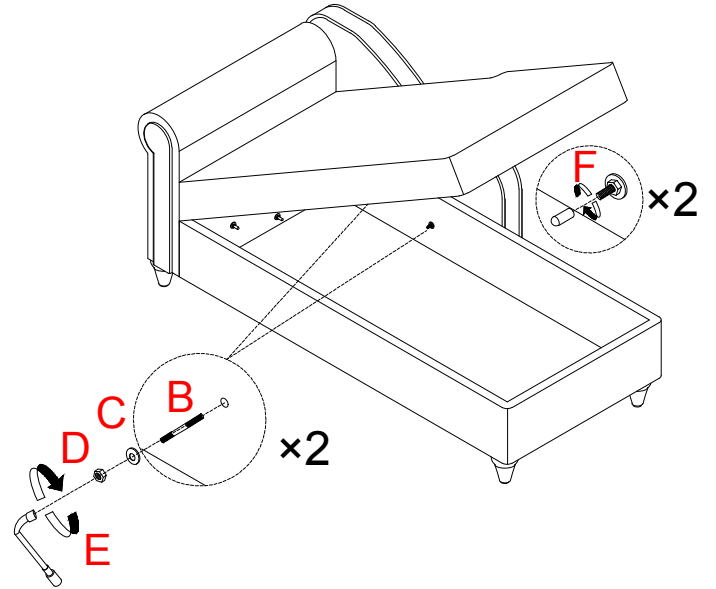
③ ASSEMBLY INSTRUCTION

MODEL NO.HC5607

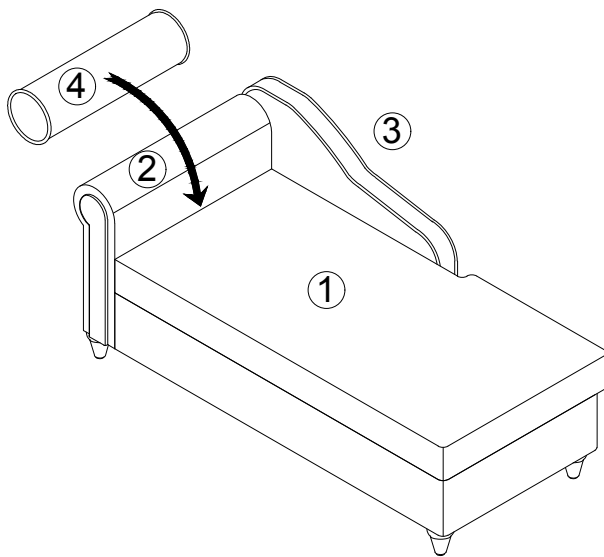
STEP 7



STEP 8



STEP 9



STEP 10

