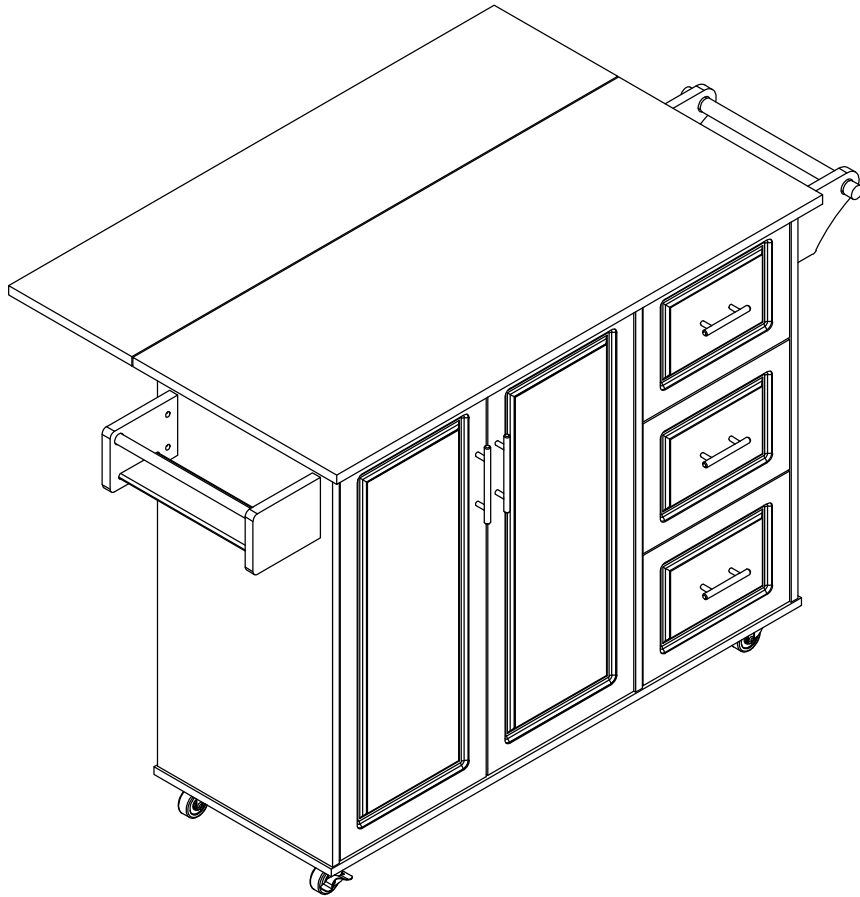


INSTALLATION & ASSEMBLY

Kitchen Cart



General Guidelines

- Please read the following instruction carefully and use the product accordingly.
- Please keep this manual and hand it over when you transfer the product.
- This summary may not include every detail of all variations and considered steps. Please contact us when further information and help are needed.

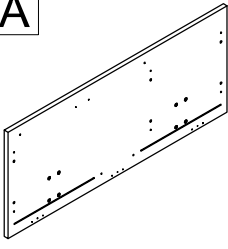
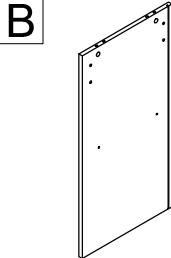
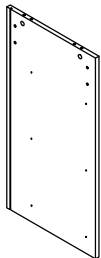

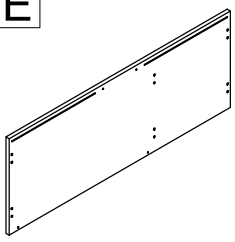
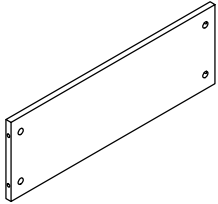
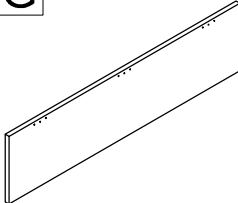
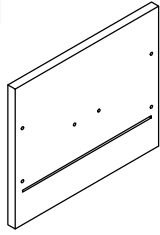
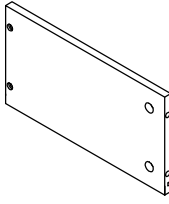
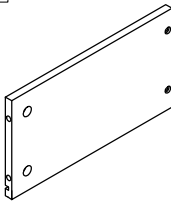
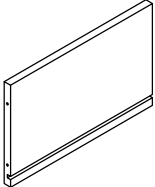
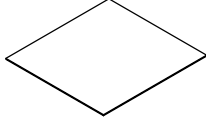


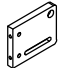
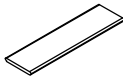

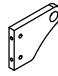
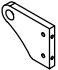
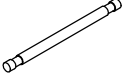
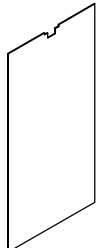
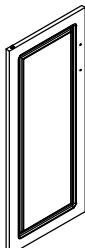
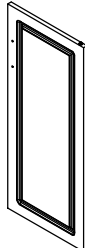
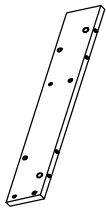
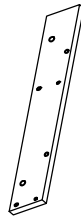

Notes

- The product is intended for indoor use only. The product must be assembled and used in accordance with the provisions of the manual. Personal injury and/or damage to product may occur if products are used outside of their intended purposes and/or if products have been changed/modified from their original design. The seller does not assume any responsibility or liability with respect to any injury/damage caused by incorrect assembly or improper use.
- Avoid long-term exposure to humid environments to prevent mildew.
- Keep the product away from fire sources and high temperatures. Do not expose the product to direct sunlight.
- Do not place any hot objects on the surface of the product.
- If there are any defective or missing parts after unpacking, please cease assembly immediately and contact us.
- Please assemble the item on a spacious surface and do not place the unwrapped product directly on the ground to avoid product damage.
- Please do not stand or sit on the wooden boards.
- Please wear gloves during the assembly and/or disassembly process to avoid scratches from any sharp edges.
- Please match the corresponding part and fitting based on the part number in the manual.
- If the part does not match with the fitting, please check the piece as specified in this manual.
- During assembly, first loosely align all screws with the corresponding pre-drilled holes and then tighten the screws one by one.
- Periodically inspect screw tightness while the product is in use. If necessary, retighten to ensure structural integrity.
- If you accidentally spill water or another liquid on the surface, immediately wipe clean with a dry towel.
- Please keep the product away from sharp, pointed objects and corrosive substances to prevent product damage.
- Please place this item on level, solid ground during use.

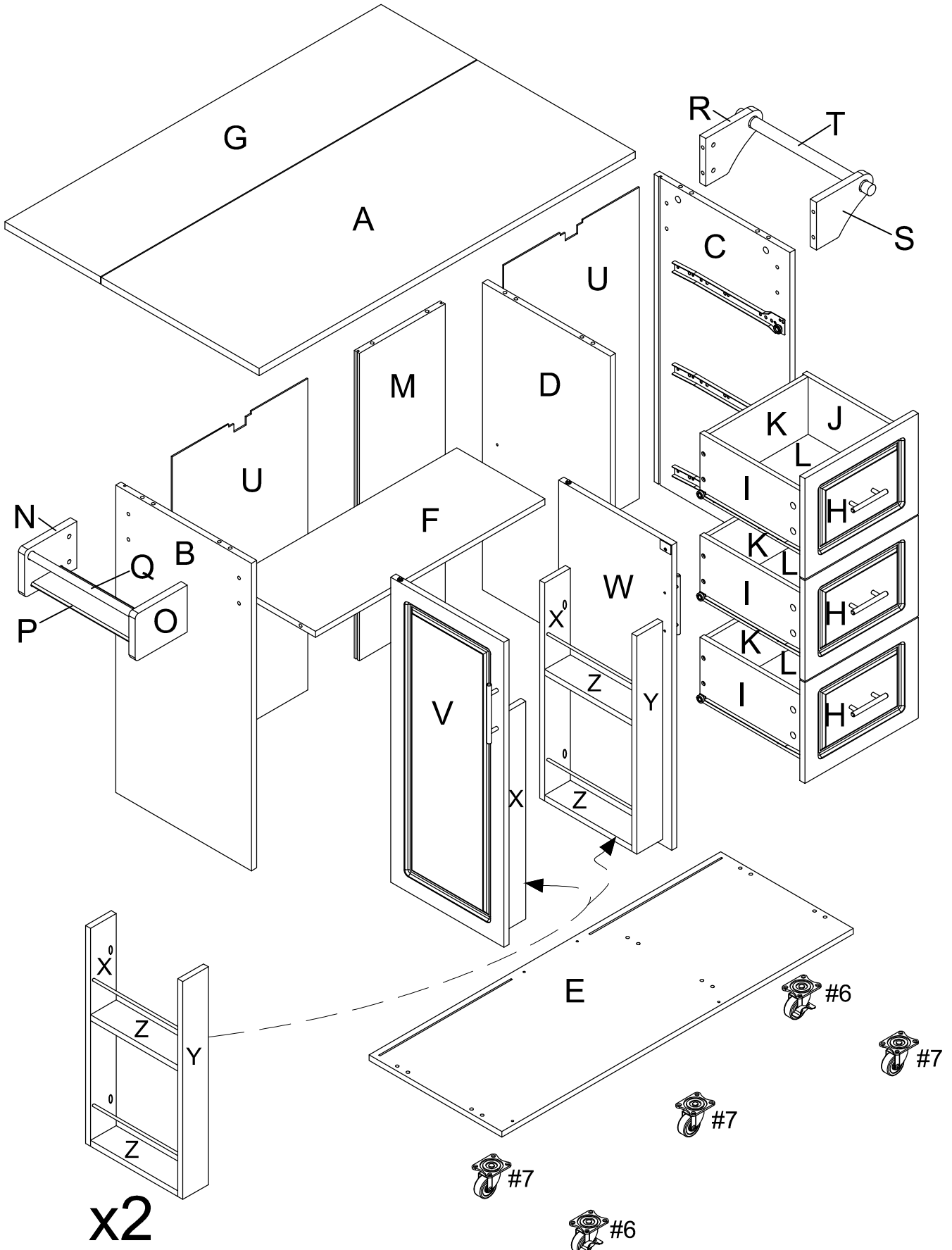
Warnings

- During assembly, keep all small parts out of the reach of children. It may be fatal if swallowed or inhaled.
- Children should not climb or play on the product in order to avoid tipping over the furniture and causing serious injury.
- To avoid the potential dangers of suffocation, please keep all parts and packaging (film, plastic bags, foam, etc.) away from babies and children.
- Keep sharp objects and corrosive items away from the product to avoid any damage or injury.
- Do not shake or move violently during use to avoid tipping over the product.

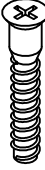






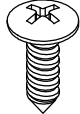


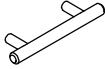
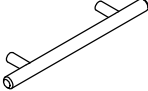
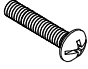


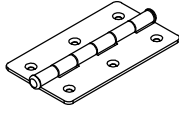
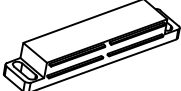
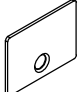

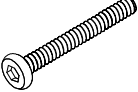
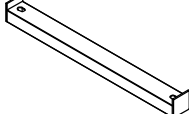
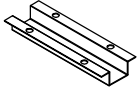

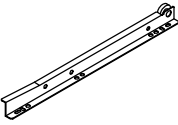
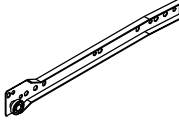
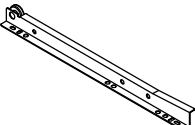
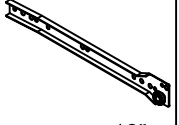
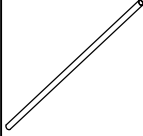

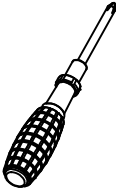
PART LIST

A 	B 	C 	D 	E 	
Large Top Panel 1 PC	Left Panel 1 PC	Right Panel 1 PC	Partition Panel 1 PC	Bottom Panel 1 PC	
F 	G 	H 	I 	J 	
Fixed Shelf Panel 1 PC	Small Top Panel 1 PC	Drawer Front Panel 3 PCS	Drawer Left Panel 3 PCS	Drawer Right Panel 3 PCS	
K 	L 	M 	N 	O 	
Drawer Back Panel 3 PCS	Drawer Bottom Panel 3 PCS	Back Post 1 PC	Spice Rack Left Support 1 PC	Spice Rack Right Support 1 PC	
P 	Q 	R 	S 	T 	
Spice Rack Bottom Panel 1 PC	Spice Rack Bar 1 PC	Towel Rack Left Support 1 PC	Towel Rack Right Support 1 PC	Towel Rod 1 PC	
U 	V 	W 	X 	Y 	Z 
Back Panel 2 PCS	Left Door 1 PC	Right Door 1 PC	Front Vertical Panel-L 2 PCS	Front Vertical Panel-R 2 PCS	Front Fixed Shelf Panel 4 PCS

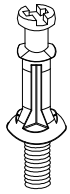
ASSEMBLY OVERVIEW



HARDWARE LIST

<p>#1</p>  <p>Ø7*38mm</p>	<p>#2</p>  <p>Ø8*30mm</p>	<p>#3</p>  <p>Ø3.5*30mm</p>	<p>#4</p>  <p>Ø6*35mm</p>	<p>#5</p>  <p>Ø15*9mm</p>	
Screw	Wood Dowel	Screw	Cam-bolt	Cam-lock	
6 PCS (Extra 2)	12PCS (Extra 4)	12PCS (Extra 4)	42PCS (Extra 4)	42PCS(Extra 4)	
<p>#6</p>  <p>3"</p>	<p>#7</p>  <p>3"</p>	<p>#8</p>  <p>Ø4.5*13mm</p>	<p>#9</p> 	<p>#10</p>  <p>Ø3.5*15mm</p>	<p>#11</p>  <p>100*32*Ø12mm</p>
Caster With Lock	Caster	Screw	Back Bracket	Screw	Handle
2 PCS	3 PCS	20 PCS (Extra 4)	12 PCS	32 PCS (Extra 6)	3 PCS
<p>#12</p>  <p>150*32*Ø12mm</p>	<p>#13</p>  <p>M4*22mm</p>	<p>#14</p>  <p>M6*10mm</p>	<p>#15</p>  <p>4mm</p>	<p>#16</p> 	<p>#17</p>  <p>70*17*13mm</p>
Handle	Round Head Bolt	Short Bolt	Allen Wrench	Top Hinge	Door Magnet
2 PCS	10 PCS (Extra 2)	8 PCS	1 PC	3 PCS	1 PC
<p>#18</p>  <p>30*22*1mm</p>	<p>#19</p>  <p>M6*Ø9.5*10mm</p>	<p>#20</p>  <p>M6*45mm</p>	<p>#21</p> 	<p>#22</p> 	<p>#23</p>  <p>Ø3*12mm</p>
Door Small Plate	Barrel Nut	Long Bolt	Support Rail	Slipper Guide	Screw
2 PCS	8 PCS (Extra 2)	8 PCS (Extra 2)	2 PCS	2 PCS	32 PCS(Extra 6)
<p>#24</p>  <p>12"</p>	<p>#25</p>  <p>12"</p>	<p>#26</p>  <p>12"</p>	<p>#27</p>  <p>12"</p>	<p>#28</p> 	<p>#29</p>  <p>Ø6*30mm</p>
Left Drawer Slide Set (A)	Left Drawer Slide Set (B)	Right Drawer Slide Set (A)	Right Drawer Slide Set (B)	Plastic Pipe	Wood Dowel
3 PCS	3 PCS	3 PCS	3 PCS	4 PCS	16 PCS (Extra 2)
					 <p>Phillips Screwdriver</p> <p>1 PC</p>

Instructions For Fastening CAM-BOLT and CAM-LOCK

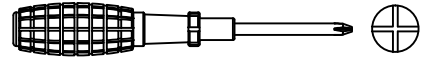


CAM-BOLT

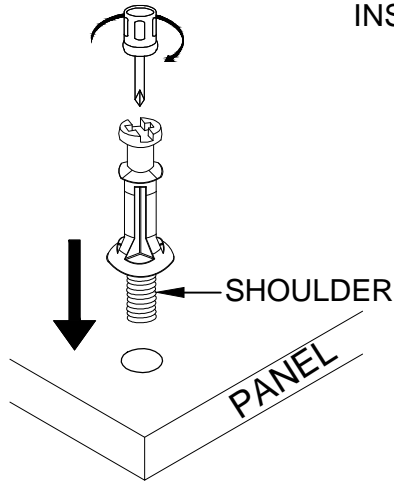


CAM-LOCK

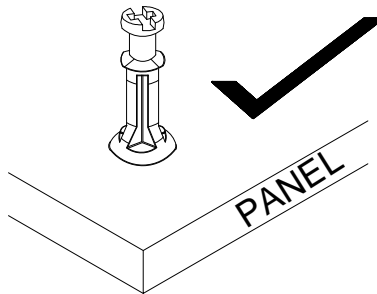
Tools Required



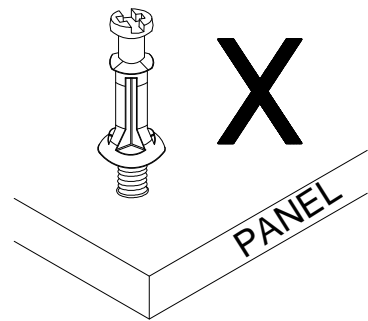
INSERTING AND TIGHTENING CAM-BOLT



Place Cam-bolt on pre-drilled hole and screw in vertically



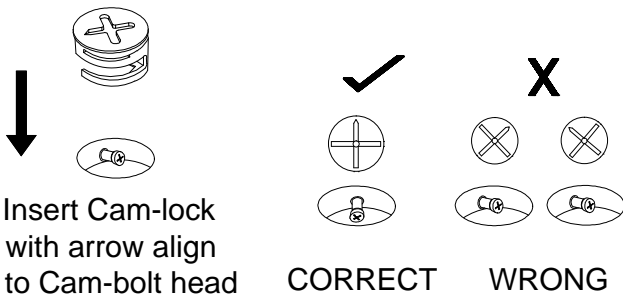
Shoulder is flushed (on the same level) with the panel.



Shoulder is above the panel.

Place Cam-bolt on the designated pre-drilled holes on the panel. Use a Phillips Screwdriver to screw-in Cam-bolt vertically until shoulder is flushed (on the same level) with panel.

INSERTING CAM-LOCK



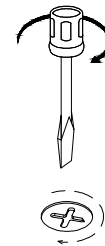
Insert Cam-lock with arrow align to Cam-bolt head

CORRECT

WRONG

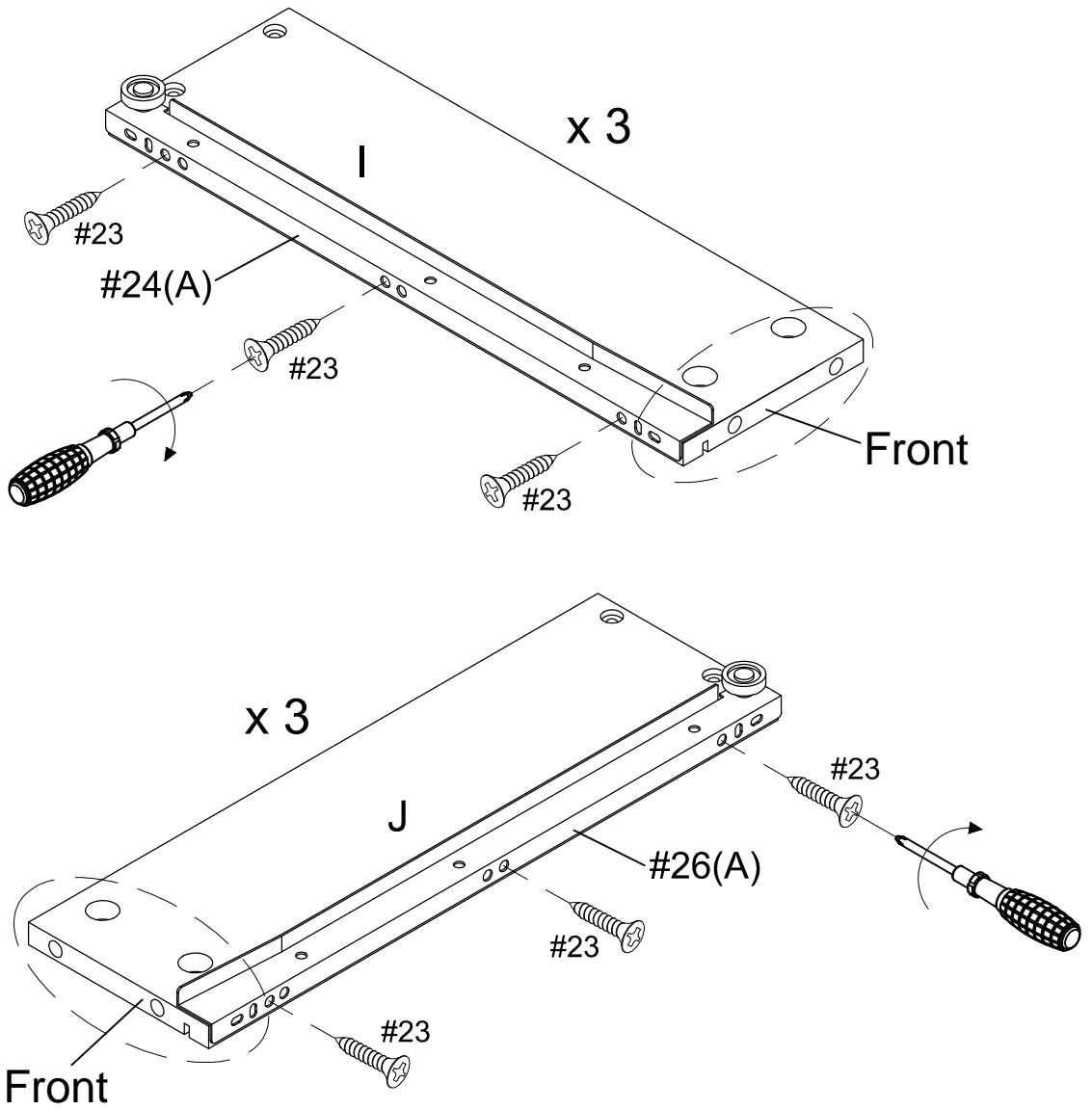
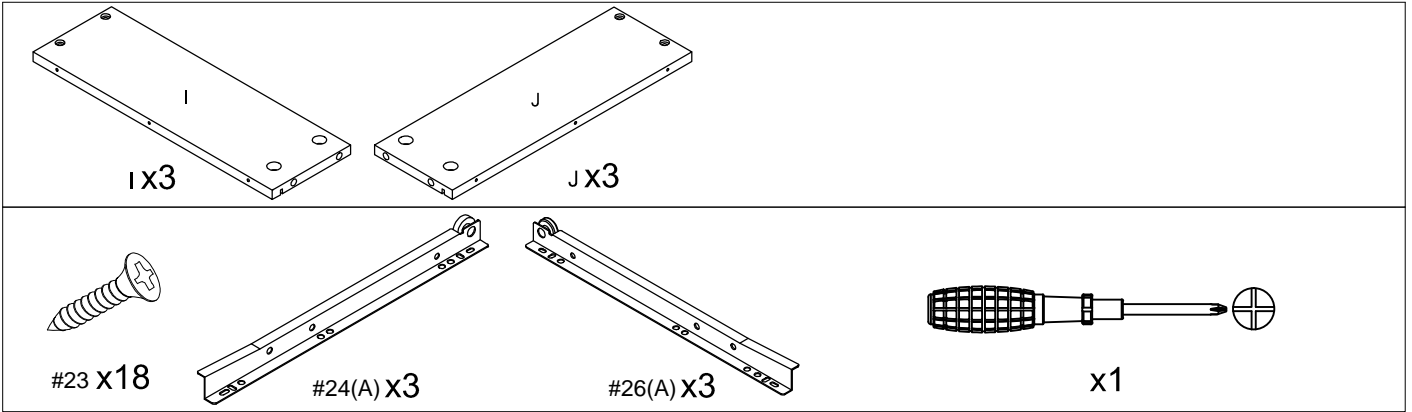
Align the arrow on the Cam-lock to the Cam-bolt head and insert the Cam-lock. Ensure Cam-lock is fully inserted.

TIGHTENING CAM-LOCK

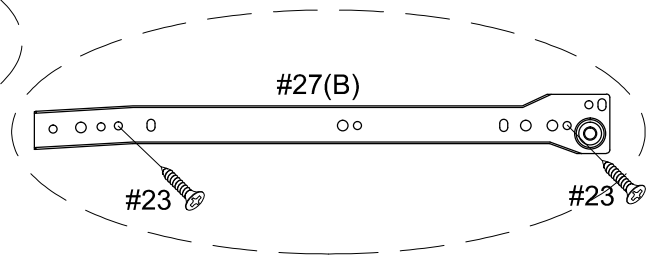
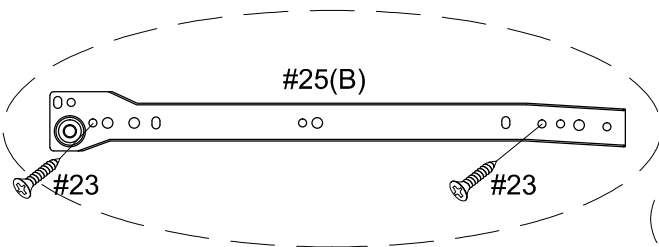
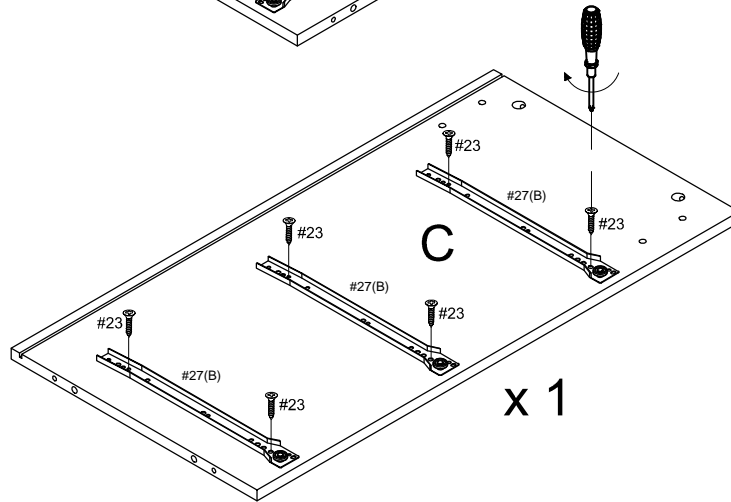
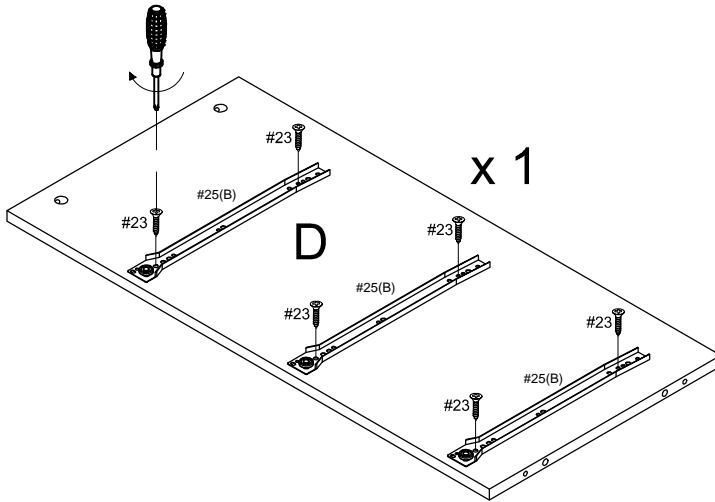
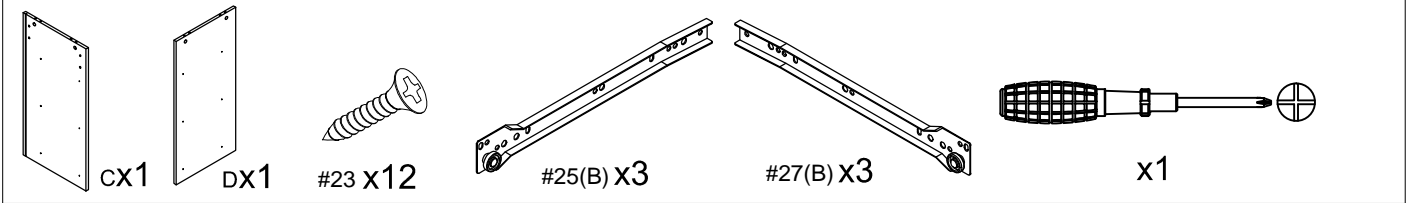


Use a Flat-head Screwdriver to turn Camlock clockwise so it locks onto the head of the Cam-bolt. Turn until it is snug (about 3/4ths of a turn) -- over-tightening could damage Cam-lock or/and Cam-bolt.

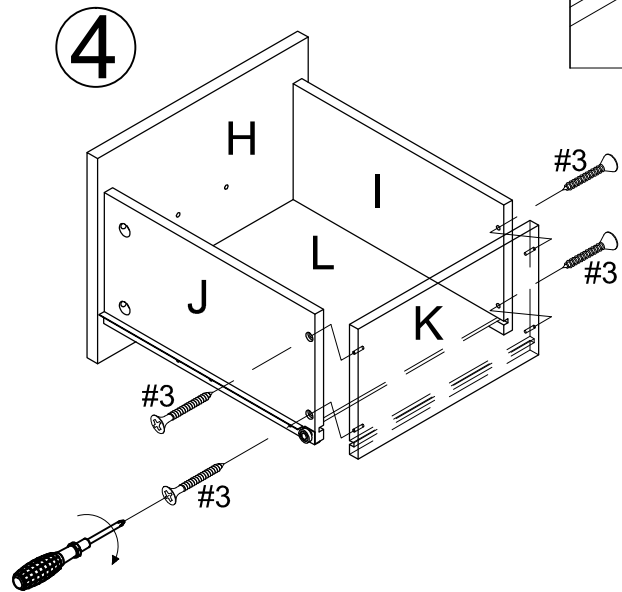
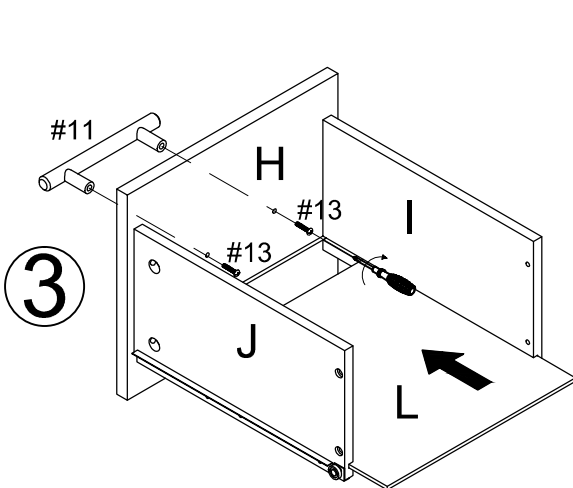
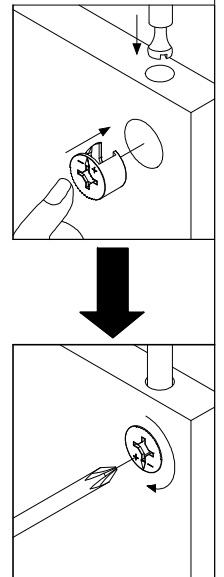
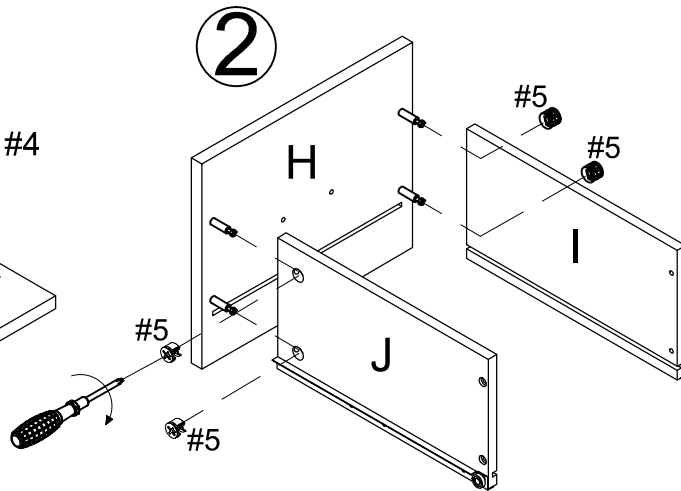
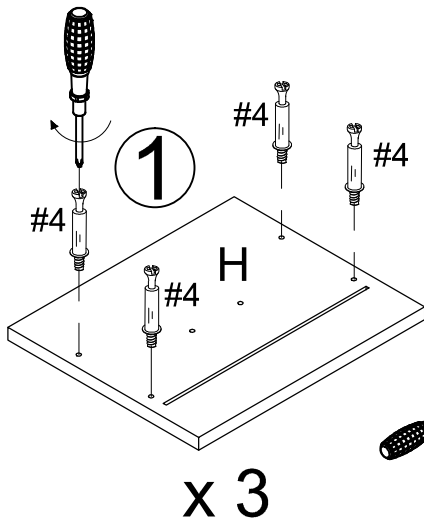
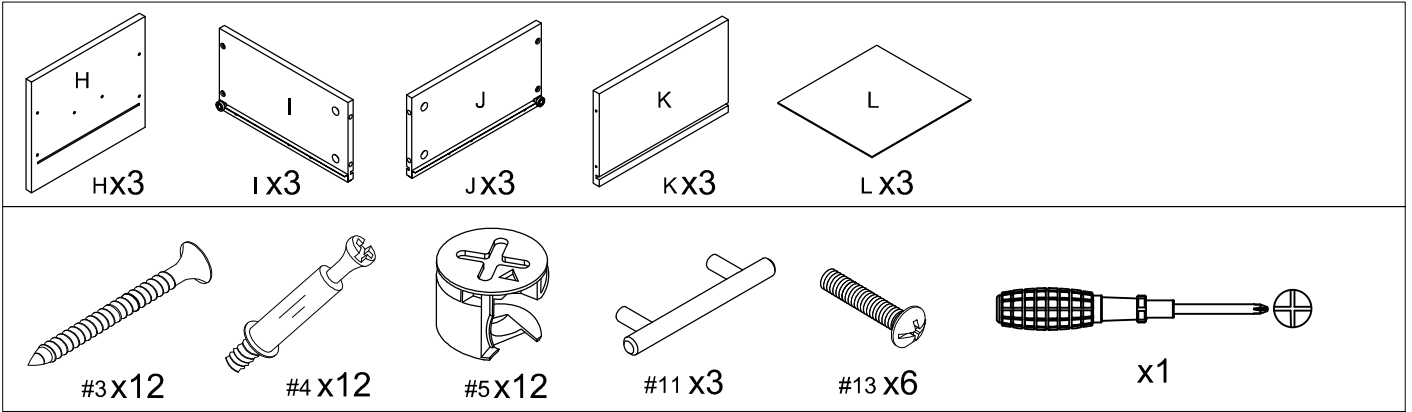
Step 1.



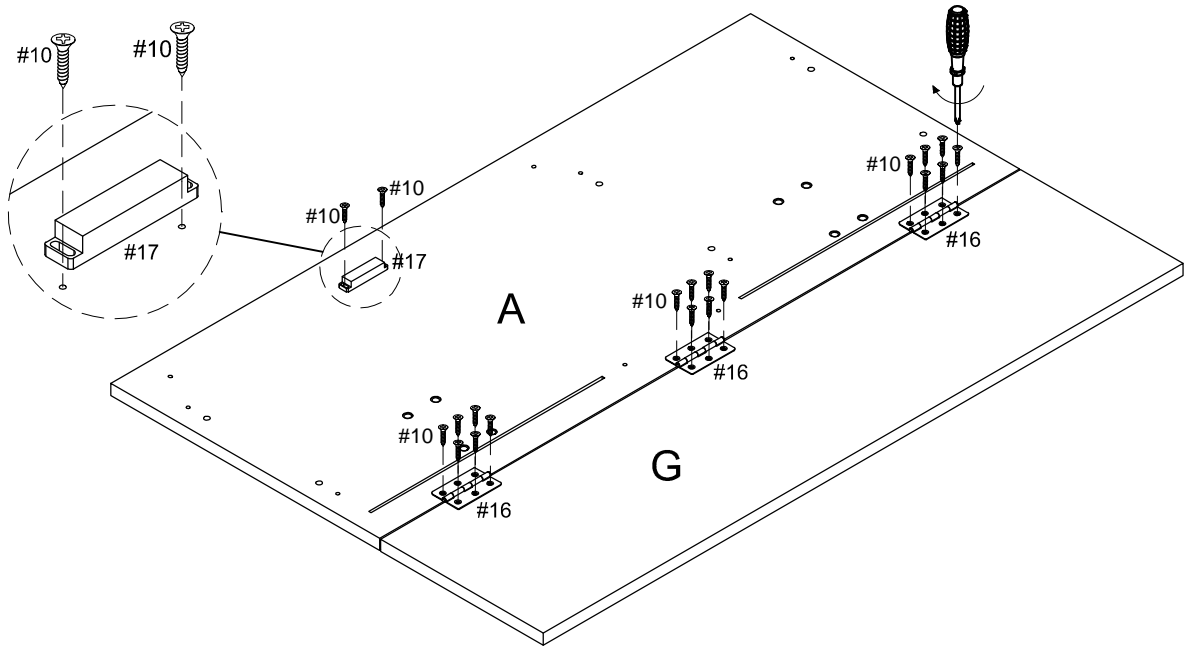
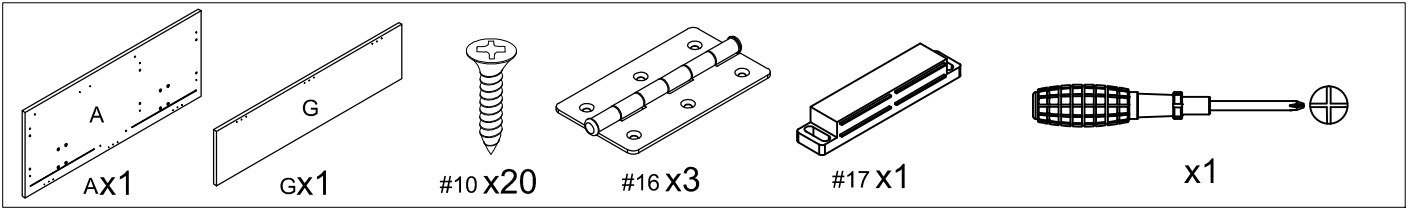
Step 2.



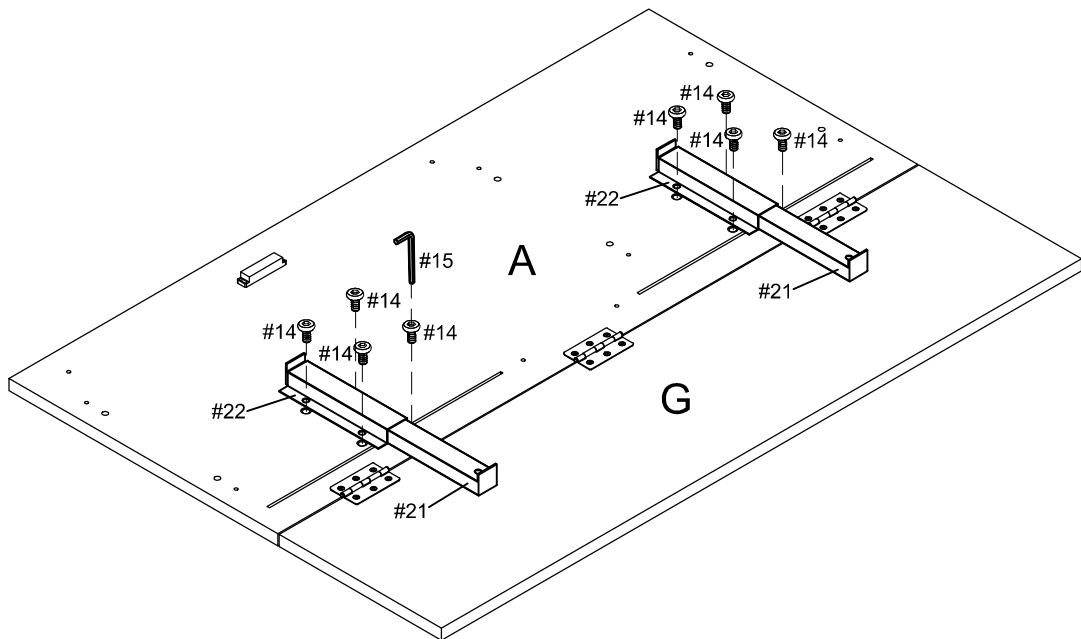
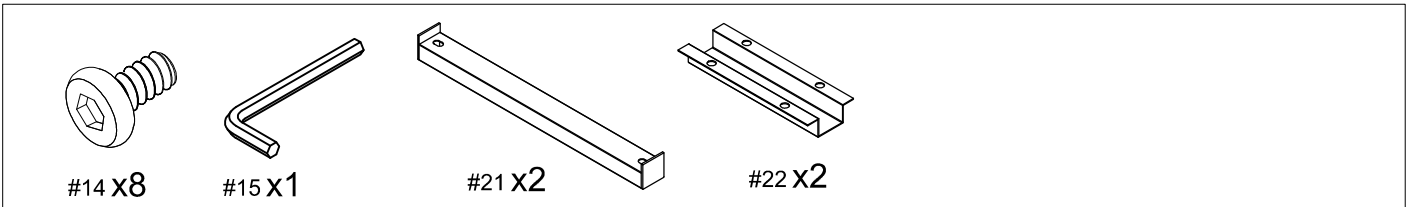
Step 3.



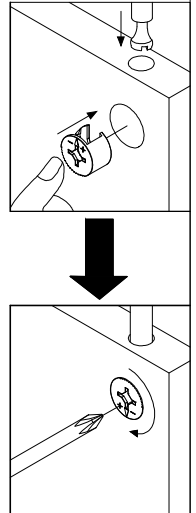
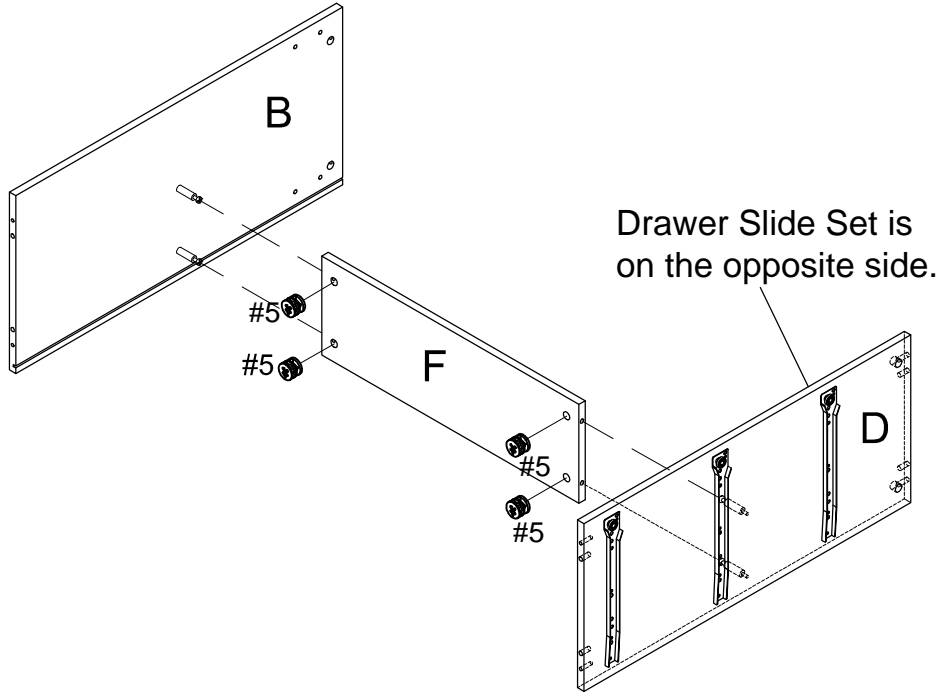
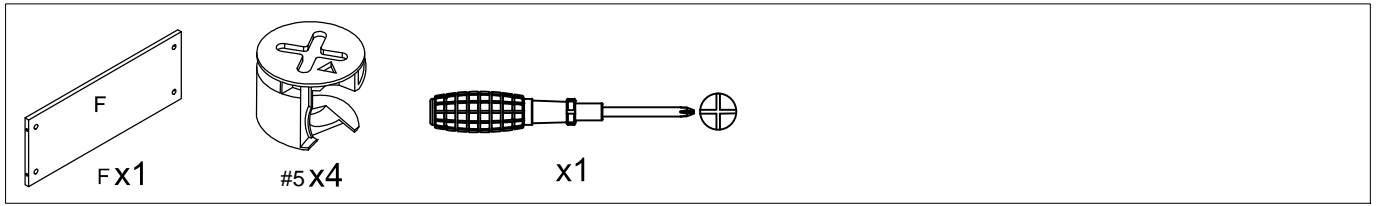
Step 4.



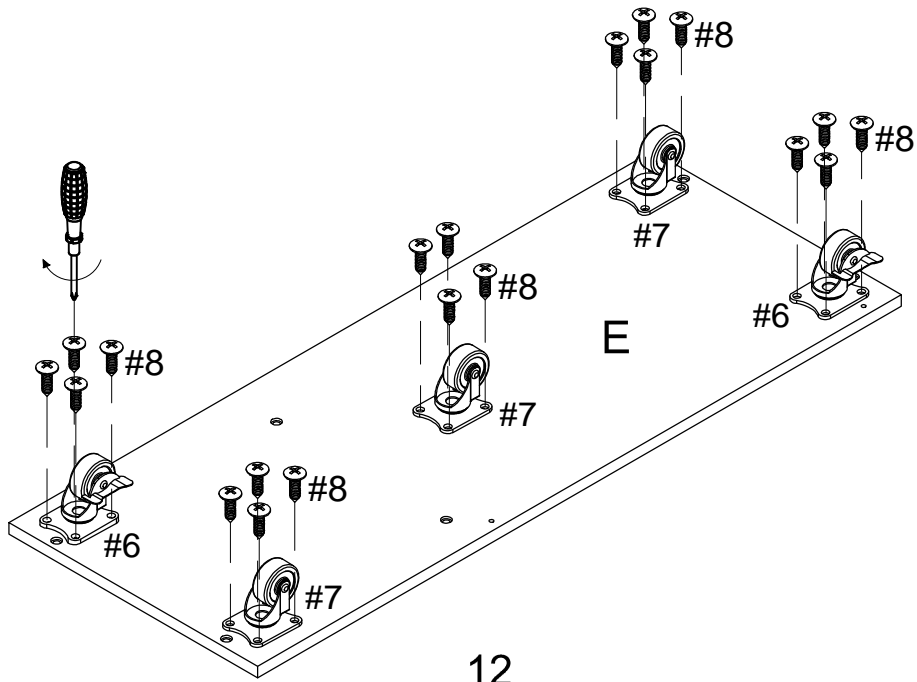
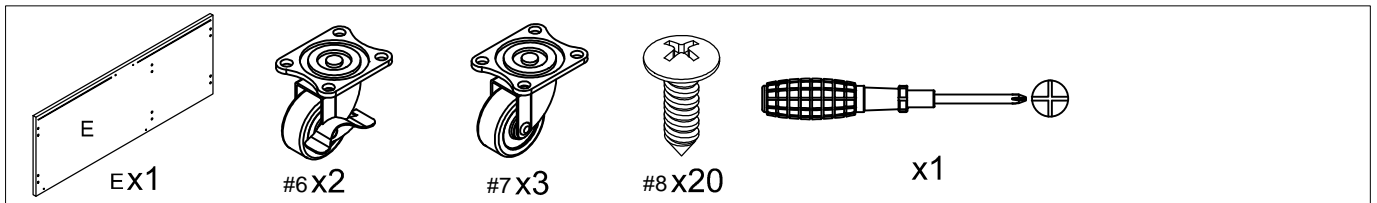
Step 5.



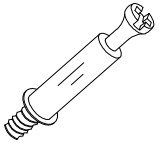
Step 8.



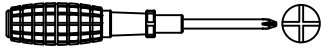
Step 9.



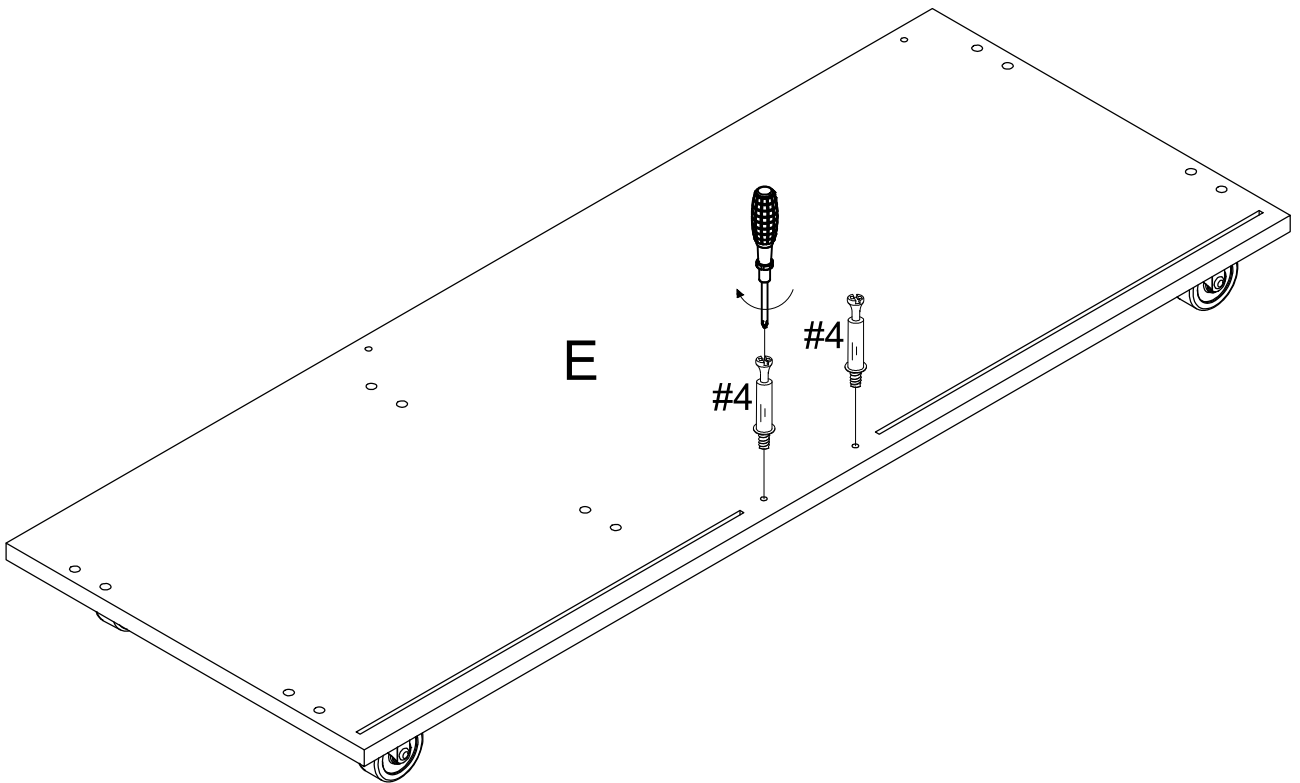
Step 10.



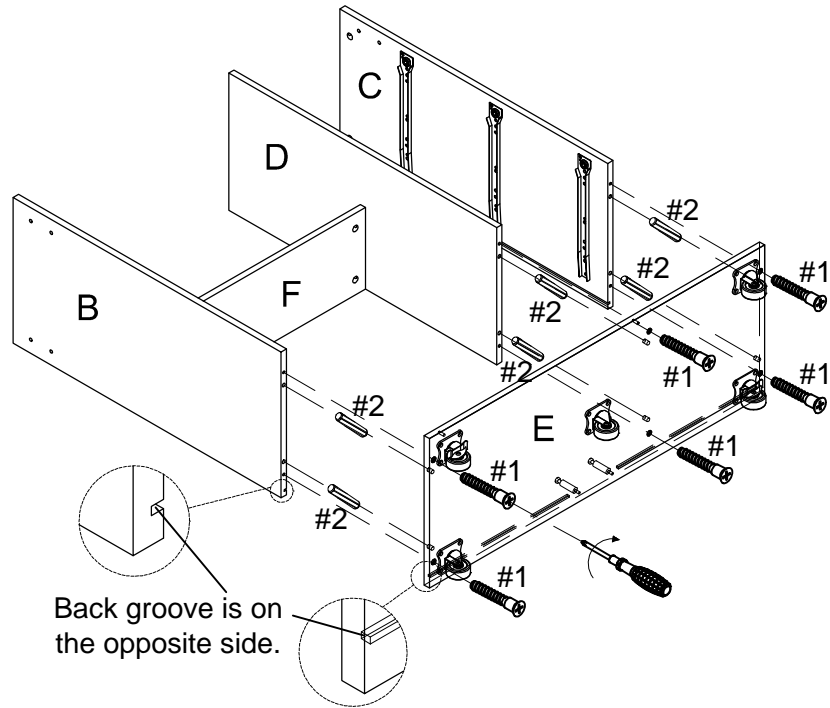
#4 x2



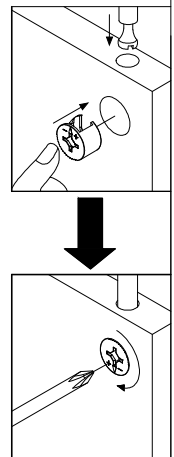
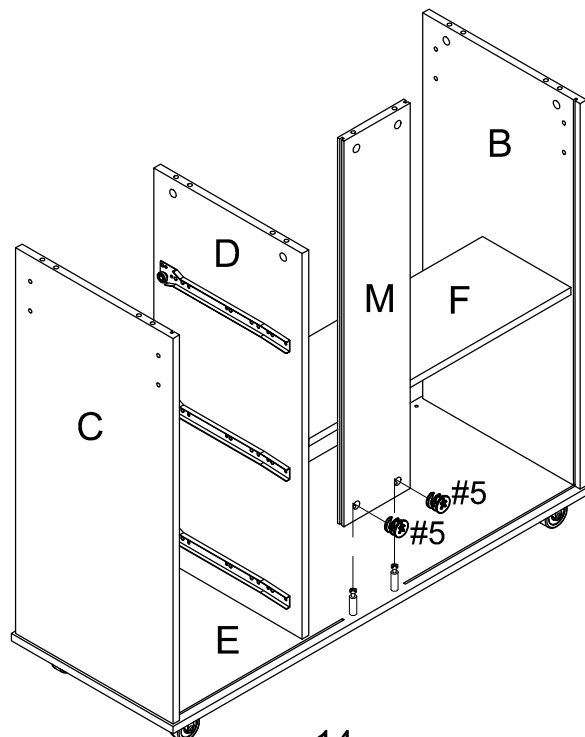
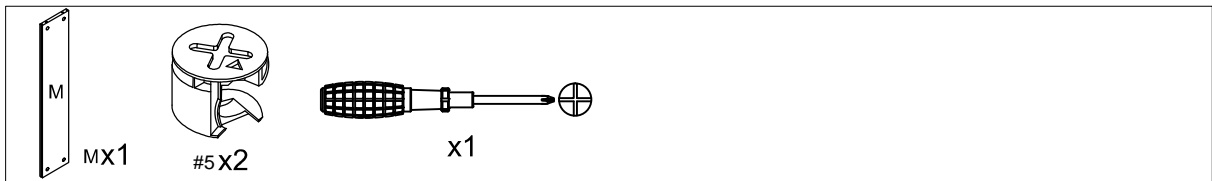
x1



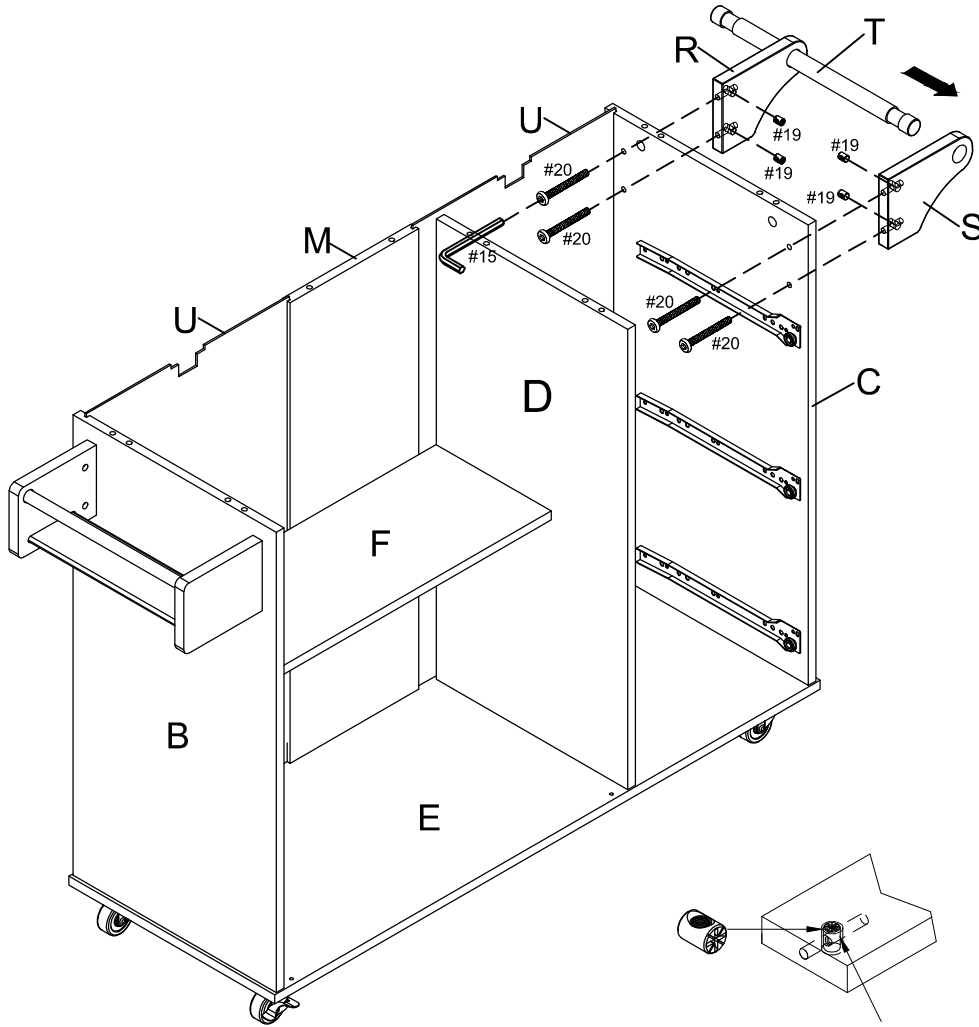
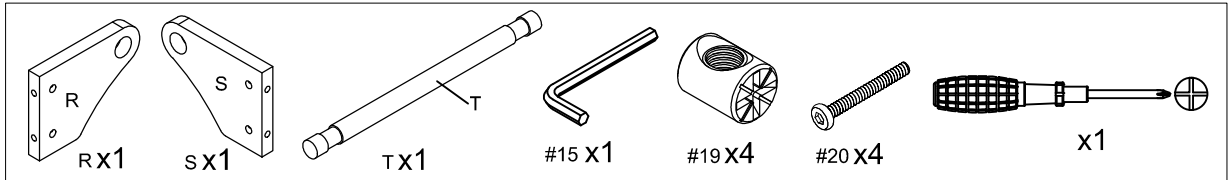
Step 11.



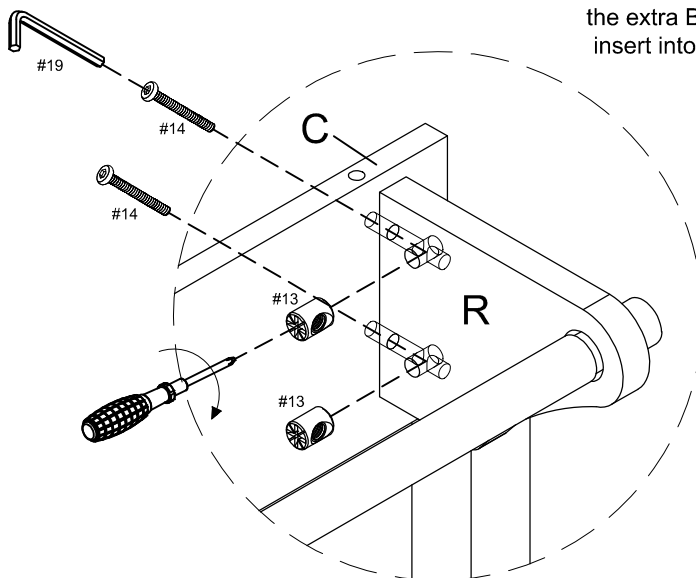
Step 12.



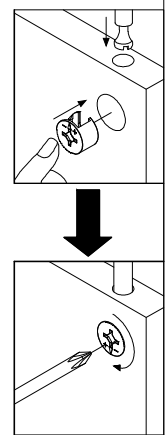
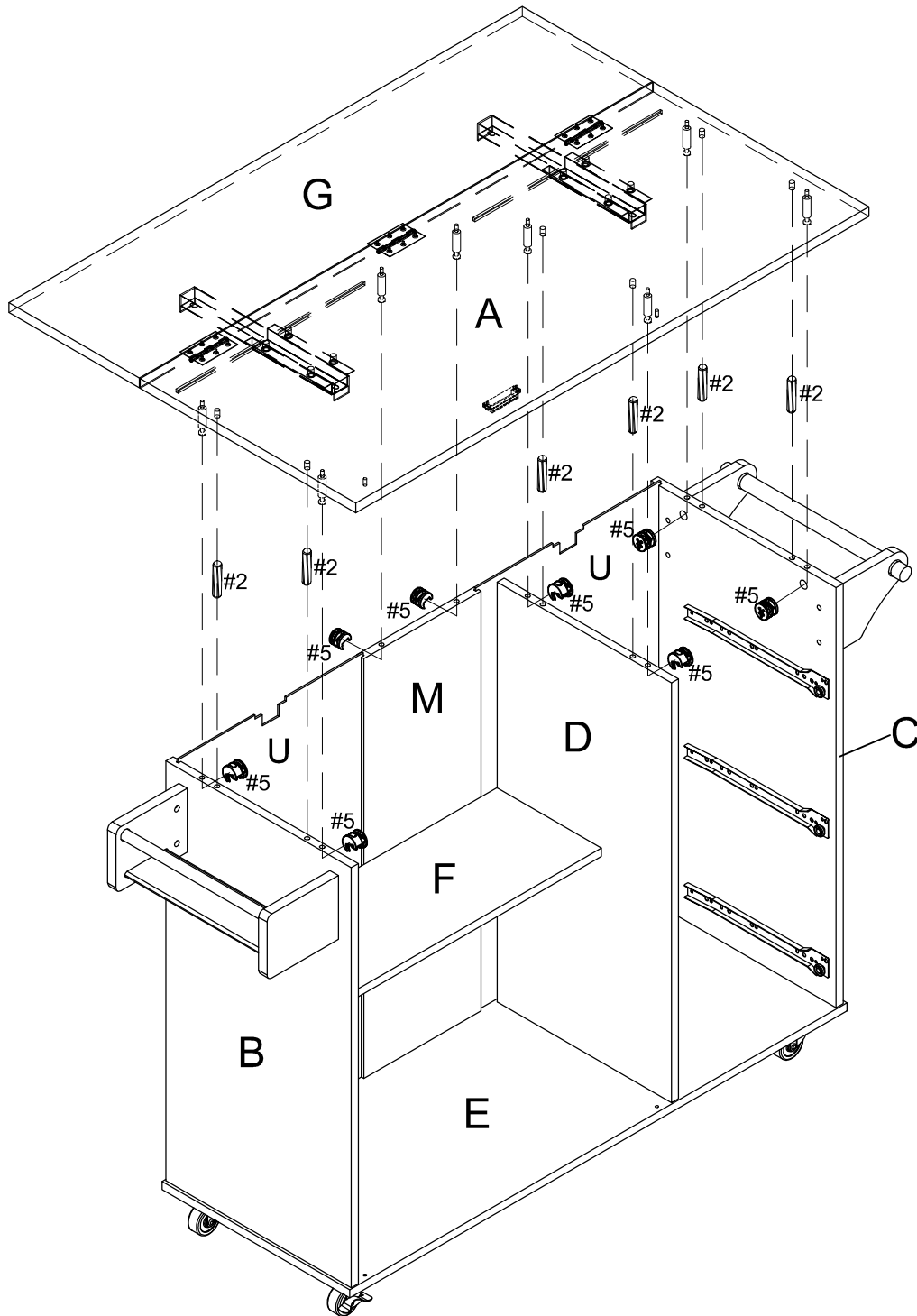
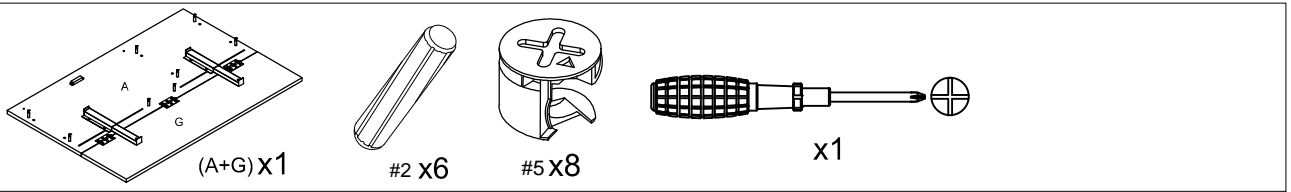
Step 15.



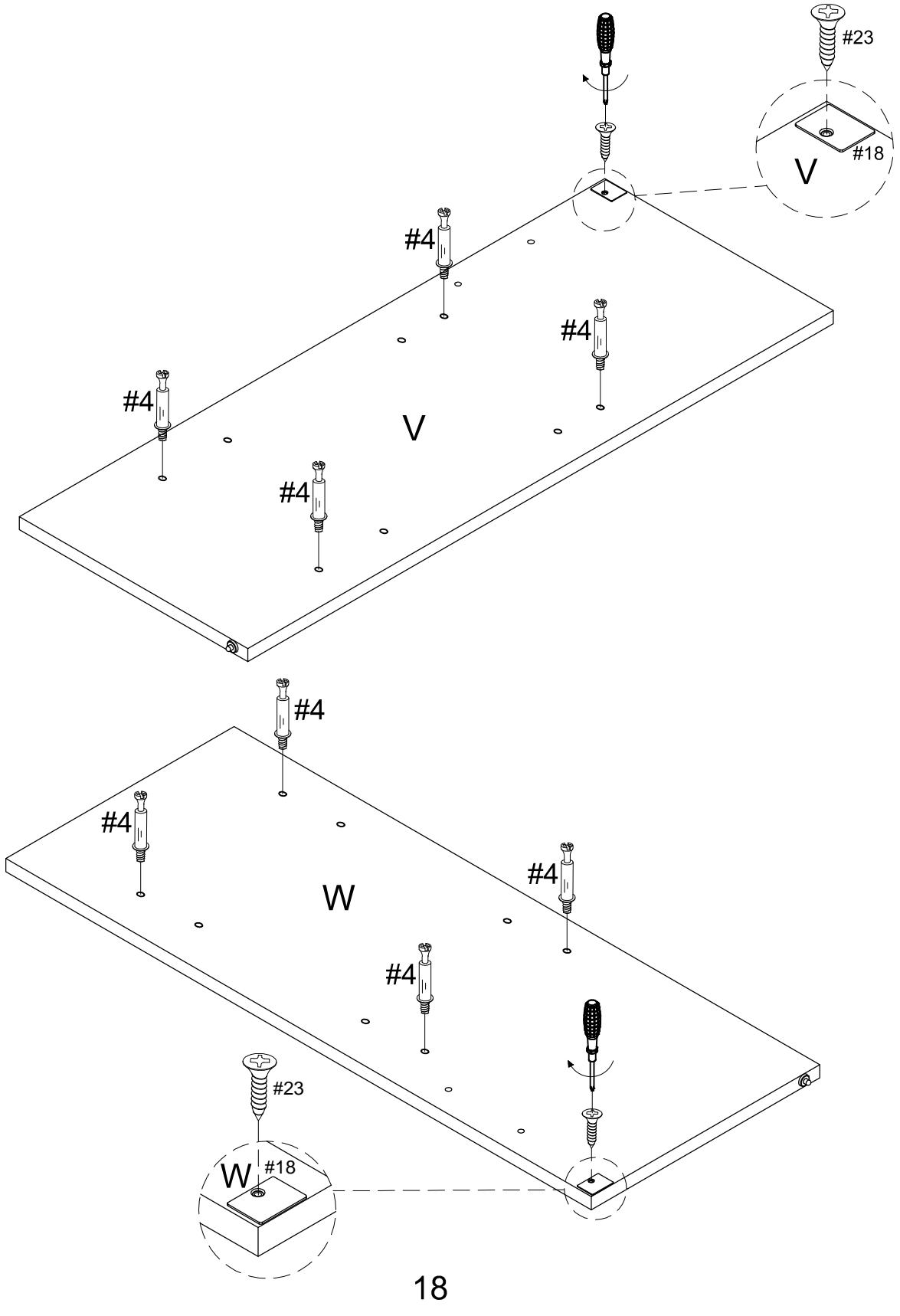
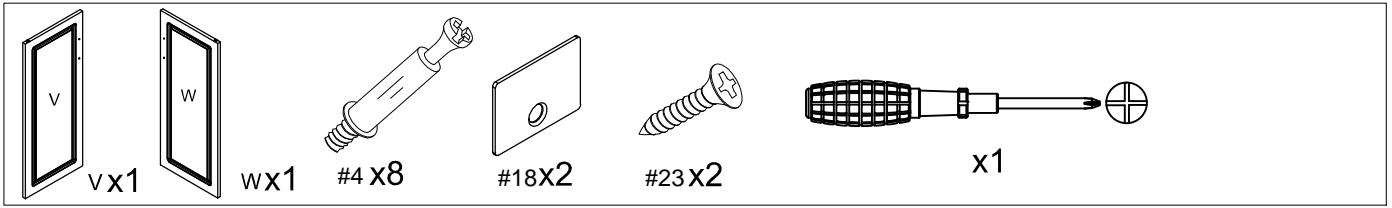
If Barrel Nut is missing in a part, use the extra Barrel Nut provided to insert into this hole.



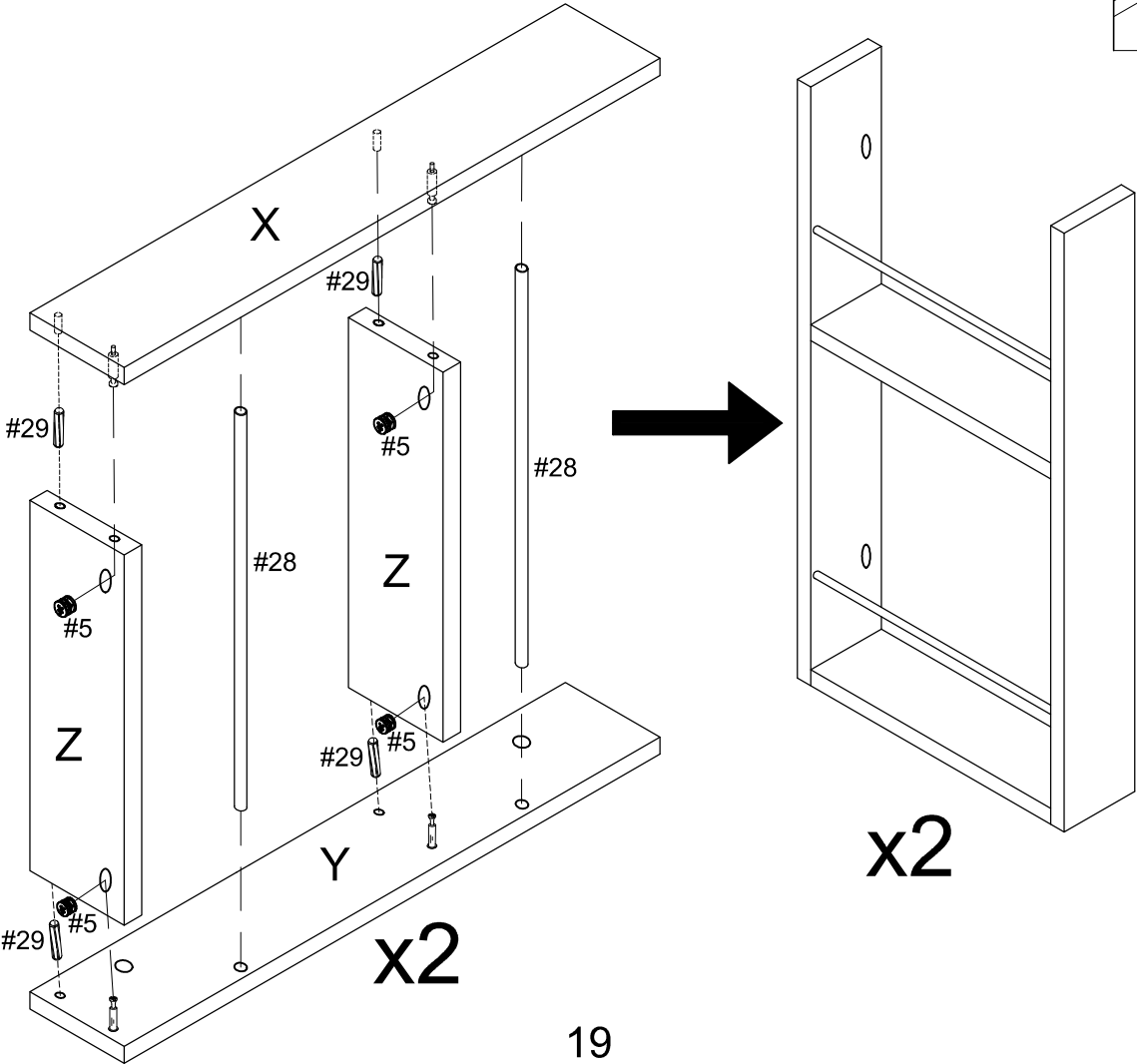
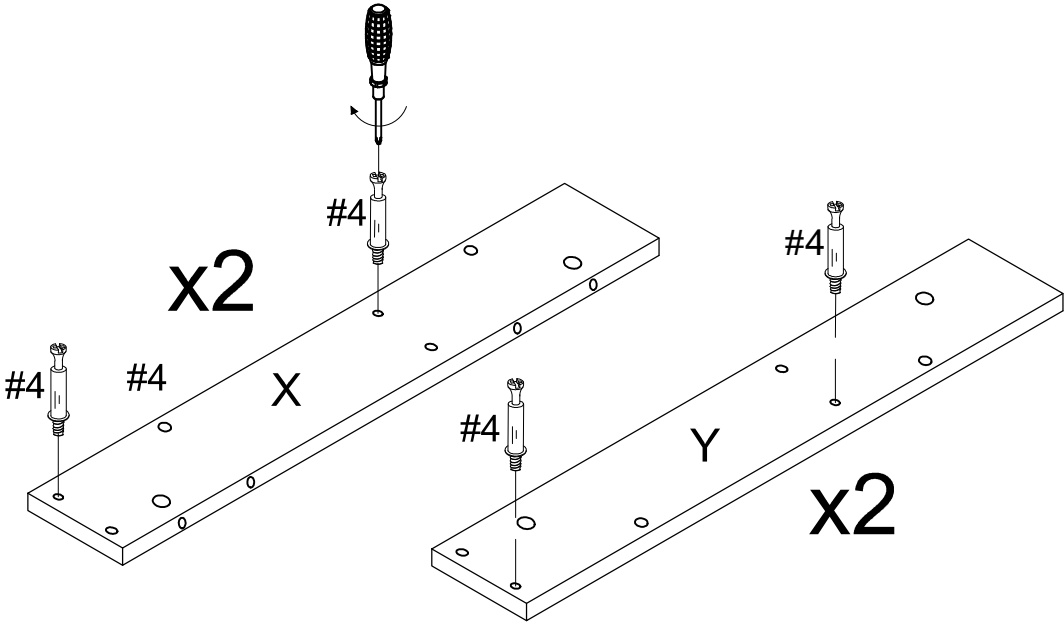
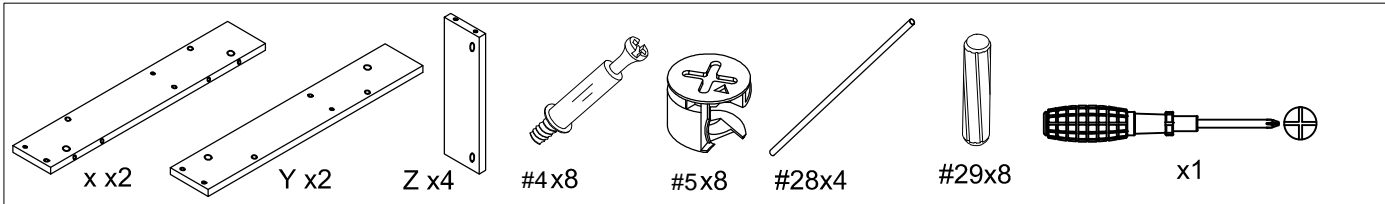
Step 16.



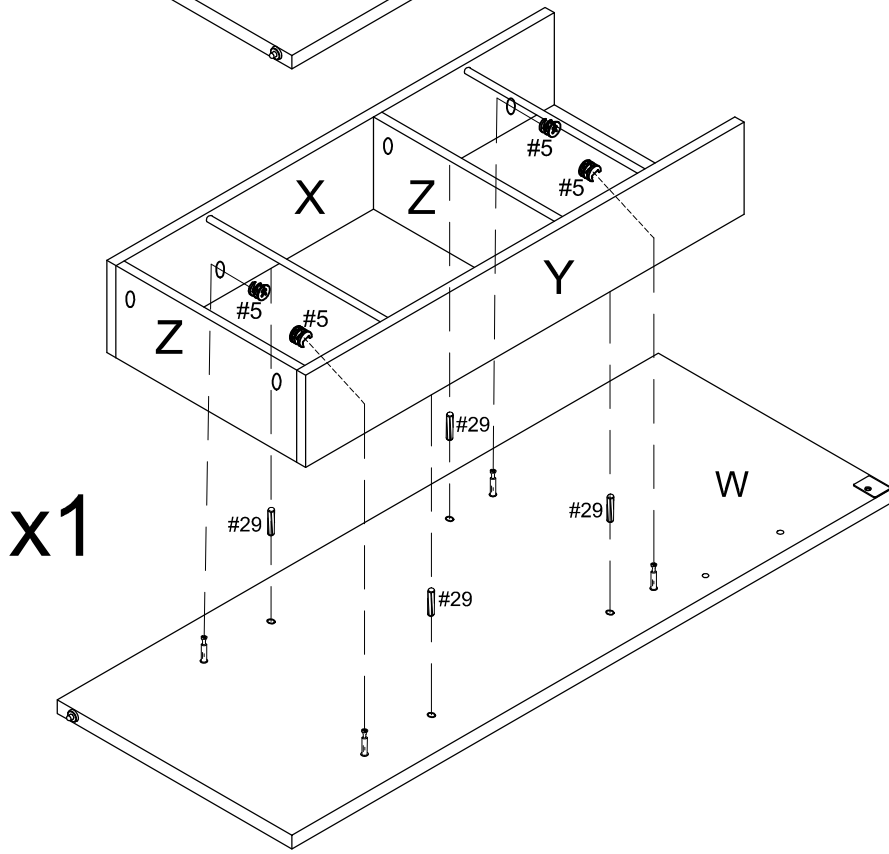
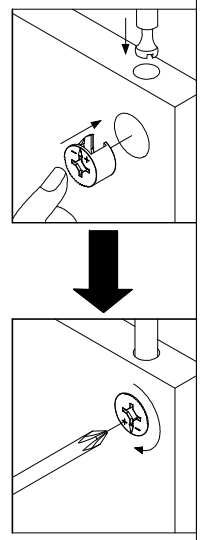
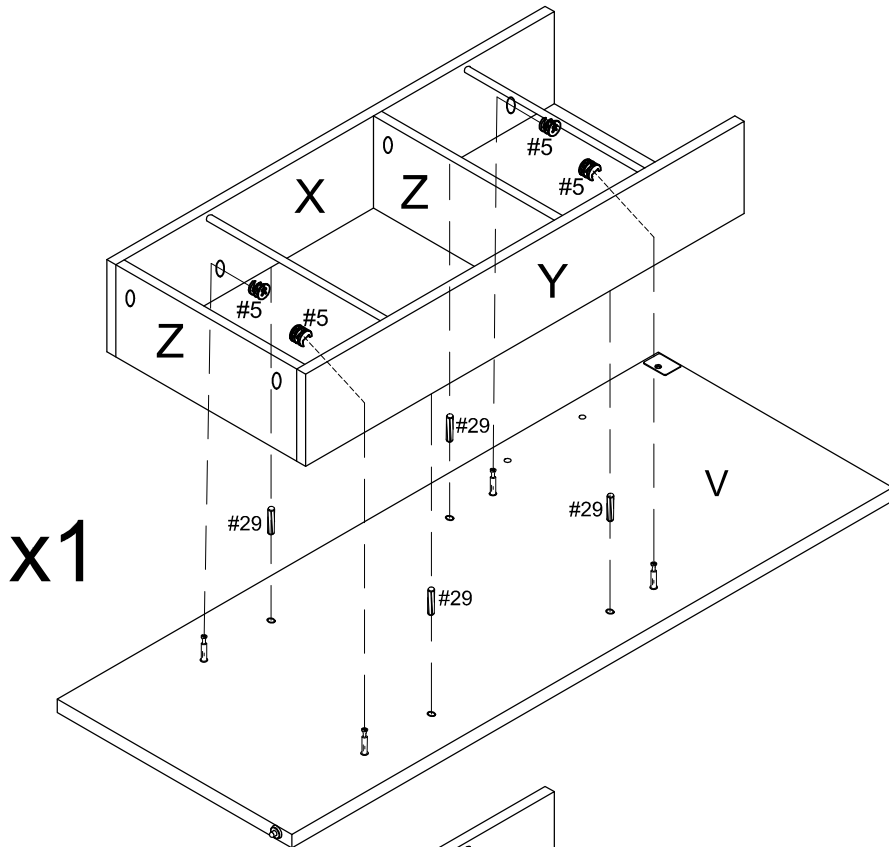
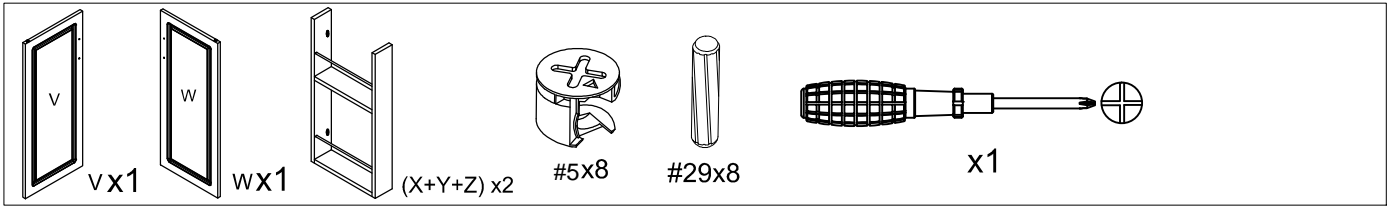
Step 17.



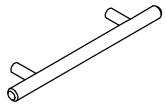
Step 18.



Step 19.



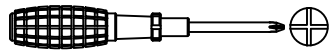
Step 20.



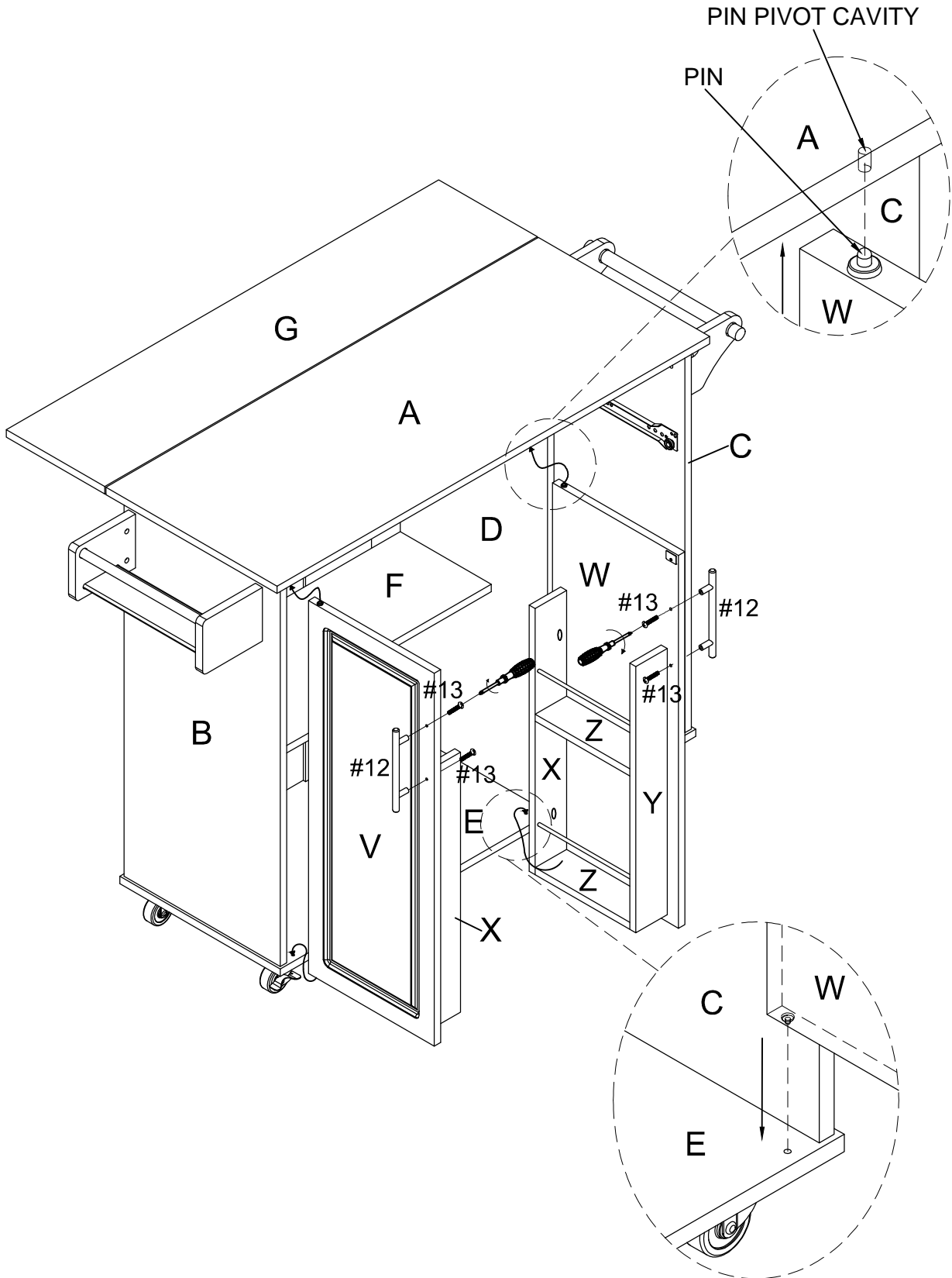
#12x2



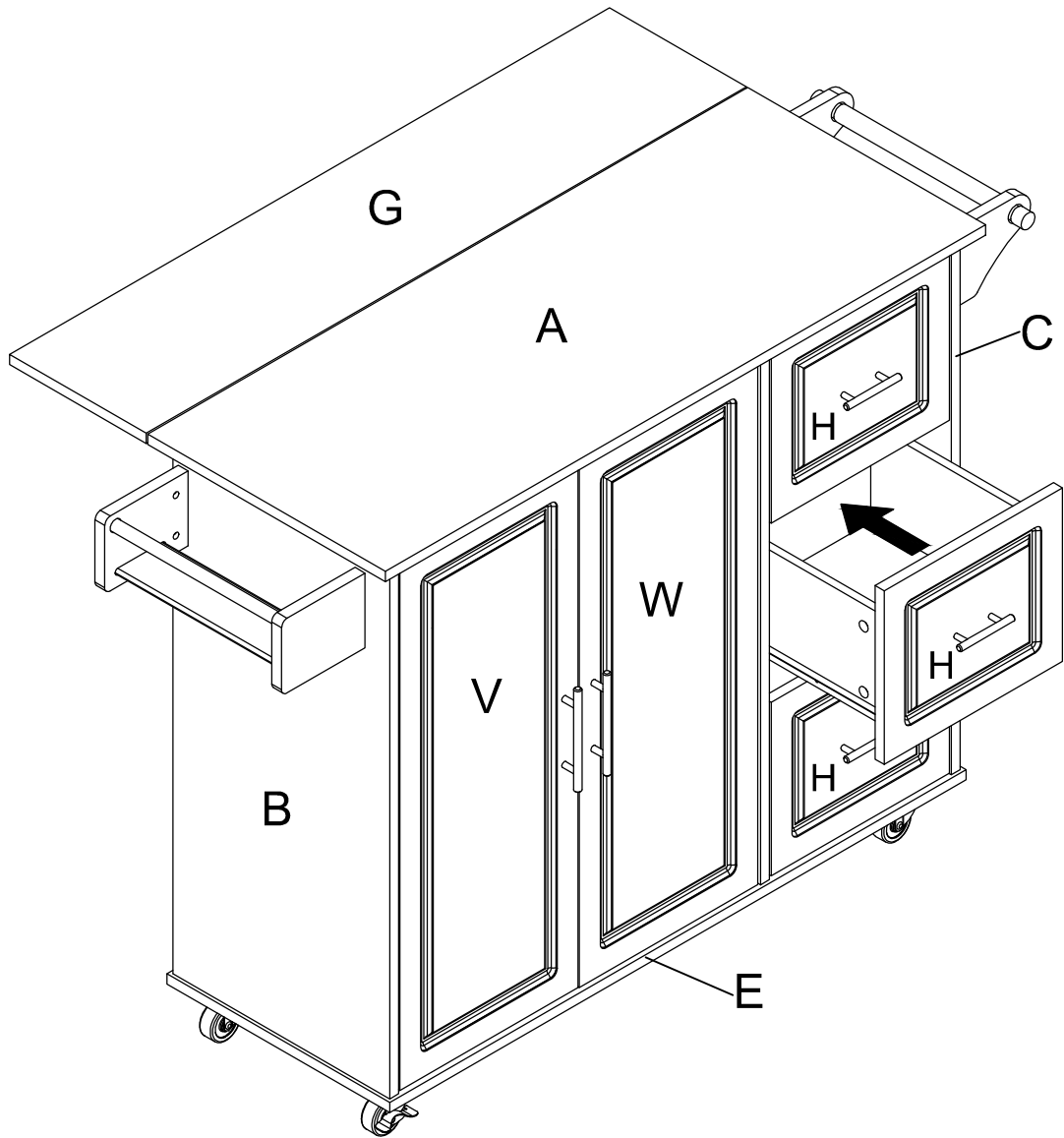
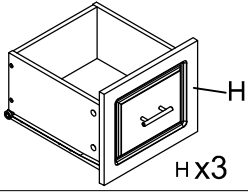
#13x4



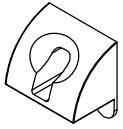
x1



Step 21.



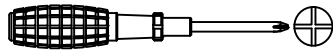
Step 22.



#9x12



#10x12



x1

