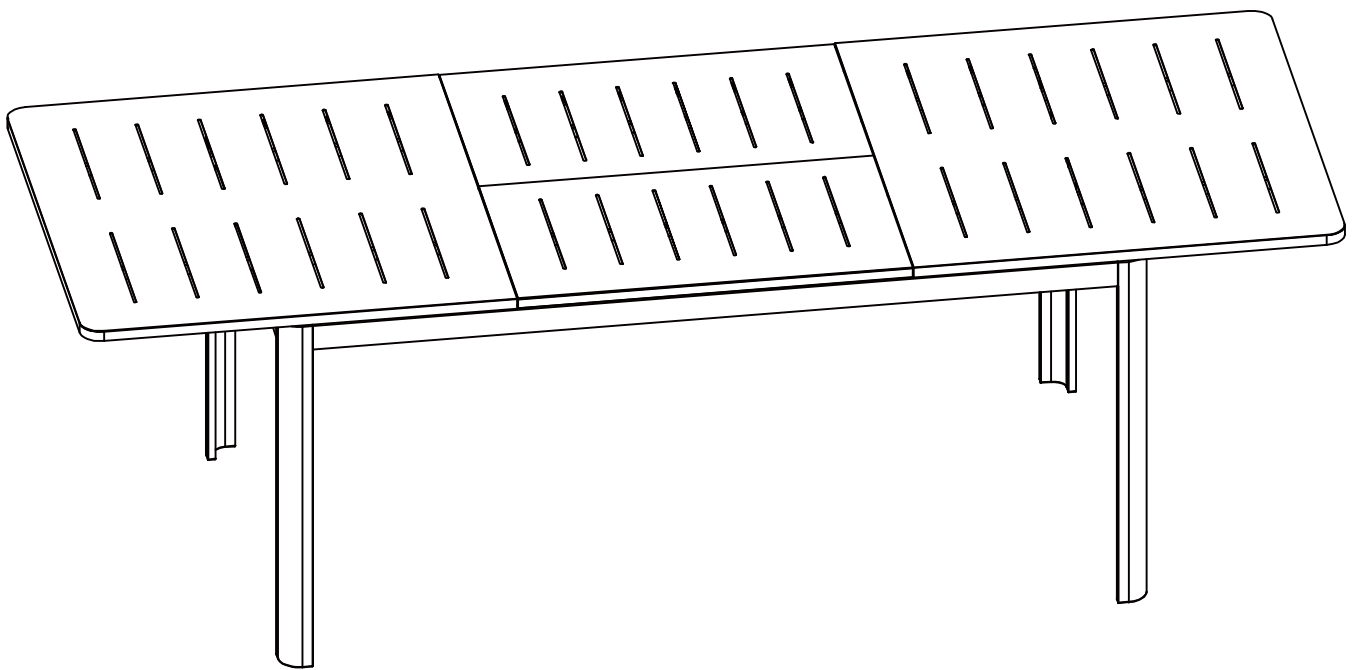
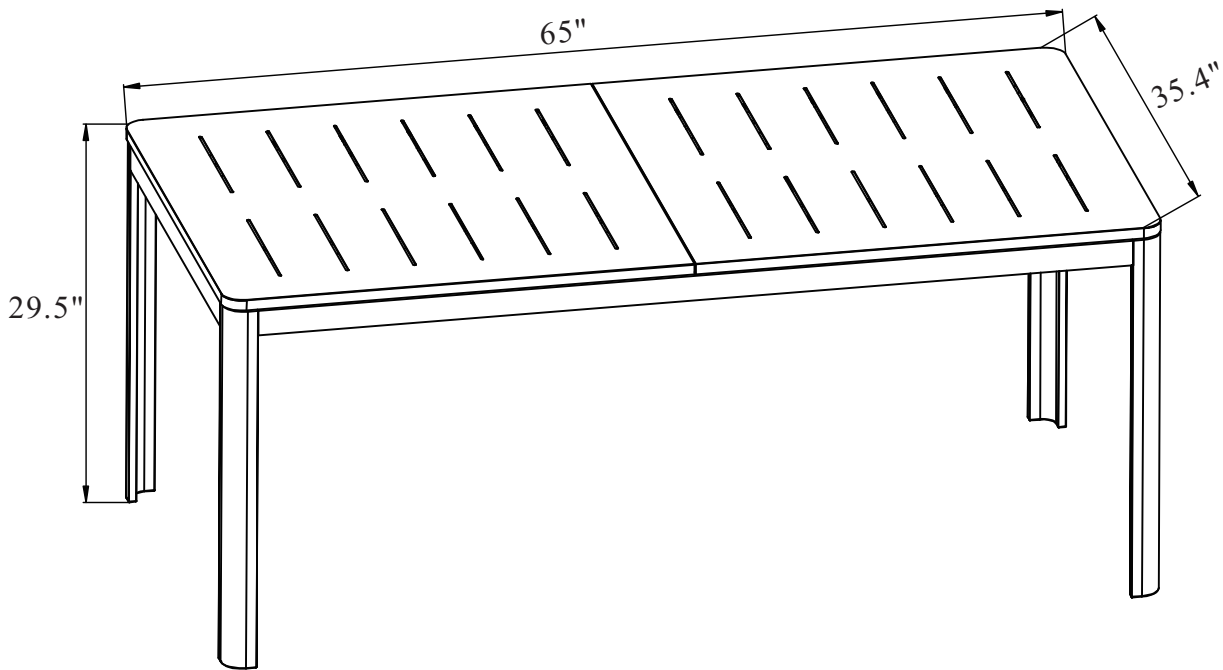
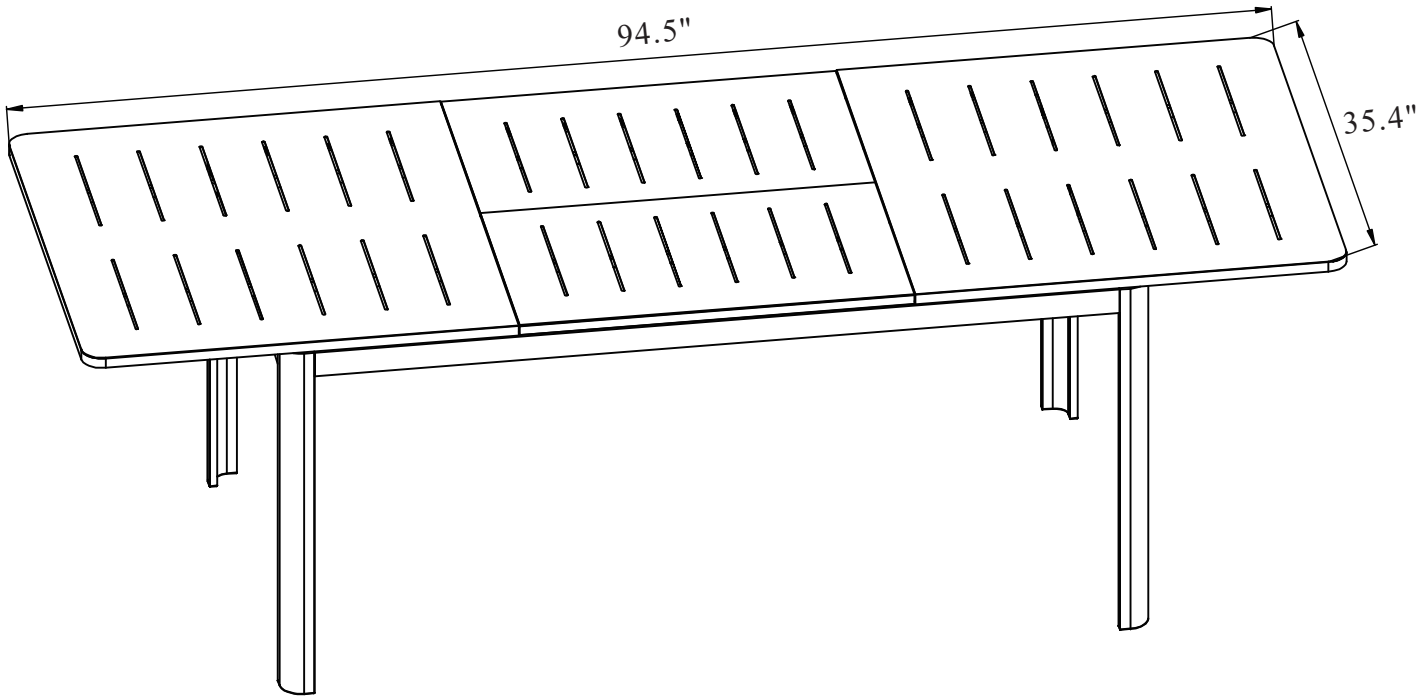
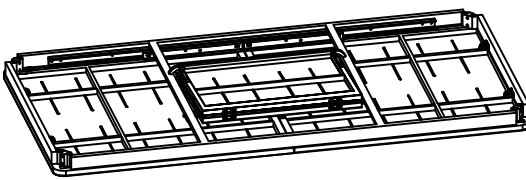
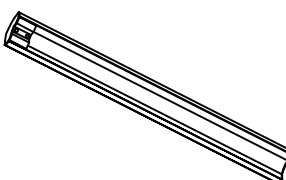





7.8'×2.9' Extendable Aluminum Dining Table

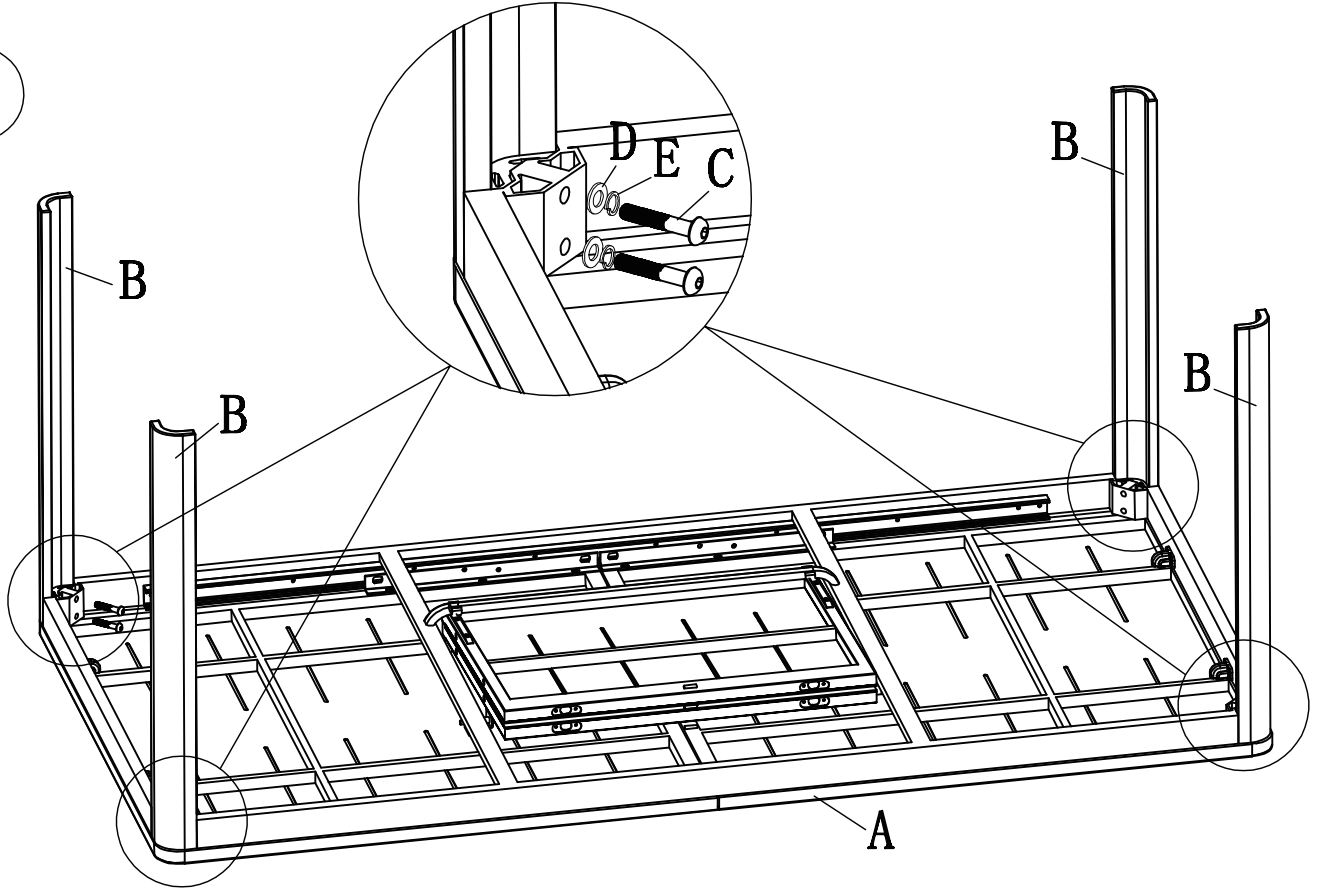
Assembly Instructions





				 M8*50	C 8PCS		E 8PCS
					D 8PCS	F 1PC	
A	1PC	B	4PCS				

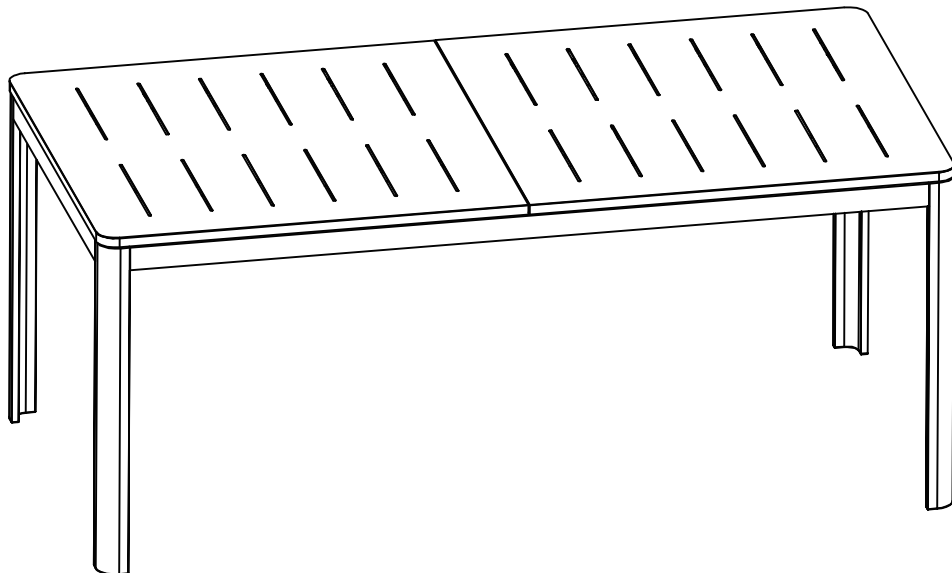
①



Step 1: Install part B(Table Leg) on Part A(Tabletop) with Part D (flat Washer), Part E (Split Lock Washer) and Part C(Screw).

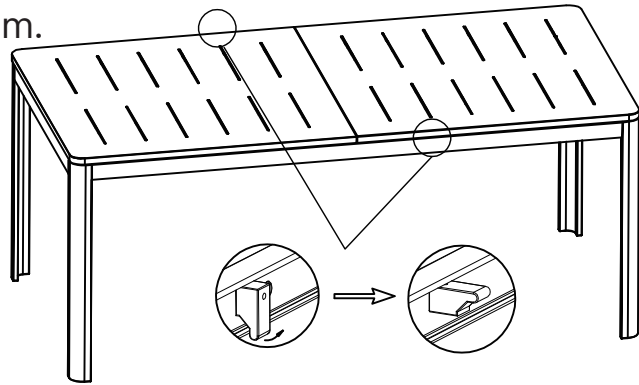
Step 2: Turn the table over.

②

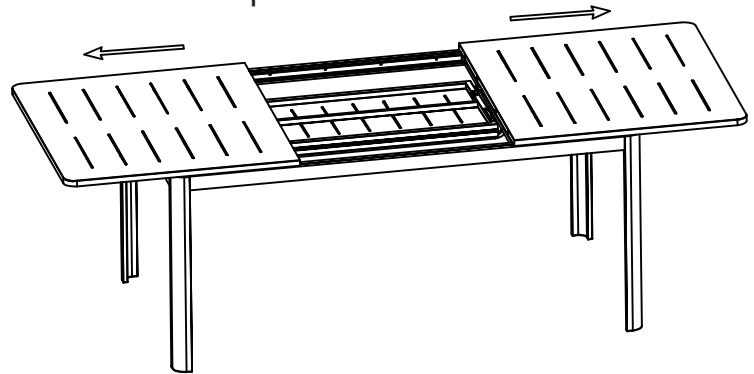


How to Use the Extendable Aluminum Dining Table

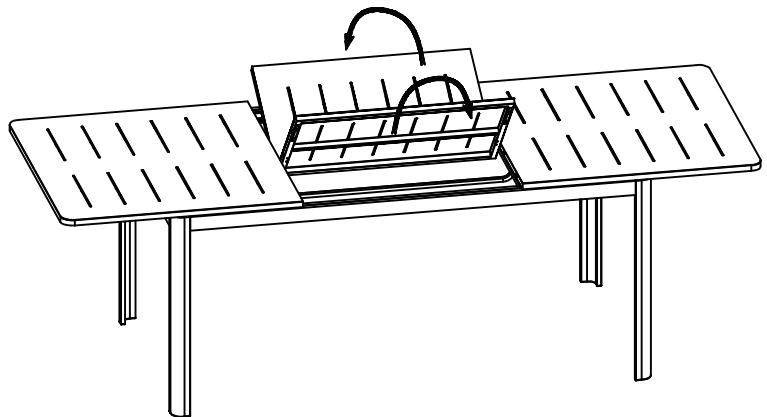
- 3 Step 1: Unlock the latches under the table edge on both sides from the beam.



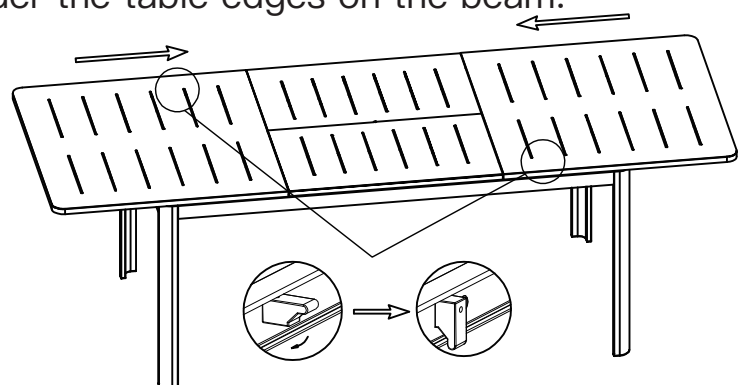
- 4 Step 2: Pull the two sides of the table top to the sides.



- 5 Step 3: Flip up the two small tabletops in the middle.



- 6 Step 4: Push the tabletops on both sides to the middle and buckle the latches under the table edges on the beam.



Thanks for your purchase.

We believe in our products. That's why we provide a 12-month warranty and friendly, easy-to-reach after-sales service. So if you have any questions about our product and assembly-, please feel free to contact us.

Attach photos of damaged part for instant reply.