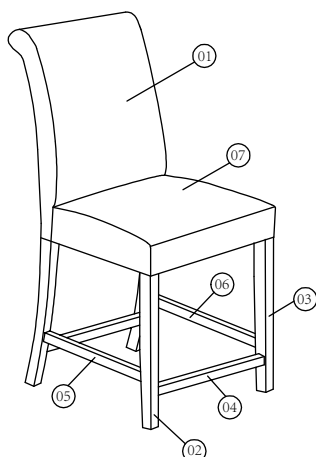


ASSEMBLY INSTRUCTION

Thank you for purchasing this product. Please take time to read and follow the instruction below. Check that you have all parts and hardware before assembly. Parts apparently missing are often found in the packing materials. If you do not have all parts listed, have your dealer contact us and they will be sent to you immediately.



It is recommended to install protective pads under all legs and support to avoid damage or scratches when placing furniture on a wood floor or other hard surface, and to limit indentation and prevent discoloration if placing on carpet.



PART LIST

- ① BACK REST - 1 PC
- ② LSF LEG - 1 PC
- ③ RSF LEG - 1 PC
- ④ FRONT STRETCHER - 1 PC
- ⑤ SIDE STRETCHER (L) - 1 PC
- ⑥ SIDE STRETCHER (R) - 1 PC
- ⑦ SEAT CUSHION - 1 PC

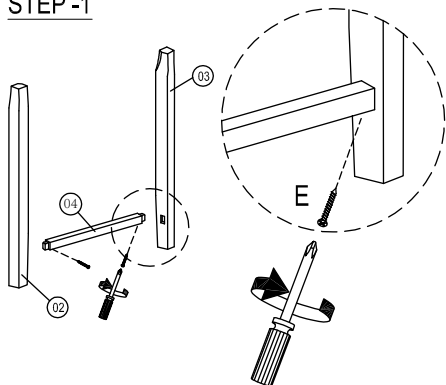
HARDWARE LIST

NO	DESCRIPTION	QTY
A	JCBC SCREW 90mm 	4
B	JCBC SCREW 55mm 	5
C	FLAT WASHER 	9
D	SPRING WASHER 	8
E	SCREW M4 X 38mm 	6
F	ALLEN KEY 	1

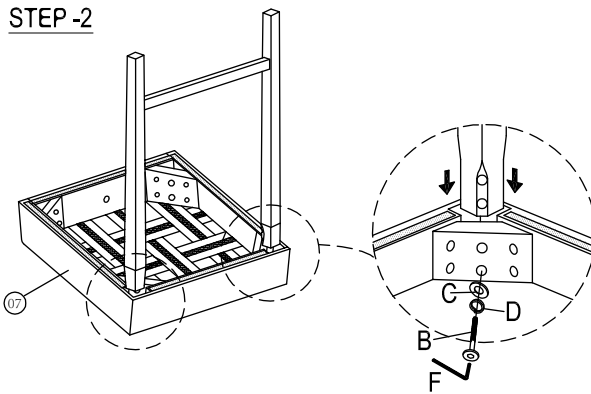
* NOTE *

DO NOT TIGHTEN ALL THE SCREWS UNTIL THE CHAIR HAS BEEN PUT ON A FLAT SURFACE TO ADJUST & LEVEL ALL THE LEGS SO THAT THEY DO NOT WOBBLE ONCE ADJUSTED THEN TIGHTEN ALL THE SCREWS.

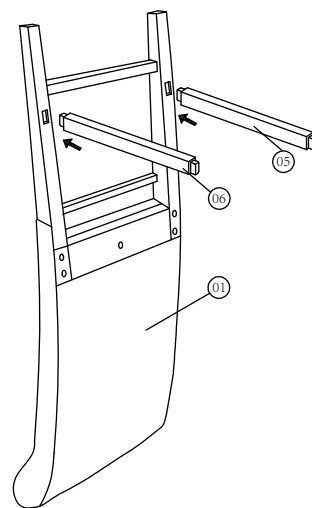
STEP-1



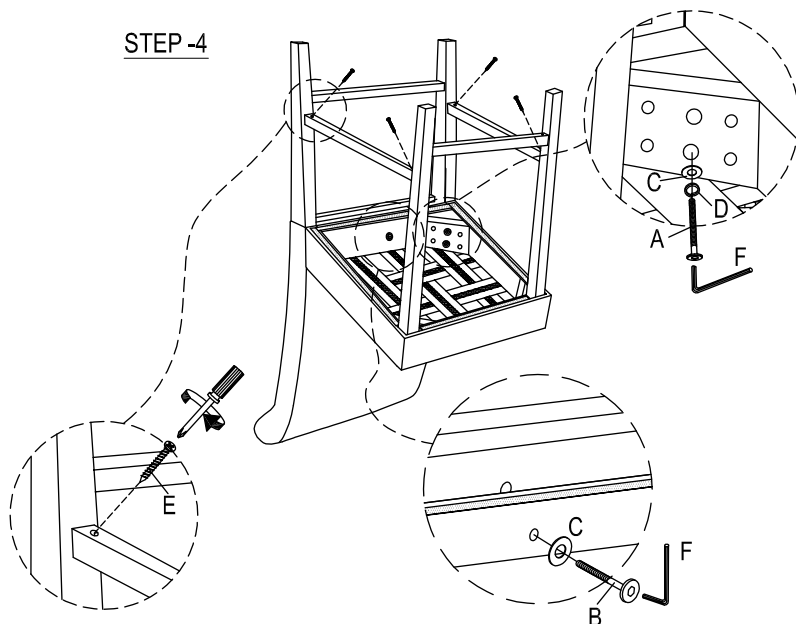
STEP-2



STEP-3



STEP-4



ASSEMBLY COMPLETE

