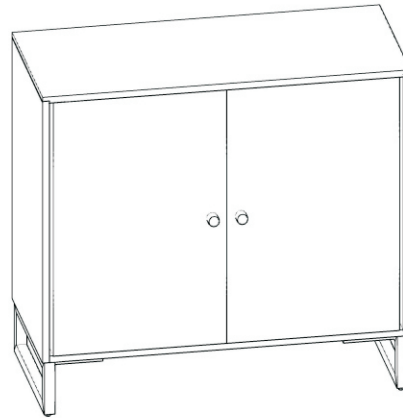


ASSEMBLY INSTRUCTIONS.

ARTISTS SIDEBORD SMALL




PP-1015-02








THANK YOU FOR YOUR PURCHASE!

PARTS AND HARDWARE.

PARTS LIST

No.	DESCRIPTION	IMAGE	Q'TY
P1	BODY		1
P2	METAL LEGS		2
P3	MIDDLE LEG		1

HARDWARE LIST

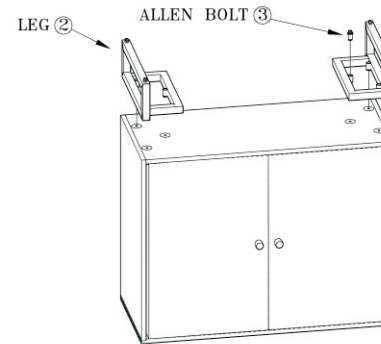
NO.	DESCRIPTION	IMAGE	QTY.
H1	ALLEN BOLT (DIA 6X35 MM)		6
H2	ALLEN WASHER (DIA 16X6X1 MM)		6
H3	ALLEN KEY (5X85 MM)		1
H4	ADJUSTER (15X12X6 MM)		4
H5	ANTI TIPPING KIT		1 SET

NOTES.

Thank you for purchasing this quality product! Be sure to check all packing material carefully for small part that may have come loose inside the carton during shipping.

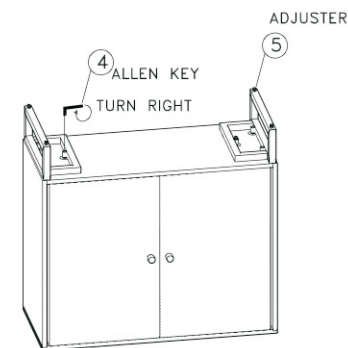
CAUTION: The item is heavy, assembly should be performed by two people.

STEP 1.



PLACE THE LEGS ON THE MATCHING HOLES

STEP 2.



USE THE ALLEN KEY TO SCREW THE ALLEN BOLT.