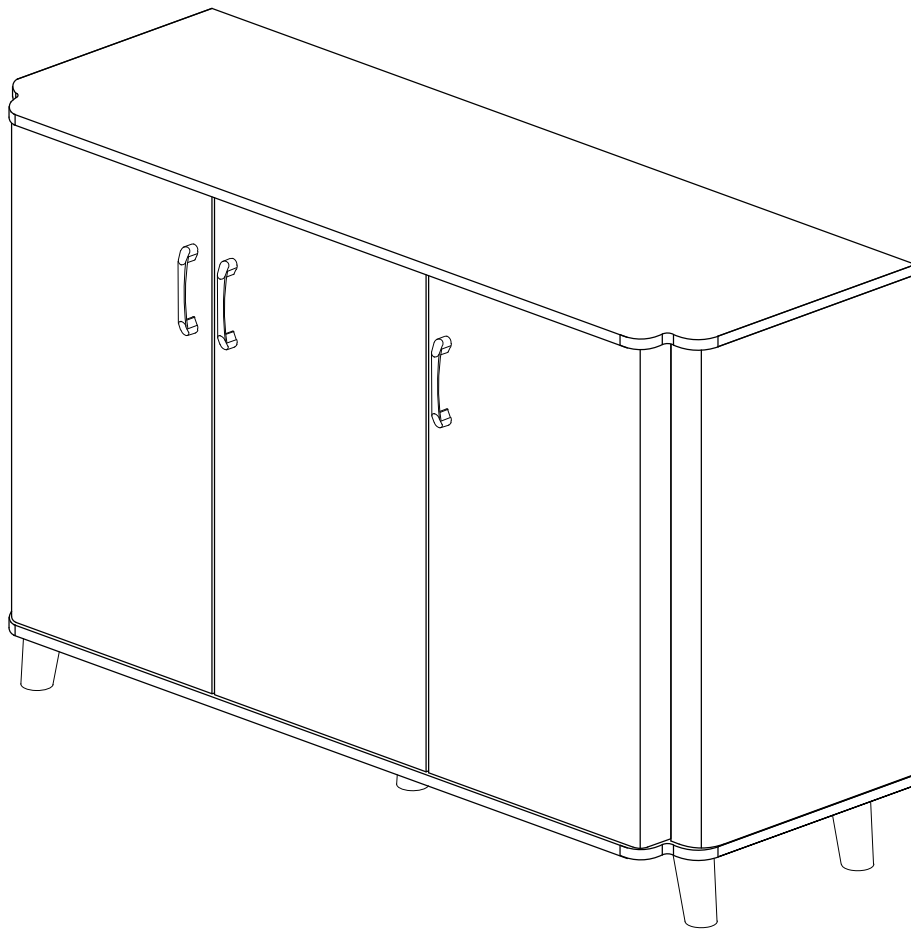


Sideboard Cabinet

SKU WHIF2625



ASSEMBLY INSTRUCTIONS



80 min. assembly

2 person

*The estimated assembly time may vary depending on the individual.

Hey, there

Now is assembly time!

Deeeeep breathe.... and again....
Tools ready,
Easy peasy!

Estimated



80 min. assembly
2 person

Tools Required

- Allen Wrench(included)
- Phillips screwdriver(not included)

important: *Cautious when you use power tools*

Need Help?

Call us at +1 909 548 6688
Email customerservice@luxenhome.com
Submit a ticket on www.luxenhome.com/help

Thank you for purchasing this LuxenHome product. This product has been manufactured with the highest standards of safety and quality.

PLEASE READ ALL INSTRUCTIONS CAREFULLY BEFORE ASSEMBLY.

Unpack all parts from the packaging inside the carton to ensure there are no missing or damaged parts. Lay out all the parts on a clean, flat, and soft surface to prevent scratches. Refer to the steps provided as assembling guide.

Do not attempt to assemble or use the product if any parts are missing or damaged.

REMINDERS

SAFE USAGE IS KEY

Your well-being is our top priority when you use our product. Please prioritize your safety by diligently following the assembly guidelines and inspecting the product carefully both when it arrives and before each use.

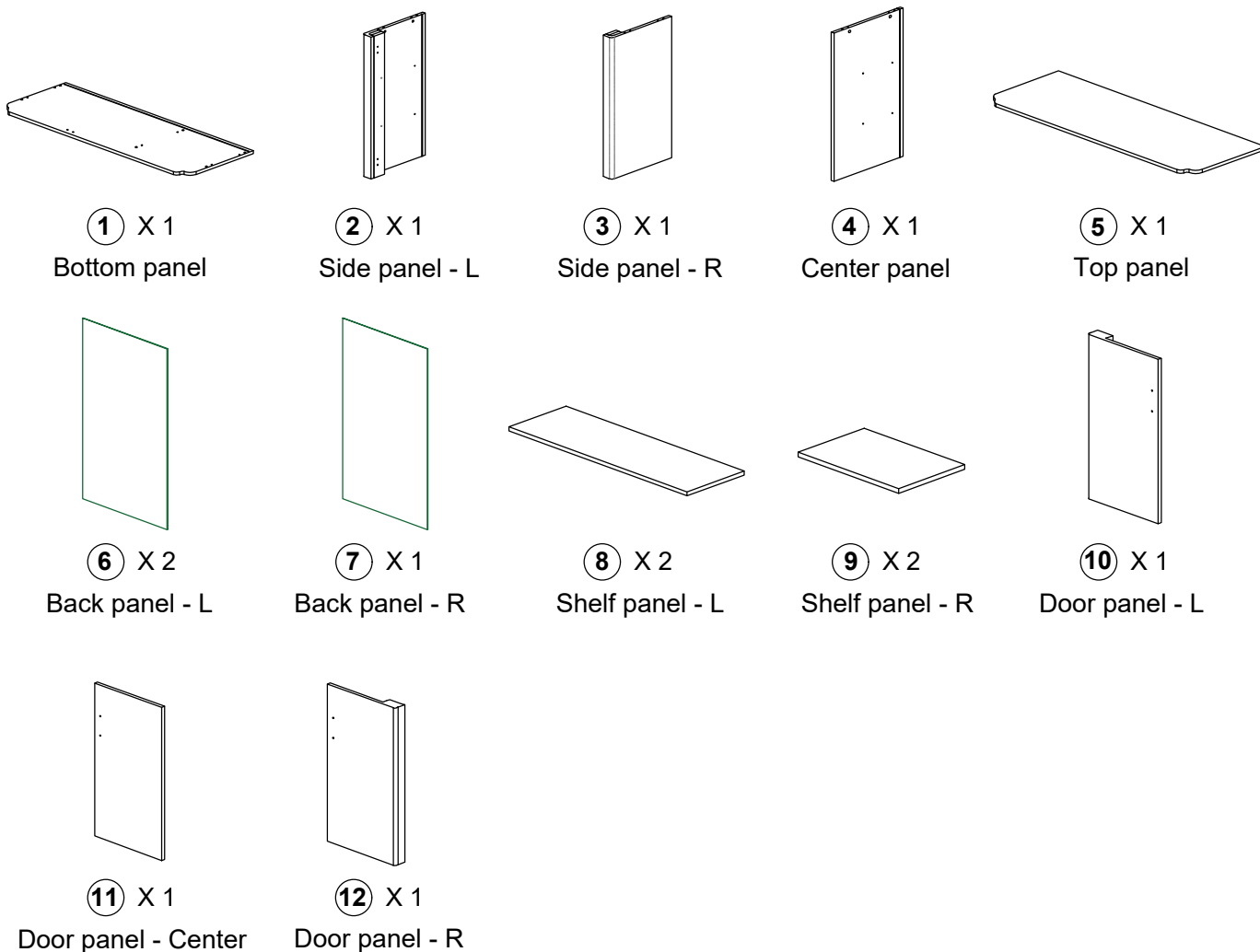
Please be aware that LuxenHome and Winsome House, Inc. cannot be held liable for any injuries or fatalities that occur due to not adhering to the provided instructions or misuse of the product.

DO NOT MODIFY

Our products undergo rigorous testing to ensure they meet established safety standards before being released for sale. Altering the product in any way can lead to serious safety concerns, for which LuxenHome cannot assume responsibility.

What's in the box

Parts



What's in the box

Hardware & Accessory



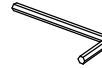
A1 X 6
Minifix cam



A2 X 6
Minifix bolt



A3 X 6
Minifix cap



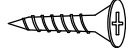
A5 X 1
Allen key



B X 12 (+2)
Wood dowel
M8 x 25mm



C X 6
Cb screw
M4 x 45mm



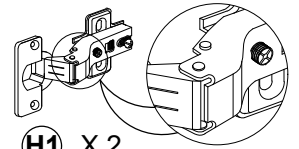
D X 61 (+4)
Cb screw
M3.5 x 16mm



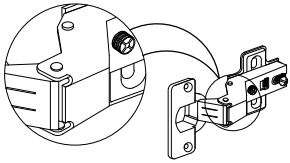
F X 5
192 STUD



G X 6
PVC corner
L bracket



H1 X 2
Hinges 2/8



H2 X 4
Hinges 7/8



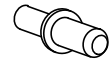
I X 2
2 Pin
stopper



J1 X 3
Tad 23-96
PVC handle



J2 X 6
Cb screw
M4 x 28mm



K X 16 (+2)
Shelf support

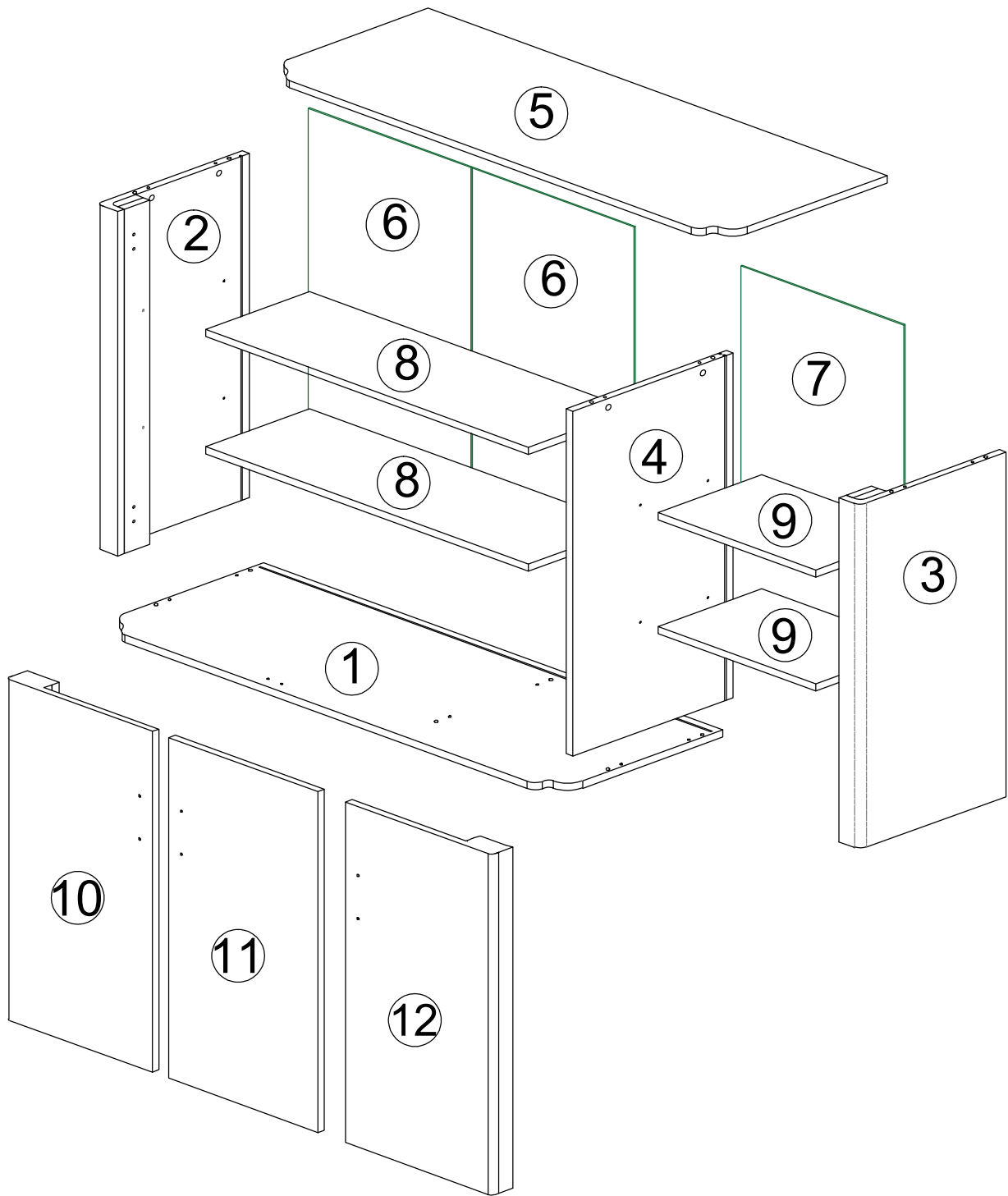


L X 5
120mm round
taper PVC leg



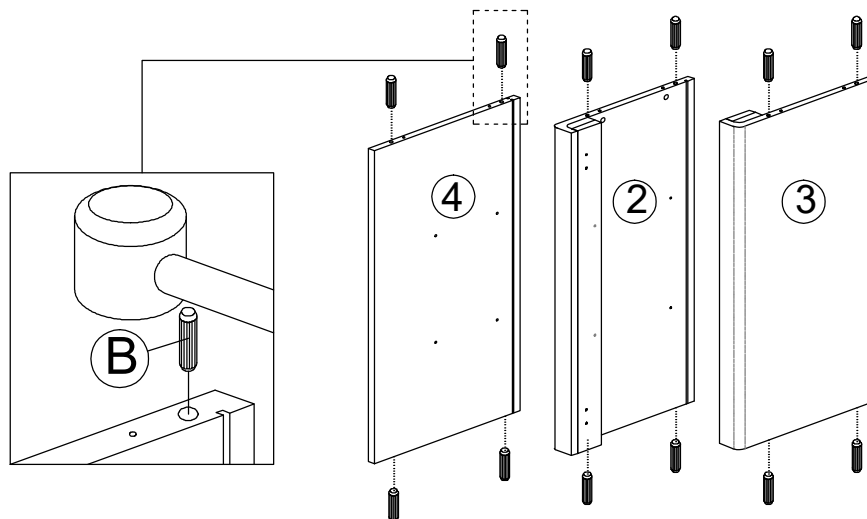
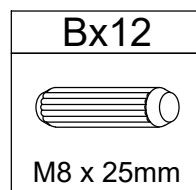
M X 1
3mm PVH
- 767mm

Assembly



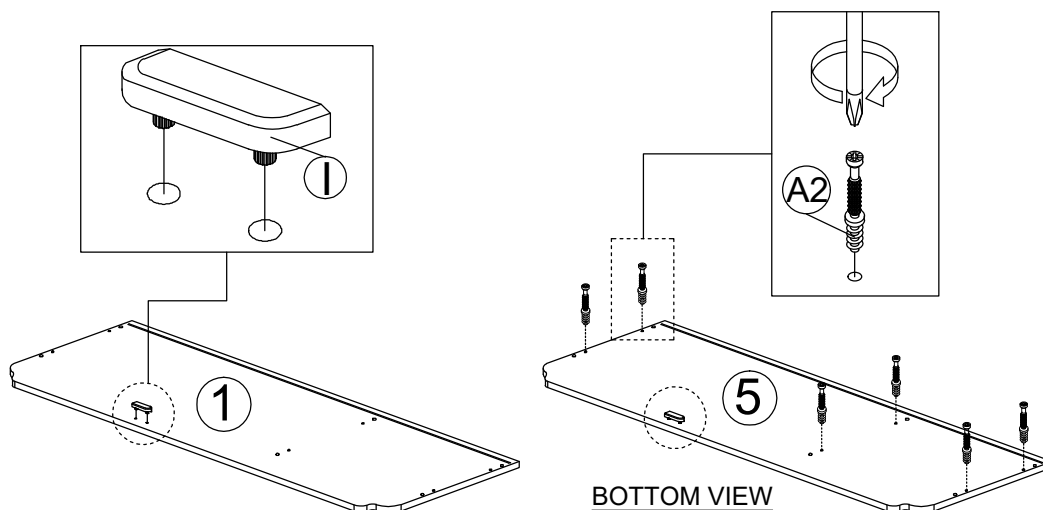
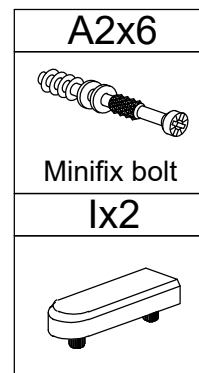
Step 1

Insert hardware (B) into panel (2,3, & 4).



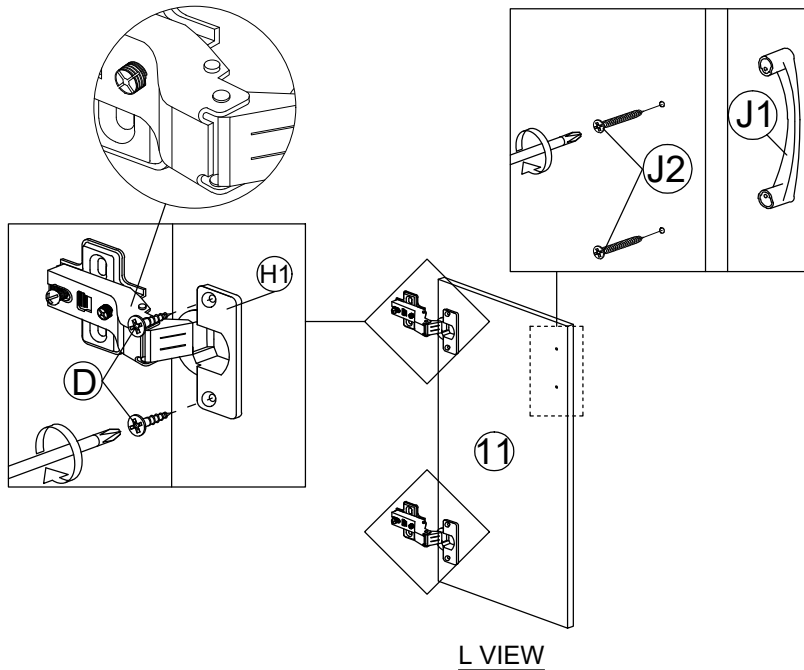
Step 2

Install and tighten hardware (A2) onto panel (5). Then, Insert hardware (I) onto panel (1 & 5) as shown.

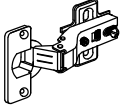

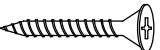


Step 3

Connect the hardware (H1) to panel (11) by using hardware (D).
Then, fix hardware (J1) onto panel (11) by using hardware (J2).

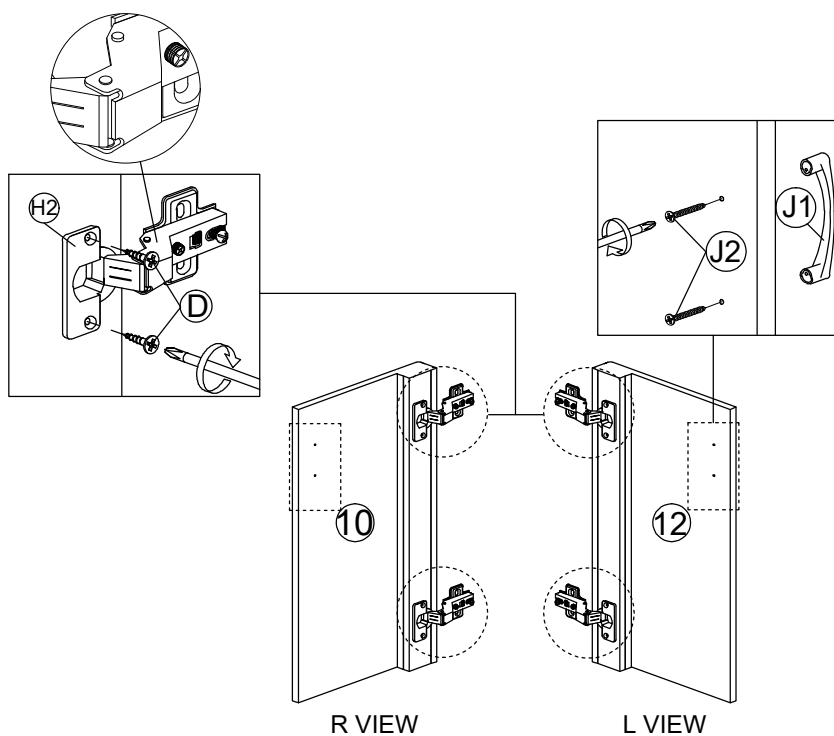


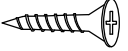
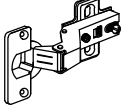

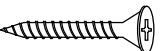
Dx4

M3.5 x 16mm
H1x2

J1x1

J2x2

M4 x 28mm

Step 4

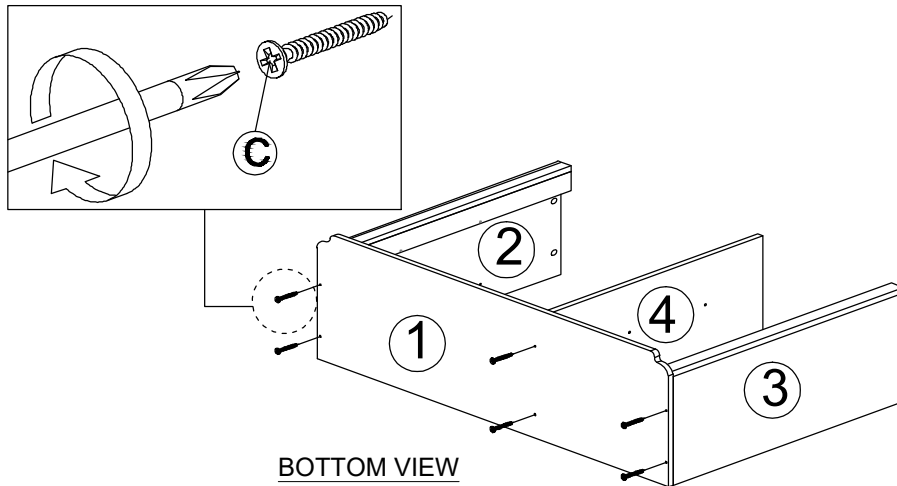
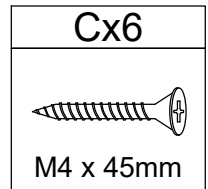
Connect the hardware (H2) to panel (10 & 12) by using hardware (D).
Then, fix hardware (J1) onto panel (10 & 12) by using hardware (J2).



Dx8

M3.5 x 16mm
H2x4

J1x2

J2x4

M4 x 28mm

Step 5

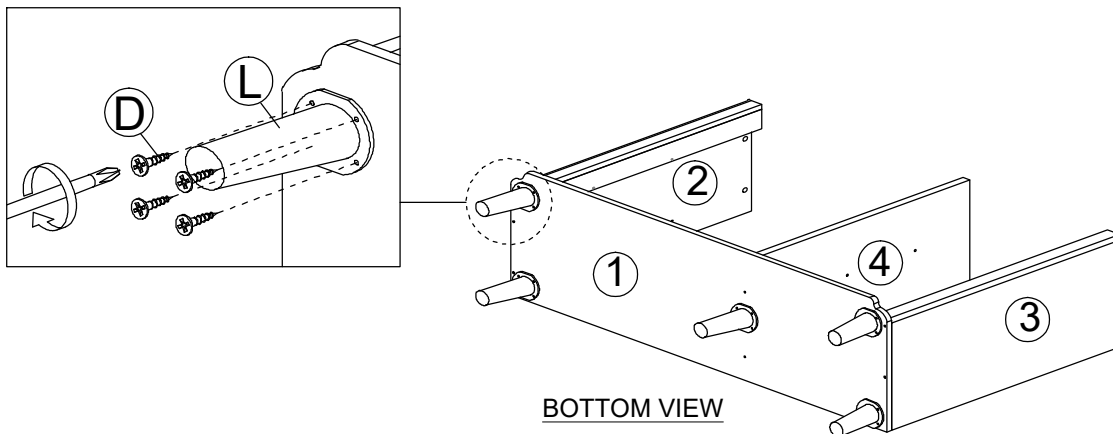
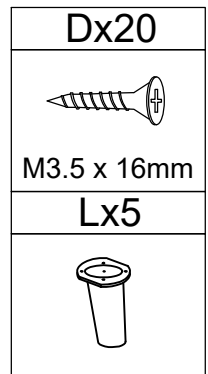
Connect the panel (1) to the panel (2,3 & 4) with hardware (C).



***2 PERSON REQUIRED**

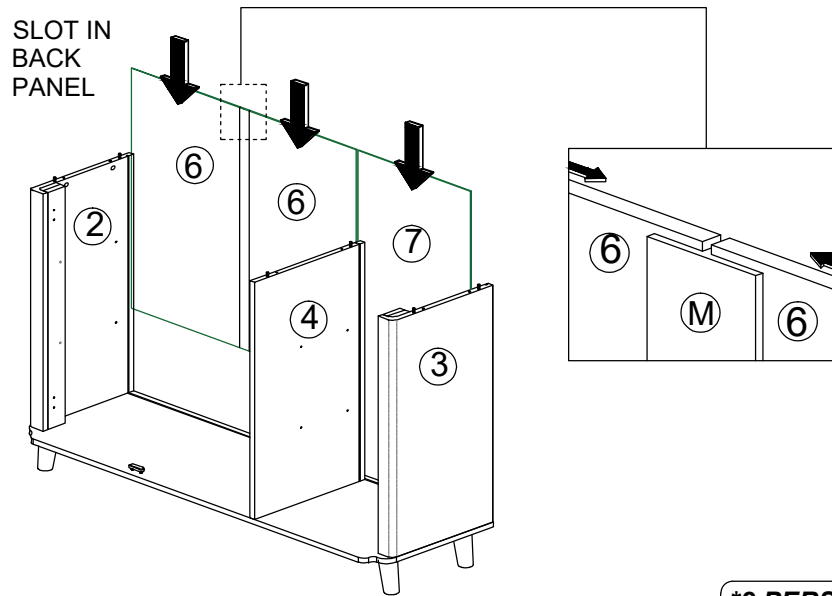
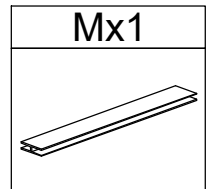
Step 6

Connect hardware (L) onto bottom side of panel (1) by using hardware (D).



Step 7

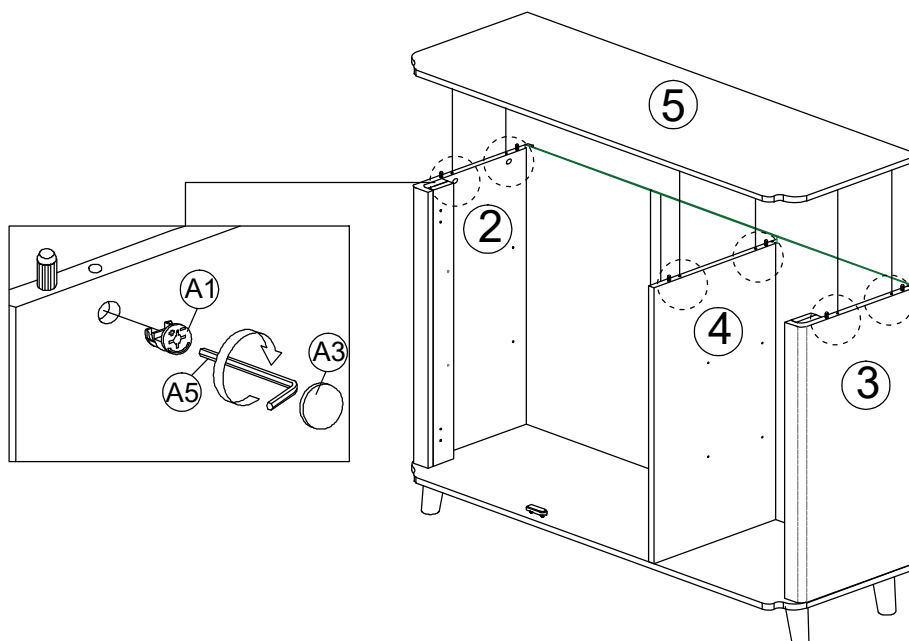
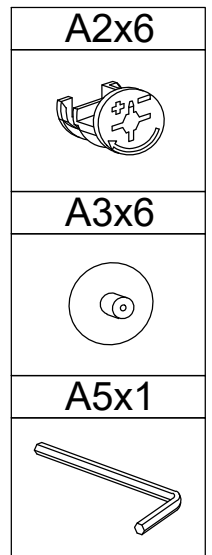
Insert back panel (6) together to hardware PVH (M). Then insert the back panels (6 & 7) between the panels (2,3 & 4).



***2 PERSON REQUIRED**

Step 8


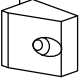
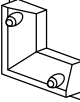
Connect the panel (5) to the assembled section panel (2,3 & 4) by using hardware (A1 & A5). Then, applied (A3) to all (A1).

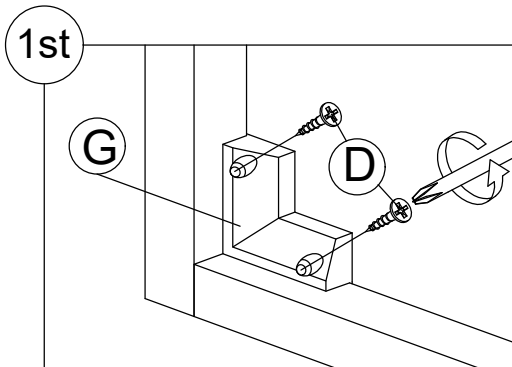
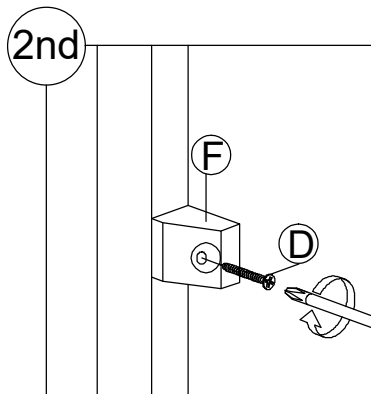
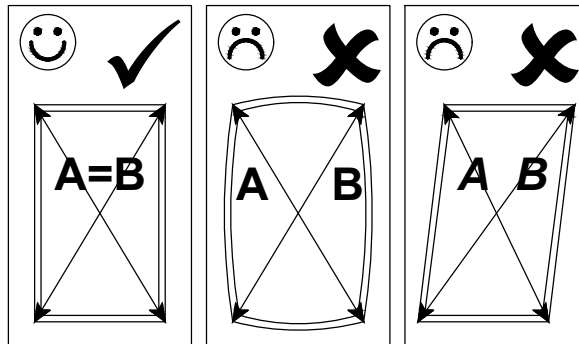


***2 PERSON REQUIRED**

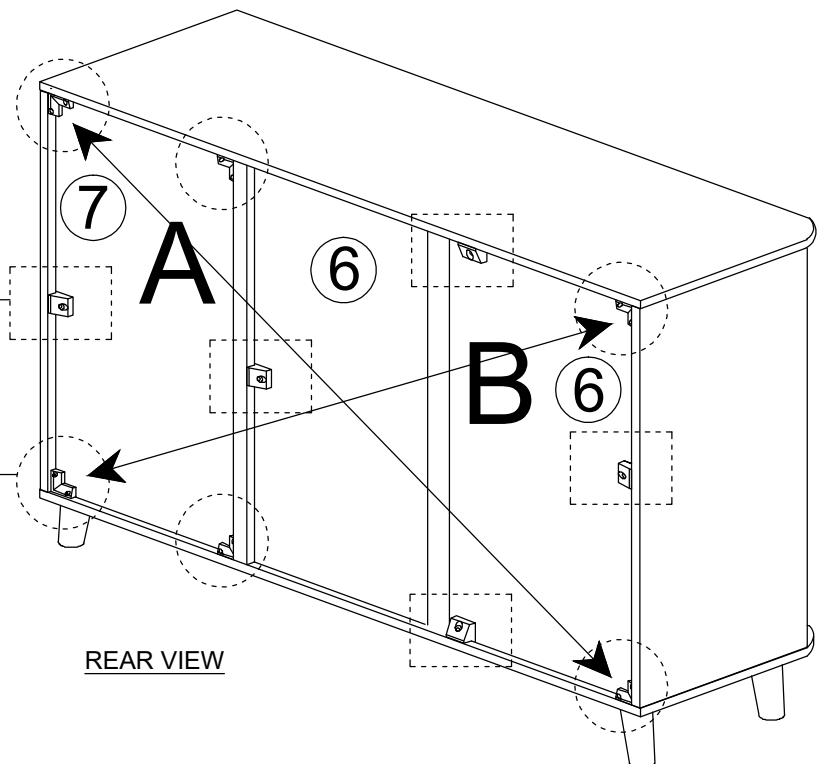
Step 9

Please make sure the left and right doors are the same level and the backboard is right Angle before installing hardware (F & G), **MUST** install hardware (F & G) to strengthen product stability.

Dx12

M3.5 x 16mm
Fx4

Gx4


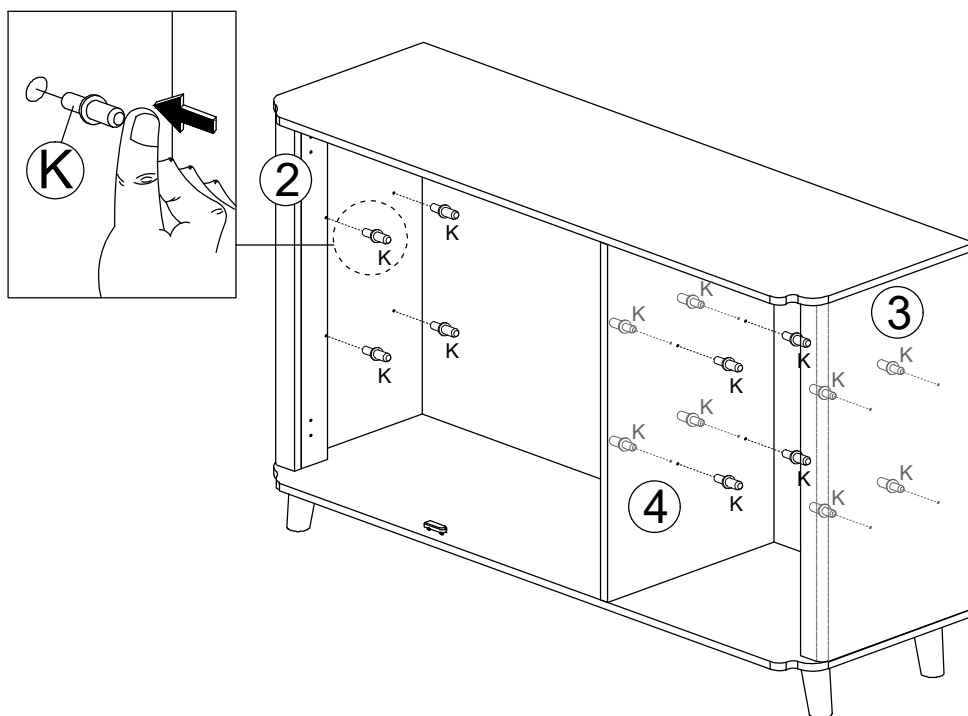
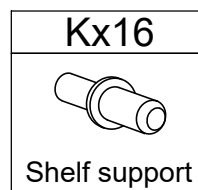


Screw in hardware (F & G) into back panel (6 & 7) by using hardware (D).



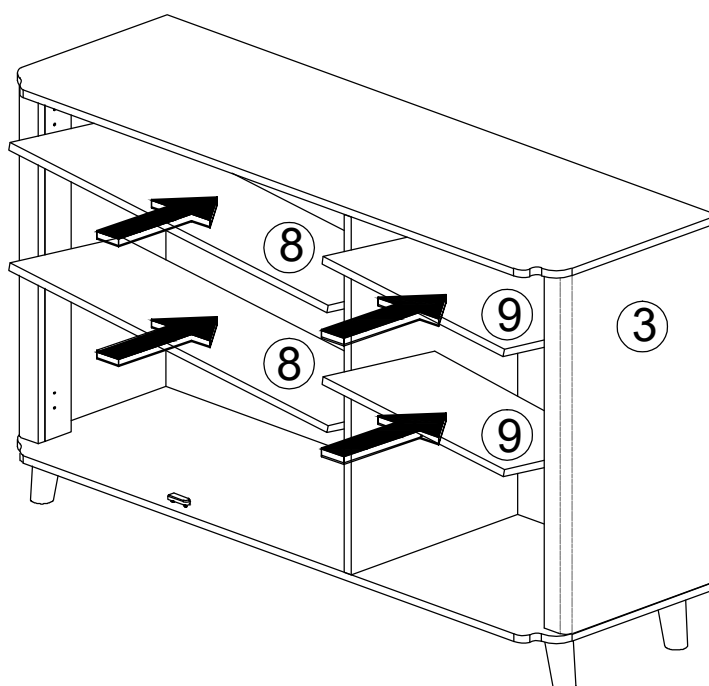
Step 10

Insert hardware (K) onto panel (2,3 & 4).



Step 11

Slide in panel (8 & 9) into between panel (2,3 & 4) with slightly tilted position.



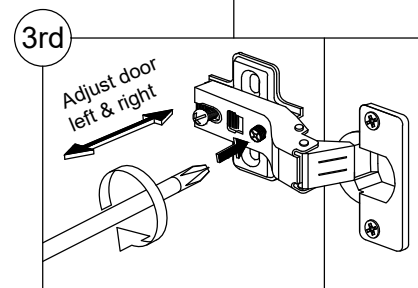
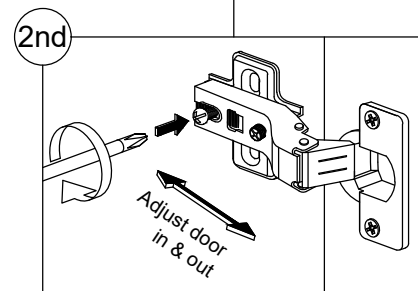
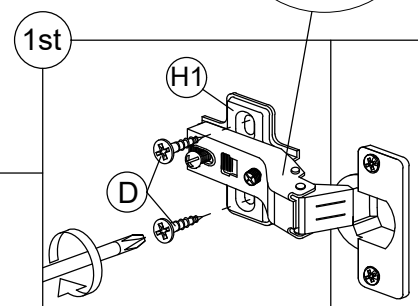
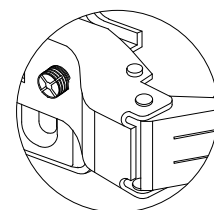
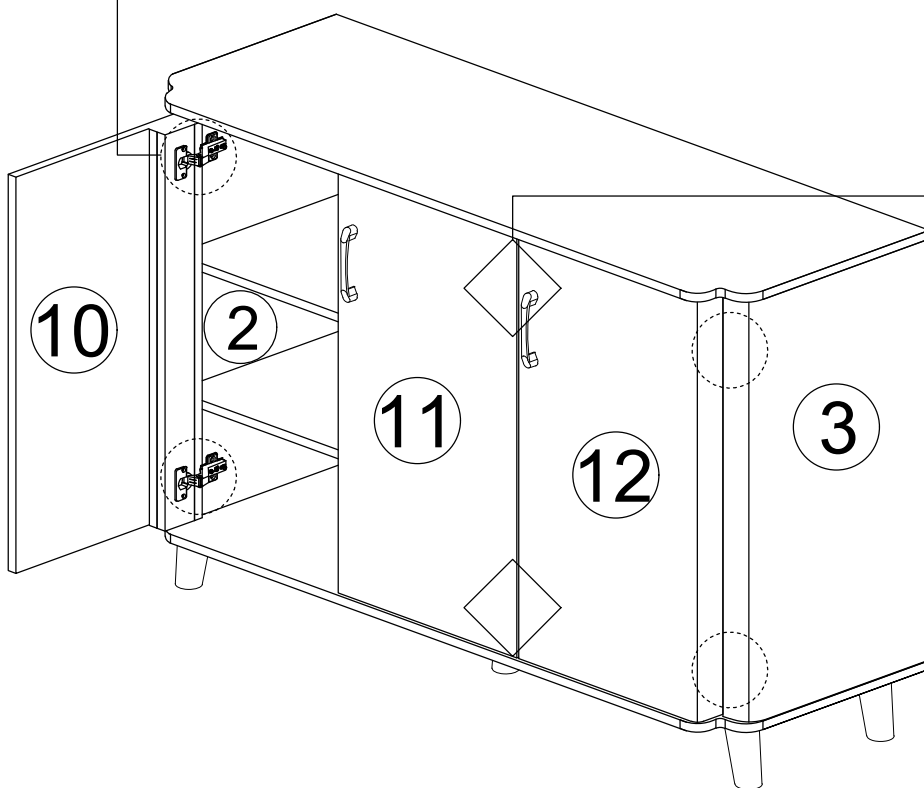
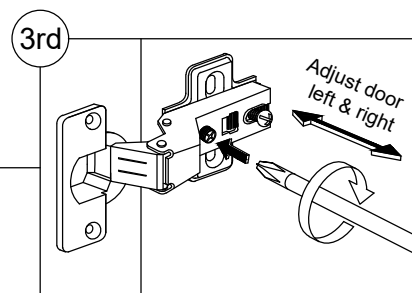
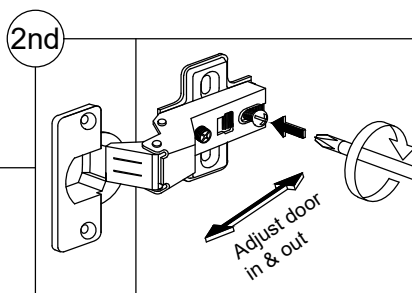
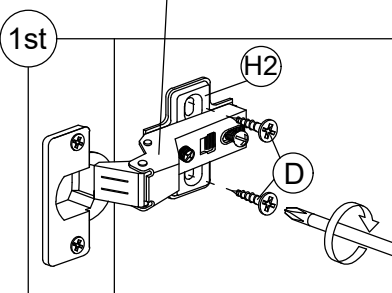
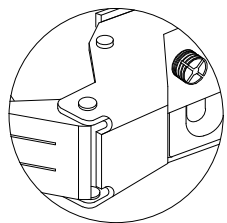
Step 12

Connect panel (10,11 & 12) to panel (2,3 & 4) with hardware (H1 & H2) by using hardware (D).

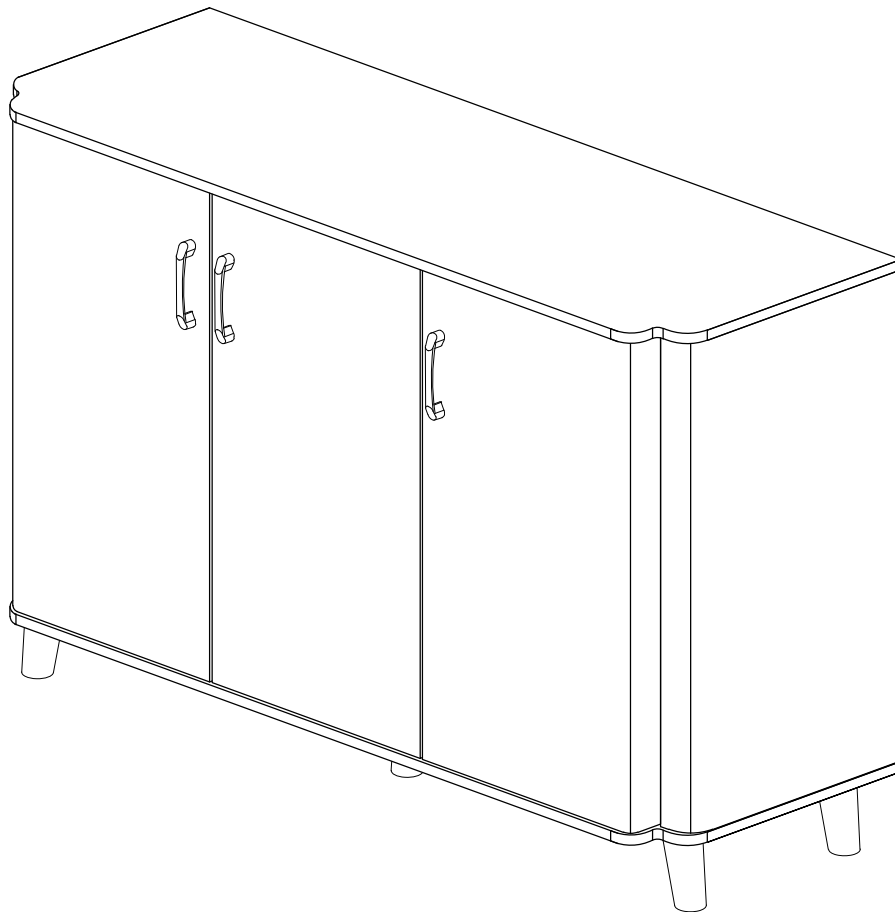
Dx12



M3.5 x 16mm



VOILA!
Now enjoy.



Warning

DO NOT stand or sit on the cabinet as this may damage the product and cause serious bodily injury.

Something not right?

We are always here to help.

We make mistakes like every human does.

Though we always strive to provide the best possible products at competitive prices and the best service in the industry, it's not possible to completely eliminate mistakes. If you experience any dissatisfaction, feel free to contact us immediately. Our in-house customer care team will respond ASAP.



customerservice@luxenhome.com
Get response within 24 hrs



909.548.6688
Mon-Fri 9am-5pm PST/PDT



www.luxenhome.com/help
Submit a ticket on our website

Things to do to expedite the process

- Have your order# ready
- Take photos/videos to help us better identify the issues
- DO NOT throw away the packaging

Happy with our product?

Leave us a review

It really help us as a small business

- Find the product you purchased on our website (tip: search by SKU) and leave us a review.
- Alternatively, you can always return to the marketplace where you purchased it and leave a review there.

Share with others

Our customers look for REAL stuff



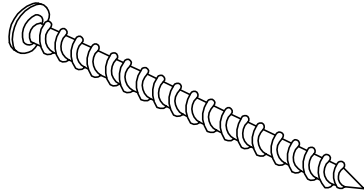
- Follow us on IG @luxen.home
- Share your #liveluxen moments



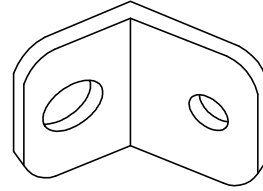
**Please save this manual
for future reference.**

Installation of Anti-Tip Restraint

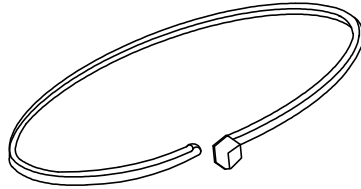
Kit includes:



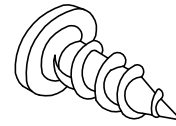
A (x1)
Long screw



B (x2)
Mounting bracket



C (x1)
Restraint strap



D (x1)
Short screw



WARNING



Serious or fatal crushing injuries can occur from furniture tip-over. To help Prevent tip-over:

- Install tip-over restraint provided
- Place heaviest items in the lower drawers
- Do not set TV's or other heavy objects on top of this product
- Never allow children to climb or hang on drawers, doors or shelves
- Never open more than one drawer at a time
- Do not defeat or remove the drawer interlock system

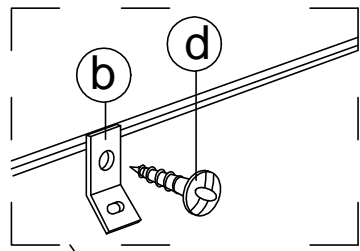
Use tip-over restraints may only reduce but not eliminate the risk of tip-over.

IMPORTANT: Use of this safety kit is mandatory. This restraint is not a substitute for proper adult supervision. Failure to detach this restraint before moving furniture may result in injury and damage.

FITTING OF ANTI-TIP SAFETY STRAP

STEP 1:

- Attach the mounting bracket (b) to the furniture in the solid part below the top panel a few inches away from the side of the unit.
- Screw (d) through the smallest hole of (b).



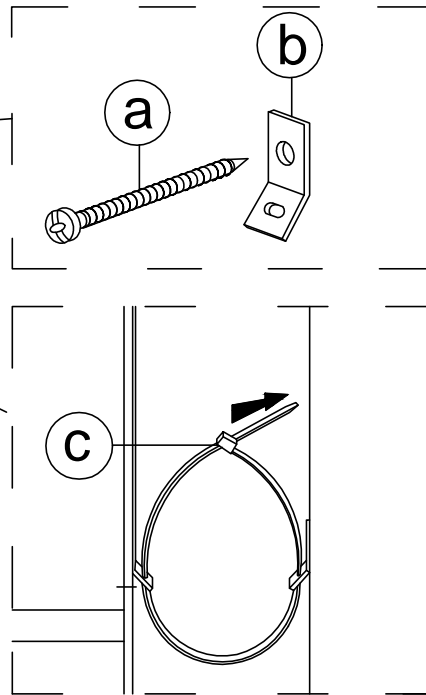
BACK SIDE OF TOP PANEL

WALL

FURNITURE

STEP 2:

- Locate a stud in behind the have to
- Place the other mounting bracket (b) on the wall stud 2 inches below the mounting bracket secured to the back of your unit.
- Attach to the wall stud using (a) through the smaller hole of (b).



STEP 3:

- Repeat the same step a few inches away from the other side of the unit.
- Place the furniture into position so both mounting brackets are vertically in line.
- Lace the end of the restraint strap through the larger holes in each mounting bracket.
- Secure the straps and lock into place.

