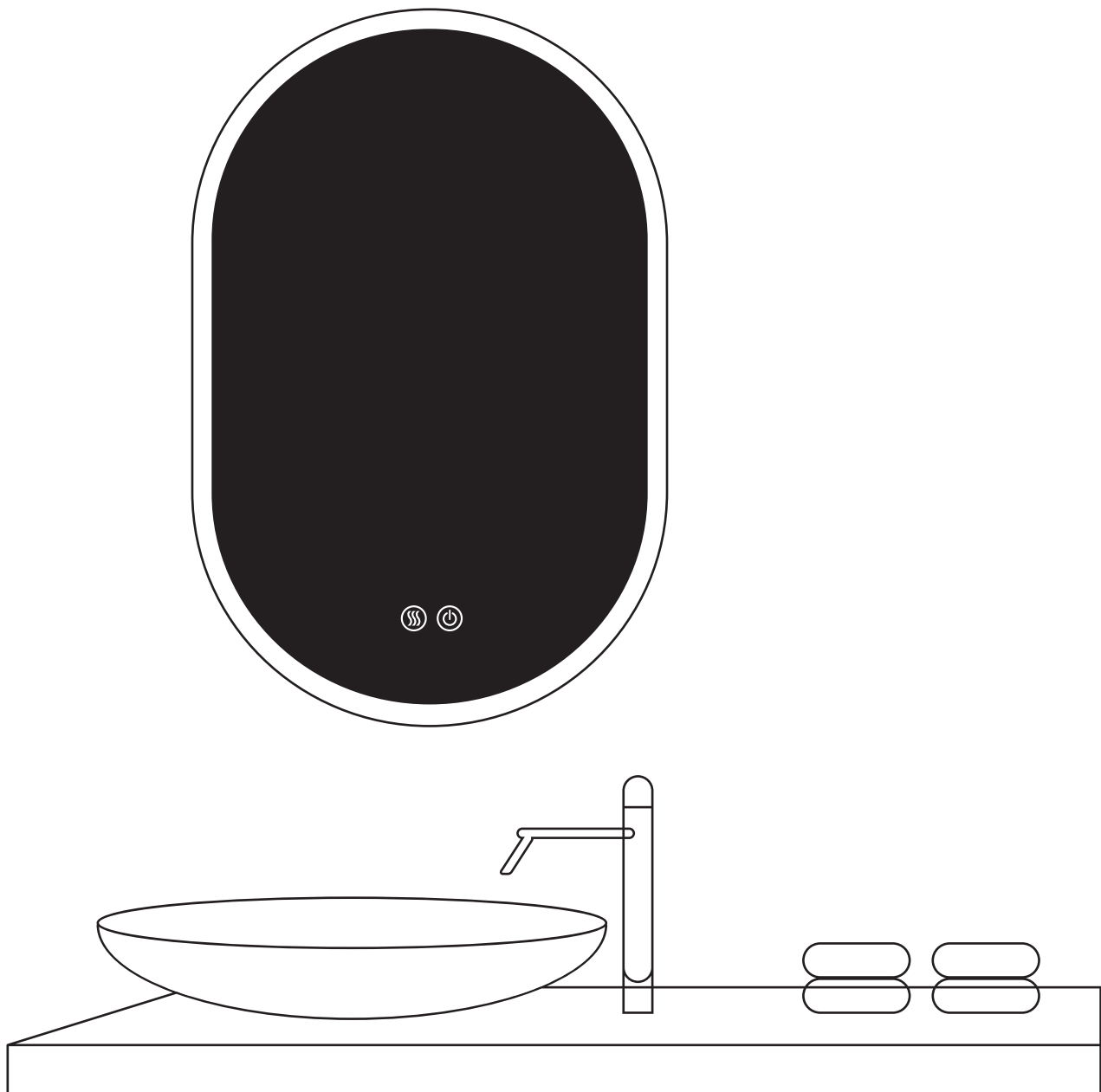


— LED Bathroom Vanity Mirror —



AFTERCARE INSTRUCTIONS

Clean using a soft dry cloth only when turned off. Never use cleaning agents or abrasive materials. Do not allow moisture to come into contact with lamp.

EXTENDED WARRANTY SERVICE

Please send your Purchasing Order No. to register extended 2 years warranty on hardware components. We pride ourselves with a 100% Customer Satisfaction Guarantee. We are confident in our products and stand behind them 100%. Just reach to us with any questions or concerns and we will be happy to help in less than 24 hours!

WARNING AND SAFETY INSTRUCTIONS

Before assembling your LED Lighted Mirror fixture, please make sure that you carefully read through this instruction sheet, refer back to them during installation to ensure your product is fitted safely and correctly. Keep these instructions for future use.

WARNING Risk of Fire and Electric Shock

- All fittings must be installed in accordance with current IEE wiring regulations. If in doubt, consult a qualified electrician.
- Switch off the electrical supply at the main circuit board BEFORE installation and maintenance.
- Suitable for indoor use only. This product should be positioned well away from curtains and fabrics. Never cover the mirror.
- Regularly check the cord, the transformer and all other parts for damage. If any part is damaged the product should not be used.

INSTALLATION SAFETY

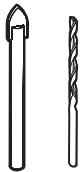
- Inspect the product immediately upon receipt for the transit damage or missing parts. Handle the product with care and protect against knocks to all sides and edges of the glass.
- Ensure there are no hidden pipes or cables in the wall before drilling.
- Wear suitable eye protection when drilling. Take care if drilling on tiled surfaces in case the drill slips.

CAUTION

The light source of this product is non-changeable light diodes (LED). Do not disassemble the product, as the light diodes can cause damage to the eyes.

NOTE: The important safeguards and instructions that appear in this manual are not meant to cover all possible conditions and situations that may occur. It must be understood that common sense, caution and care, are factors that can't be built into any product. These factors must be supplied by the person(s) caring for and operating the fixture. Do not install this fixture in hazardous locations.

TOOLS REQUIRED



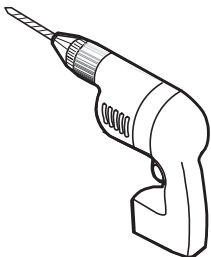
1/4" & 1/8" Drill Bits



Pencil



Level



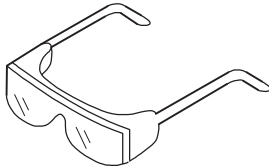
Power Drill



Mallet





Tape Measure



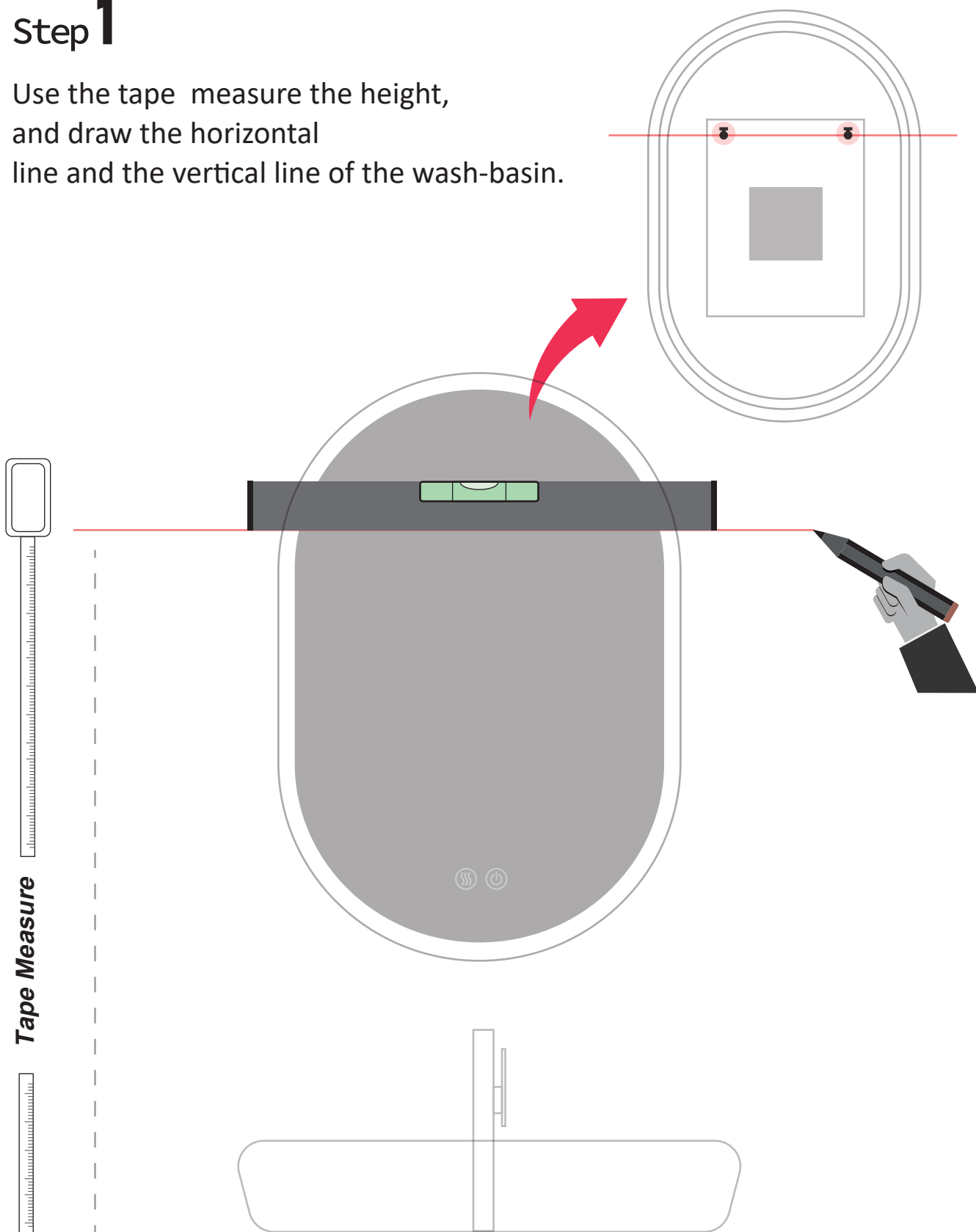
Safety Goggles

HARDWARE LIST

ITEM	REFERENCE IMAGE	NAME	QTY
1		Screw ST4*35	2
2		Wall Anchor	2

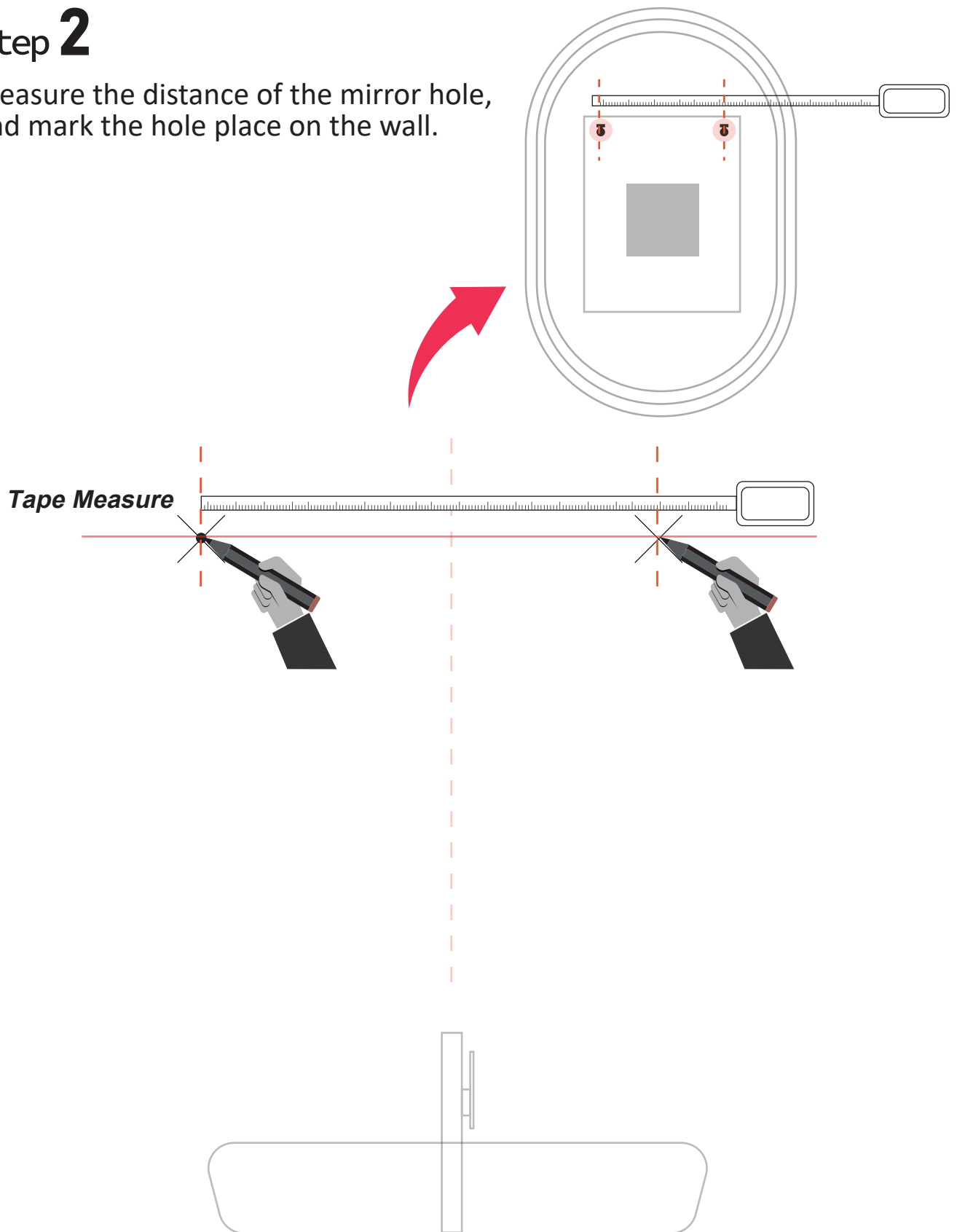
Step 1

Use the tape measure the height, and draw the horizontal line and the vertical line of the wash-basin.



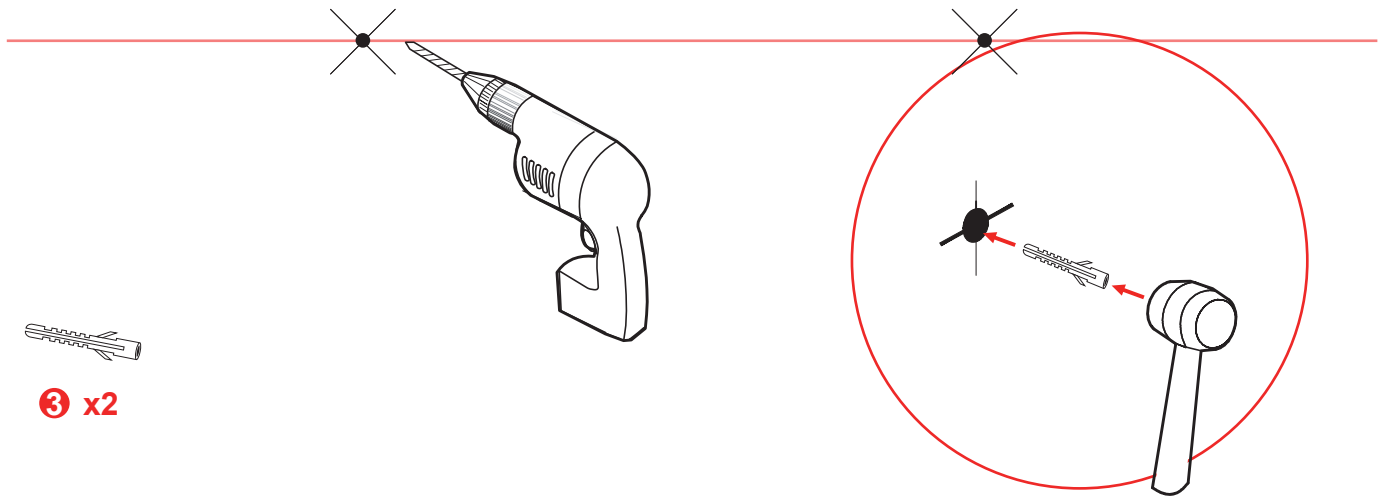
Step 2

Measure the distance of the mirror hole, and mark the hole place on the wall.



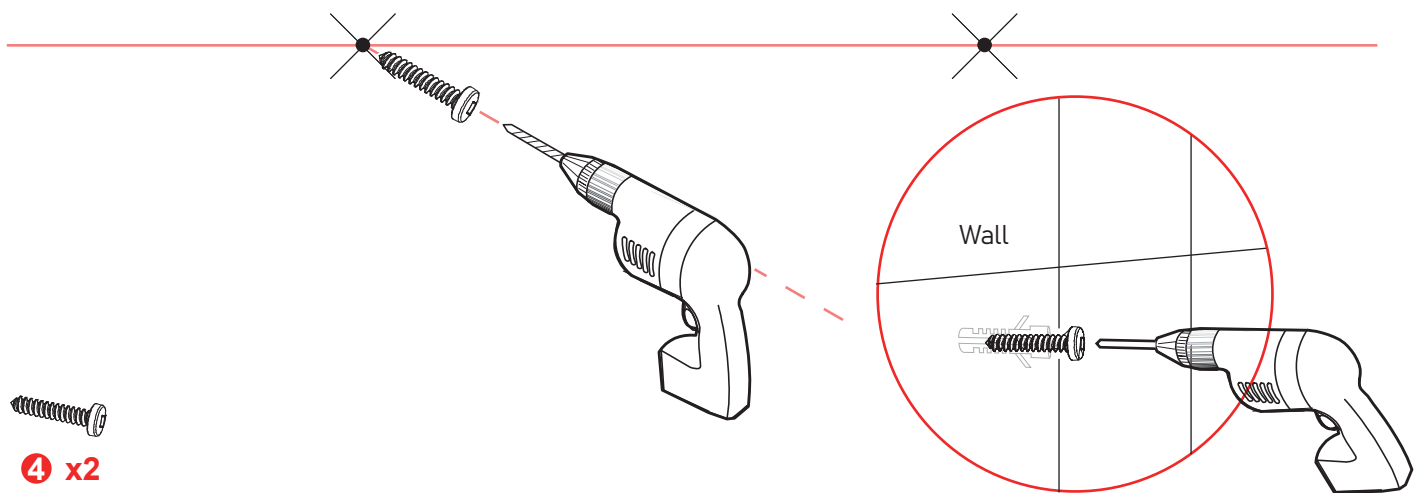
Step 3

Drill and insert the Wall Anchor



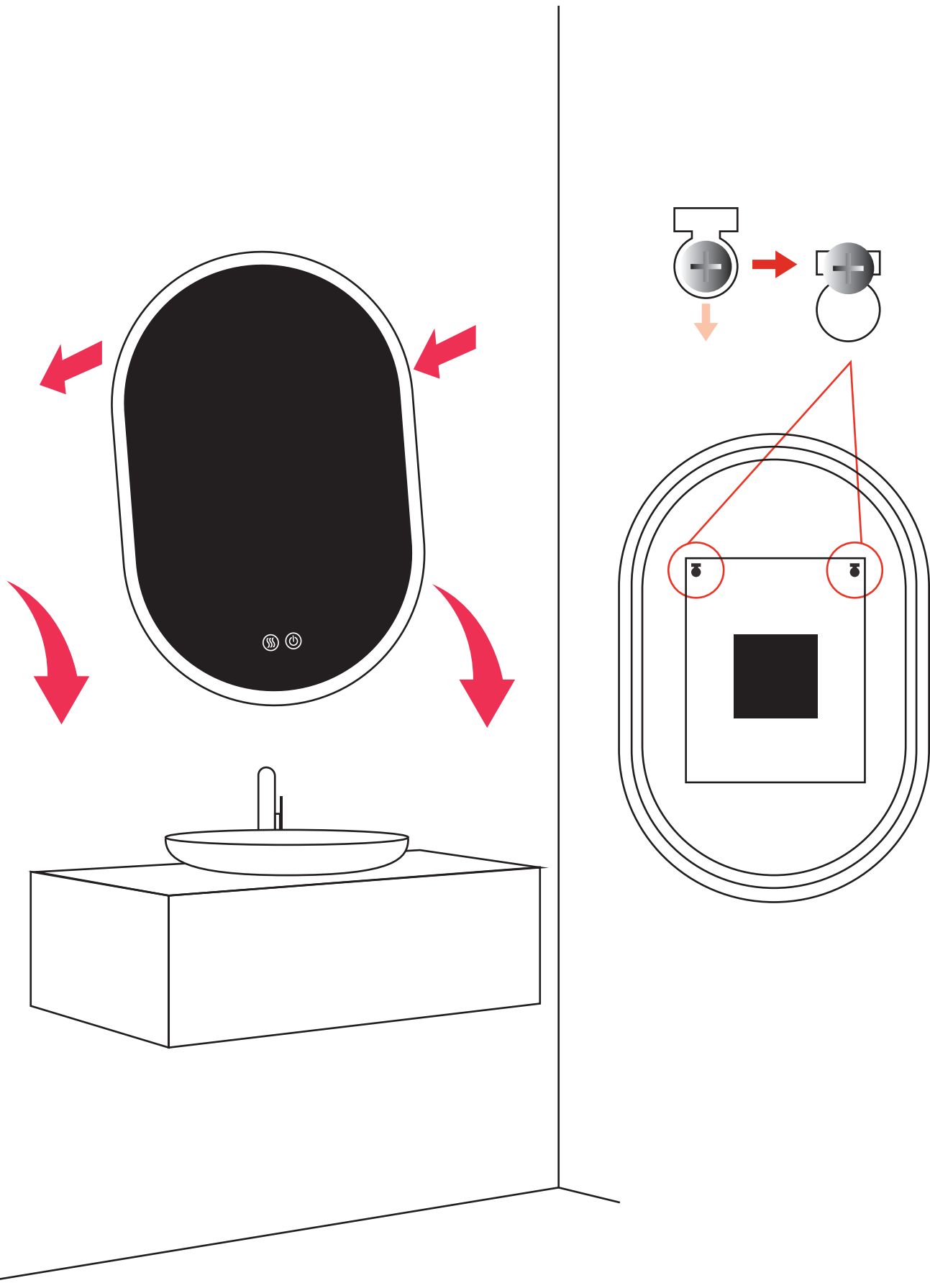
Step 4

Drive in the screw cross the bottom support.



Step 5

Align the holes of the mirror with the screws and hang them to complete the installation



• **HARDWIRED:**

Cut the head off the plug and hardwire it into an outlet.

Black wire --- power supply L(LIVE)

White wire --- power supply N(NEUTRAL)

Green wire --- power supply E (EARTH)

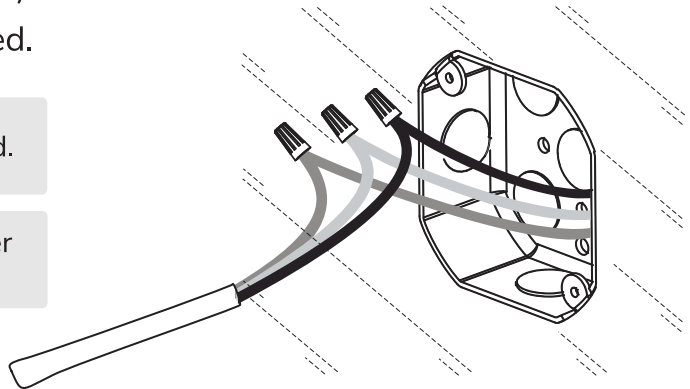
WARNING: This mirror must be earthed.



WARNING: This mirror must be earthed.



REMINDER: Please make sure the power is cut off before installation.



ALL WIRING SHOULD BE DONE BY A QUALIFIED LICENCED ELECTRICIAN.



WARNING: Requires 120 VAC 20 Amp GFI protected Circuit.

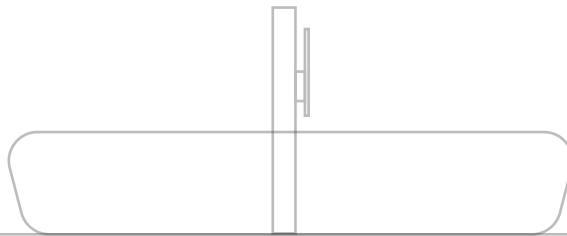
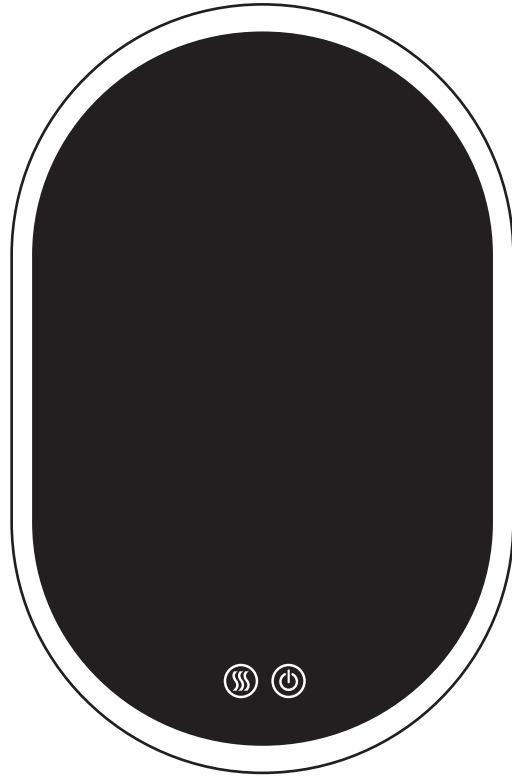
GROUNDING INSTRUCTIONS:



CAUTION: This product must be connected to a grounded metal permanent wiring system or an equipment-grounding conductor must be run with the circuit conductors and connected to the equipment grounding terminal or lead on the product.



WARNING: An Electrical option Mirror must be wired to a 20 Amp GFI (Ground Fault Interrupter) protected circuit when used in bathrooms and all other locations required by the National Electric Code.



After power on, the button shows blue and it is in waiting state



LED

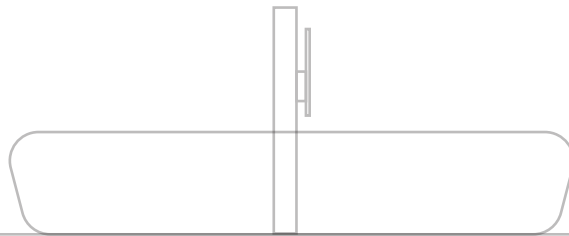
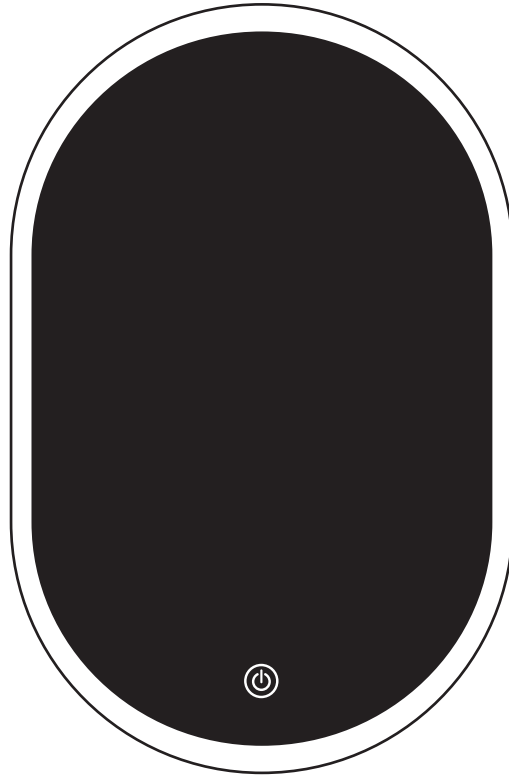


Long press to make the light gradually dims

Long press again and the light gradually brightens



After power on, the button shows blue and it is in waiting state, lick to turn on the defogging function and the button turn to white. Click again to turn off the defogging function and the button turn to blue.



After power on, the button shows blue and it is in waiting state



LED



Long holding to make the light gradually dims

Long holding again and the light gradually brightens