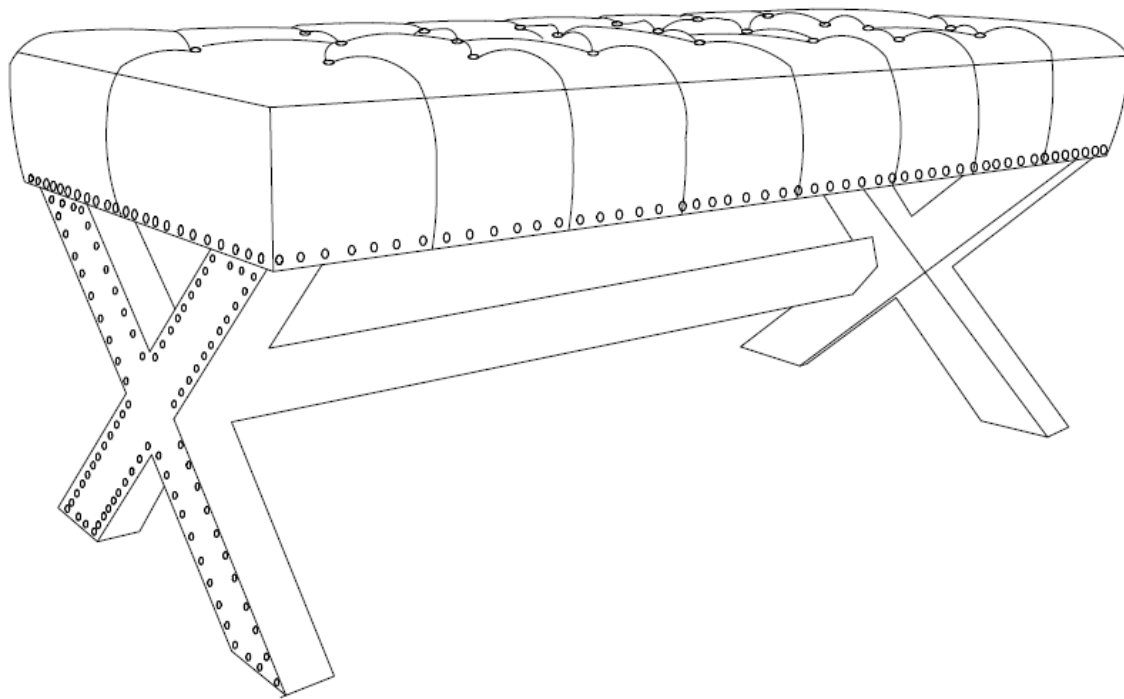


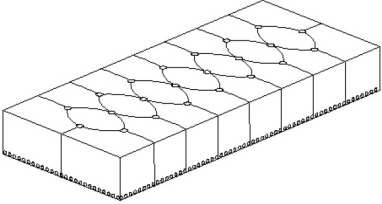
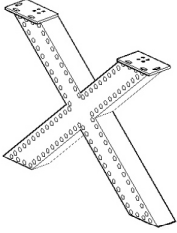
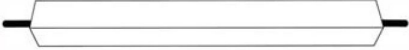
# Assembly Instruction

## X-TUFTED BENCH




**Caution** : You must read this before you proceed.



## Parts List






Label	Picture	Description	Qty
A		Bench Seat	1
B		Leg	2
C		Strecher	1

## Hardware

Label	Picture	Description	Qty
E		Bolt Dia.M6X35mm (L)	12
F		Metal Washer .M6	12
G		Allen Key	1

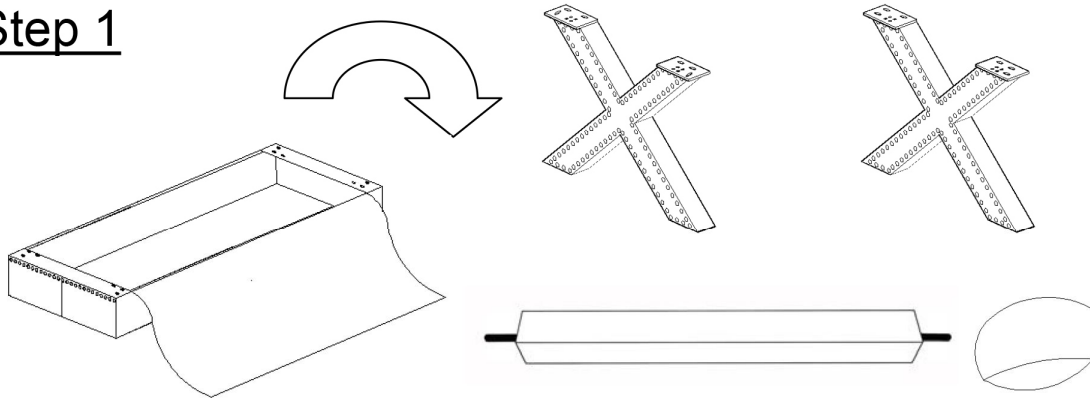
# Assembly Preparation

## Before Beginning Assembly:

-  • Read instructions, cover to cover-
-  • Have 2 adults on hand for assembly-
-  • Do not assemble on flooring or carpet-
-  • Assemble on a clean non-marring surface (packing foam)-
-  • Save all packaging until finished-

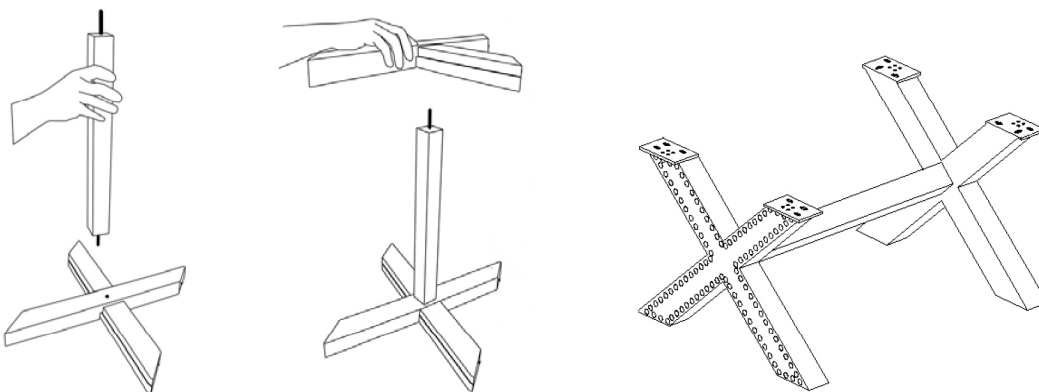
# Assembly Steps

## Step 1



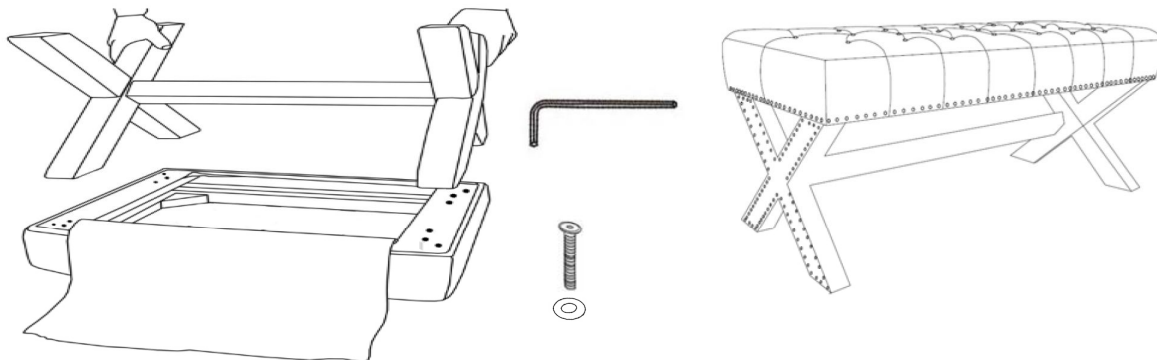
Put the Bench Seat upside down with the base facing skywards.  
Take out 2 pcs of Leg , Stretch and a bag of hardware (6 bolts and 1 Allen key).

## Step 2












DO NOT overtighten the first time around for all Bolts.

## Step3



Use Bolt and Allen Key to fix the legs to the Seat Frame .  
Fully and Securely tighten all the bolts. Turn the bench in its upright position, it is ready for use.

### Care & Maintenance

-  • Do not put hot items directly on furniture surface.
  -  • Do not clean furniture with harsh cleansers or polish.
  -  • Do not place furniture under direct sunlight.
  -  • Do not place furniture near heating or cooling vents.
  -  • Do not write on furniture without a padded barrier to protect the surface.
  -  • Do not place furniture outside. For indoor use only.
  -  • Not for commercial use. For residential use only.
  -  • Stains may be removed with mild soap solution and damp cloth.
- 
-  • Dust and pick-up spills using a clean, non-colored, lint-free cloth.