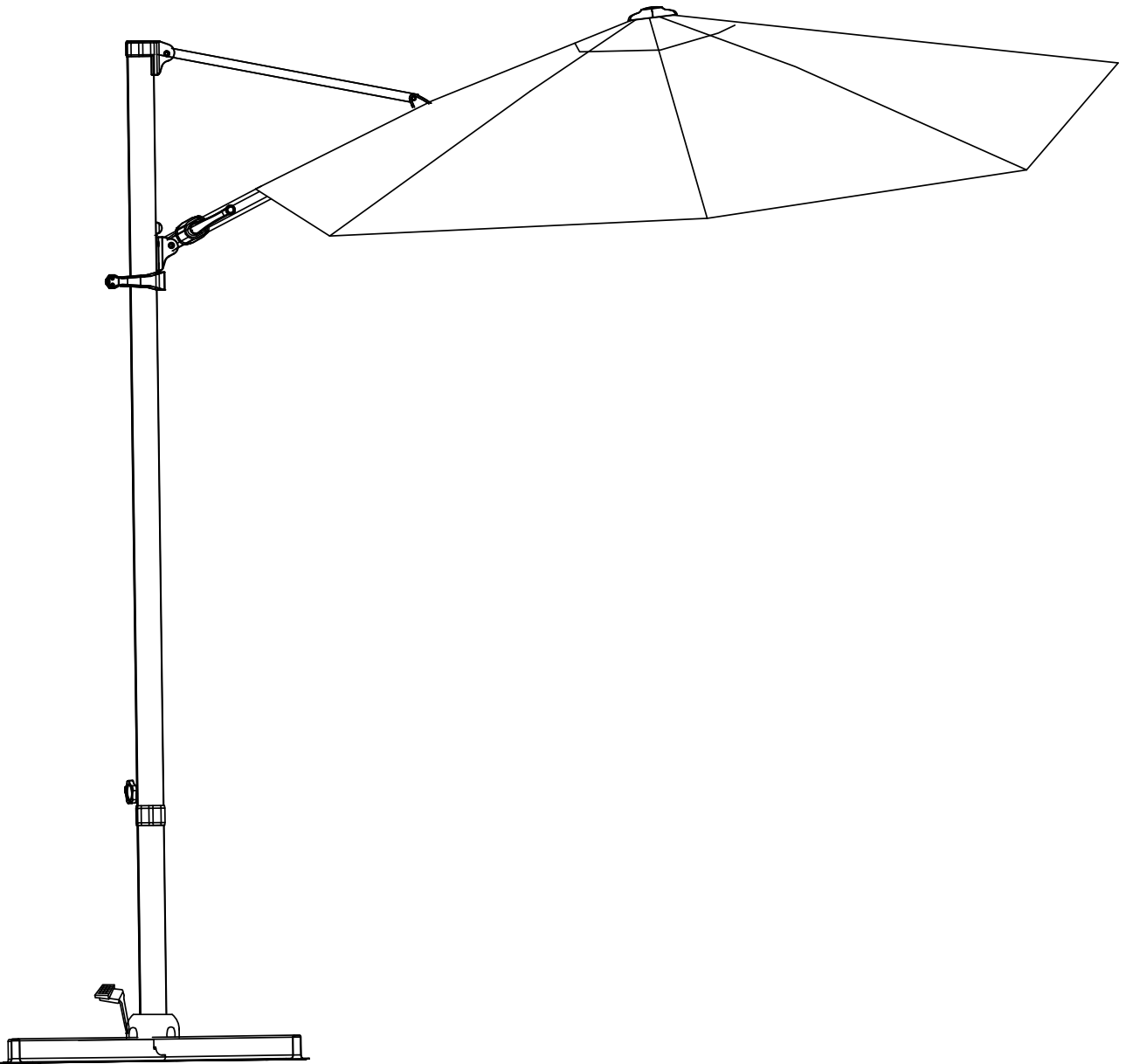
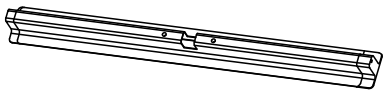
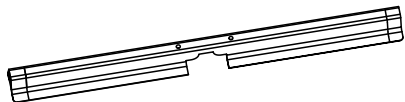
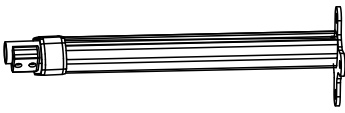
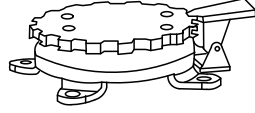
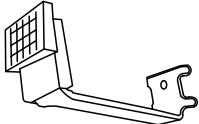

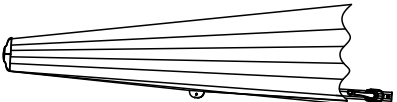
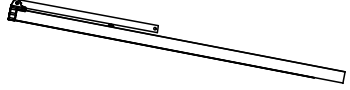
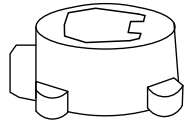
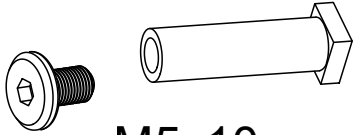
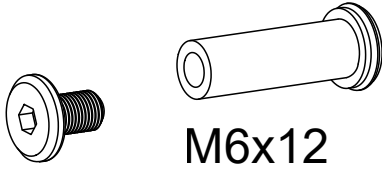
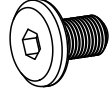
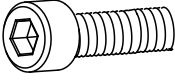

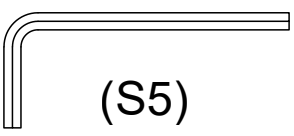

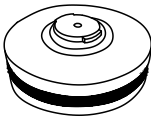
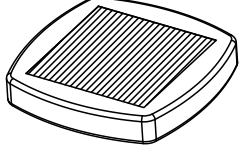

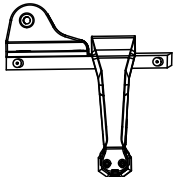
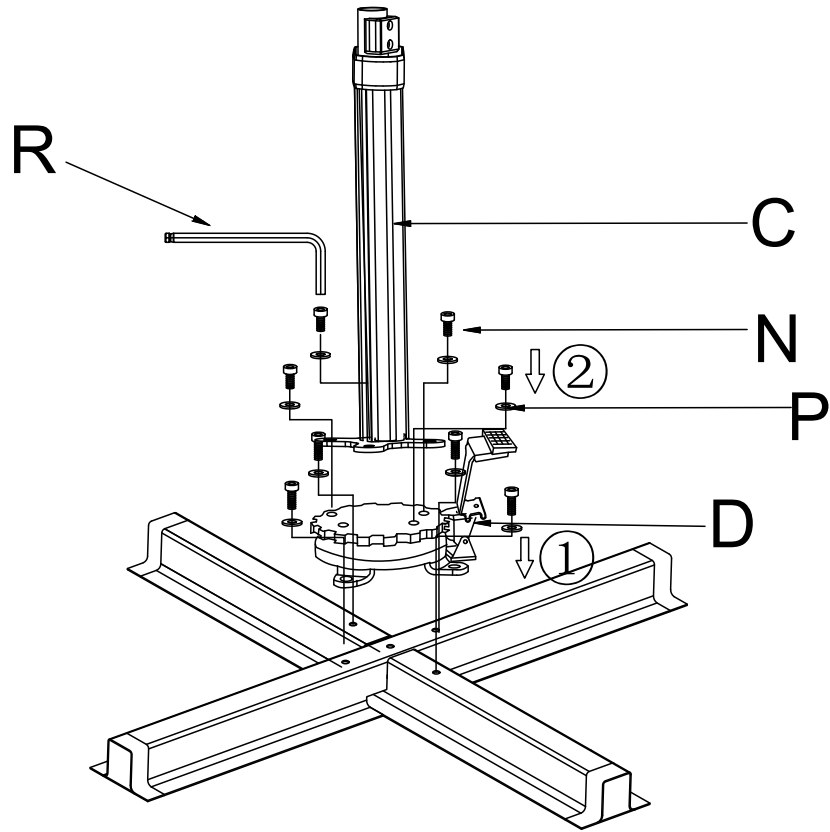


Owner Manual

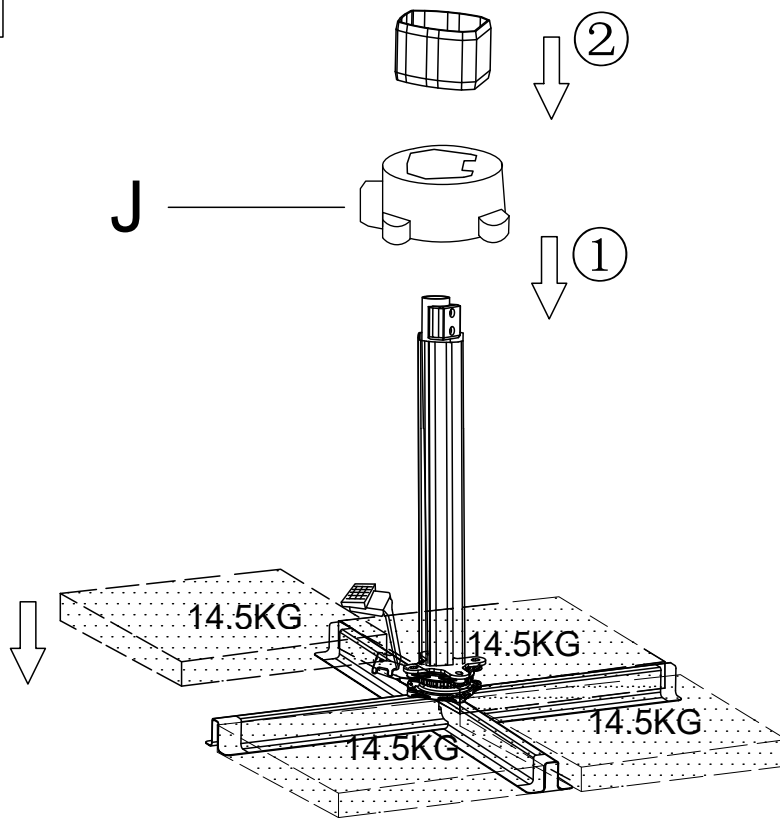


PART	PICTURE	QTY	PART	PICTURE	QTY
A		1	B		1
C		1	D		1
E		1	F		1
G		1	H		1
J		1	K	 M5x10	1
L	 M6x12	1	M	 M6x12	1
N	 M8x16	8	P	 (Ø8)	8
Q	 (S5)	2	R	 (S8)	1
T		1	U		1
W		2	X		1

3

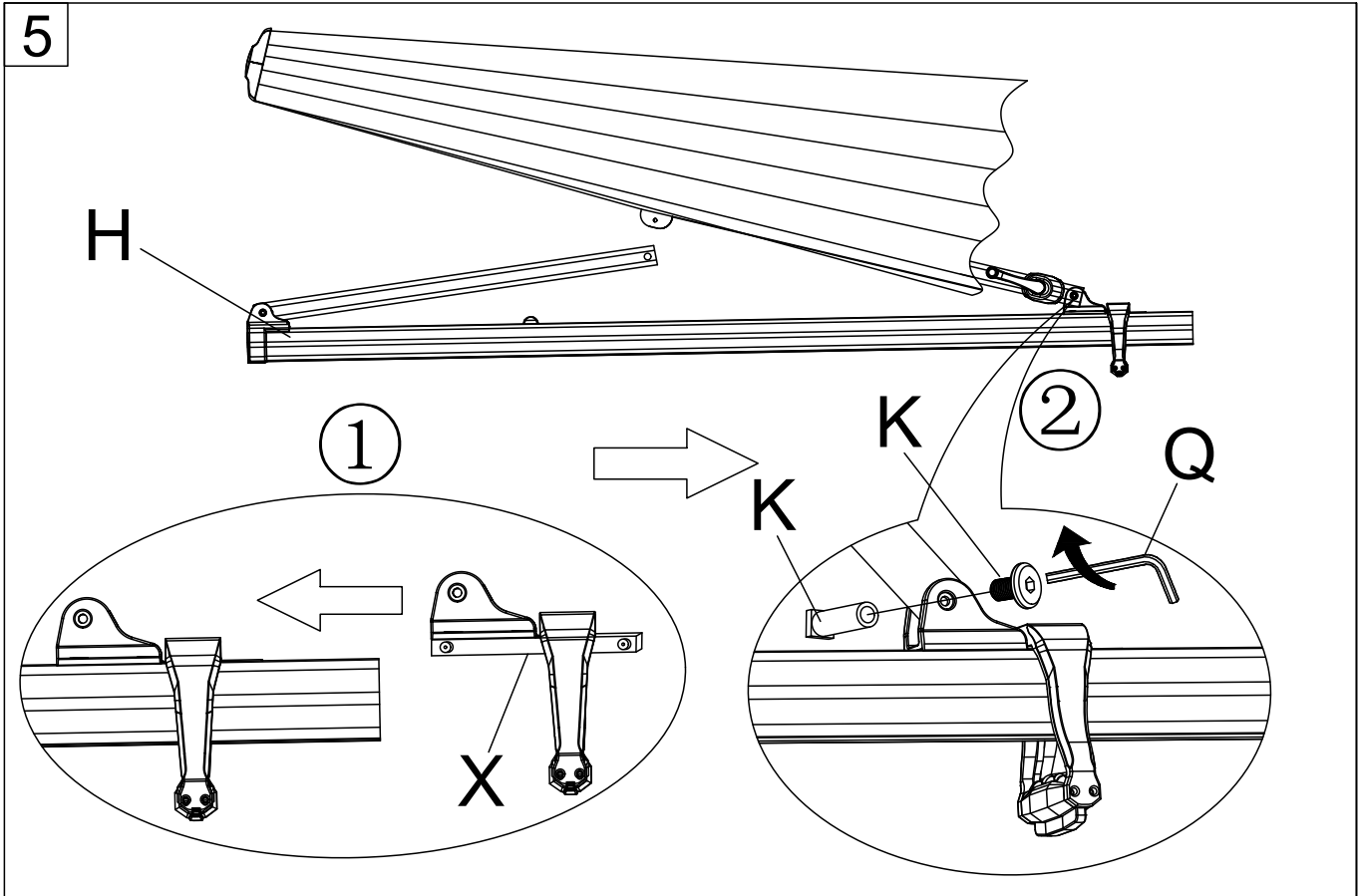


4

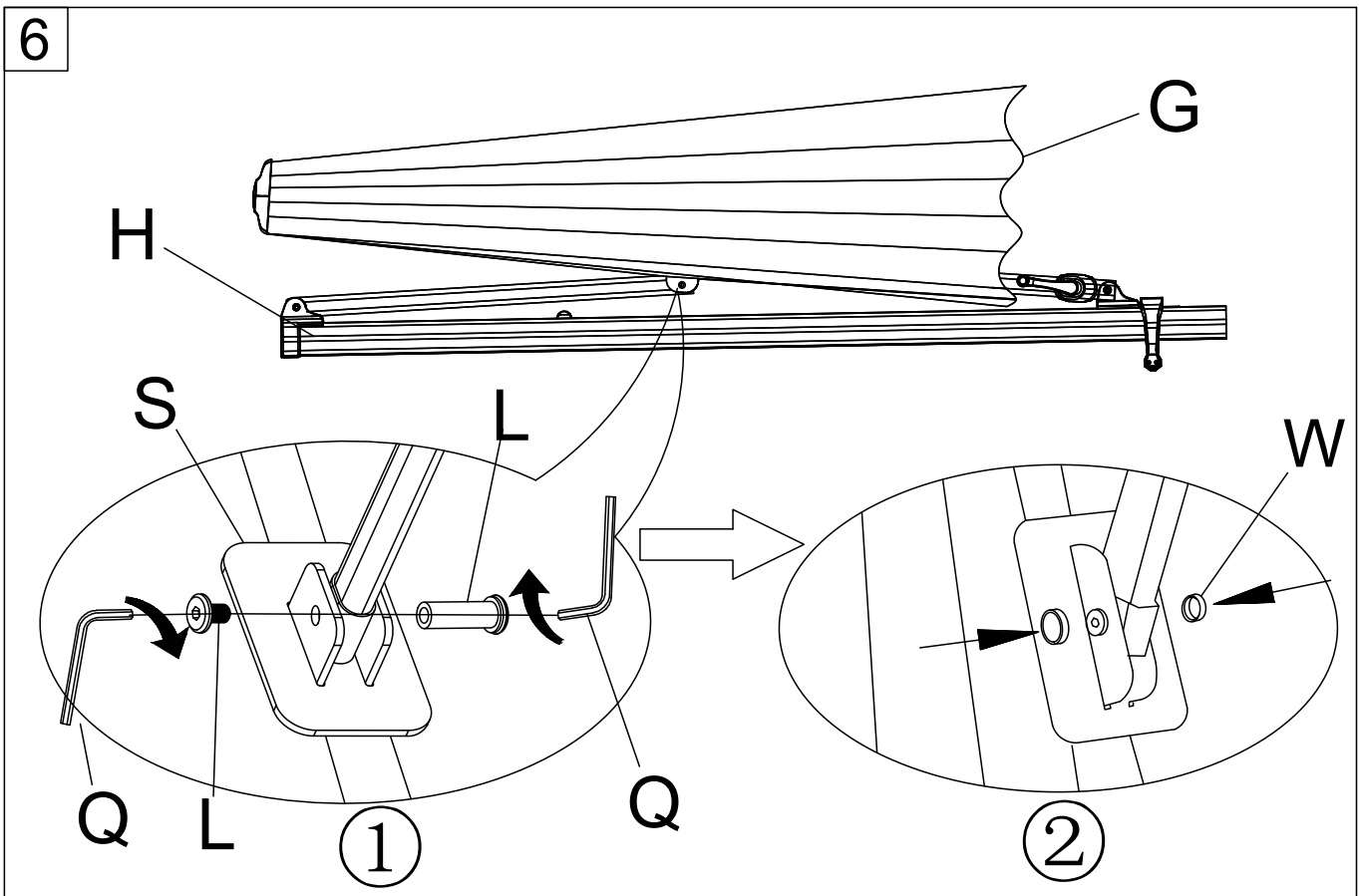


Please first remove the foot tube cover on the top, then install part J, and finally reinstall the foot tube cover.

5



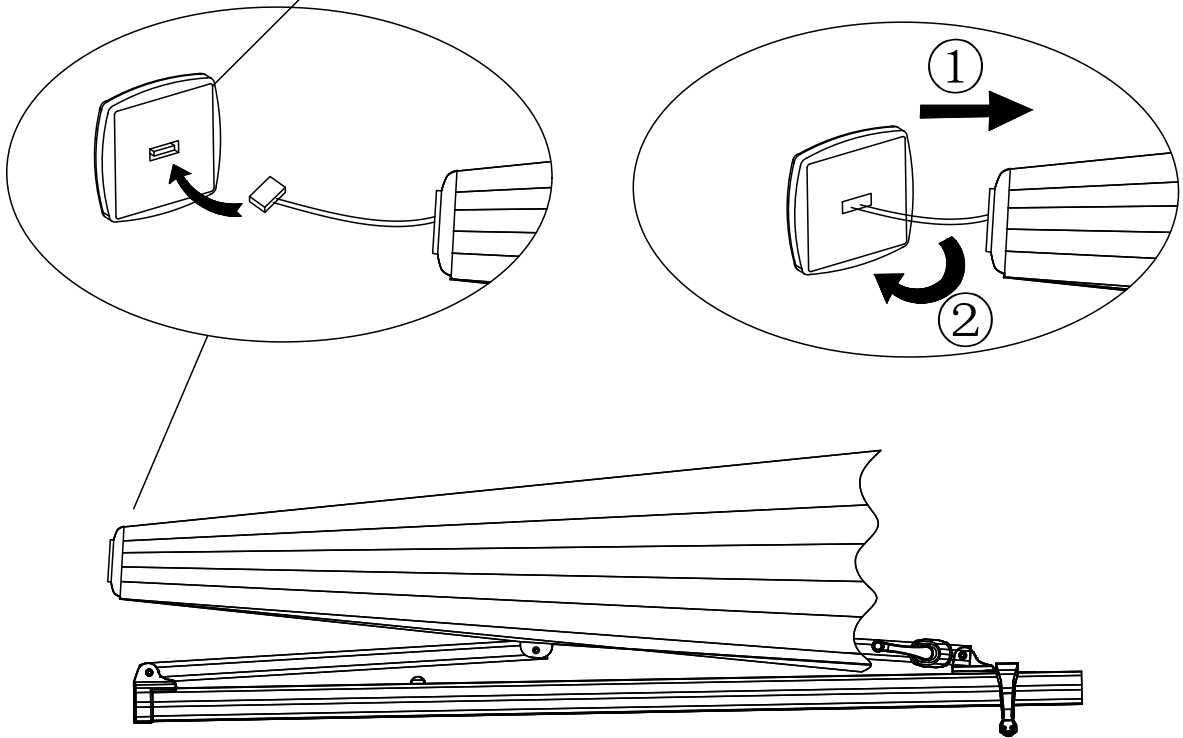
6



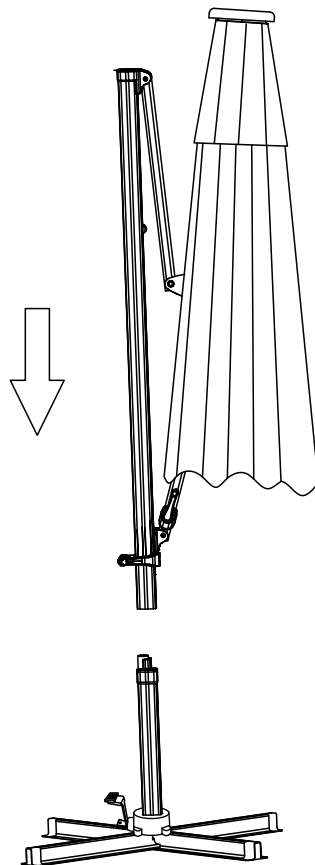
7

U

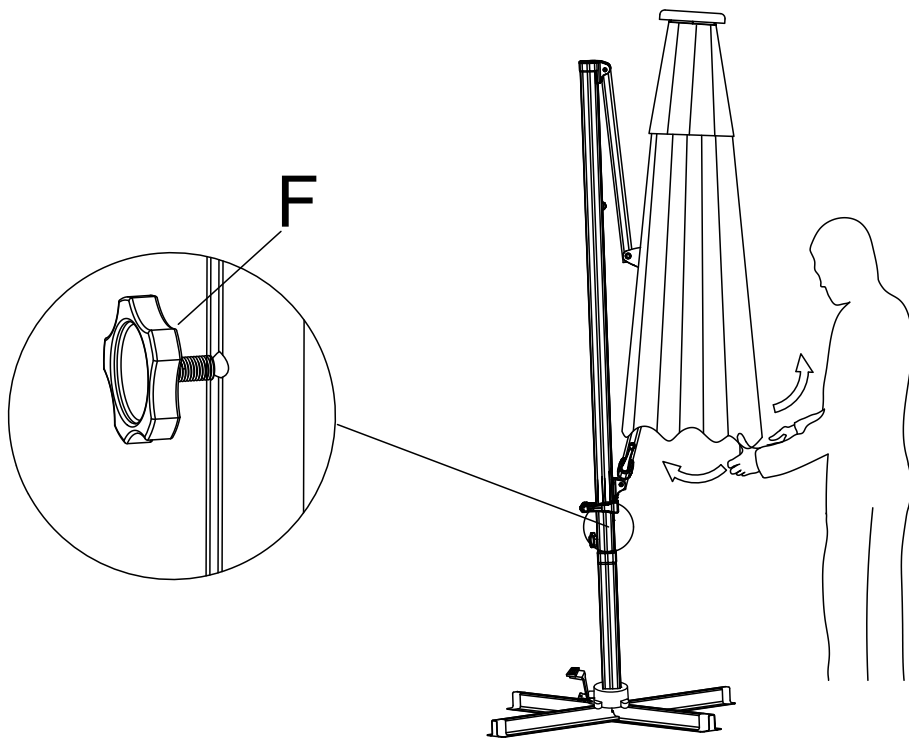
Part U rotary clamping



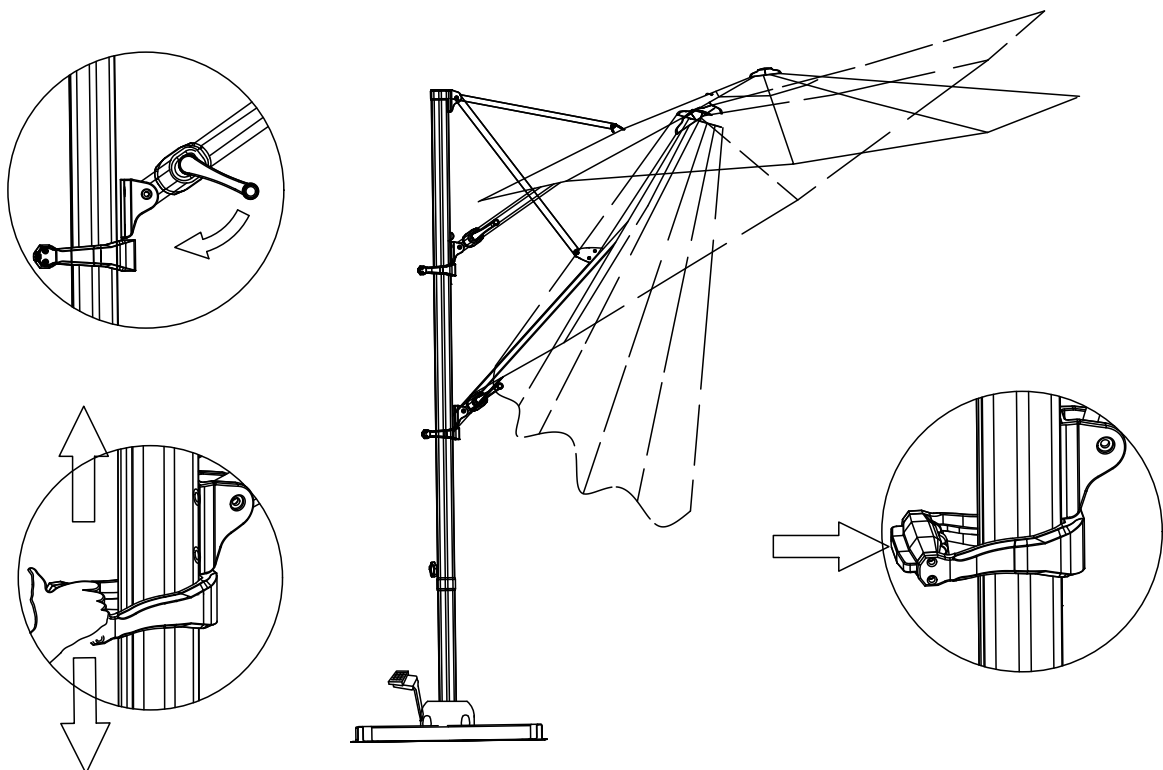
8



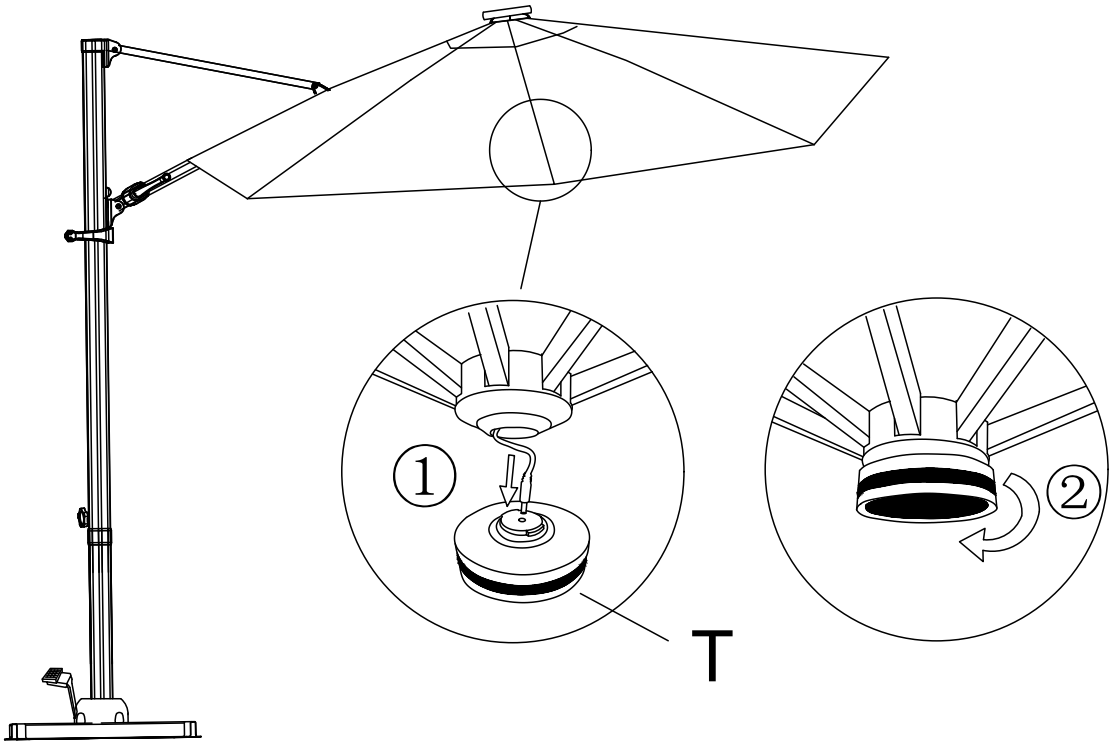
9



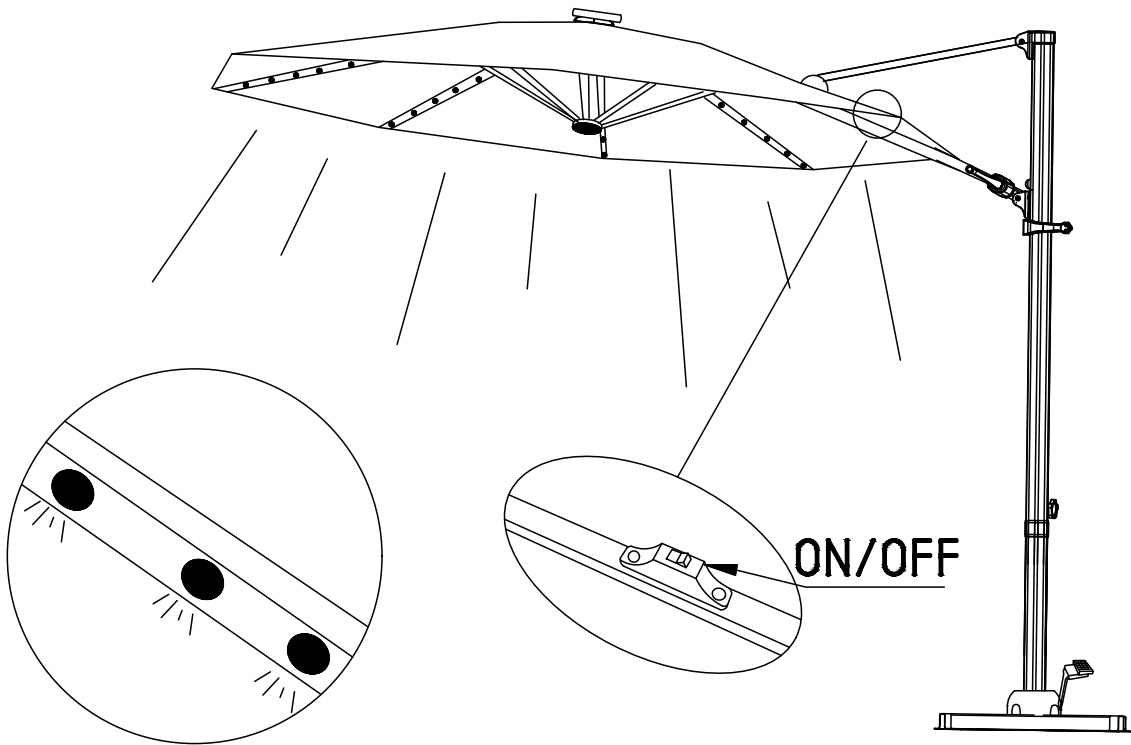
10



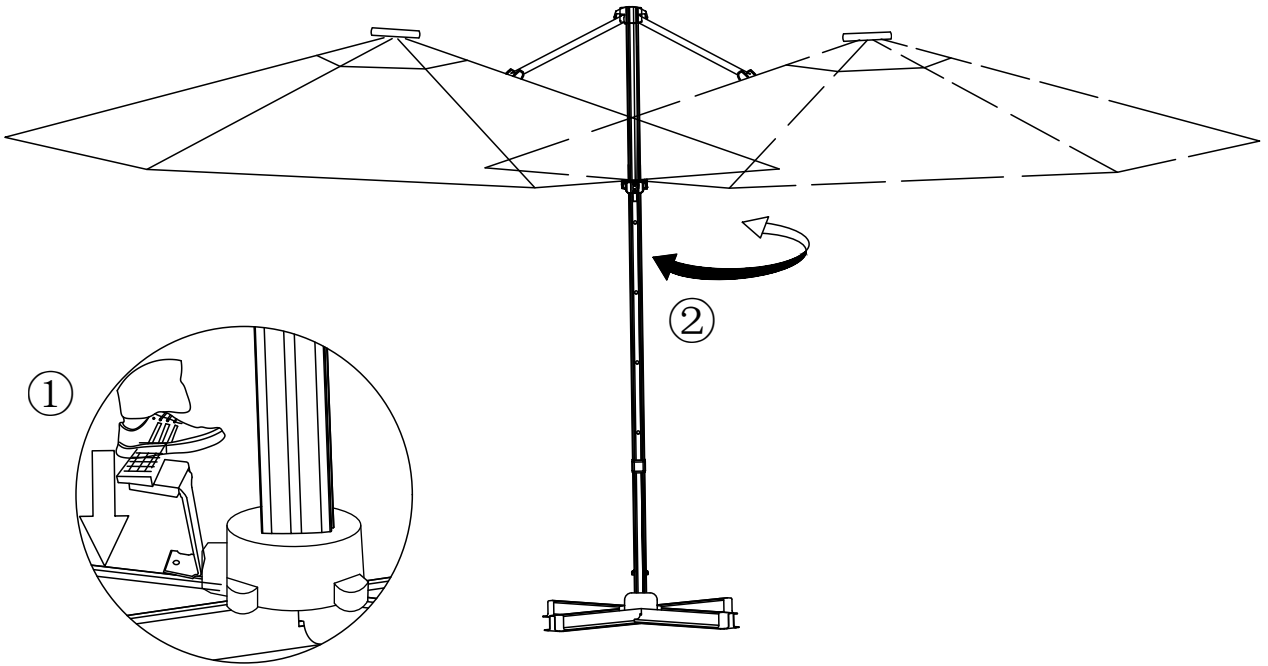
11



12



13



360° rotation by foot pedal

General Guidelines



Please read the following instruction carefully and use the product accordingly.

Please keep this manual and hand it over when you transfer the product.

This summary may not include every detail of all variations and considered steps. Please contact us when further information and help are needed.

Warnings



Keep children away when assembling the product. Small parts are included in the package; they may be fatal if swallowed or inhaled.

To avoid the potential dangers of suffocation, please keep all parts and packaging (film, plastic bags, foam, etc.) away from babies and children.

Keep the parasol away from fire; do not use it during extreme cold and heat, and severe weather like rainy, windy, snowy days, and hailstorms, etc.

Notes



Personal injury and/or damage to the product may occur if products are used outside of their intended purposes and/or if products have been changed/modified from their original design. The product must be assembled and used in accordance with the provisions of the manual. The seller does not assume any responsibility or liability with respect to any damage caused by incorrect assembly or improper use.

Carefully check accessories when opening the package. If anything is missing or damaged, please contact us immediately.

This product is heavy. It is recommended that two people participate in handling and assembly.

Place marble plates or other heavy objects on the base to keep the parasol stable. Carefully check accessories when opening the package. If anything is missing or damaged, please contact us immediately.

This parasol is only used for shading and decoration purposes.

Store the parasol in a dry, sheltered place, such as a garage or basement during high winds, rainy days, and the off-season.

Never force your parasol open. Umbrella mechanics should open gently and easily.

Sometimes the canopy may get stuck in the umbrella pole during transportation or storage. So remember to shake the canopy before use to open the parasol smoothly.

The pole of the umbrella leans at a 3-degree angle for enhanced stability. This is not a defect, but a product design for an improved experience.

Daily Maintenance



Clean the canopy with a soft cloth moistened with a neutral detergent. Store it after completely drying, which will help reduce the growth of mold.

Do not machine wash, do not dry.

Do not iron.