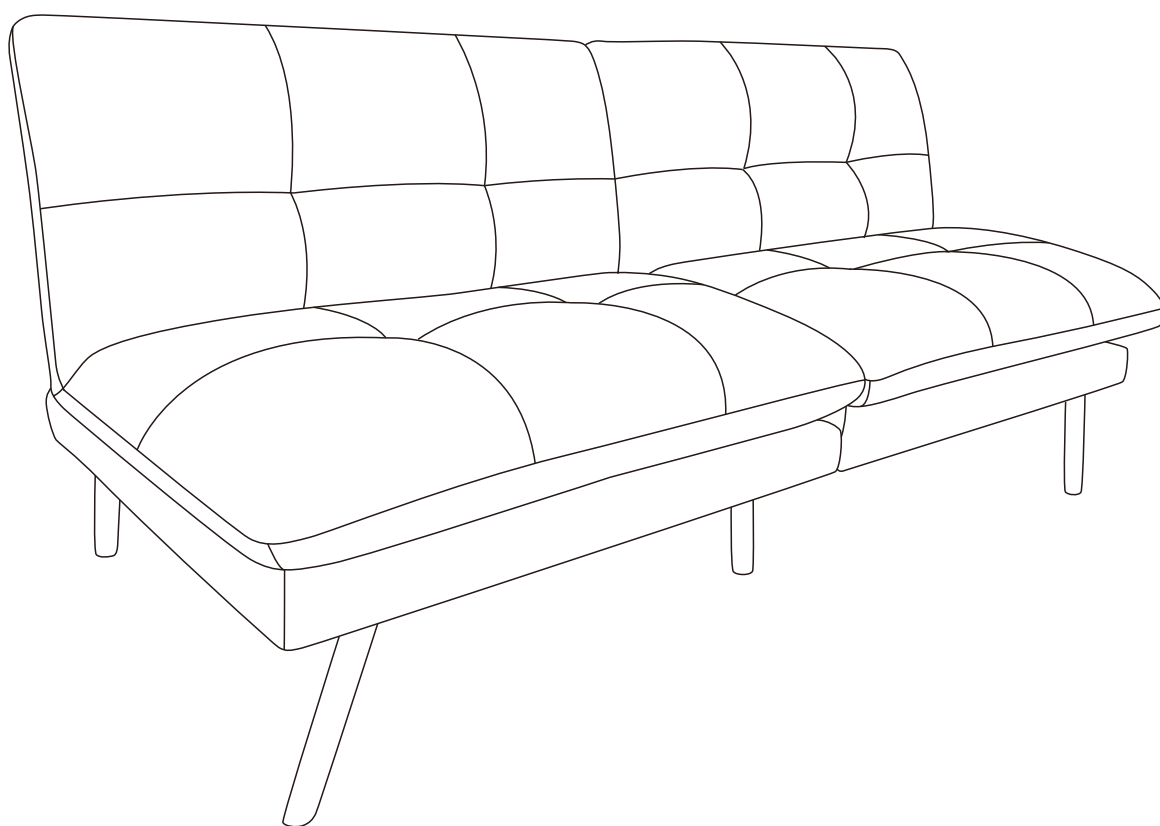
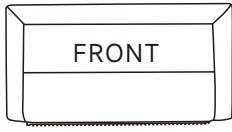


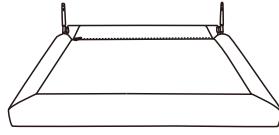
ASSEMBLY INSTRUCTION



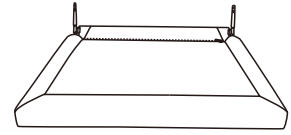
Components List



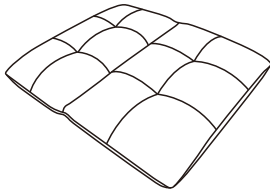
H X2



I-L X1








I-R X1

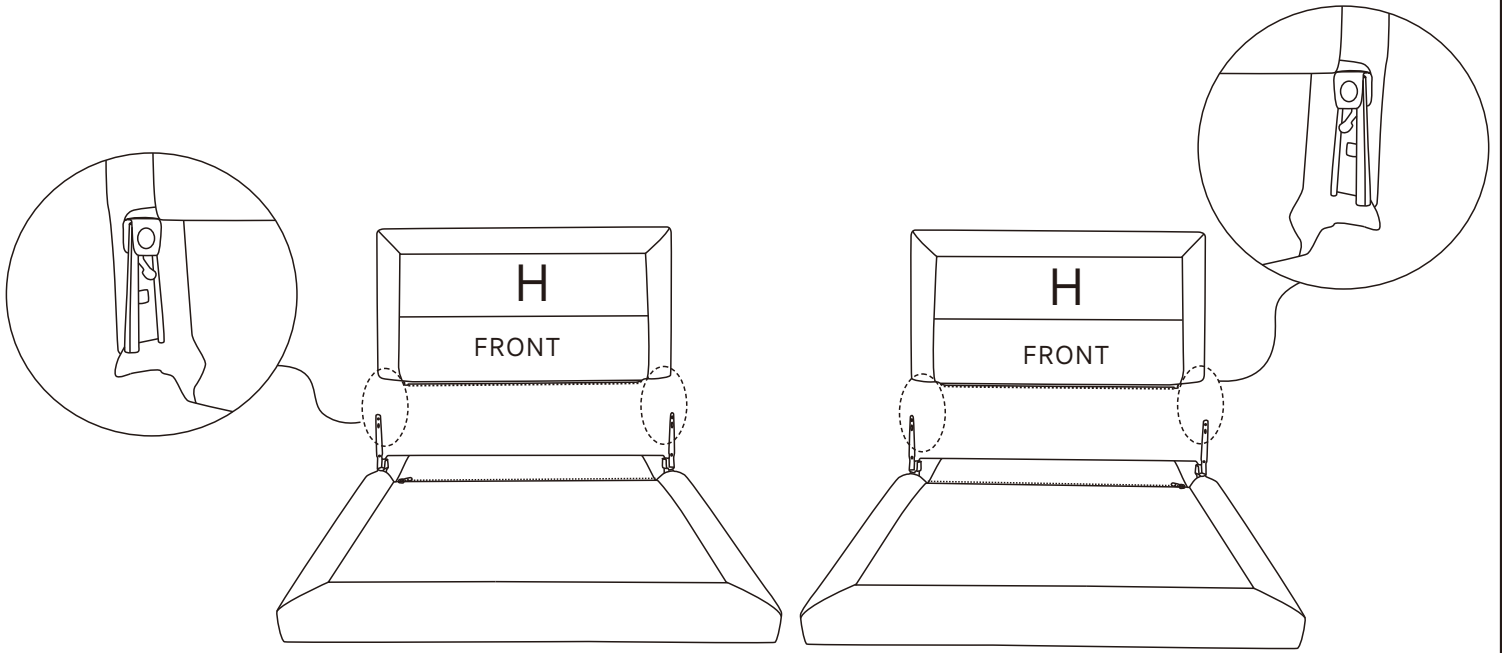


J X2

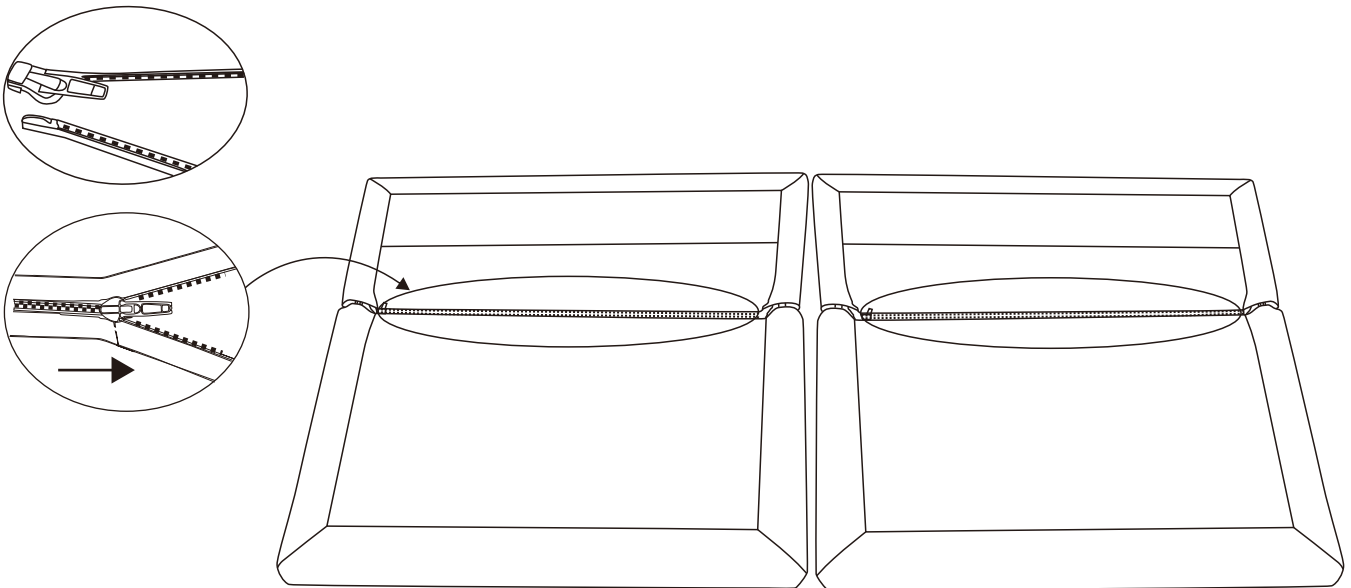
Hardware List

A M8X25mm  x12	B  x1	C  x12	D  x4	E  x2
---	--	---	--	---






STEP 1

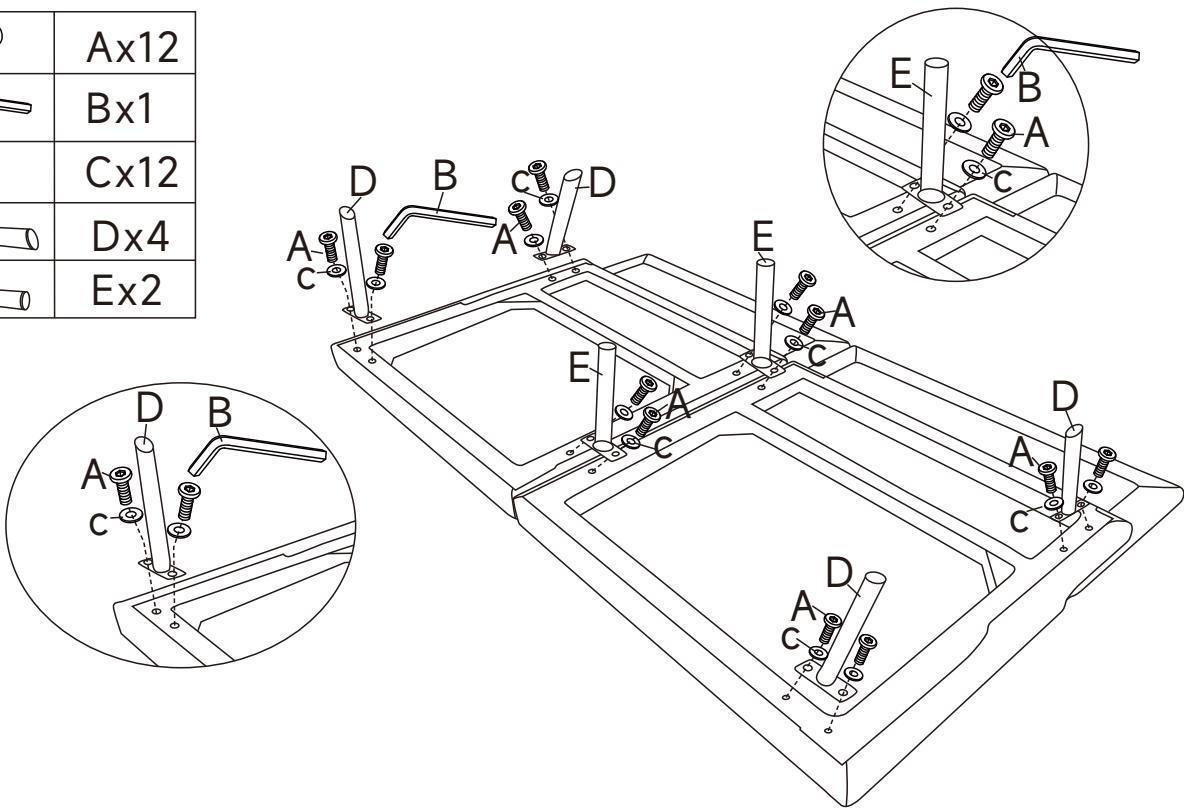


STEP 2

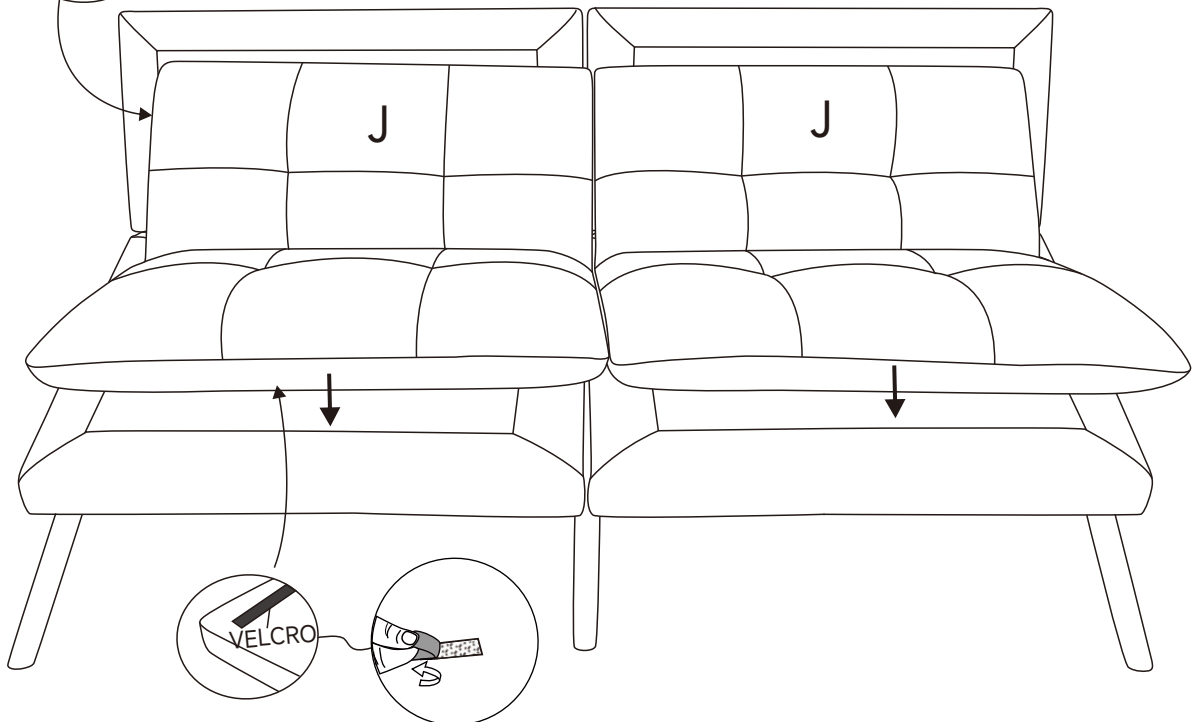
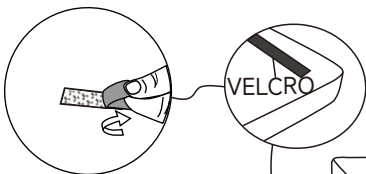


STEP 3

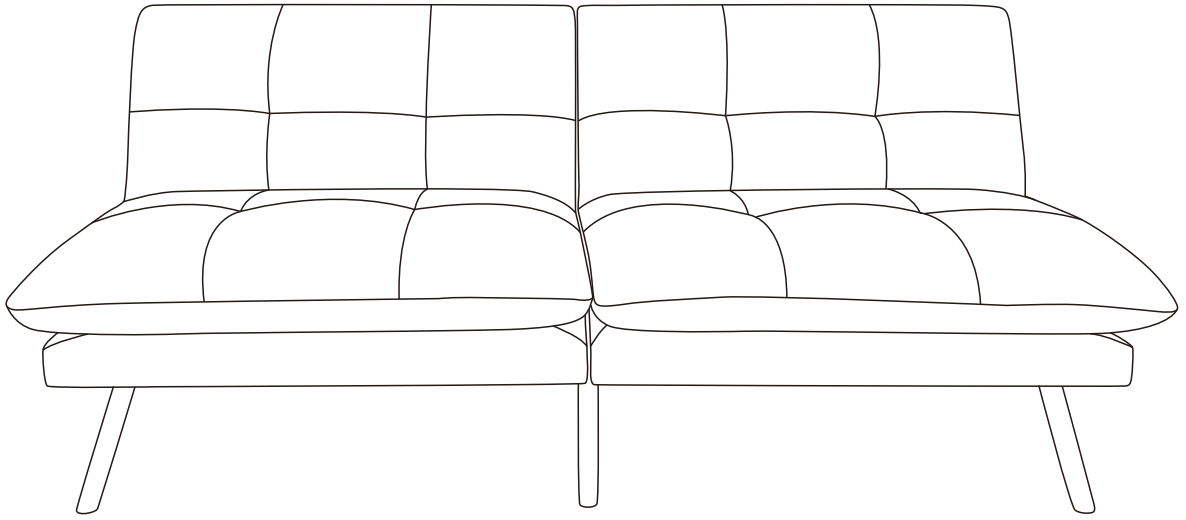
	Ax12
	Bx1
	Cx12
	Dx4
	Ex2



STEP 4



STEP 5



If in any case, you are not 100% happy with the item received, would you please contact us first and give us a chance to make it right for you? All of our products are covered by warranty and we will do our best to address any of your concerns. We are dedicated to your 100% satisfaction with your order.