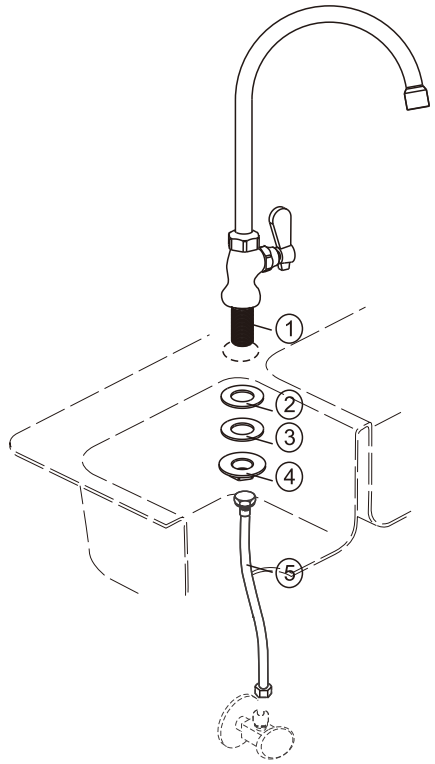
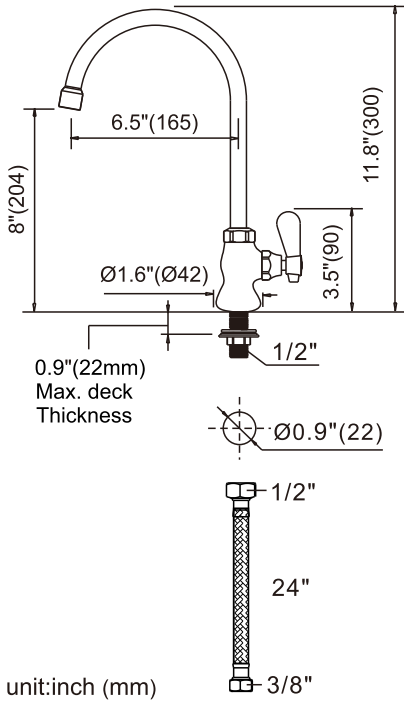


# Installation instructions

## Pantry and Workboard Faucets

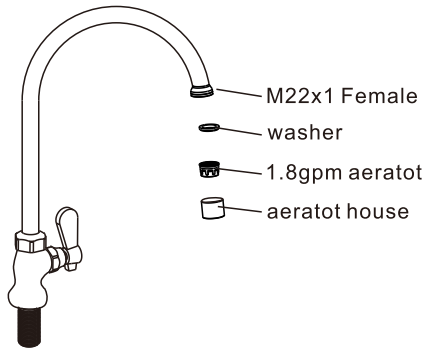
2317900C



1. Slide faucet down through mounting hole on sink.  
Option: If sink is uneven, use silicone under the faucet.
2. Place gasket(2) and SS304 gasket(3) over thread rod (1) under sink.
3. Screw hexagonal lock nut (4) on to mounting stud (1) and tighten.

Attach waterlines ,do not overtighten. Waterlines:3/8" hot & cold hoses , If you need G1/2" hoses, please email us to buy 3/8" standard pipe connection G1/2" adapter included.

**FLUSH SYSTEM/CHECK FOR LEAKS.** Turn on hot and cold water supplies and flush water lines for one minute. Check all connections at arrows for leaks. Retighten if necessary, but do not overtighten.



With 1.8 gpm are compliant with California water efficiency regulations, Complies with California Proposition 65 and with the Federal Safe Drinking Water Act.

In areas with extremely low water pressure causing the faucet water flow to be unsatisfactory , replace the 2.2 gpm aerator to improve the water flow in the faucet.