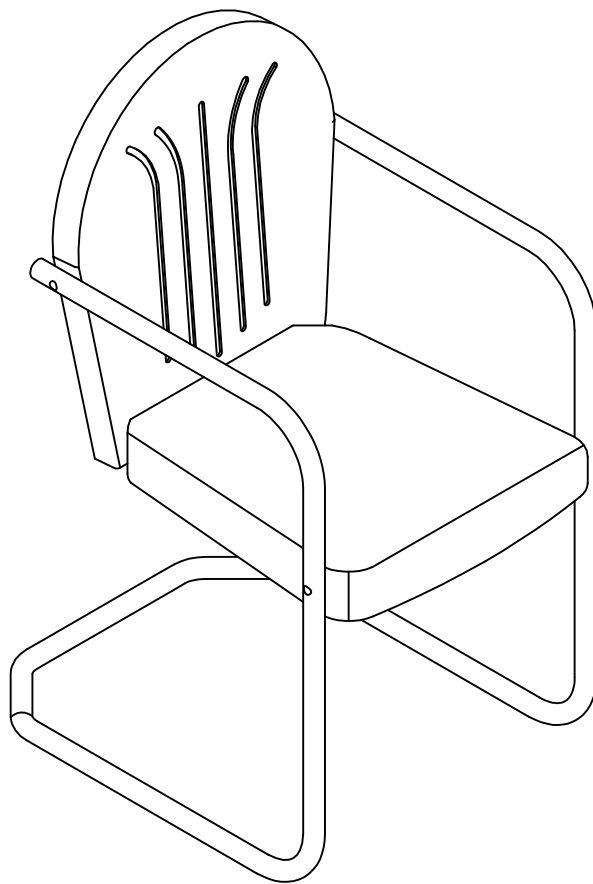


METAL CHAIR

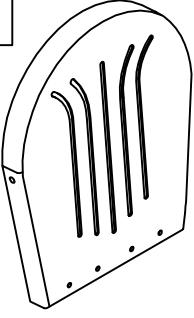
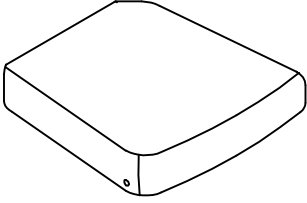
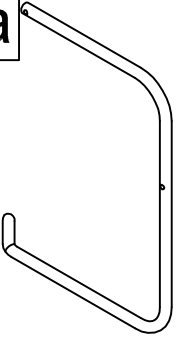
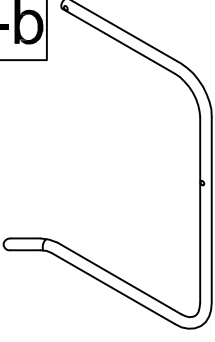
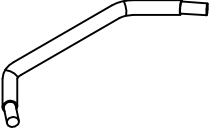


Congratulations! You have purchased a stylish piece of us. We strived to provide fine furniture products, built with quality materials and hand finished details. Please carefully follow the assembly instructions to ensure your furniture is assembled correctly to provide long lasting enjoyment.

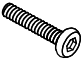


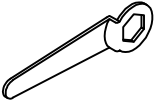

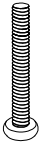


Should you experience any missing or damaged parts, **do not return to the store.** please contact us

Care: Use a soft, clean cloth that will not scratch the surface when cleaning. The use of solvents is not necessary. Should you choose to use solvents, test in an inconspicuous area first to avoid damaging the finish. TO clean, simply use a soft, clean cloth lightly dampened with water.

PART LIST

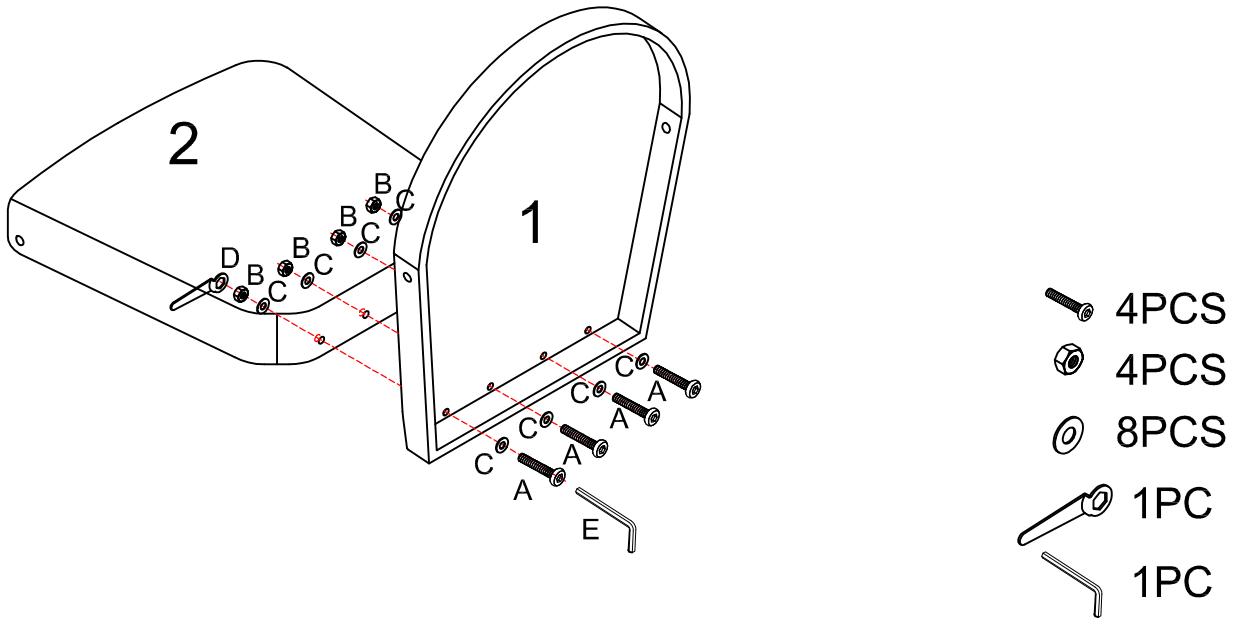
				
<p>Chair Back 1 PC</p>	<p>Chair Seat Base 1 PC</p>	<p>Left Support Leg 1 PC</p>	<p>Right Support Leg 1 PC</p>	<p>Leg Connector 1 PC</p>

HARDWARE LIST

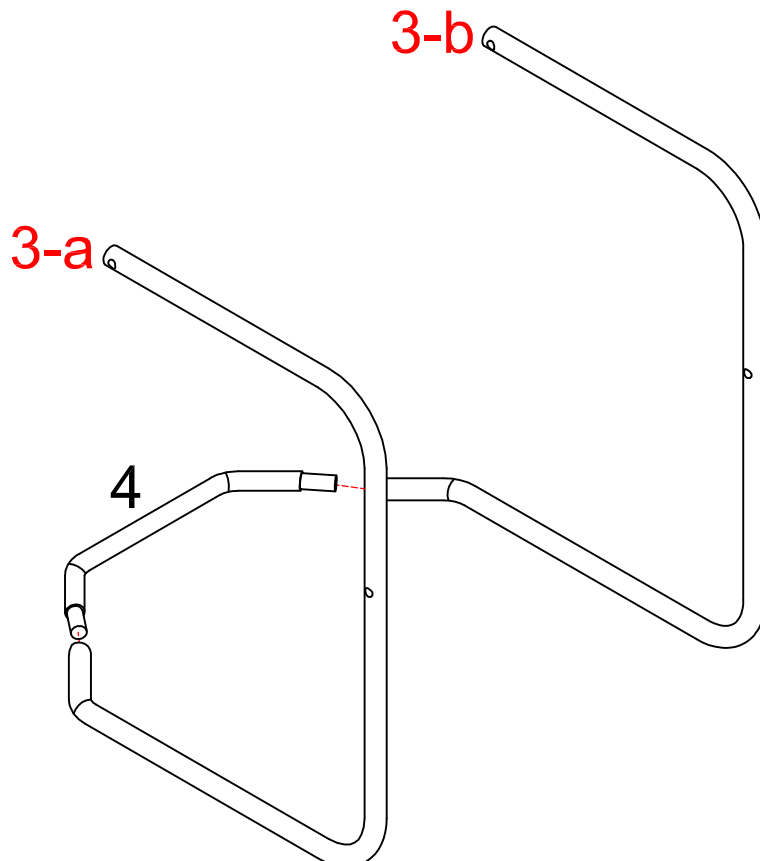
			
<p>Bolts (M6x13mm) 4 PCS</p>	<p>Nuts 8 PCS</p>	<p>Flat Washers 16 PCS</p>	<p>Wrench 1 PC</p>
			
<p>Allen Wrench 1 PC</p>	<p>Long Bolts (M6x40mm) 4 PCS</p>	<p>Plastic Washers 4 PCS</p>	<p>Tube Caps 2 PCS</p>

IMPORTANT NOTE: WE RECOMMEND TWO PEOPLE WORK TOGETHER TO ASSEMBLE THE CHAIR

STEP 1 Attach the Seat (2) and Back (1) using 4 Bolts (A), 8 Washers (C) and 4 Nuts (B). Do not tighten until after you have completed the entire assembly process.

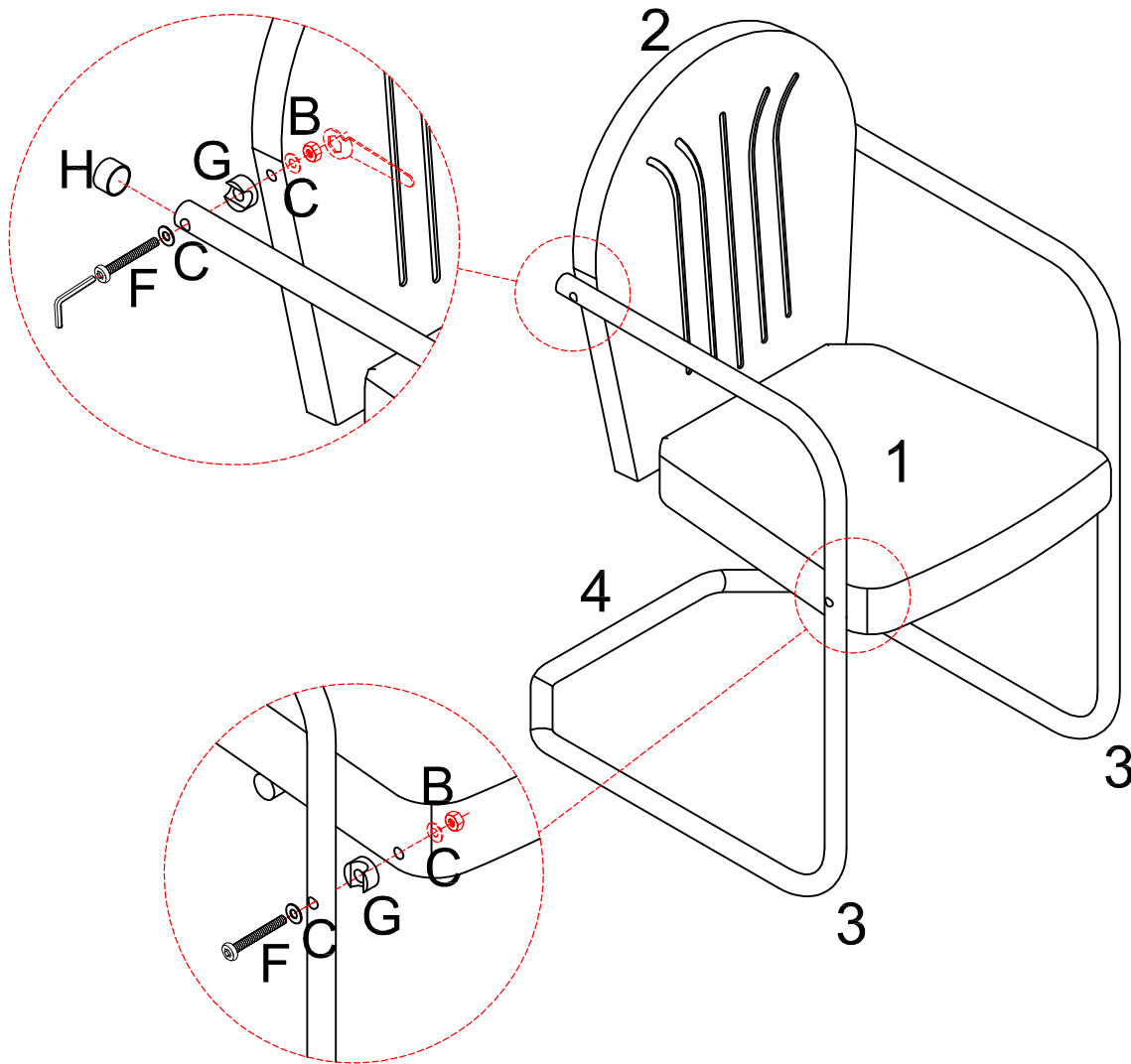


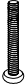




STEP 2 Attach the Left Support Leg (3-a) and Right Support Leg (3-b) using the Leg Connector (4).



STEP 3 Attach the 2 Support Legs (3) to the Seat (1) and Back (2) using the 4 Long Bolts (F), 4 Plastic Washers (G), 8 Flat Washers (C), and 4 Nuts (B). And add the Tube Cap (H) to the Support Legs (3). Do not tighten until after you have completed the entire assembly process.

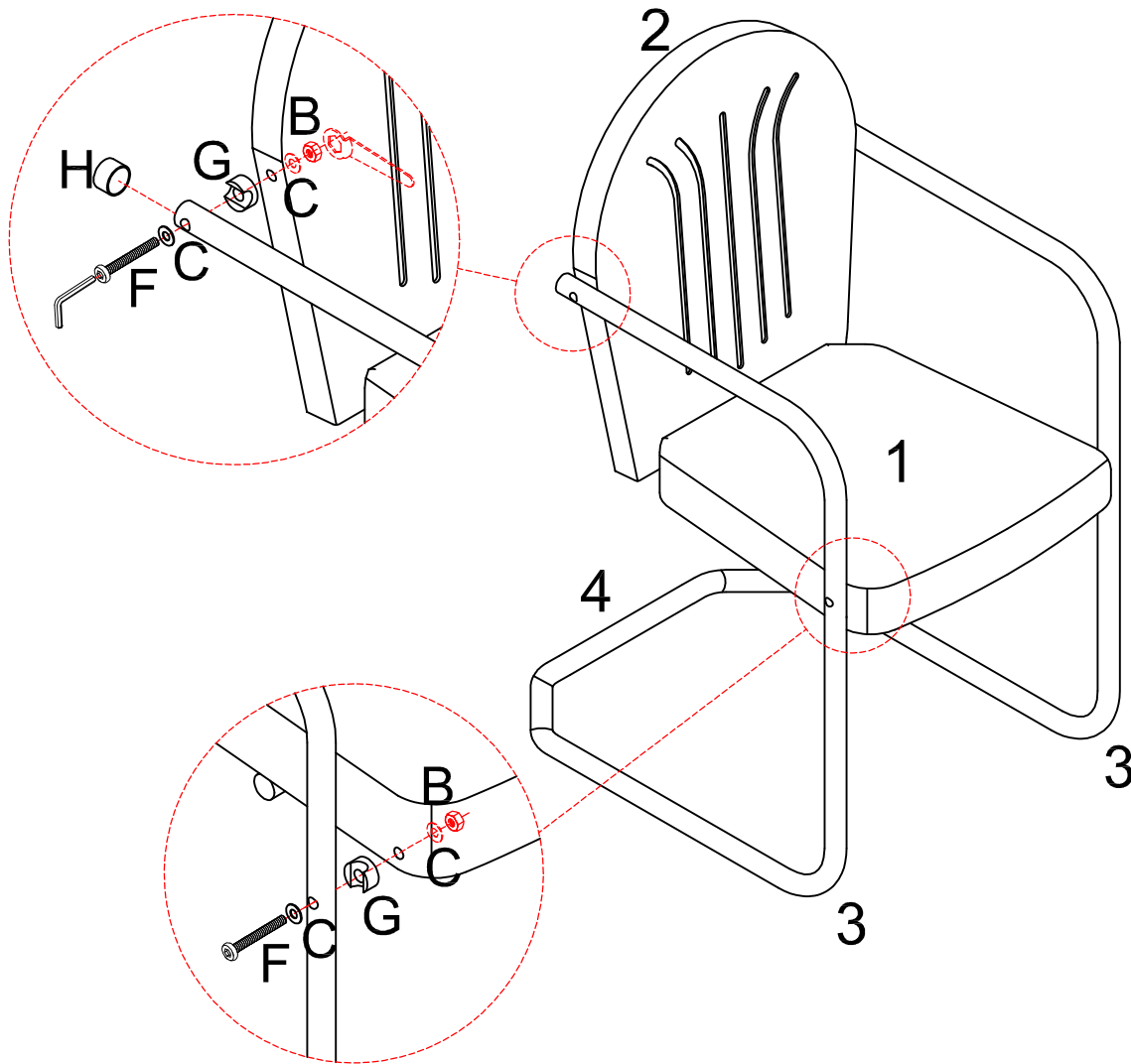
Once assembly has been completed, place the chair on a flat level surface and tighten all Nuts using the Wrench (D) to hold the Nuts (B) and tighten with the Allen Wrench (E) to firmly secure the patio chair.

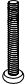






-  4PCS
-  4PCS
-  8PCS
-  4PCS
-  2PCS

STEP 3 Attach the 2 Support Legs (3) to the Seat (1) and Back (2) using the 4 Long Bolts (F), 4 Plastic Washers (G), 8 Flat Washers (C), and 4 Nuts (B). And add the Tube Cap (H) to the Support Legs (3). Do not tighten until after you have completed the entire assembly process.

Once assembly has been completed, place the chair on a flat level surface and tighten all Nuts using the Wrench (D) to hold the Nuts (B) and tighten with the Allen Wrench (E) to firmly secure the patio chair.



-  4PCS
-  4PCS
-  8PCS
-  4PCS
-  2PCS