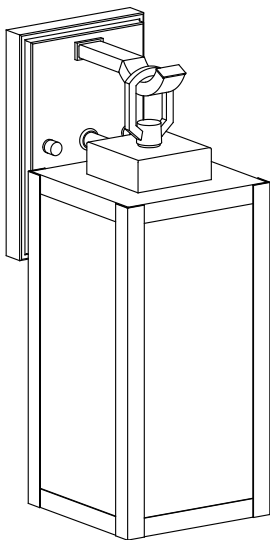


edishinē

Outdoor Wall Light

SKU: HOWL01E

[Instruction Manual]



Please pay attention to the warning signs
Read the instructions with caution before operating
and keep it properly

WARNING:

Risk of fire. Min 75°C supply conductors. Consult a qualified electrician to ensure correct installation. Before installation, please turn off the main power of the circuit breaker to prevent possible electric shock.

Packing List

Part	Description	Quantity
1	Wall light	2pcs
2	Wire Connectors	6pcs
3	Outlet Box Screws	4pcs
4	Mounting Bar	2pcs
5	Nuts	4pcs
6	Rubber Rings	4pcs
7	Instruction manual	1pc

Installation Instructions

NOTE: PLEASE INSTALL THIS WALL LANTERN 1.2 METERS 3.94 FEET ABOVE THE GROUND

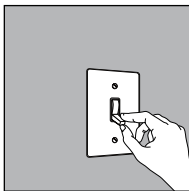


FIG.1 WALL SWITCH

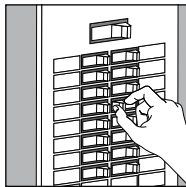


FIG.2 BREAKER PANEL

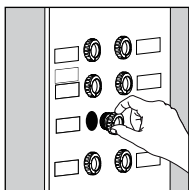


FIG.3 FUSE BOX

STEP 01: POWER OFF

FIG.1. Turn the wall switch to the "OFF" position.

Depending on which type of fuse box in your home.

FIG.2. Either turn the main (Master) switch to the "OFF" position to cut off the power supply of the entire home, or turn off the individual switch that supplies power to the fixture installation location.

OR

FIG.3. Either turn the main (Master) switch to the "OFF" position to cut off the power supply of the entire home, or unscrew the fuse that supplies or turn off the individual switch that supplies power to the fixture installation location.

STEP 02: CLEAN THE LIGHT

Cleaning: Cleaning the glass and sensor surface of the wall light with a soft and damp cloth. Dust will affect the sensitivity of sensor and brightness of the light.

STEP 03: INSTALL THE MOUNTING BAR

Unscrew the nuts and rubber rings, remove the mounting bar from the lamp body, and then fix the mounting bar to the wall or junction box(not included) with the outlet box screws.

STEP 04: CONNECT THE WIRE

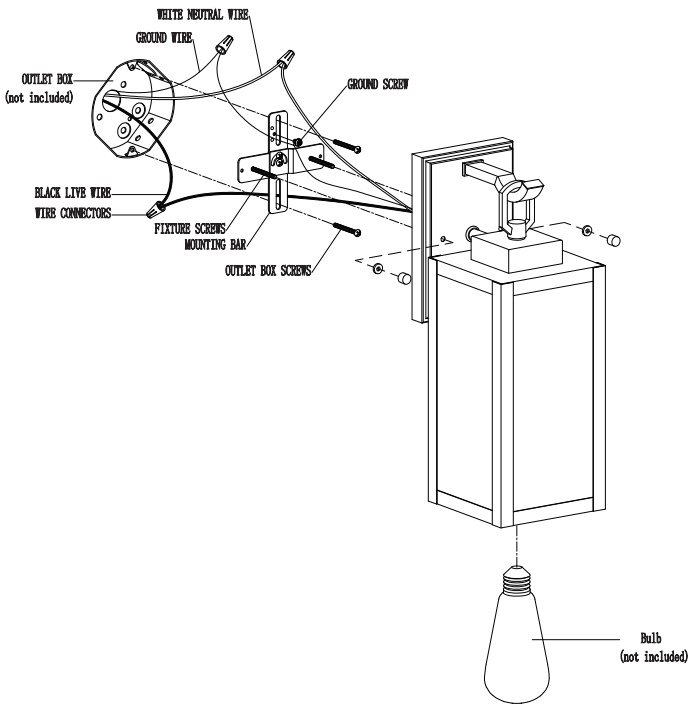
Connect black live wire, white neutral wire and ground wire with wire connectors, be sure that the wires are connected sturdily.

STEP 05: FIX THE LIGHT

Put back the rubber rings and tighten the nuts to fix the lamp body to the mounting bar.

STEP 06: INSTALL THE BULB AND TURN ON THE POWER

Install a ST58/A19 bulb (Bulb not included) in the wall light and then turn on the main (Master) switch to get the power back, the light will turn on automatically.



Specifications:

- Input Voltage: 120VAC 60Hz
- Max load Power for Bulb: Incandescent Bulb 60W(bulb not included)
- Socket Type: Standard medium E26
- Material: Steel and glass

One Year Limited Warranty

Supported by our professional R&D team and QC team, we provide One Year Warranty for materials and workmanship from the purchase date. Please note that the warranty does not cover damage caused by personal misuse or improper installation.

Please attach your Order ID and Name so that our dedicated customer service team can help you better.