







CARE AND MAINTENANCE

Spot clean using a mild water-free solvent. Only a professional cleaner should undertake a complete overall cleaning.
The use of steam or water-based cleaners may cause excessive shrinking or staining.

NOTICE

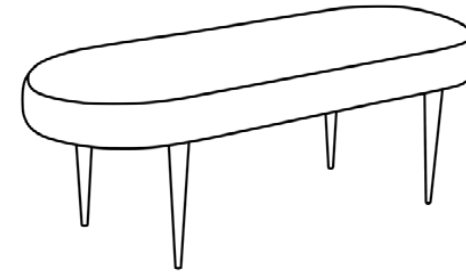
- * Please make sure that you have all parts indicated before you begin assembly of this item
- * This item should be assembled on a soft surface to prevent scratching the finish during assembly
- * This item may require periodic tightening

Part List and Hardware List

PIECE	DESCRIPTION	PICTURE	QUANTITY
A	Seat		1X
B	Legs		4X
HW1	Split Lock Washer(M6)		12X
HW2	Flat Washer(M6)		12X
HW3	Socket Screws 6*1.05*35MM		12X
HW4	Allen Key		1X

Dimensions:48.43"WX18.31"DX15.75"H

Weight Capacity: 275 lbs



WARNING: DO NOT STAND ON BENCH

WARNING: DO NOT OVER TORQUE WASHER/SCREWS

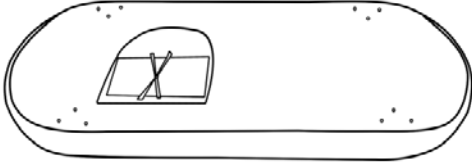
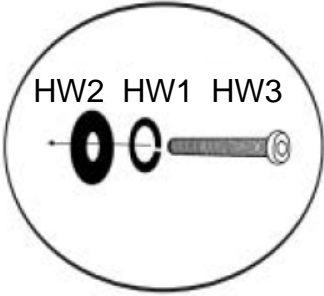
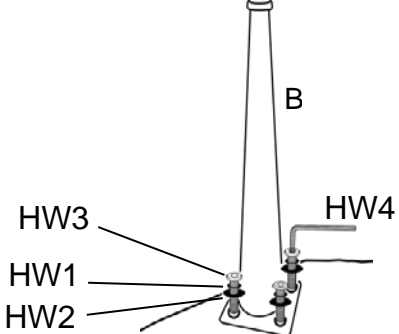
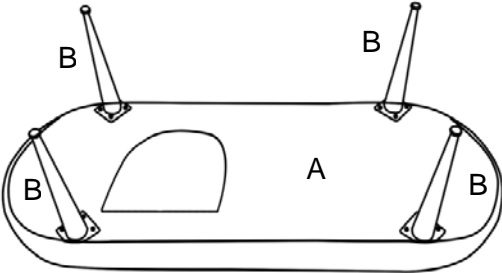
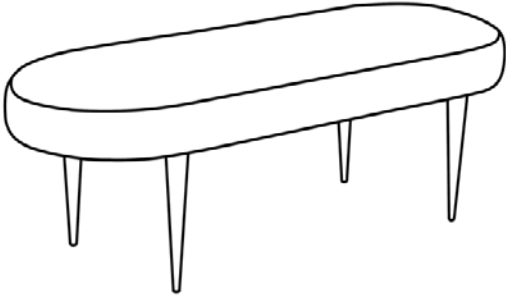
The legs and hardware are located underneath the bench in the zipper compartment

PREPARATION

Before beginning assembly of product, make sure all parts are present. Compare parts with package contents list and hardware contents list. If any part is missing or damaged, do not attempt to assemble the product.

Estimated Assembly Time: 10 minutes.

Tools Required for Assembly (included): Allen key

		
<p>STEP1 OPEN THE ZIPPER ON THE UNDERSIDE OF THE SEAT AND TAKE OUT LEGS AND HARDWARE</p>	<p>STEP2 PUT THE WASHERS ON THE SCREW IN THE ORDER SHOWN IN THE PICTURE</p>	<p>STEP3 INSERT THE LEGS AND SCREW IN THE SCREWS BUT DON'T TIGHTEN COMPLETELY.</p>
		
<p>STEP4 CLOSE THE ZIPPER ON THE UNDERSIDE OF THE SEAT</p>	<p>STEP5 PUT THE BENCH UPRIGHT AND MAKE SURE ALL LEGS ARE LEVEL, THEN FIRMLY TIGHTEN BOLTS WITH ALLEN KEY WHILE THE BENCH IS UPRIGHT AS PICTURED ABOVE(IF THE BENCH WOBBLY, YOU CAN EASY ADJUST LEG BOTTOM PLASTIC SCREW)</p>	
<p>The legs and hardware are located underneath the bench in the zipper compartment.</p>		