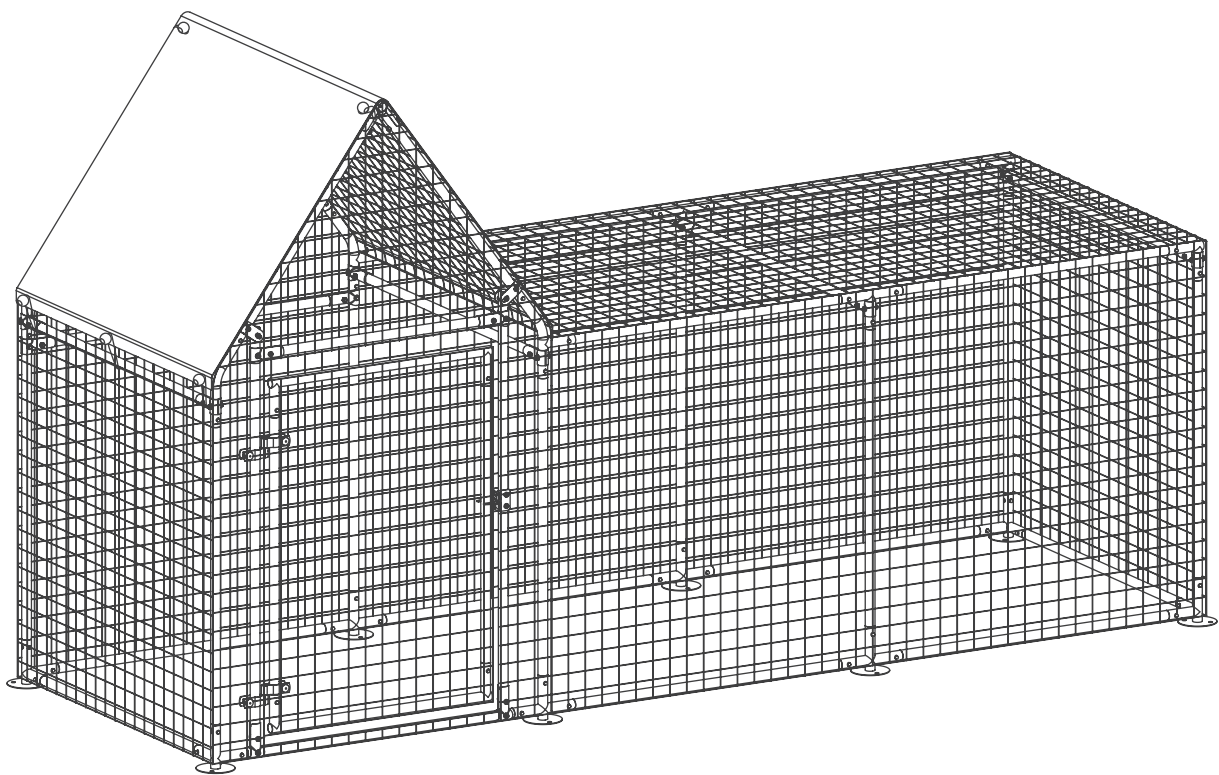


PawHut!

IN230400195V01_GL

D51-272V01



EN_IMPORTANT, RETAIN FOR FUTURE REFERENCE: READ CAREFULLY.

FR_IMPORTANT: A LIRE ATTENTIVEMENT ET À CONSERVER POUR CONSULTATION ULTÉRIEURE.

ES_IMPORTANTE, LEA Y GUARDE PARA FUTURAS REFERENCIAS.

PT_IMPORTANTE, RETER PARA REFERÊNCIA FUTURA: LEIA ATENTAMENTE.

DE_WICHTIG! SORGFÄLTIG LESEN UND FÜR SPÄTER NACHSCHLAGEN AUFBEWAHREN.

IT_IMPORTANTE! CONSERVARE IL PRESENTE MANUALE PER FUTURO RIFERIMENTO E LEGGERLO ATTENTAMENTE.

EN

Dear customer,

Thank you for purchasing this product. So that your appliance serves you well, please read all the instructions in this user's manual. If you have any questions, please contact our customer care center, Our contact details are below:

FR

Cher client,

Nous vous remercions d'avoir acheté ce produit. Afin que vous puissiez profiter pleinement de votre appareil, veuillez lire toutes les instructions de ce manuel d'utilisation. Si vous avez la moindre question, veuillez contacter notre centre d'assistance à la clientèle, Nos coordonnées sont les suivantes:

DE

Sehr geehrter Kunde,

Vielen Dank, dass Sie dieses Produkt erworben haben. Damit Ihr Gerät Ihnen gute Dienste leistet, lesen Sie bitte alle Hinweise in diesem Benutzerhandbuch. Wenn Sie Fragen haben, wenden Sie sich bitte an unser Kundendienstzentrum, Unsere Kontaktdaten stehen unten:

ES

Queridos clientes,

Gracias por comprar este producto. Para que su electrodoméstico le sirva mejor, lea todas las instrucciones de este manual del usuario. Si tiene alguna pregunta, comuníquese con nuestro Centro de Atención al Cliente, Nuestros datos de contacto son los siguientes:

PT



Caros clientes,

Obrigado por adquirir este produto. Para que o seu aparelho o sirva melhor, leia todas as instruções deste manual do utilizador. Se tiver alguma dúvida, por favor contacte o nosso Centro de Atendimento ao Cliente, Os nossos dados de contacto são os seguintes:

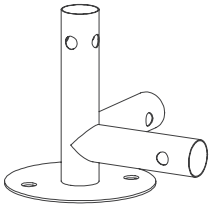
IT

Caro Cliente,

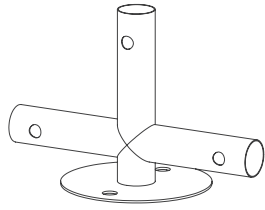
Grazie per aver acquistato questo prodotto. Per servirti meglio con questo apparecchio ti prego di leggere tutte le istruzioni in presente manuale utente. In caso di dubbio, si prega di contattare il nostro centro assistenza clienti, I nostri dettagli di contatto sono di seguito:

Country	 Phone	 Email
US	001-877-644-9366	customerservice@aosom.com
CA	416-792-6088	customerservice@aosom.ca
UK	0044-800-240-4004	enquiries@mhstar.co.uk
DE	0049-0(40)-88307530	service@aosom.de
FR	0033-1-84166106	aosom@mhfrance.fr
ES	0034-931294512	atencioncliente@aosom.es
PT	0034-931294512	info@aosom.pt
IT	0039-0249471447	clienti@aosom.it

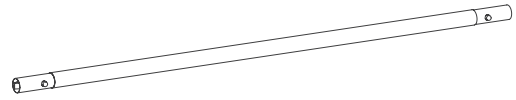
BEFORE ASSEMBLY



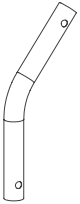
PART NO. **(A1)** x 4pcs



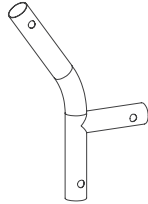
PART NO. **(B1)** x 4pcs



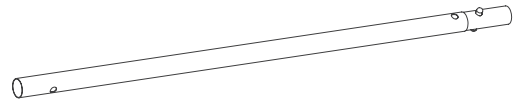
PART NO. **(1)** x 20pcs L:918mm



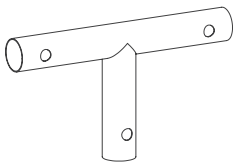
PART NO. **(C1)** x 2pcs



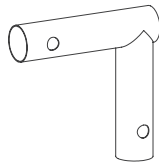
PART NO. **(D1)** x 2pcs



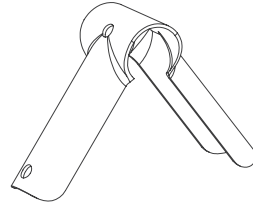
PART NO. **(3)** x 4pcs L:725mm



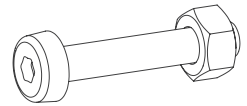
PART NO. **(E1)** x 2pcs



PART NO. **(F1)** x 2pcs



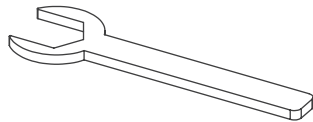
PART NO. **(G1)** x 2pcs



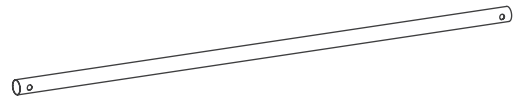
PART NO. **(T1)** x 28pcs
M6x35mm M6



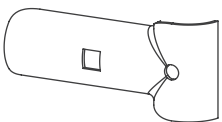
PART NO. **(Y1)** x 1pc



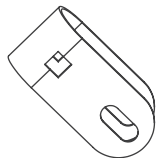
PART NO. **(Z1)** x 1pc



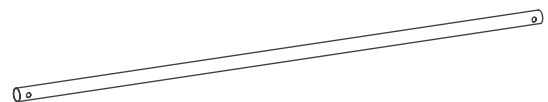
PART NO. **(2)** x 5pcs L:930mm



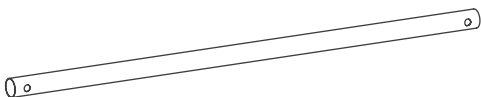
PART NO. **(H1)** x 28pcs



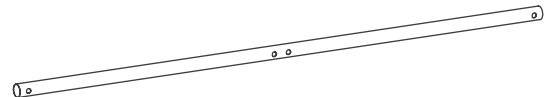
PART NO. **(I1)** x 2pcs



PART NO. **(6)** x 1pc L:1105mm

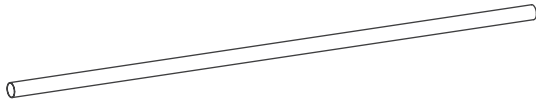


PART NO. **(5)** x 1pc L:692.5mm

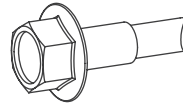


PART NO. **(7)** x 1pc L:1105mm

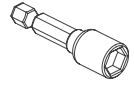
BEFORE ASSEMBLY



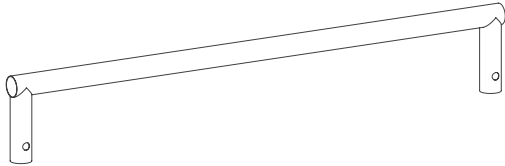
PART NO. **(4)** x 1pc L:1000mm



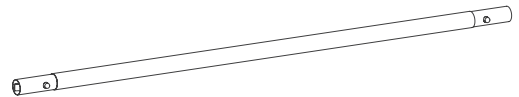
PART NO. **(U₁)** x 34pcs



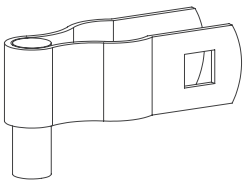
PART NO. **(X₁)** x 1pc



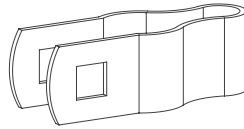
PART NO. **(9)** x 2pcs



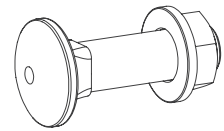
PART NO. **(8)** x 2pcs L:865mm



PART NO. **(J₁)** x 2pcs



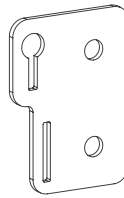
PART NO. **(K₁)** x 2pcs



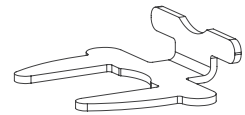
PART NO. **(V₁)** x 4pcs
M10x50mm M10



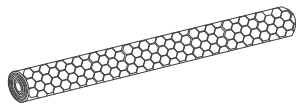
PART NO. **(W₁)** x 1pc



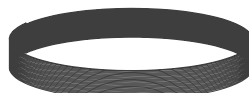
PART NO. **(L₁)** x 2pcs



PART NO. **(M₁)** x 1pcs



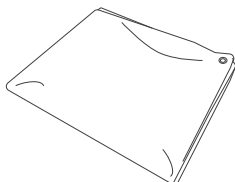
PART NO. **(S₁)** x 1pc



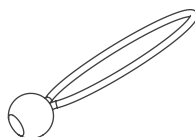
PART NO. **(N₁)**



PART NO. **(Q₁)**



PART NO. **(P₁)** x 1pc



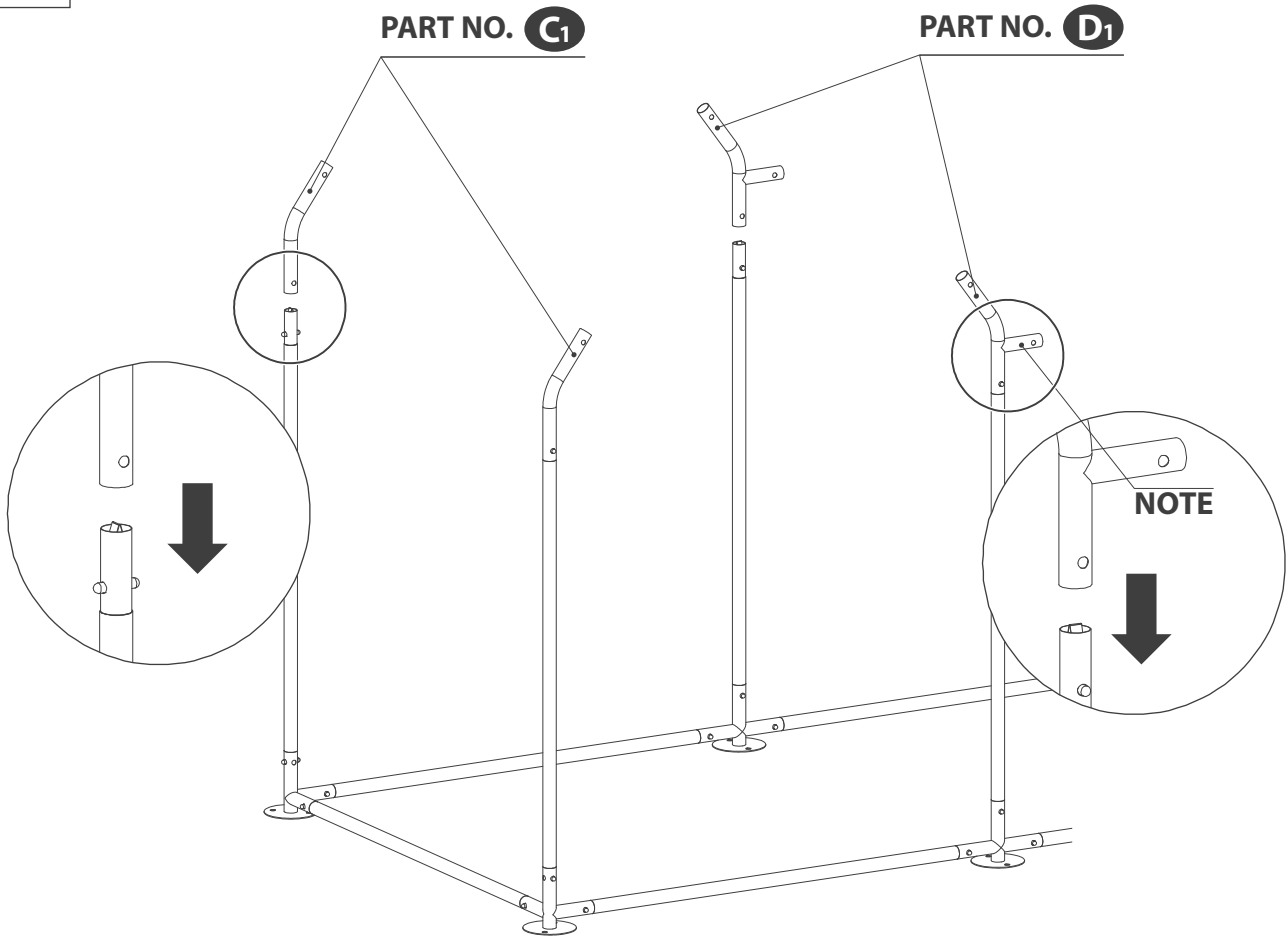
PART NO. **(R₁)** x 8pcs



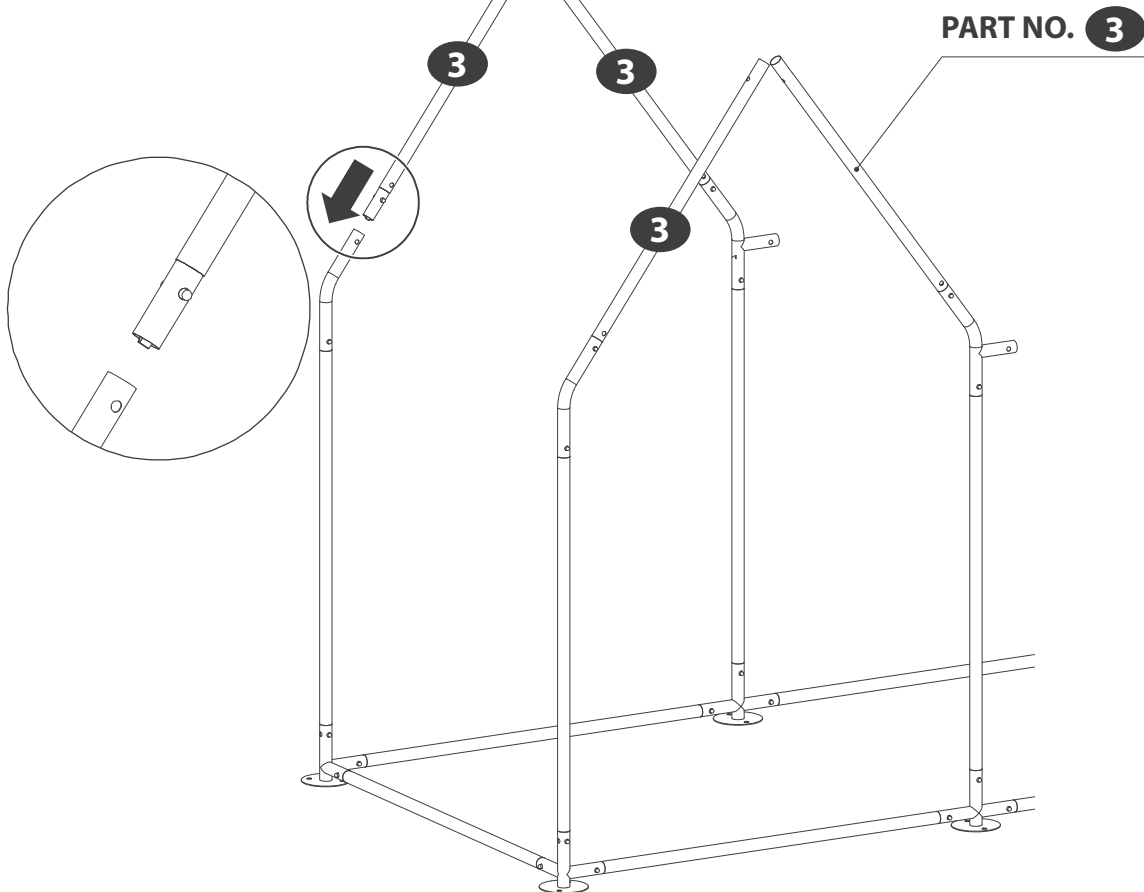
PART NO. **(O₁)** x 6pcs

ASSEMBLING YOUR CHICKEN RUN COOP

STEP 3

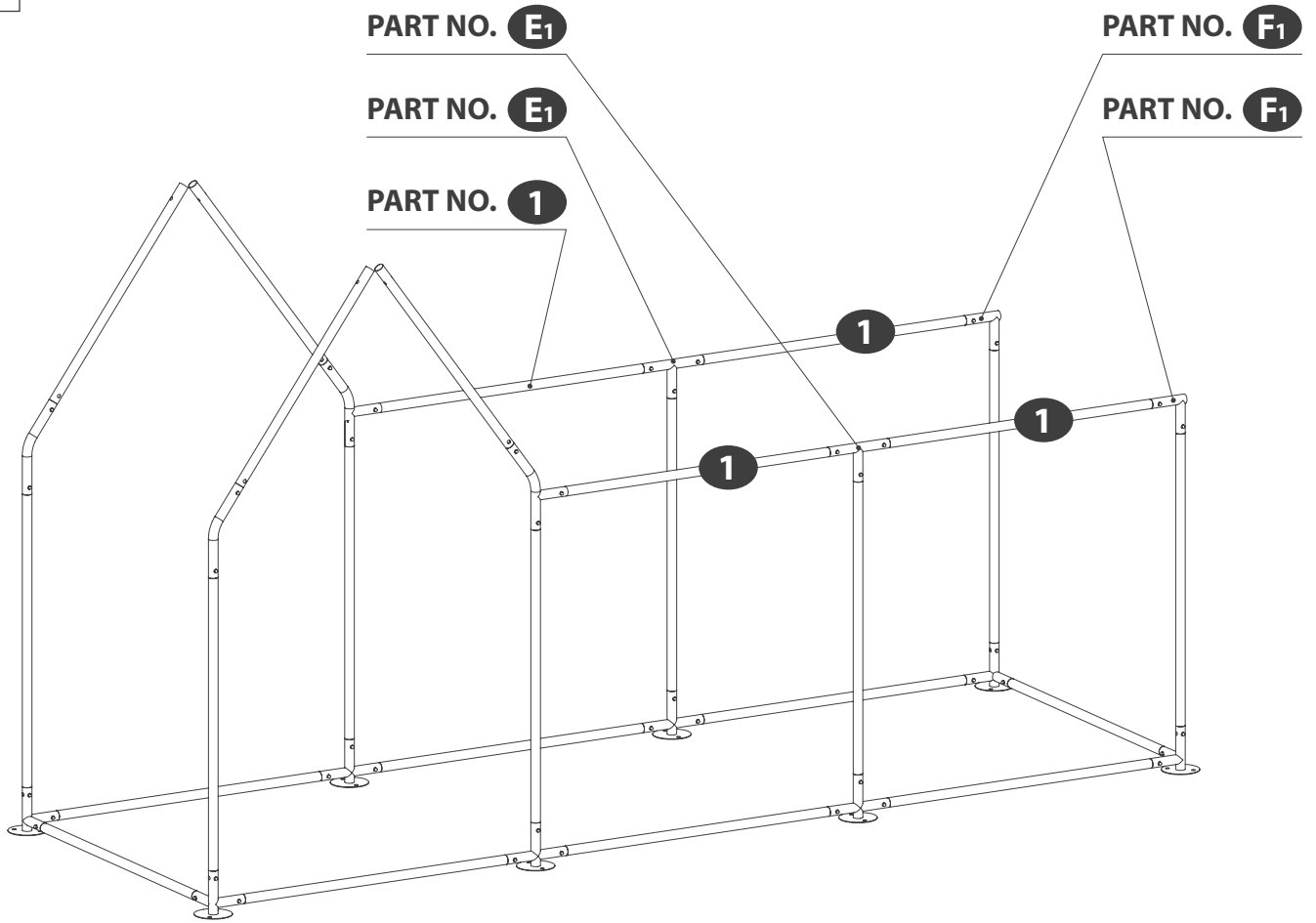


STEP 4

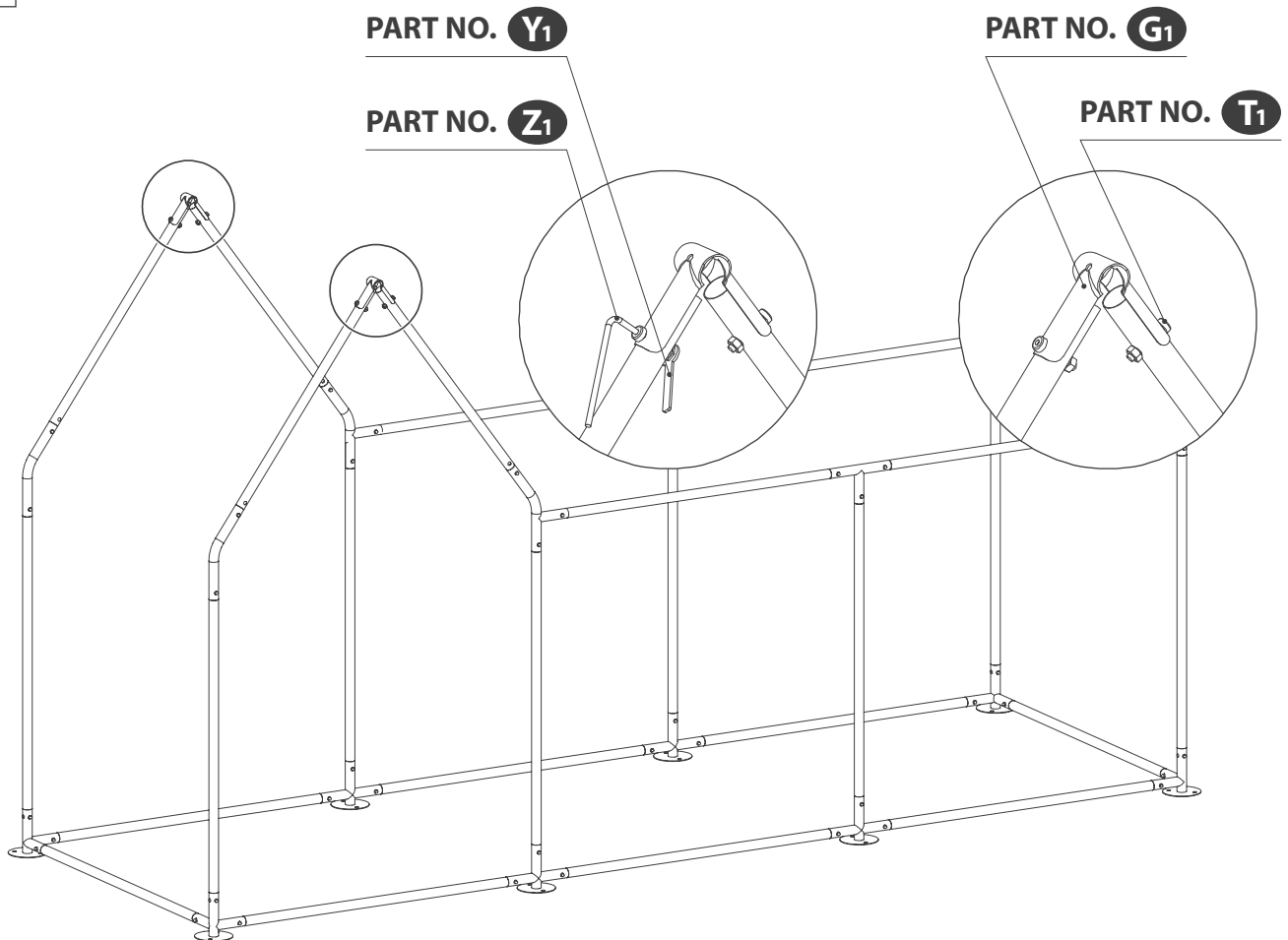


ASSEMBLING YOUR CHICKEN RUN COOP

STEP 5

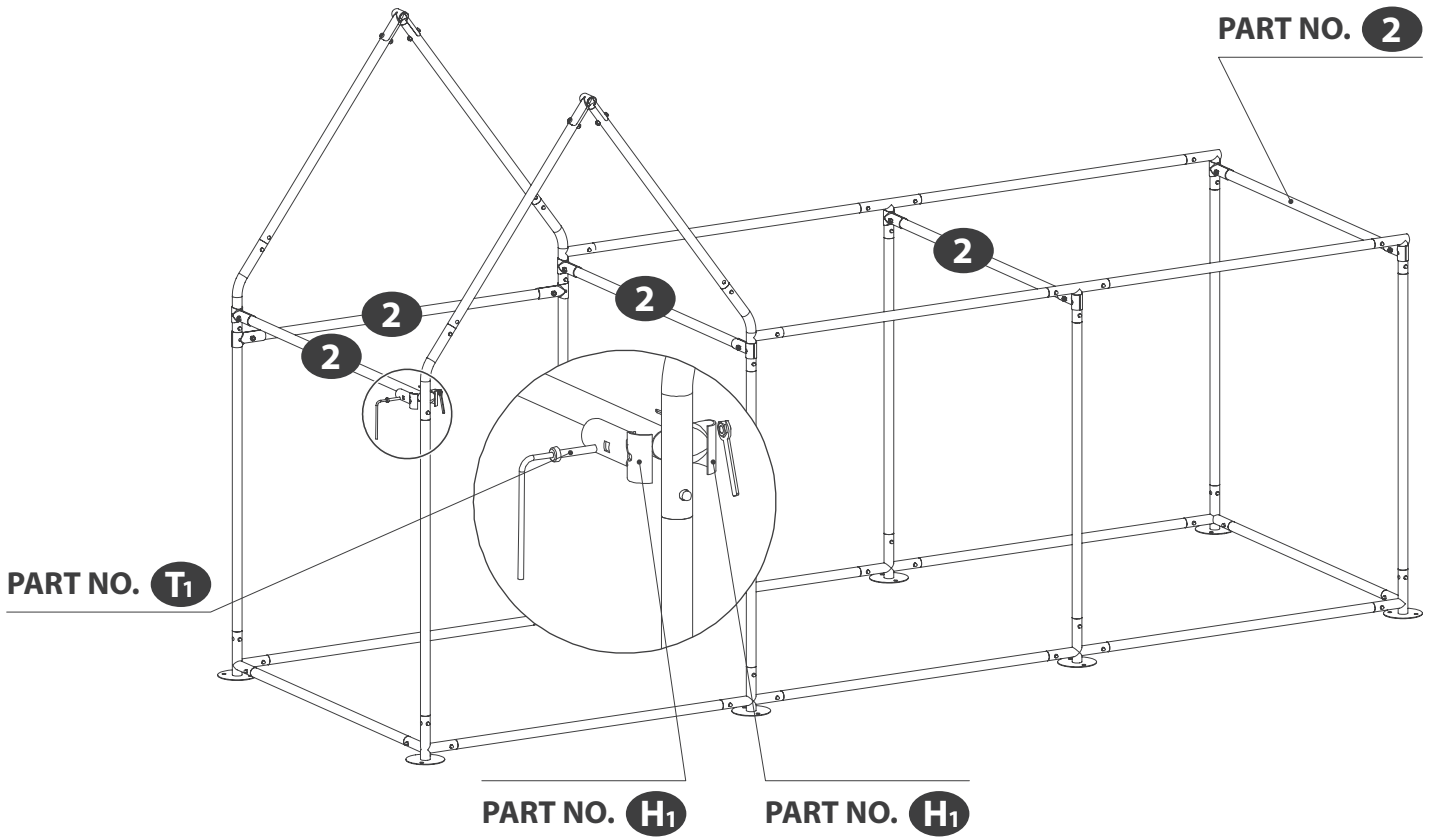


STEP 6

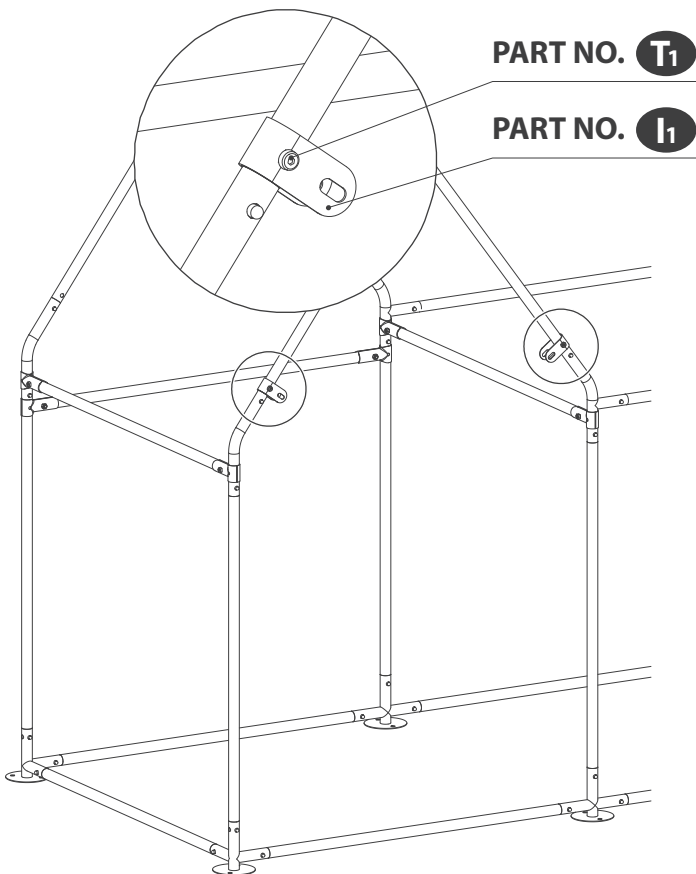


ASSEMBLING YOUR CHICKEN RUN COOP

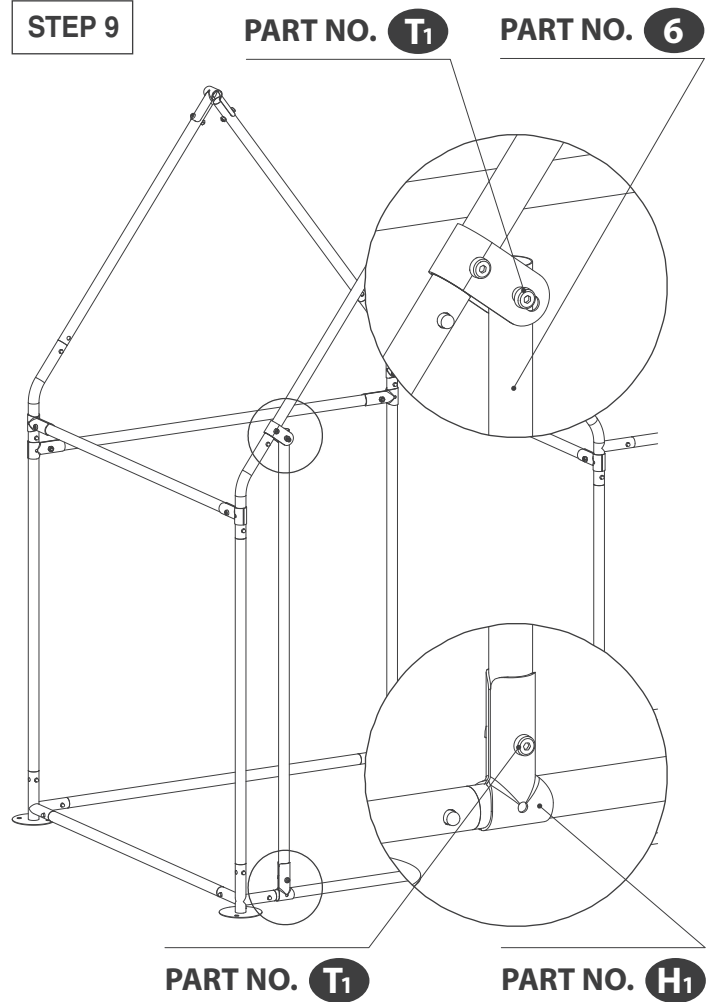
STEP 7



STEP 8



STEP 9



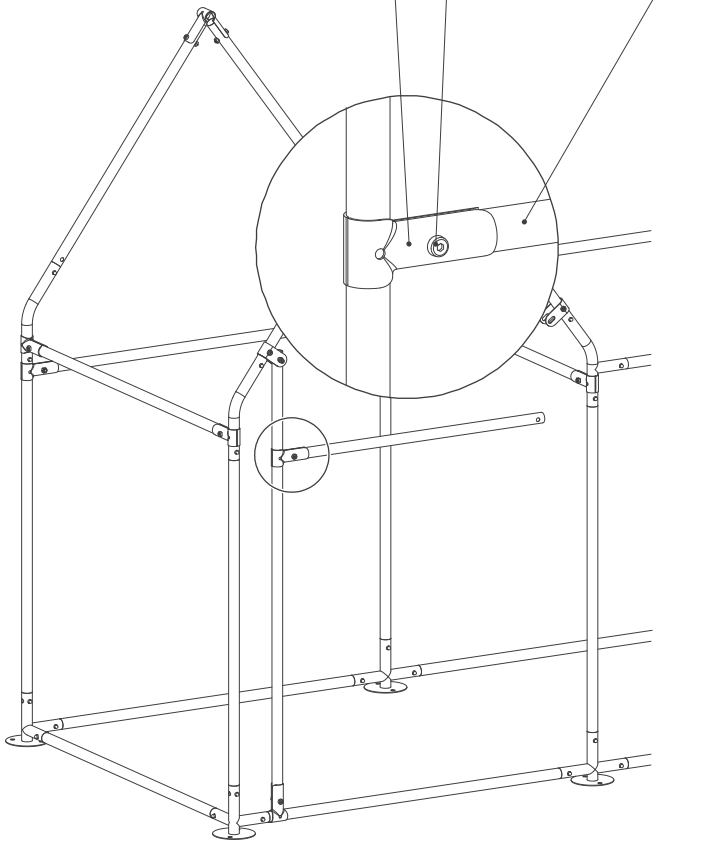
ASSEMBLING YOUR CHICKEN RUN COOP

STEP 10

PART NO. **T₁**

PART NO. **5**

PART NO. **H₁**

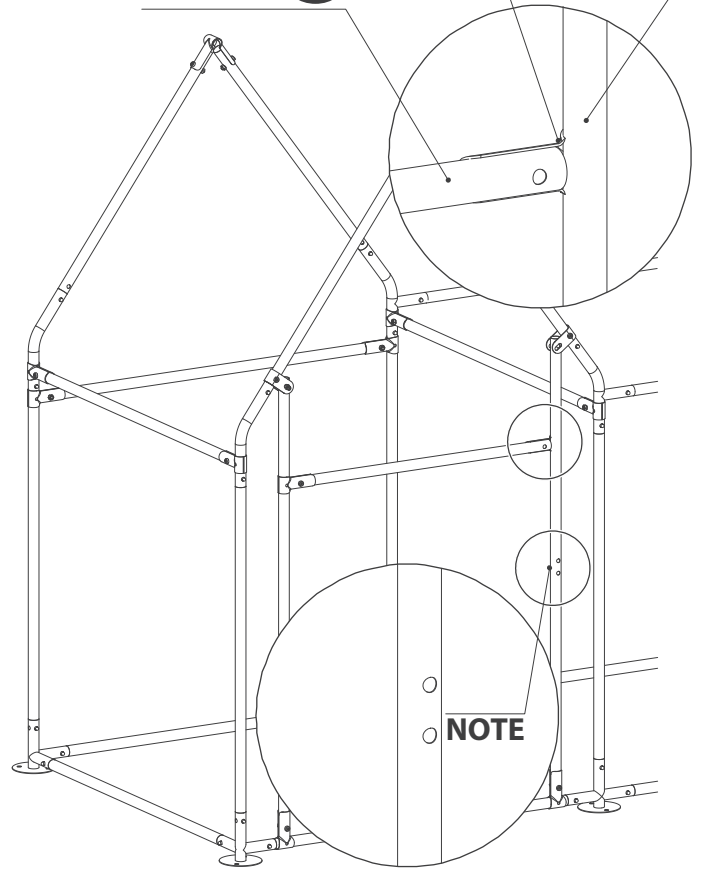


STEP 11

PART NO. **H₁**

PART NO. **7**

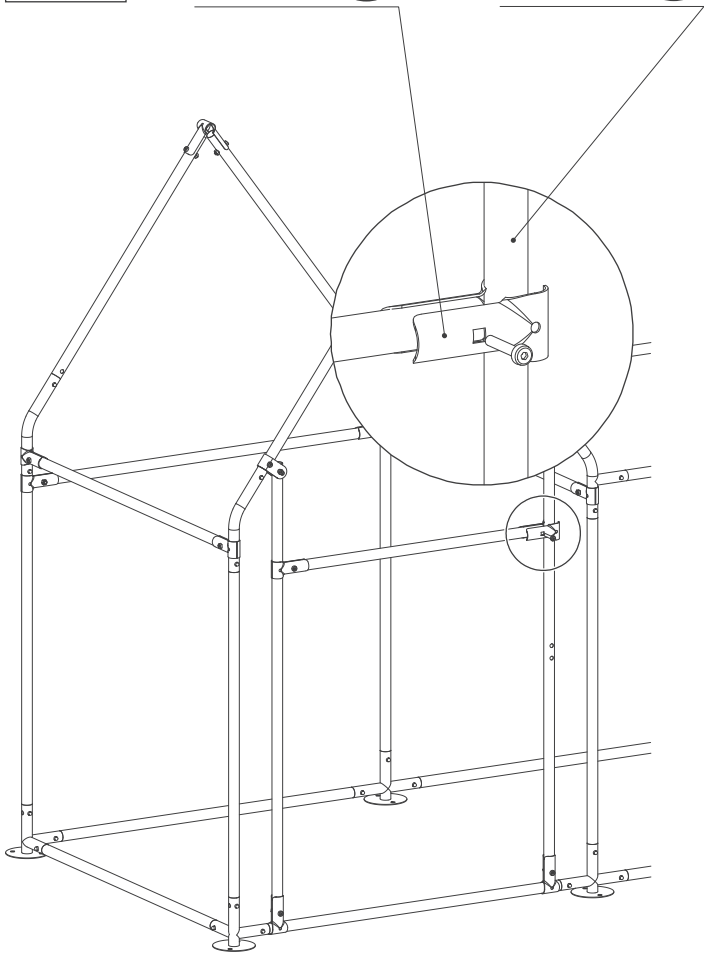
PART NO. **5**



STEP 12

PART NO. **H₁**

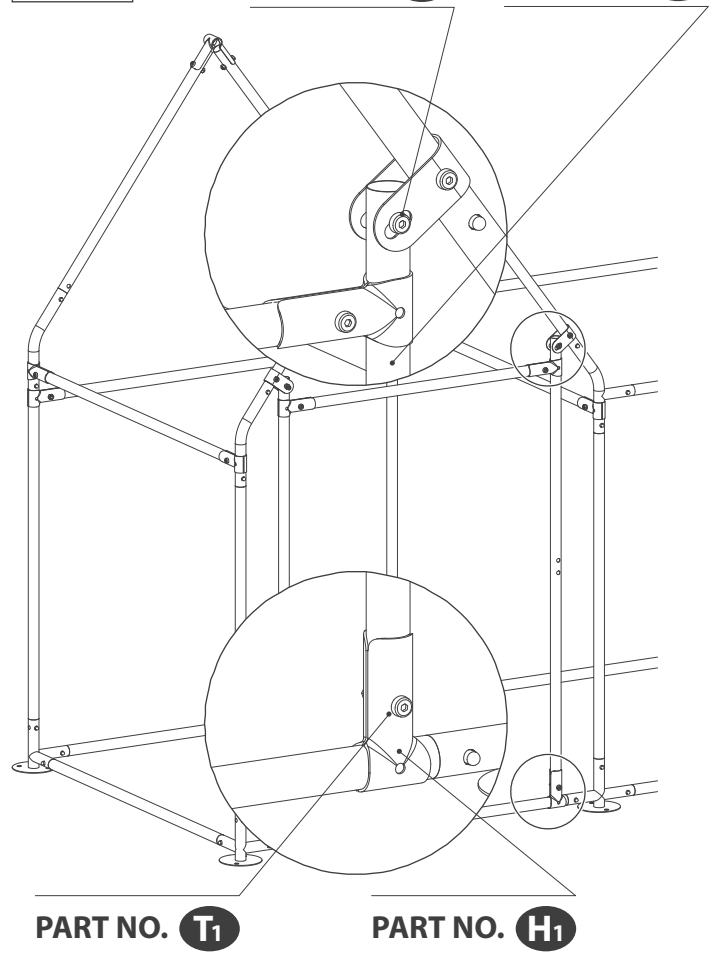
PART NO. **7**



STEP 13

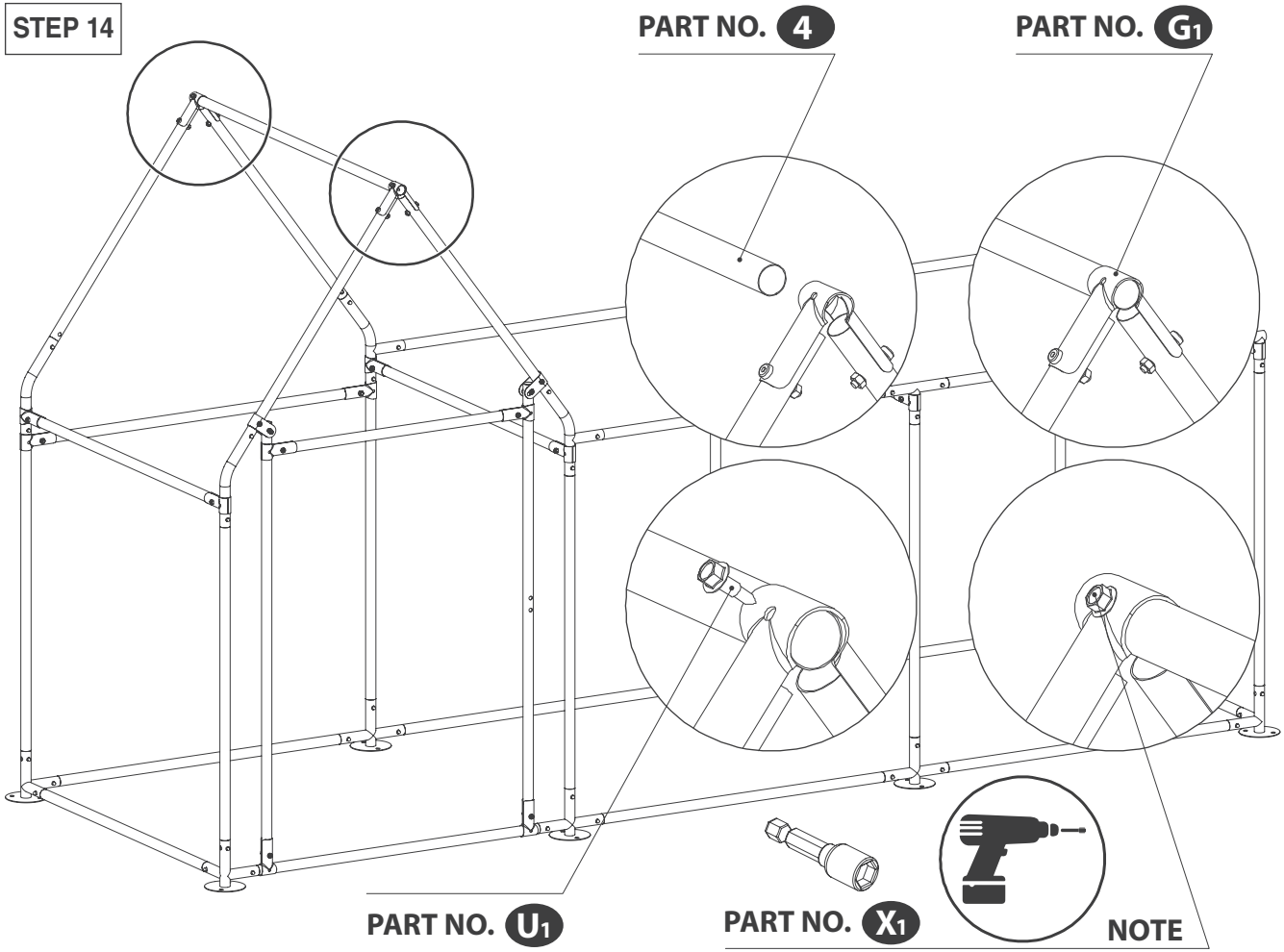
PART NO. **T₁**

PART NO. **7**

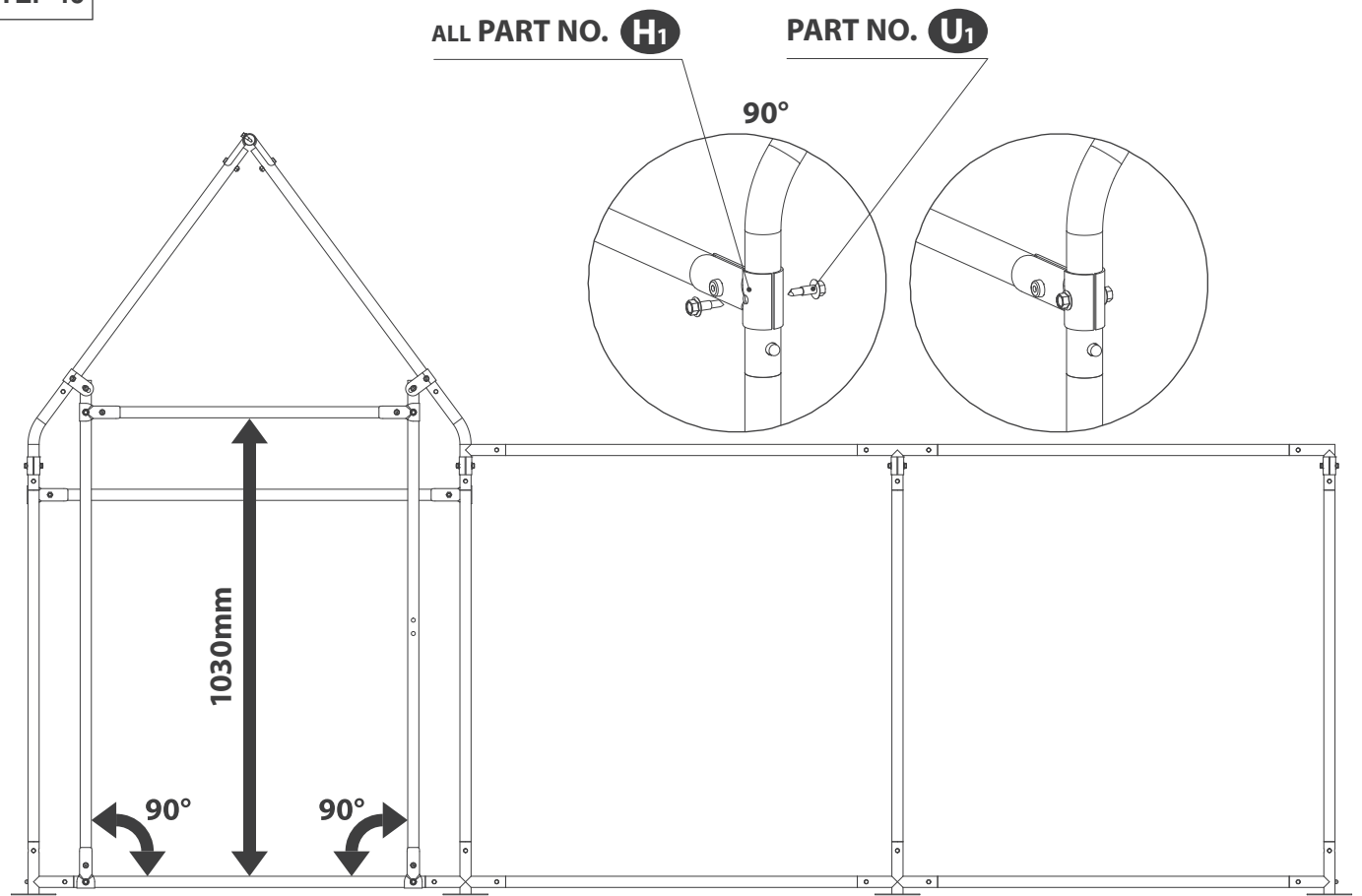


ASSEMBLING YOUR CHICKEN RUN COOP

STEP 14

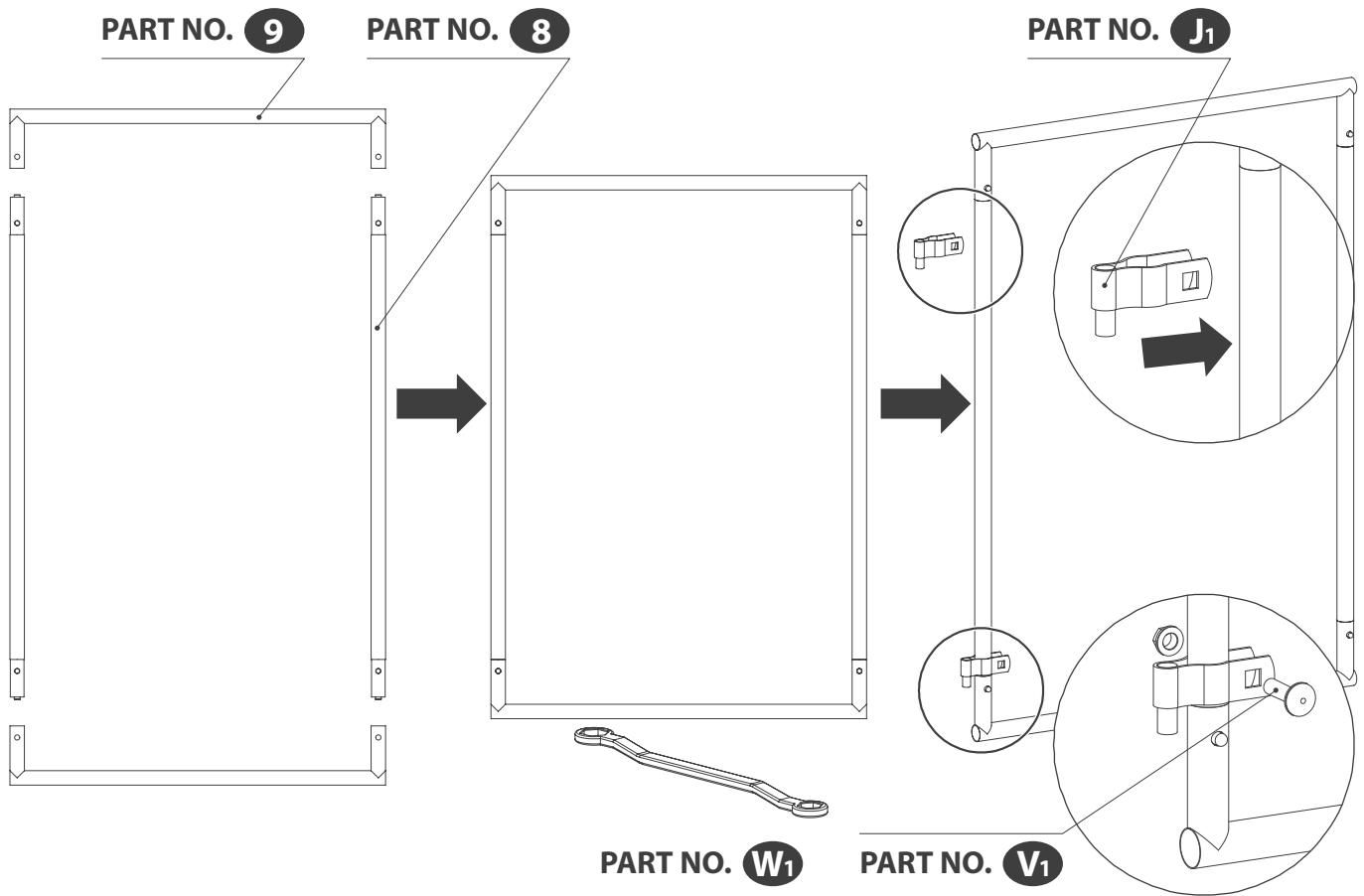


STEP 15

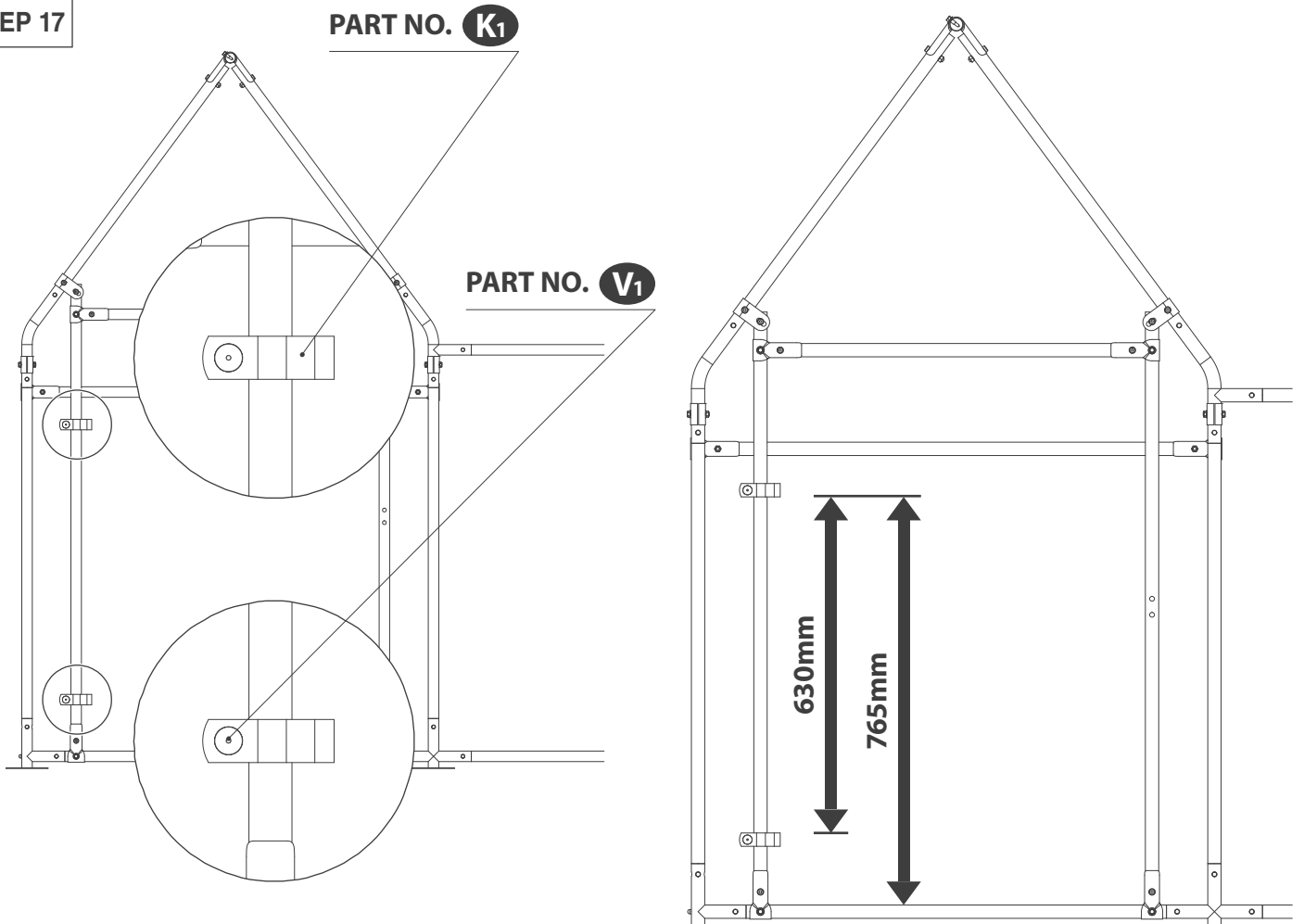


ASSEMBLING YOUR CHICKEN RUN COOP

STEP 16

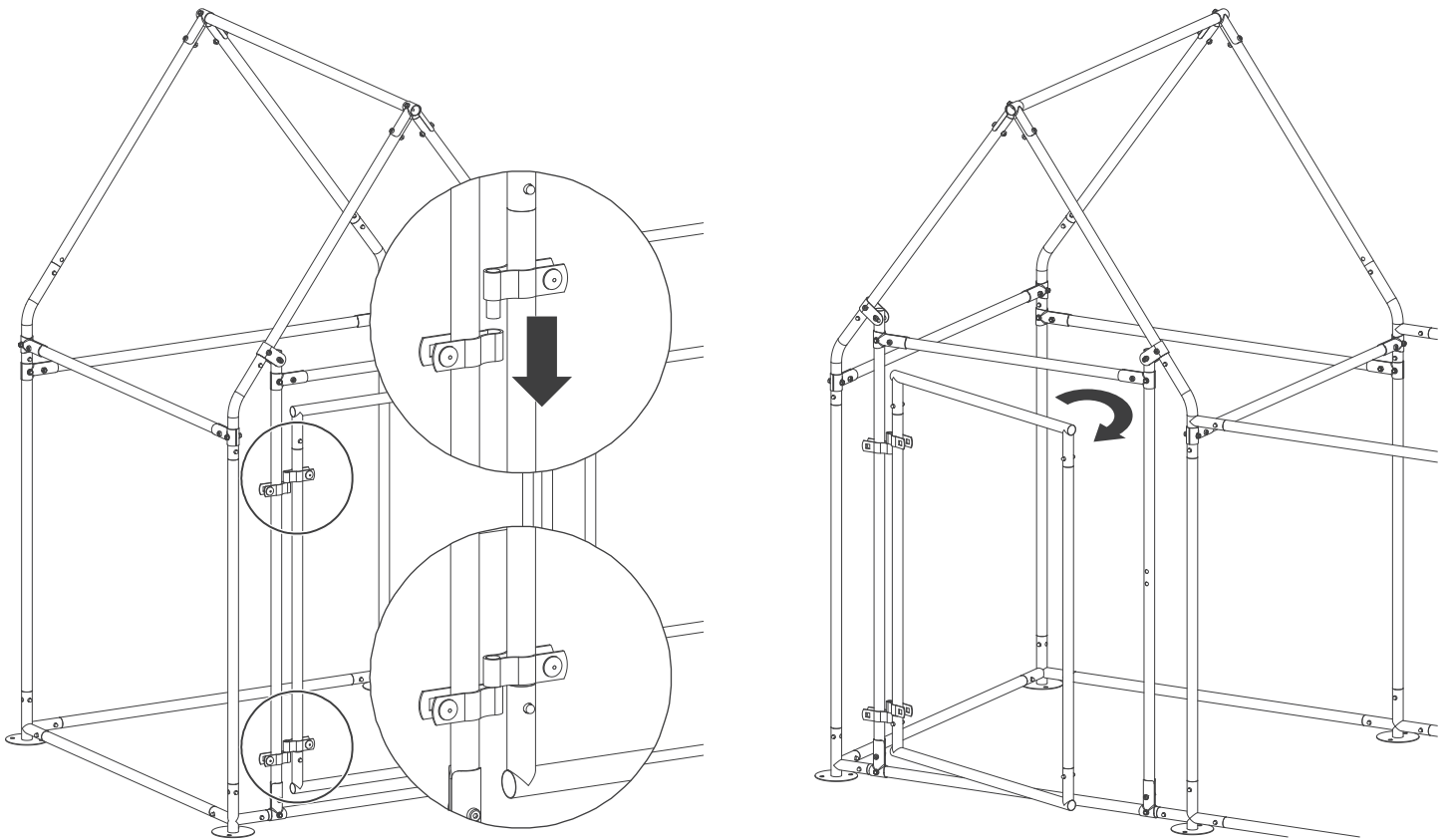


STEP 17



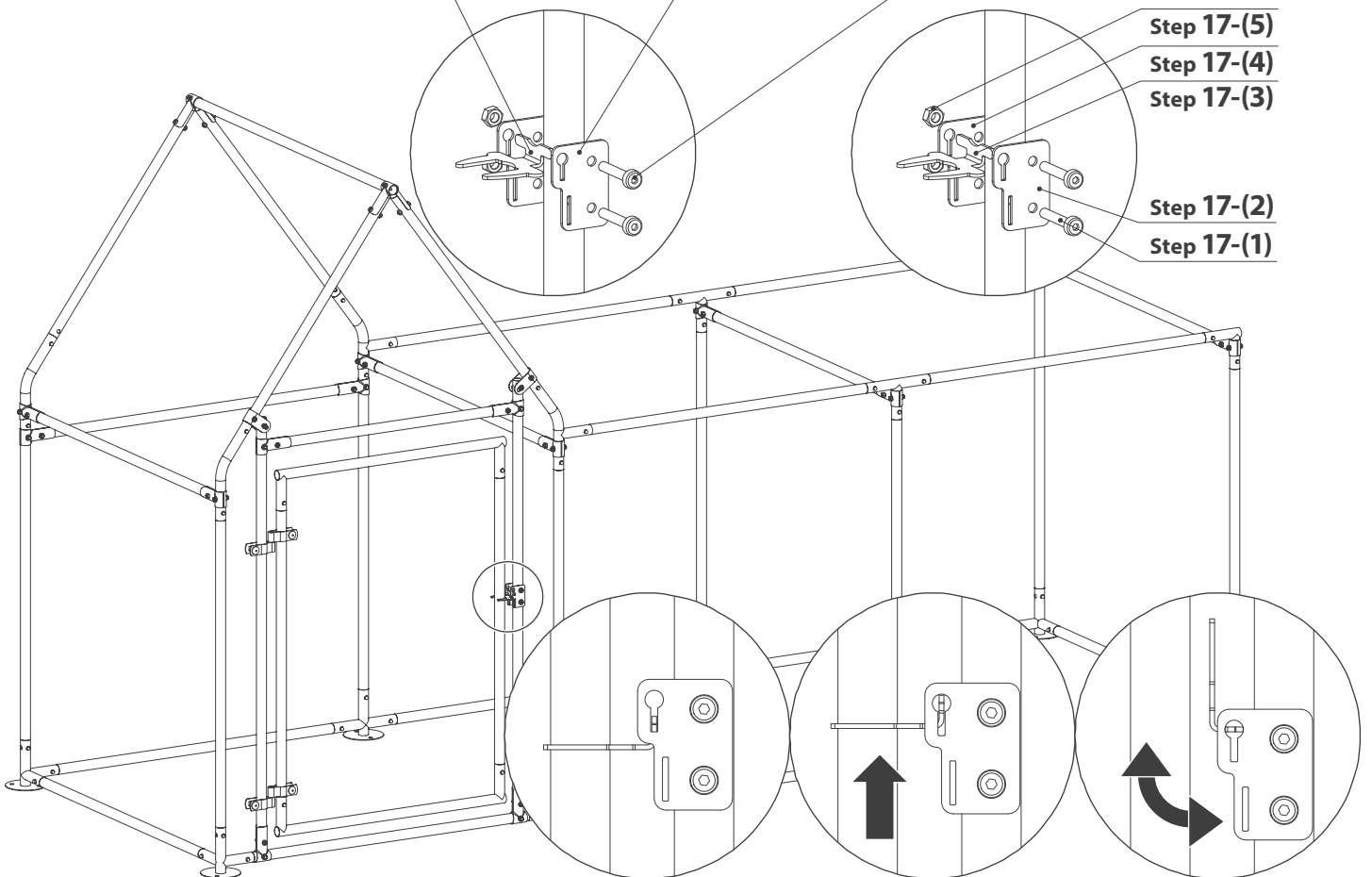
ASSEMBLING YOUR CHICKEN RUN COOP

STEP 16



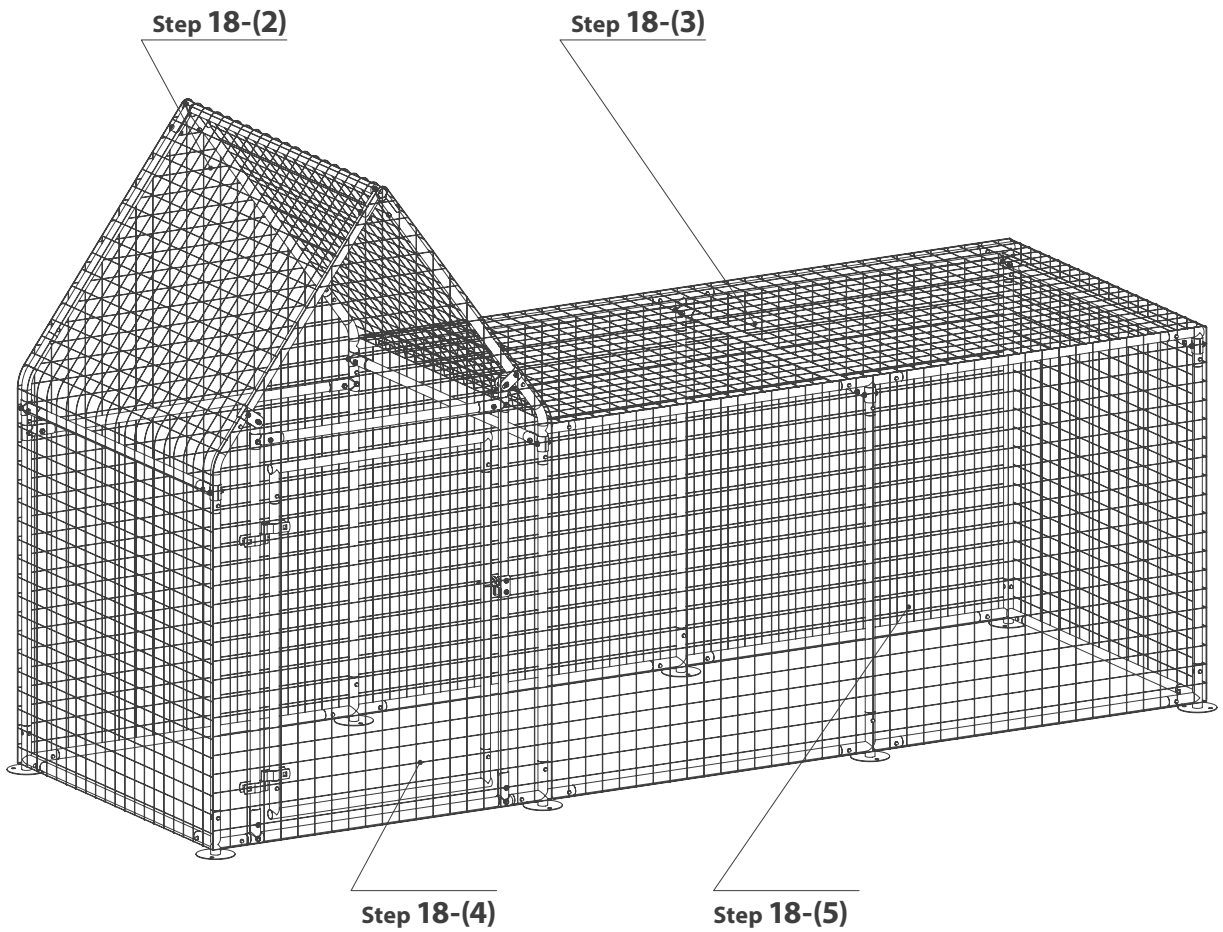
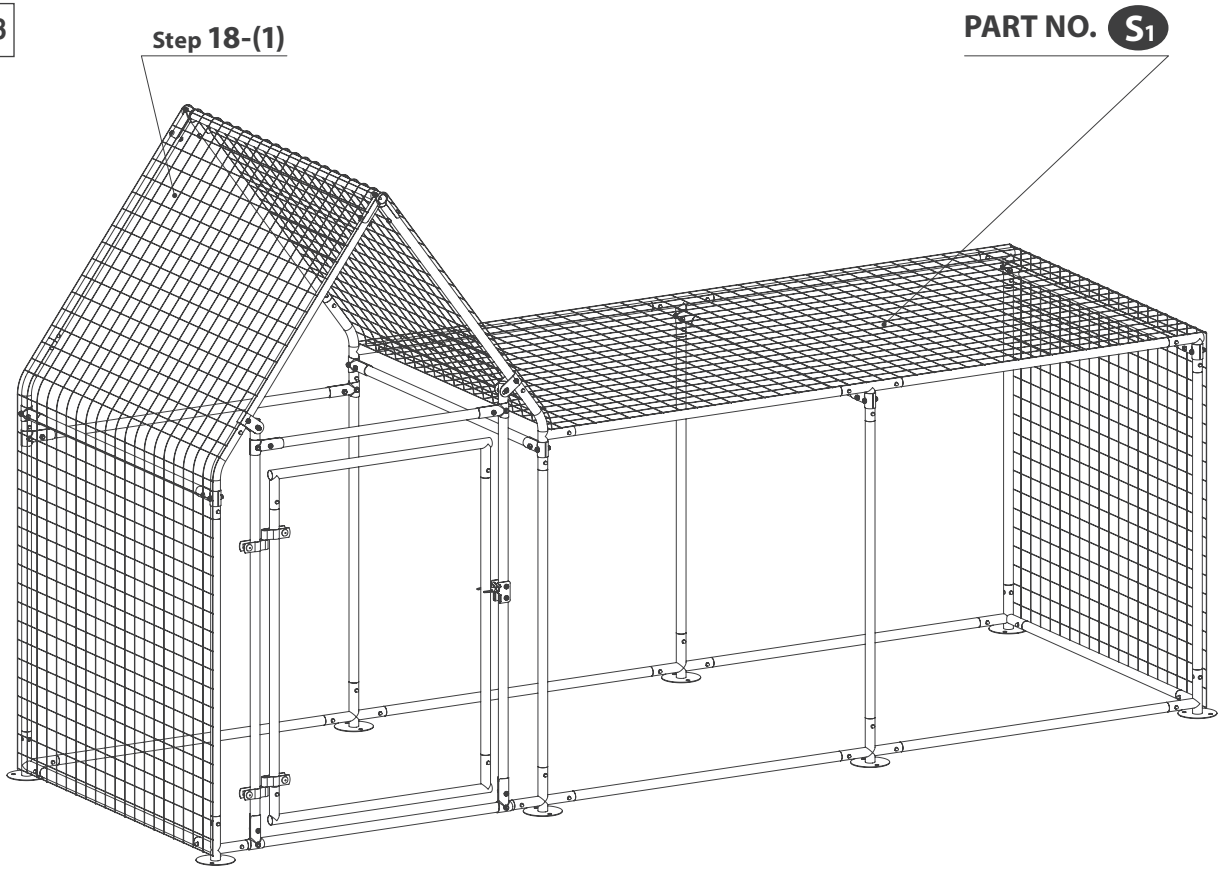
STEP 17

PART NO. **M₁** PART NO. **L₁** PART NO. **T₁**

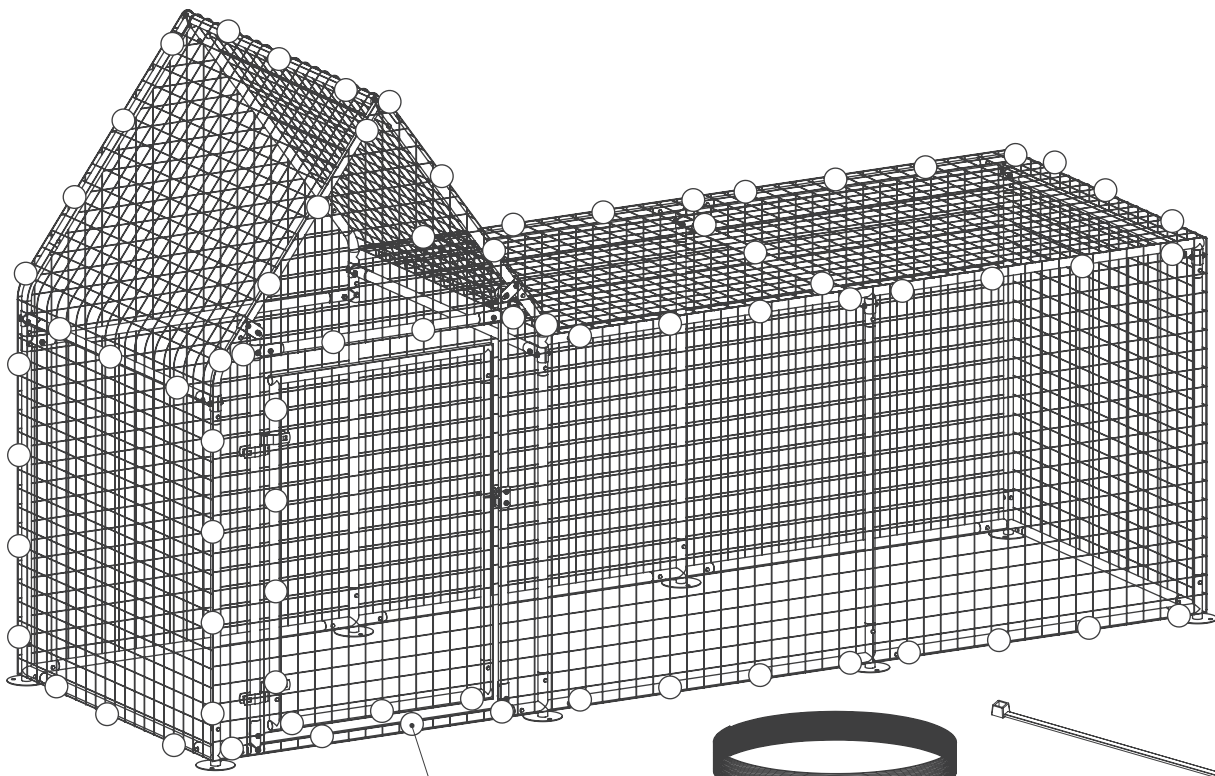
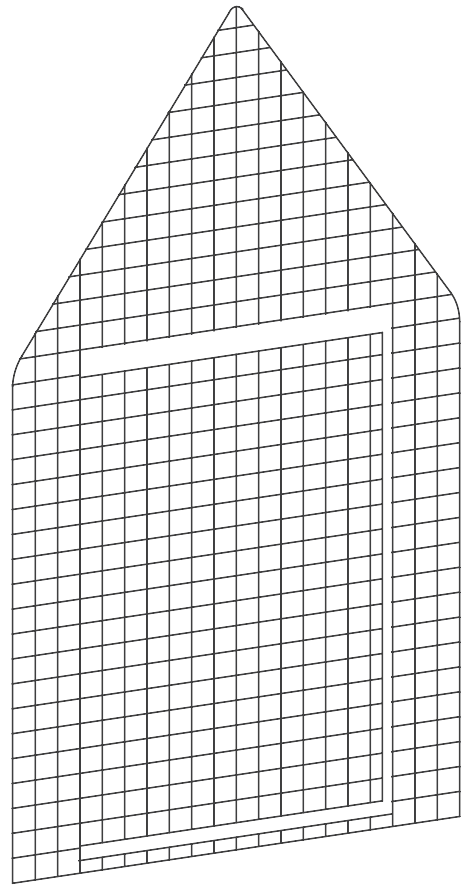
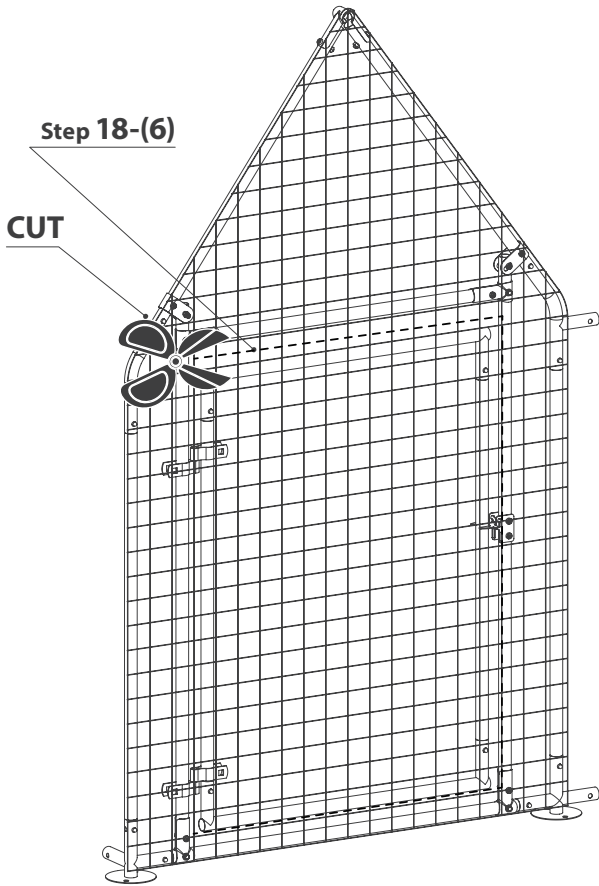


ASSEMBLING YOUR CHICKEN RUN COOP

STEP 18



ASSEMBLING YOUR CHICKEN RUN COOP



Step 18-(7)



PART NO. **N₁**



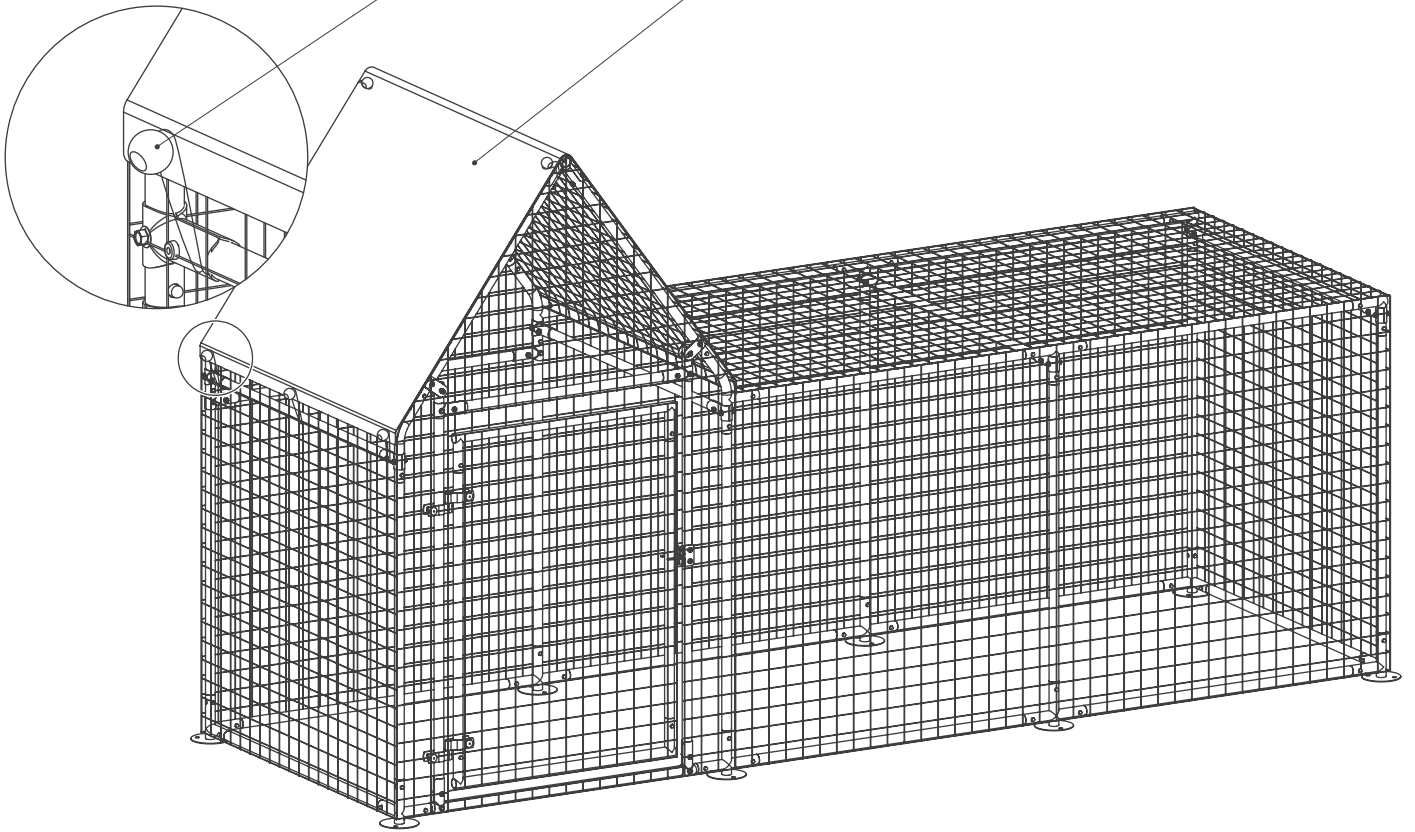
PART NO. **Q₁**

ASSEMBLING YOUR CHICKEN RUN COOP

STEP 19

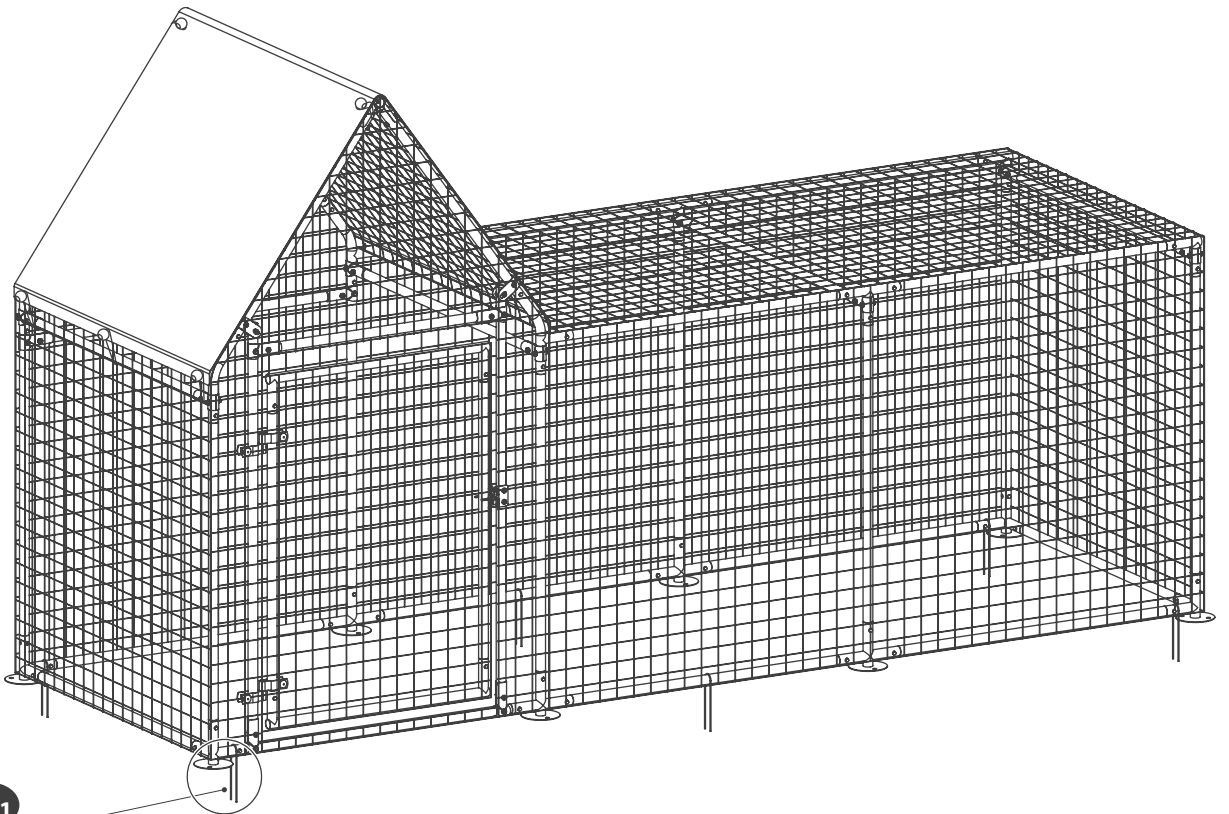
PART NO. **R₁**

PART NO. **P₁**



STEP 20

PART NO. **O₁**



US

Imported by Aosom LLC
27150 SW Kinsman Rd Wilsonville, OR 97070 USA
MADE IN CHINA

CA

Imported by Aosom Canada Inc.
7270 Woodbine Avenue, Unit 307, Markham, Ontario Canada
L3R 4B9
MADE IN CHINA

Importé par Aosom Canada Inc.
7270 Woodbine Avenue, unité 307, Markham, Ontario Canada
L3R 4B9
Fabriqué en Chine

UK

IMPORTER ADDRESS:
MH STAR UK LTD
Unit 27, Perivale Park,
Horsenden lane South
Perivale, UB6 7RH
MADE IN CHINA

FR

ADRESSE D'IMPORTATION:
MH FRANCE
2 Rue Maurice Hartmann
92130 Issy Les Moulineaux
France
FABRIQUÉ EN CHINE

ES

IMPORTADOR:
SPANISH AOSOM, S.L.
C/ROC GROS,Nº15.08550, ELS HOSTALET DE BALENYÀ, SPAIN.
B66295775
WWW.AOSOM.ES
ATENCIONCLIENTE@AOSOM.ES
TEL: 931294512
HECHO EN CHINA

PT

SPANISH AOSOM, S.L
C.ROC GROS N.15, 08550. ELS HOSTALET DE BALENYÀ
TEL: 931294512 (SEG-SEX DAS 7:30H ÀS 16:30H)
INFO@AOSOM.PT
WWW.AOSOM.PT

DE

ADRESSE DES IMPORTEURS:
MH Handel GmbH
Wendenstraße 309
D-20537 Hamburg
Germany
IN CHINA HERGESTELLT

IT

IMPORTATO DA:
AOSOM Italy srl
Centro Direzionale Milanofiori
Strada 1 Palazzo F1
20057 Assago (MI)
P.I.: 08567220960
FATTO IN CINA