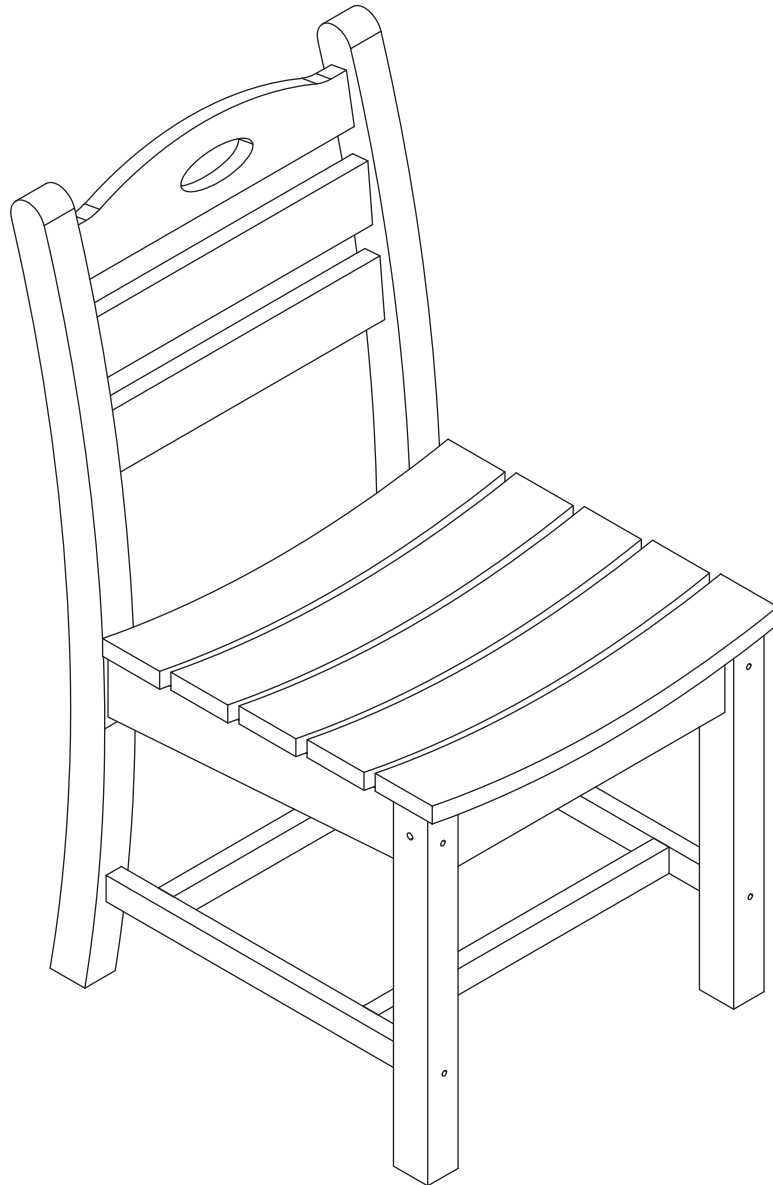


# Assembly Instruction

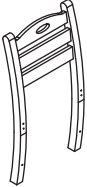
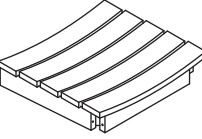
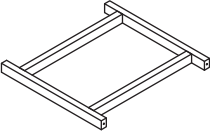




## PRE-ASSEMBLY PREPARATION

**WARNING!** DO NOT LET CHILDREN PLAY IN OR AROUND THE UNIT DUE TO THE POSSIBLE RISK OF FINGER ENTRAPMENT

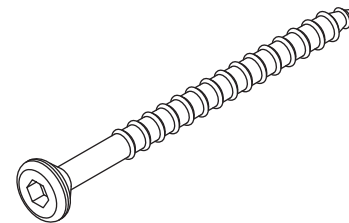
- Please read through this instruction before beginning assembly.
- Two adults assembly is recommended.
- Clear out the space for assembly and lay out all parts base on Parts List, extra room will allow you to easily determine if all the pieces are present.
- Save all packing materials until assembly is complete to avoid accidentally discarding smaller parts or hardware.
- Keep small parts and pieces away from children until fully assembly.
- **Do not fully tighten the bolts until all have been inserted and hand tightened.**
- Please check for any loose screws and tighten them before use.

## PANEL AND FITTINGS IDENTIFICATION

(A)  Qty: 1	(B)  Qty: 1	(C)  Qty: 1	(D)  Qty: 1
(E)  Qty: 1			

## HARDWARE LIST

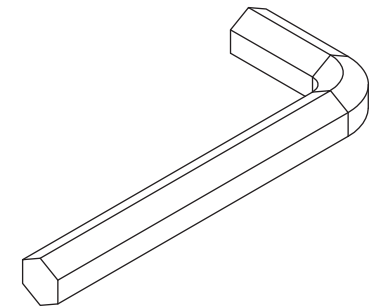
Screw (F)



M6 x 70mm

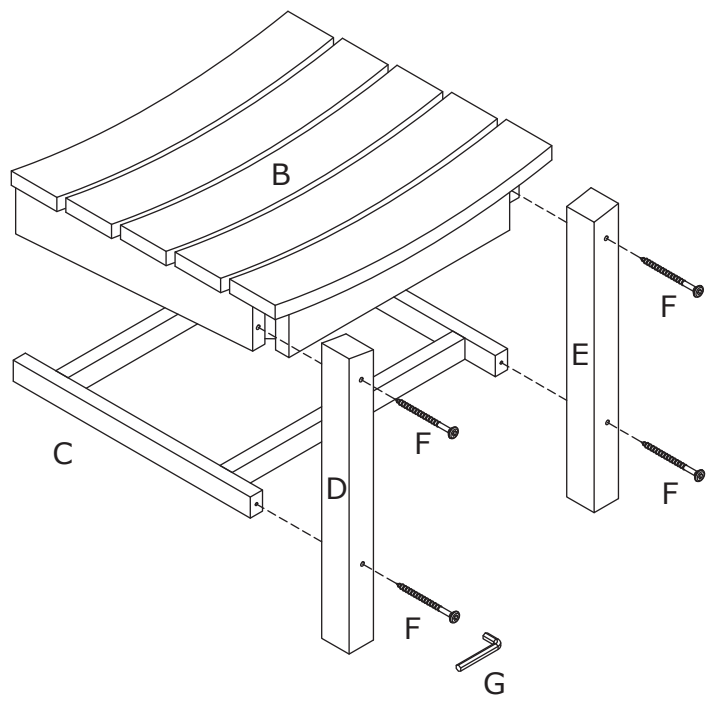
Qty: 12

Allen Wrench (G)



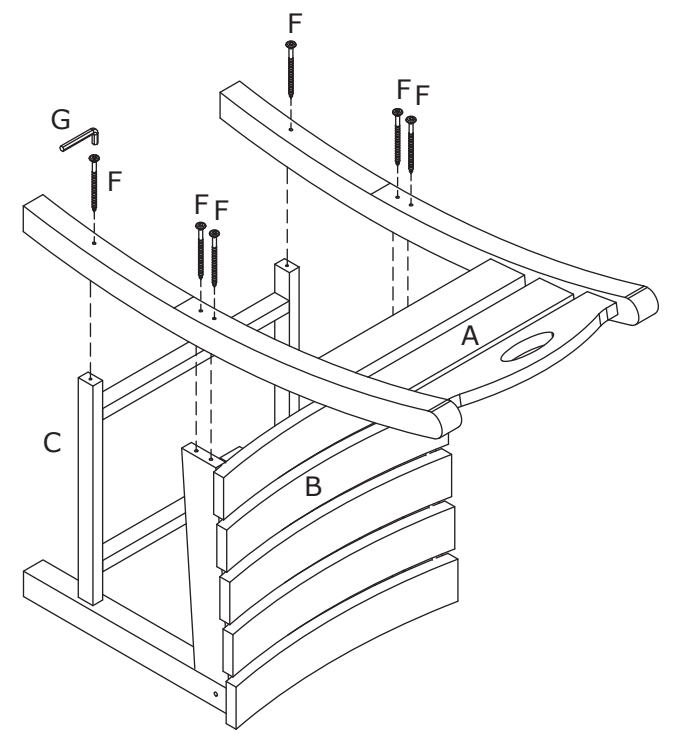
Qty: 1

### Step 1



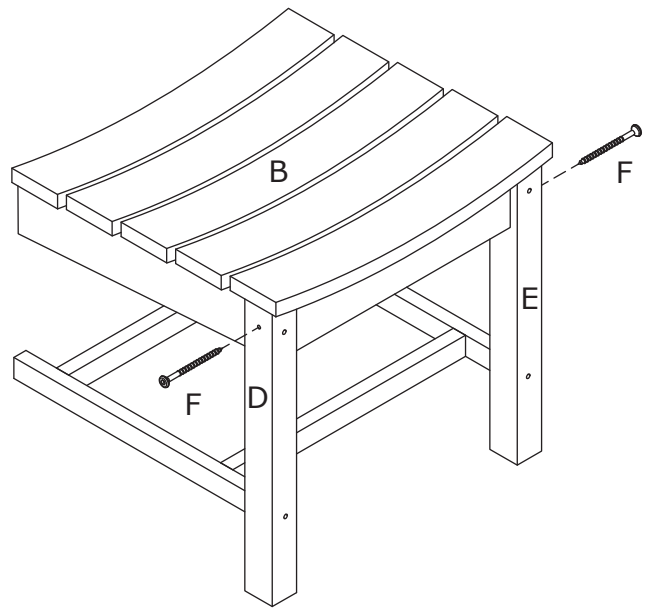
B=1PC  
C=1PC  
D=1PC  
E=1PC  
F=4PCS  
G=1PC

### Step 3



A=1PC  
F=6PCS  
G=1PC

### Step 2



F=2PCS

### The End

