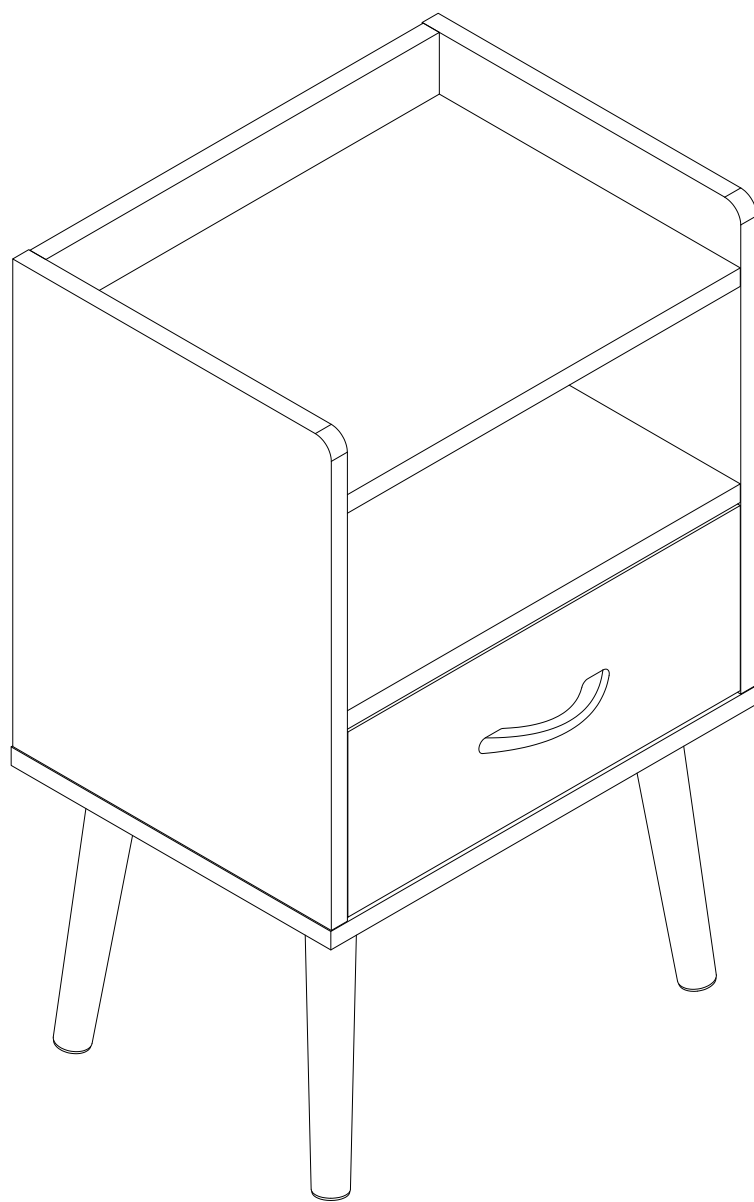
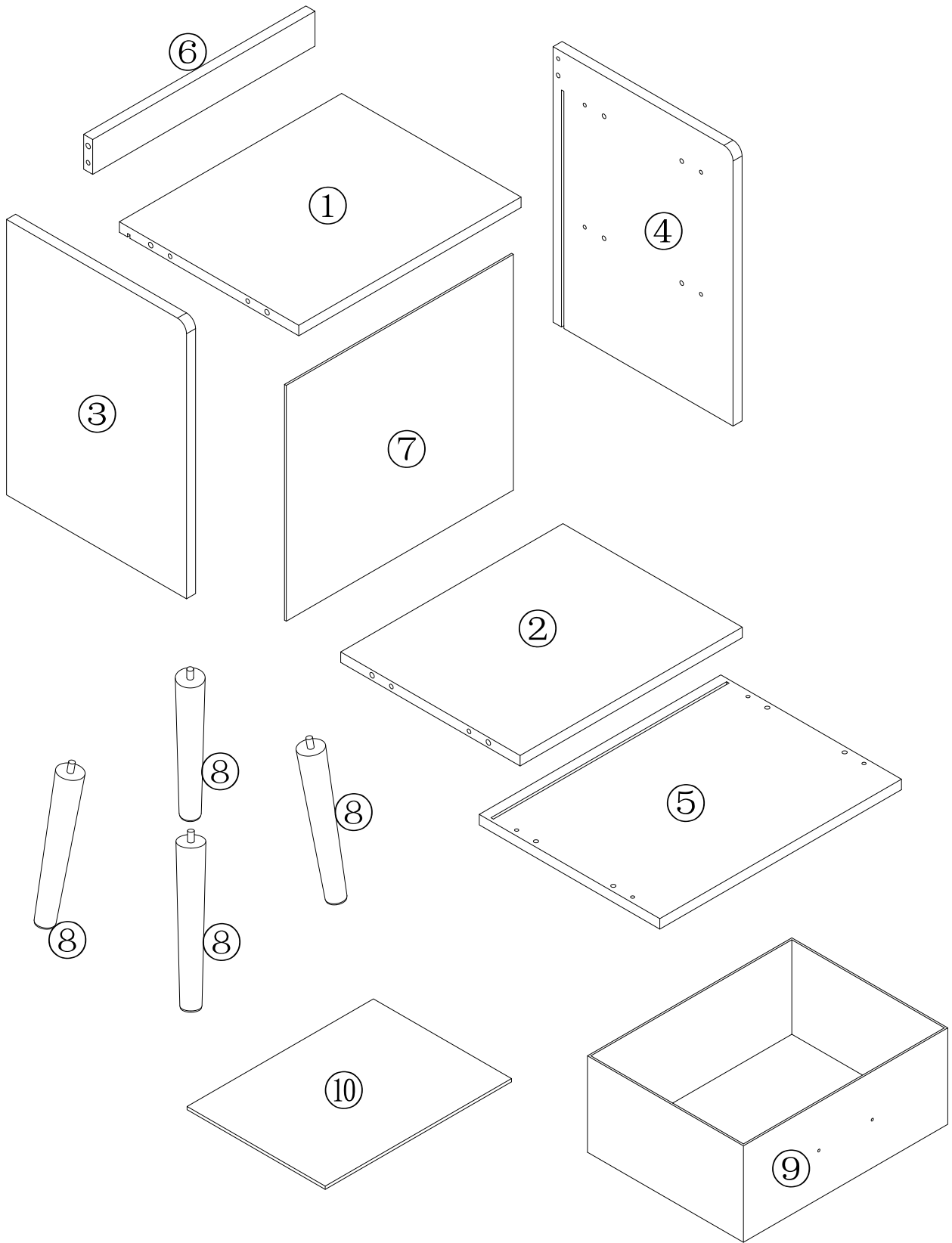







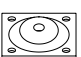





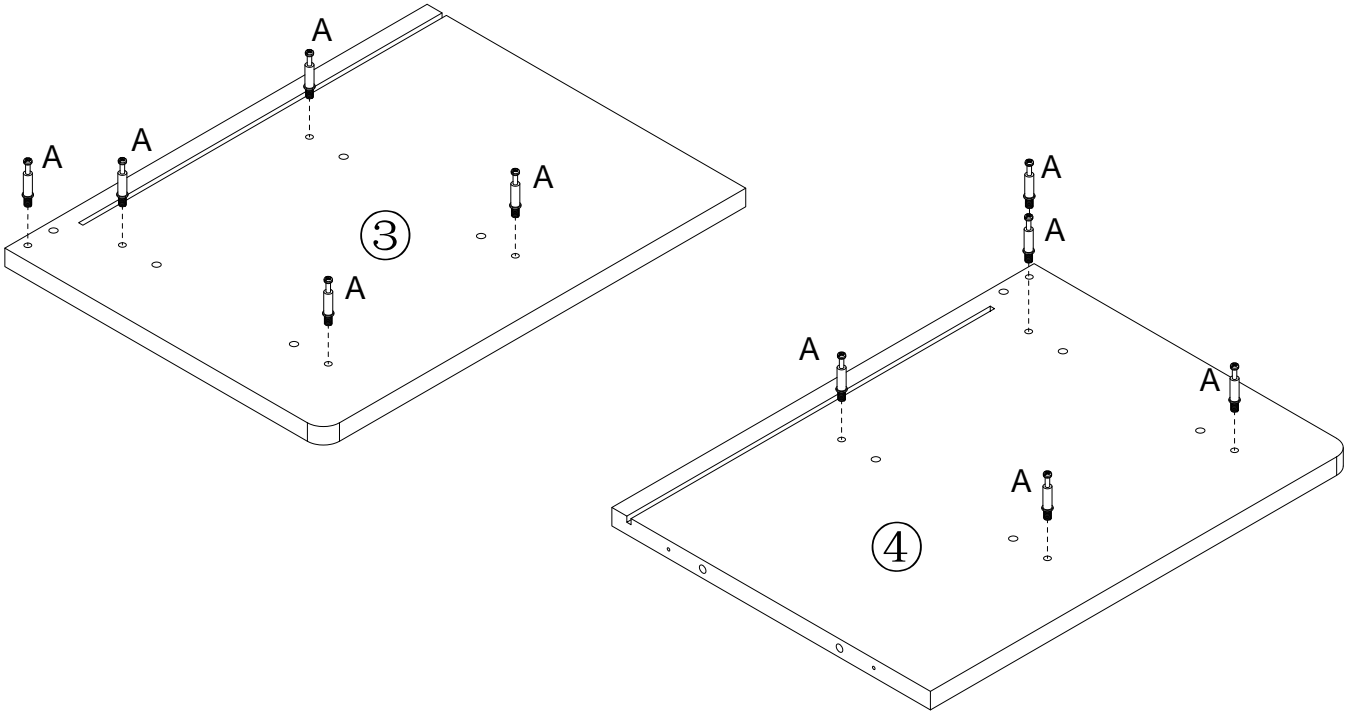
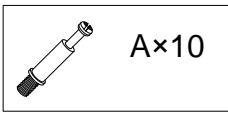
Installation & Assembly



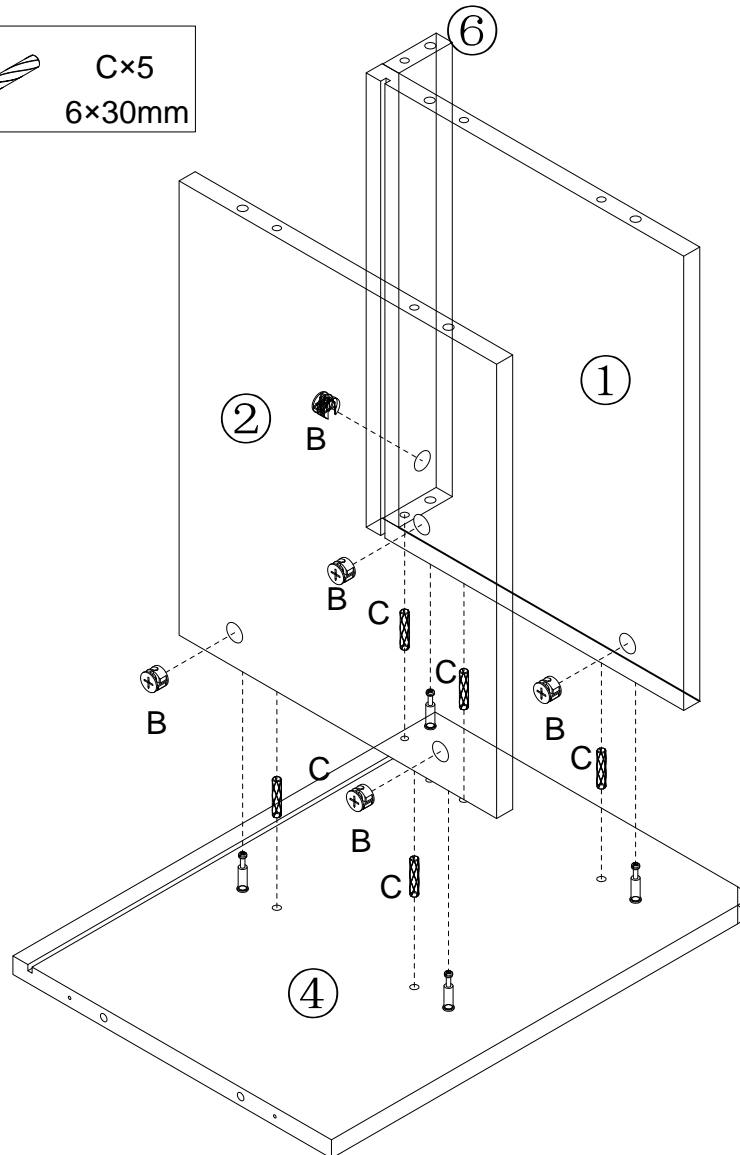
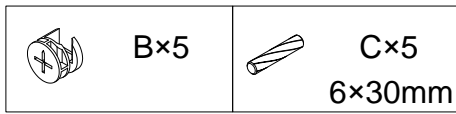


	Ax10		Bx10		Cx14 6x30mm		Dx4 4x35mm		Ex16 4x12mm		Fx4 3x14mm		Gx2 4x8mm
	Hx4		Ix1		Jx4		Kx4						



STEP 1

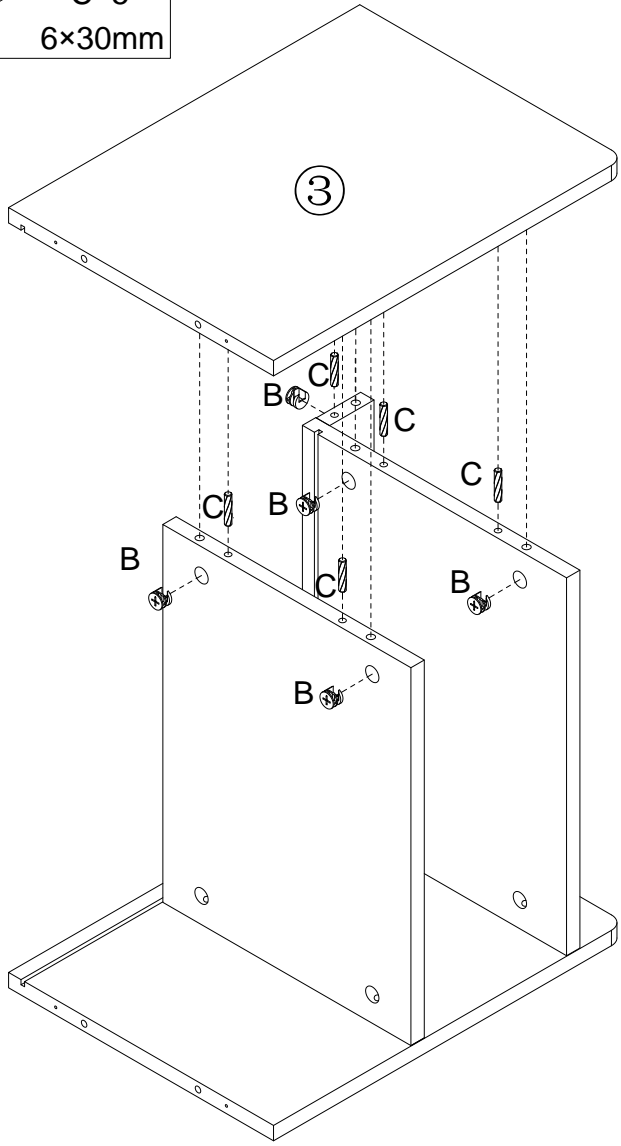


STEP 2

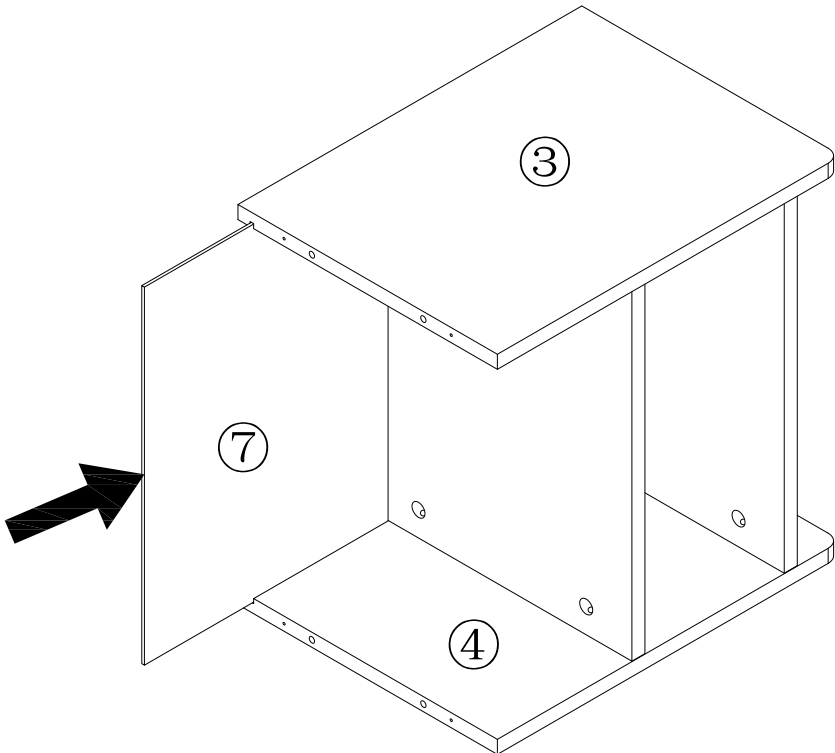


STEP 3



	B×5		C×5 6×30mm
--	-----	--	---------------

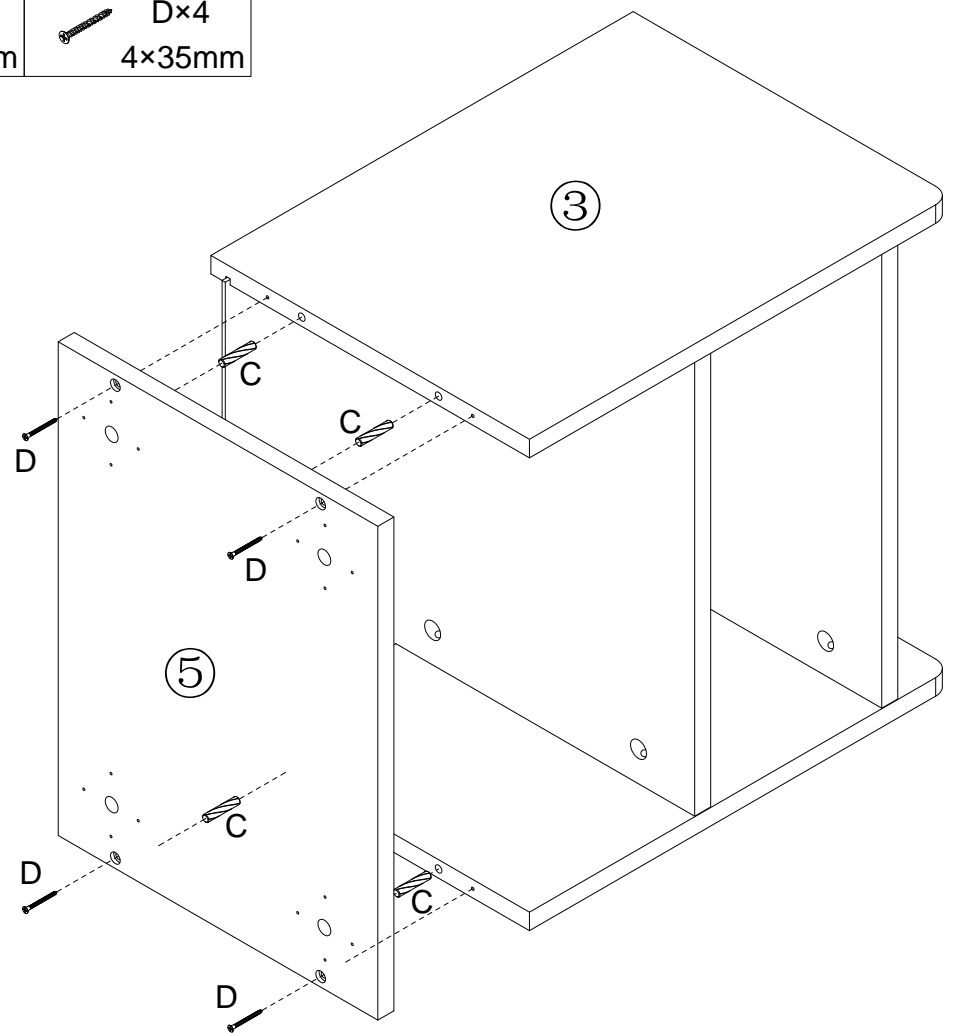


STEP 4


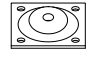


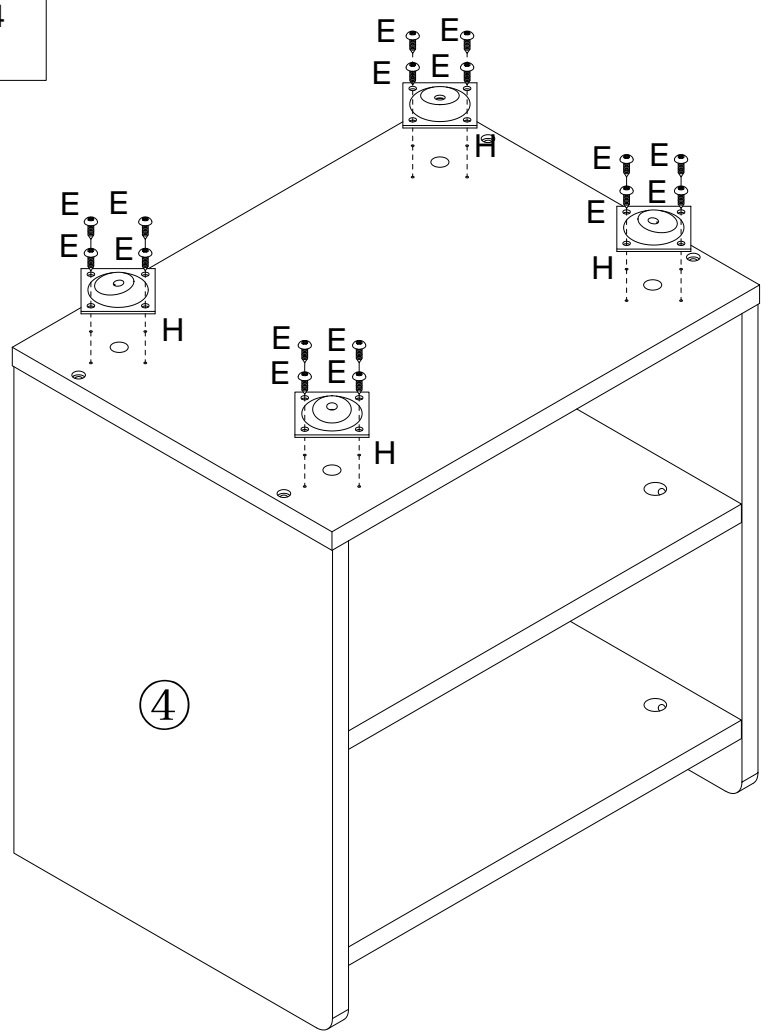
STEP 5

	C×4 6×30mm		D×4 4×35mm
--	---------------	--	---------------

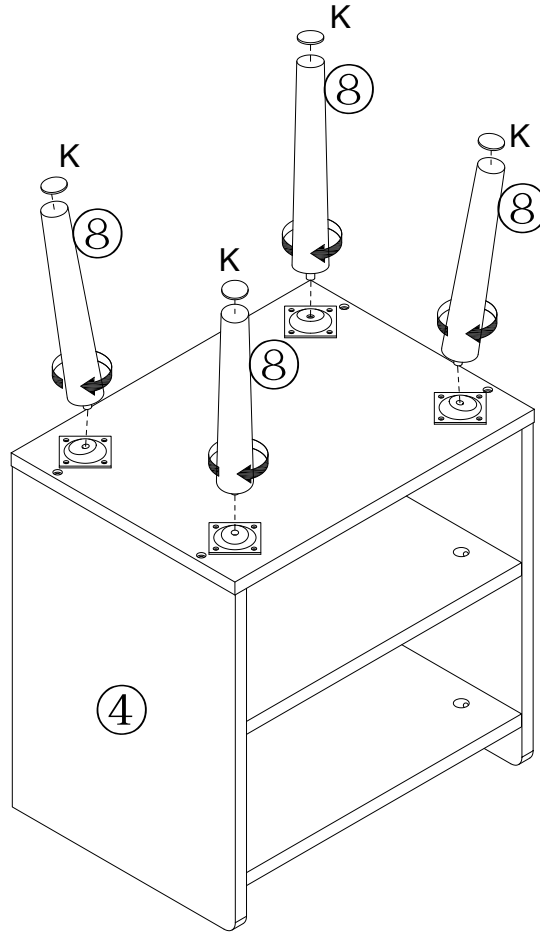
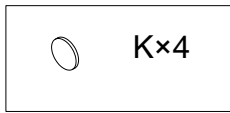


STEP 6

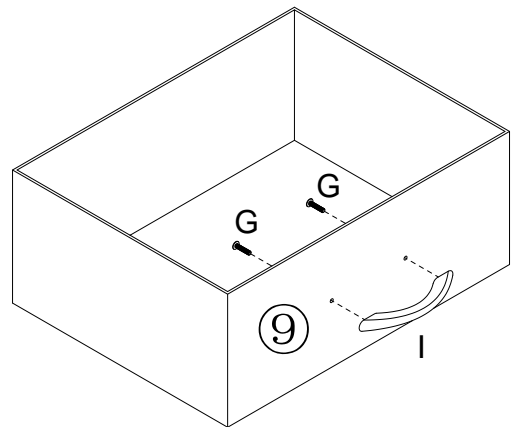
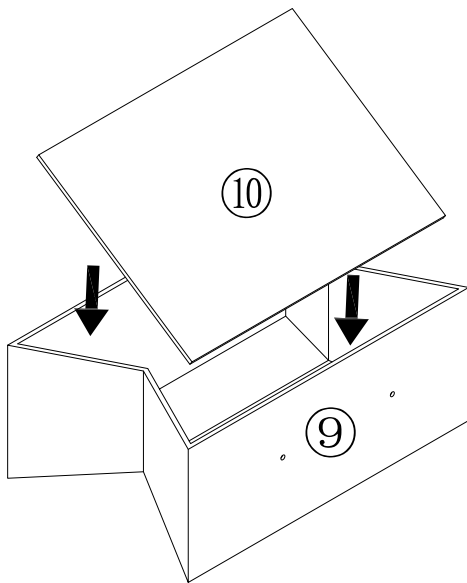
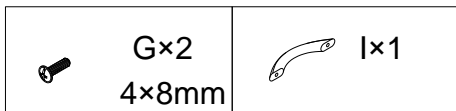
	E×16 4×12mm		H×4
---	----------------	---	-----



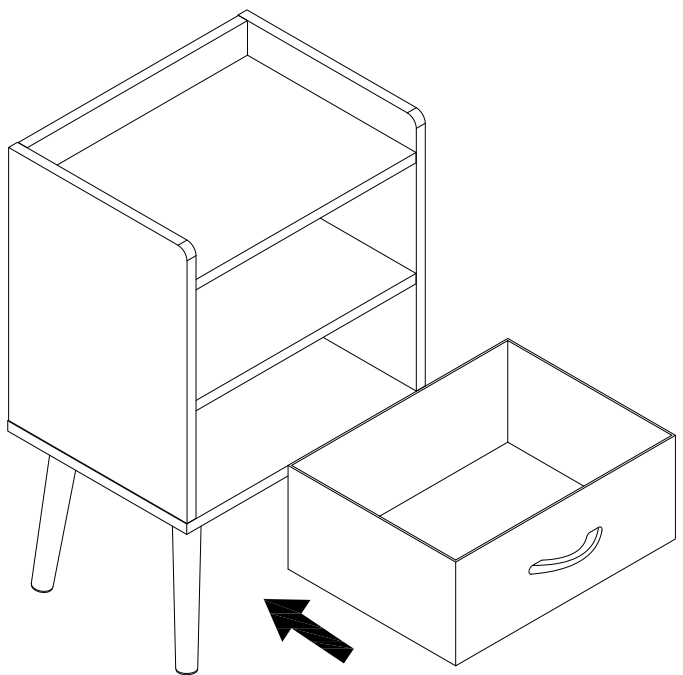
STEP 7





STEP 9



STEP 10



STEP 11

 F×4 3×14mm	 J×4
---	---

