
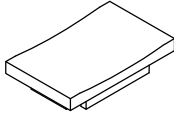
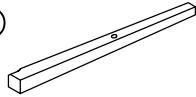
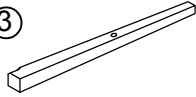



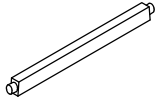
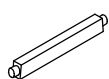
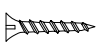


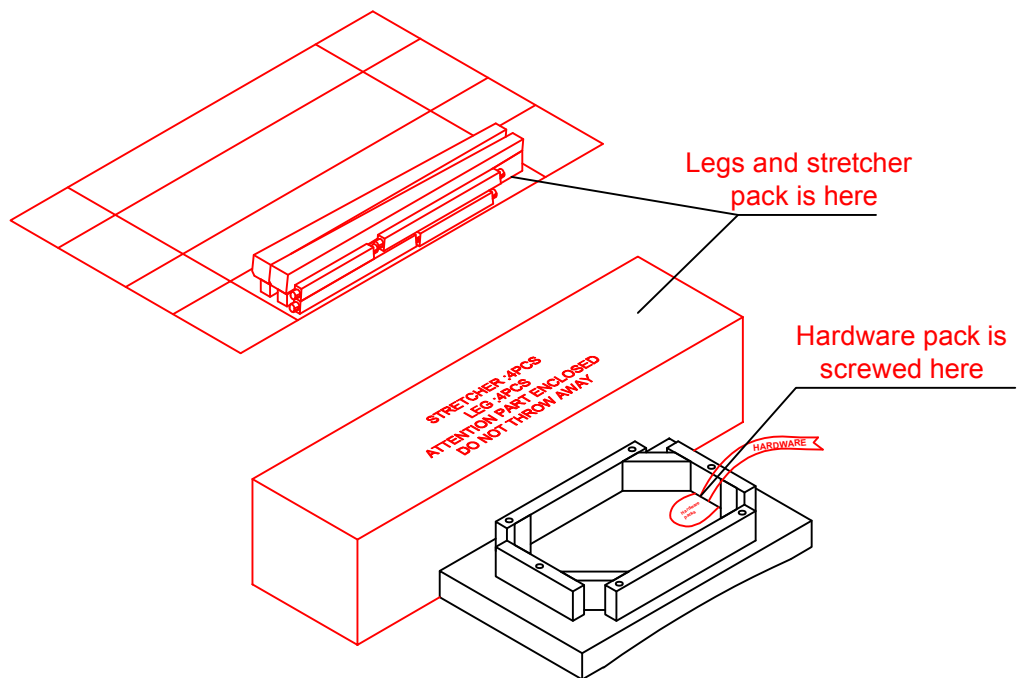
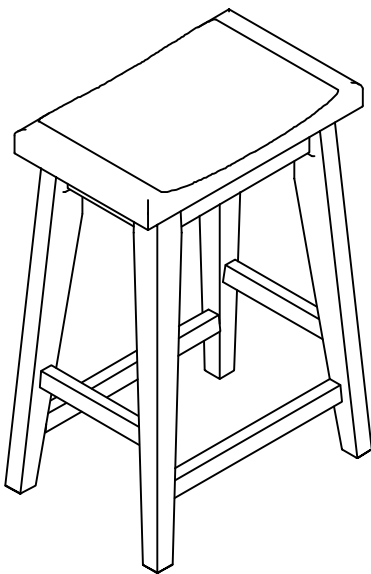
# Assembly Instruction

Description : COUNTER STOOL

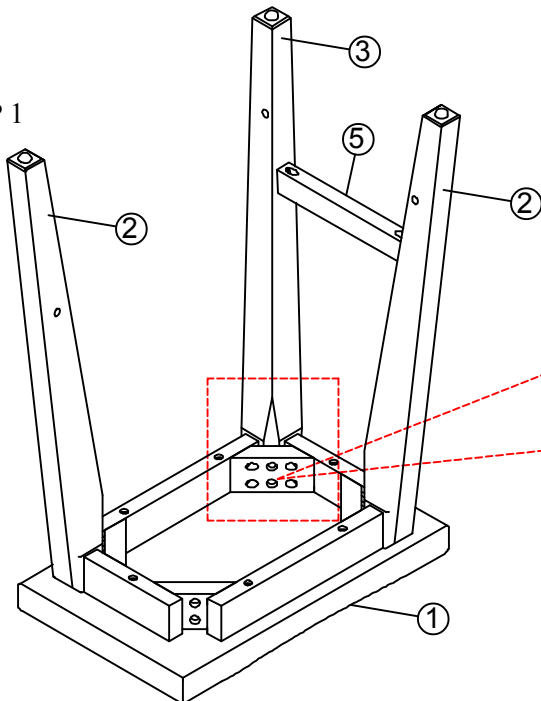
## HARDWARE LIST

## PARTS LIST

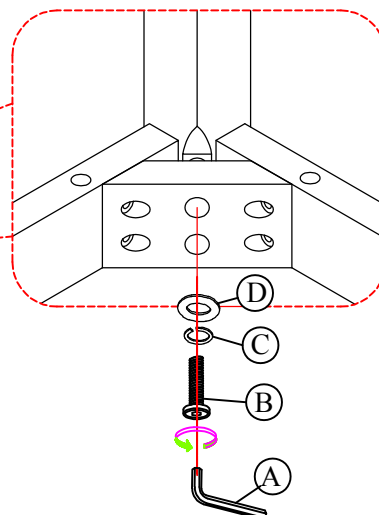
No	Description	Sketch	Q'TY	SEAT FRAME (1PC)	RIGHT LEG (2PCS)	LEFT LEG (2PCS)
A	Allen Wrench 4mm		1PC	① 	② 	③ 
B	Bolt (Ø5/16"x2-1/4")		8PCS			
C	Spring Washer Ø5/16"		8PCS	LONG STRETCHER (2PCS)	SHORT STRETCHER (2PCS)	
D	Flat Washer Ø5/16x19mm		8PCS	④ 	⑤ 	
E	Wood screw Ø8x1-3/4"(45mm)		8PCS			



STEP 1



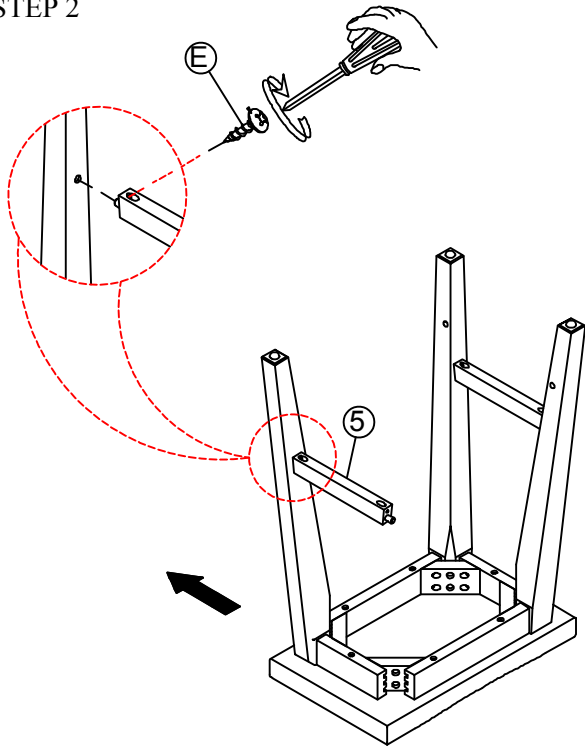
\* Do not tighten bolts



# Assembly Instruction

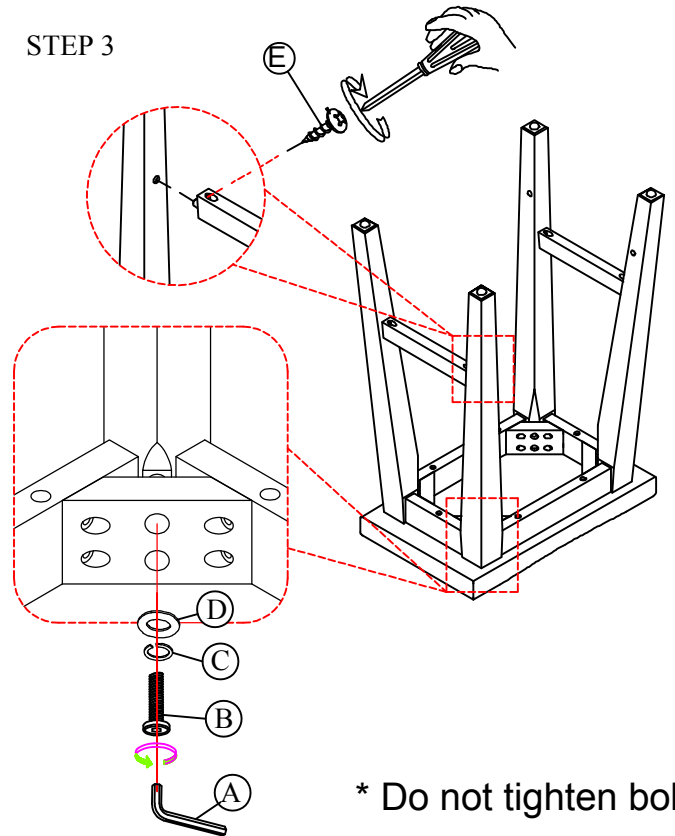
Description : COUNTER STOOL

STEP 2



\* Do not tighten bolts

STEP 3



\* Do not tighten bolts

STEP 4

\* Tighten all screws & bolts

