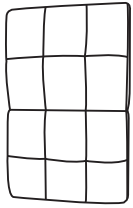
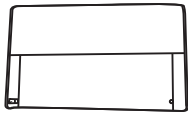


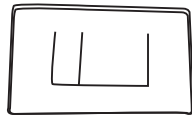
Assembly Instruction



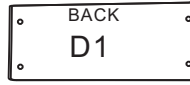
Ax1



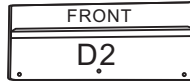
Bx1



Cx1

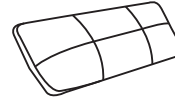


D1

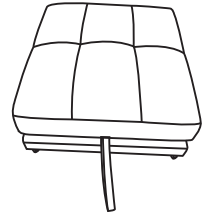


D2

Dx2



Ex1



Fx1



Gx4



Hx4



Ix4



Jx8
M6*16mm



Kx3
M6*40mm



Lx8
M6*55mm

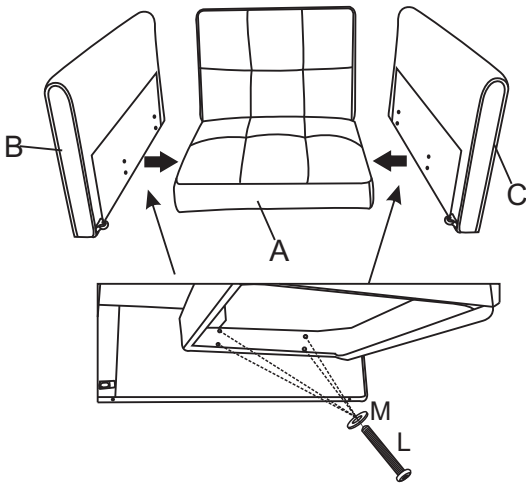


Mx19



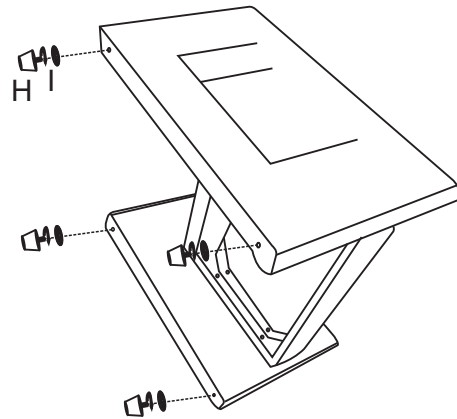
Nx1

STEP 1



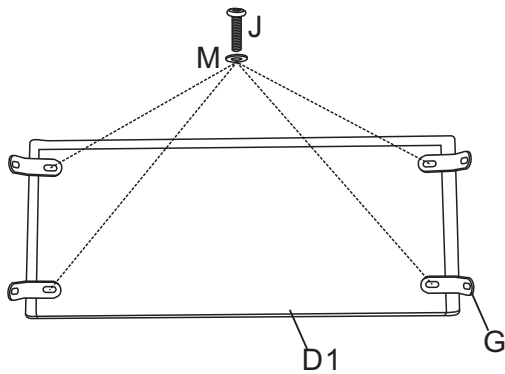
Install armrests on both sides of the seat cushion

STEP 2



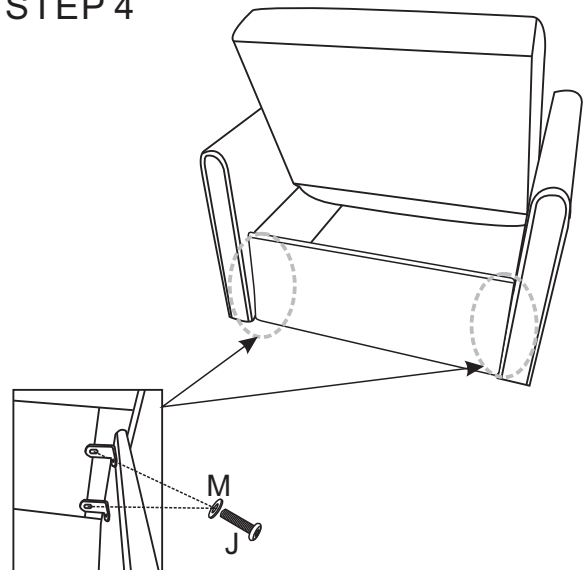
Install the foot on the armrests

STEP 3

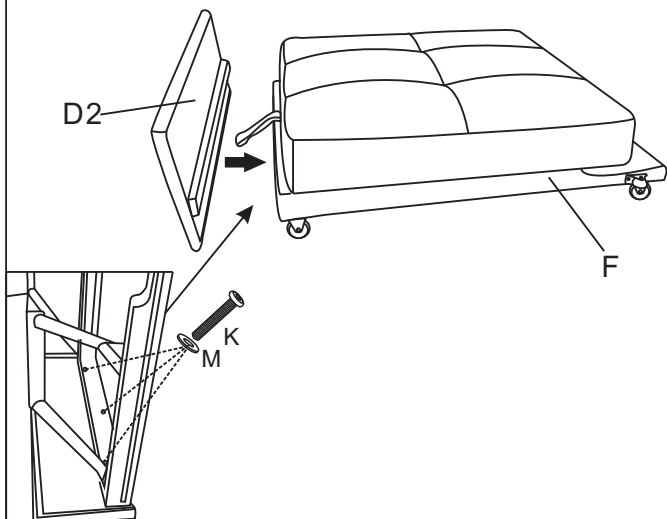


Install the connection on the back plate

STEP 4

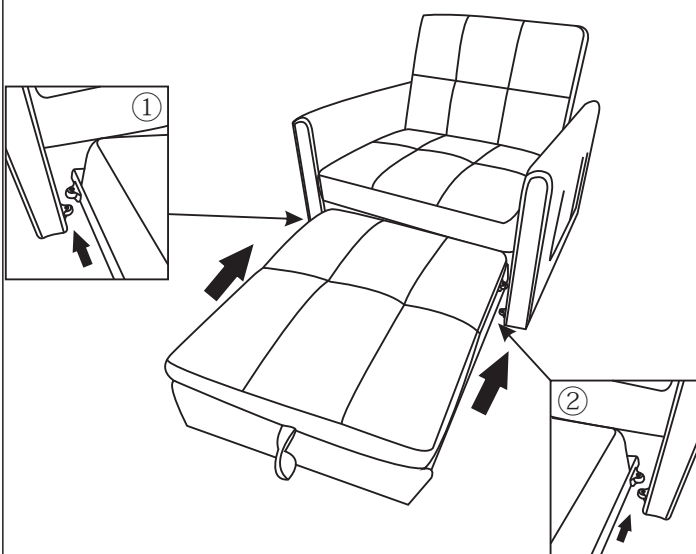


STEP 5

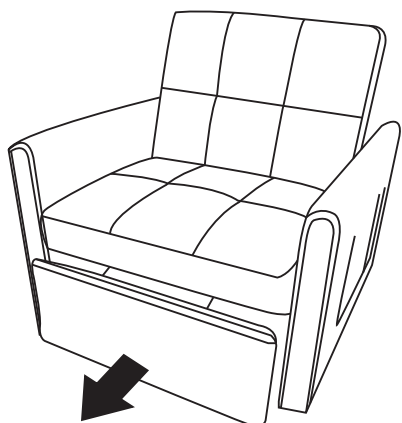


Install the front plate to the bed cushion

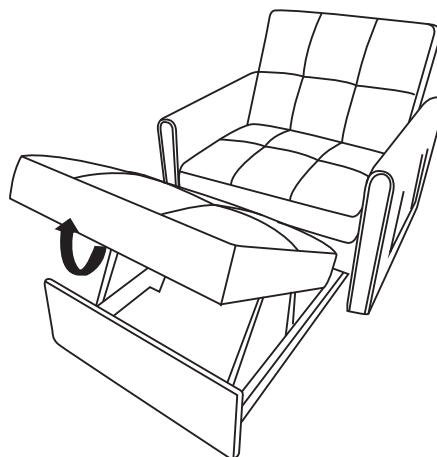
STEP 6



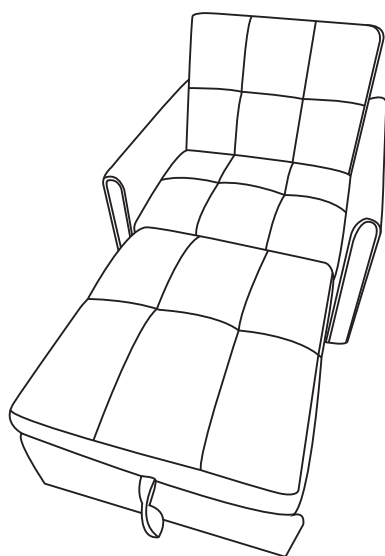
STEP 7



STEP 8



STEP 9



STEP 10

