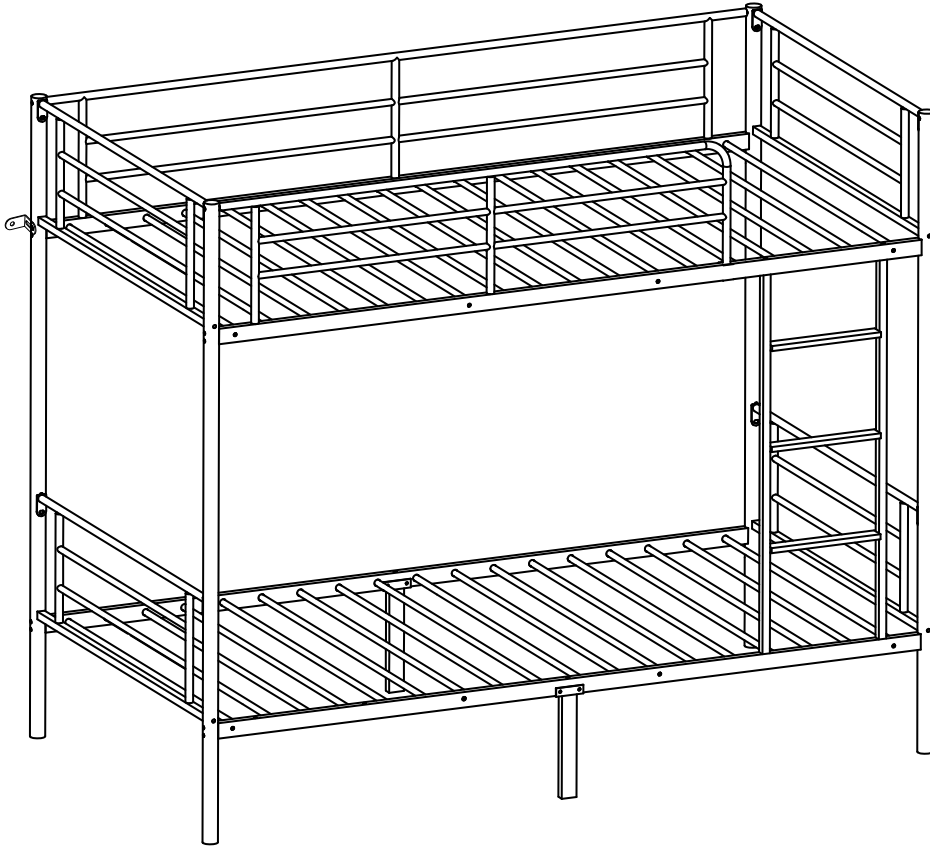
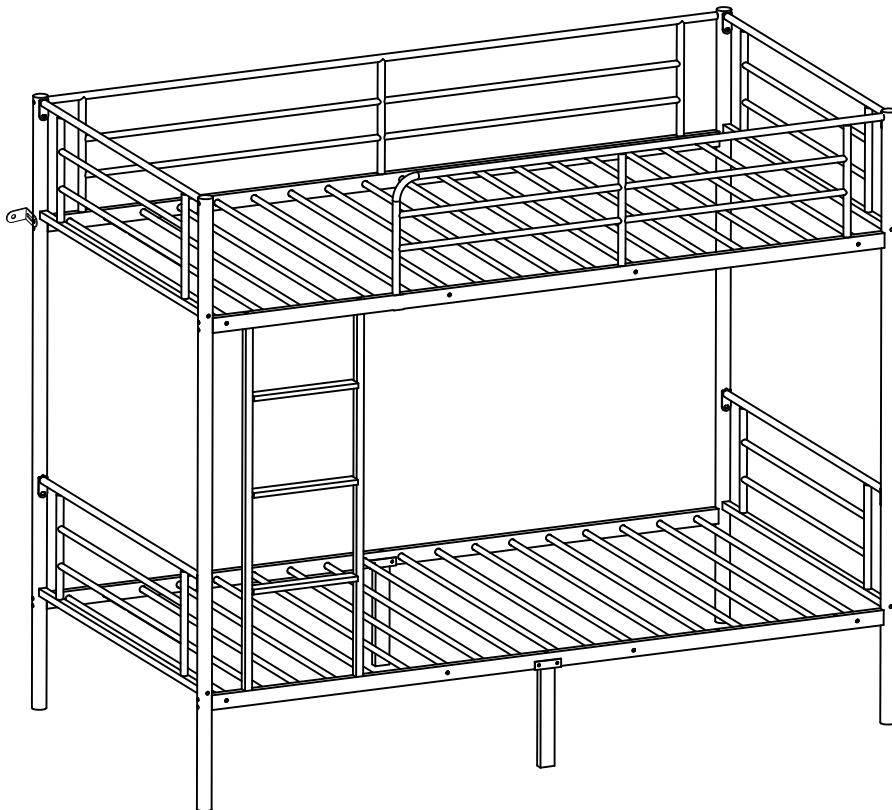


LOFT BED



OR



Introduction

Guide of Manual

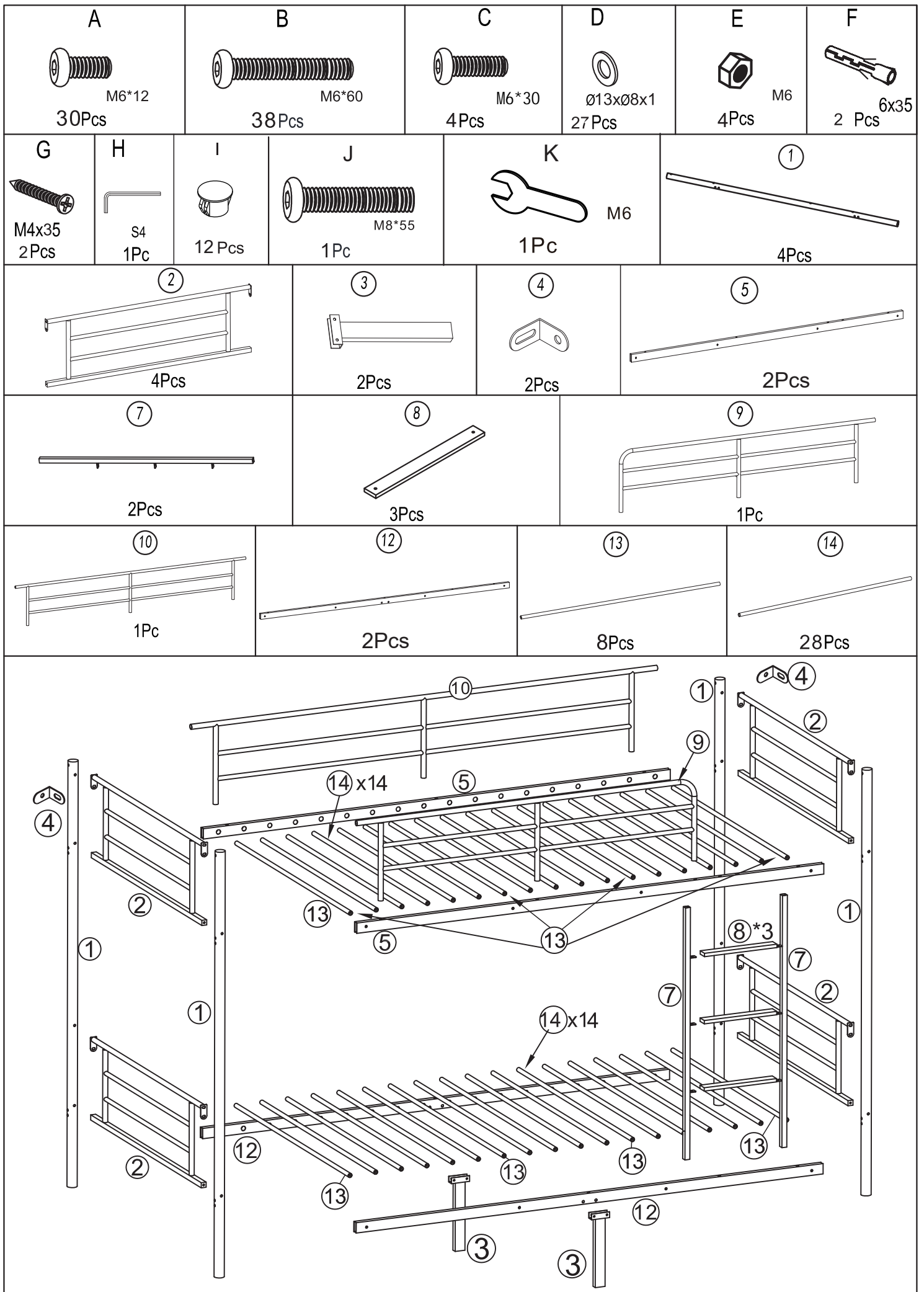
- Please read the following instruction carefully and use the product properly.
- Please keep this manual and hand it over when you transfer the product.
- Please contact us when further information and help needed.

Notes

- Make sure to start on the correct instruction page for the bed configuration you are assembling.
- Unpack parts and hardware carefully to prevent scratching of lacquered components.
- Please assemble the product according to the steps on the diagram strictly.
- Do not fully tighten the screws until all pieces are situated in place.
- For continued use, it's suggested you regularly check the tightness of bolts and connections to ensure safety.
- Do not assemble and disassemble the product repeatedly to avoid damaged.
- To avoid confusion keep all parts and hardware together with the boxes that they came in; some bed configurations require multiple boxes.

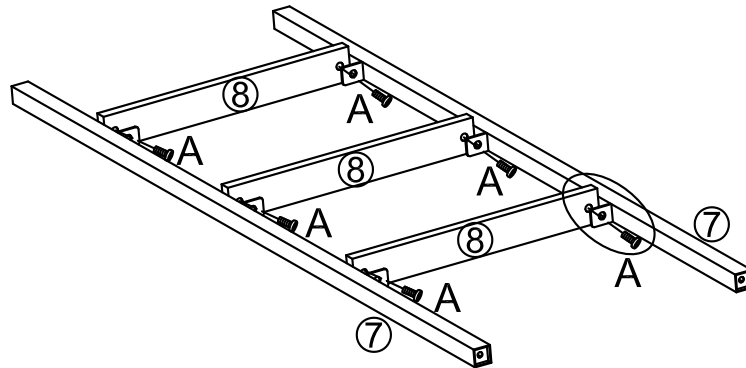
SAFETY WARNING:

1. Follow the information on the warnings appearing on the upper bunk end structure and on the carton. Do not remove warning label from bed.
2. Always use the recommended size mattress or mat tress support, or both, to help prevent the likelihood of entrapment or falls.
3. Surface of mattress must be at least 5 in. (127 mm) below the upper edge of guardrails.
4. Do not allow children under 6 years of age to use the upper bunk.
5. Periodically check and ensure that the guardrail, ladder, and other components are in their proper position, free from damage, and that all connectors are tight.
6. Do not allow horseplay on or under the bed and prohibit jumping on the bed.
7. Always use the ladder for entering and leaving the upper bunk.
8. Do not use substitute parts. Contact the manufacturer or dealer for replacement parts.
9. Use of a night light may provide added safety precaution for a child using the upper bunk.
10. Always use guardrails on both long sides of the upper bunk. If the bunk bed will be placed next to the wall, the guardrail that runs the full length of the bed should be placed against the wall to prevent entrapment between the bed and wall.
11. The use of water or sleep flotation mattresses is prohibited.
12. Keep these instructions for future reference.

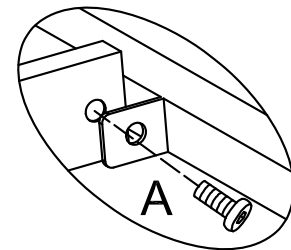


Assembly Steps

STEP 1 Assemble Ladder





welding joint
face downward



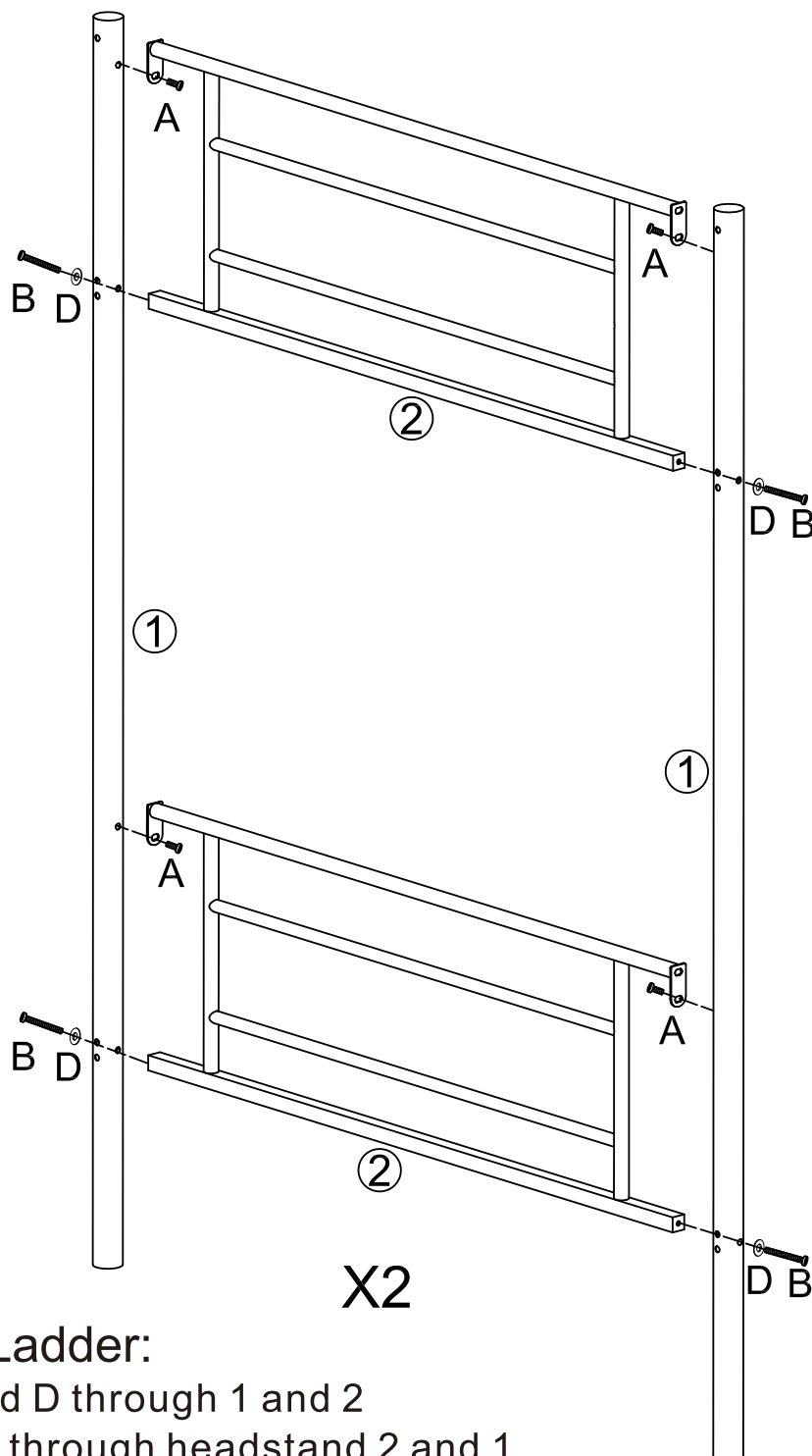
Assemble Ladder:

①: Insert screw A into the ladder rail through the ladder rack on the ladder rail 7 (Note: the welded joint should face down to ensure that the contact surface between the ladder rail 8 and the ladder rail 7 is smooth and uniform)

CODE	HARDWARE	QTY
A	 M6x12mm	6
H	 S4	1





Assembly Steps

STEP 2 Assemble Side Guard Rails and Posts



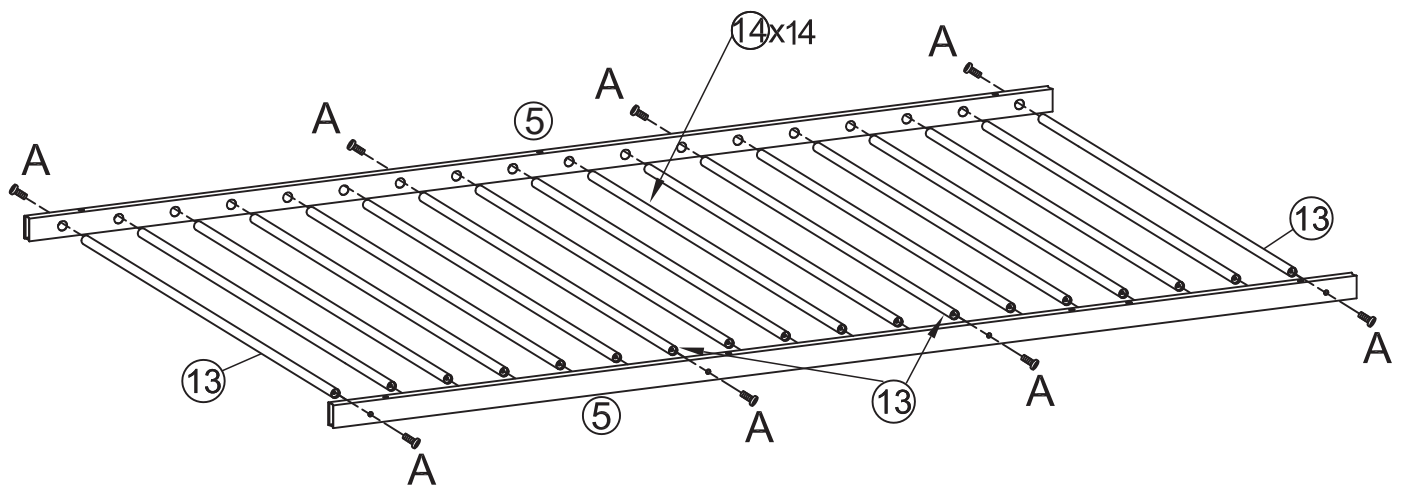
Assemble Ladder:

- ①: Lock B and D through 1 and 2
- ②: Connect A through headstand 2 and 1

CODE	HARDWARE	QTY
A	 M6x12mm	8
B	 M6x60mm	8
D	 Ø13xØ8x1	8
H	 S4	1


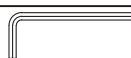
Assembly Steps

STEP 3 Assemble Top and Under Side Rails



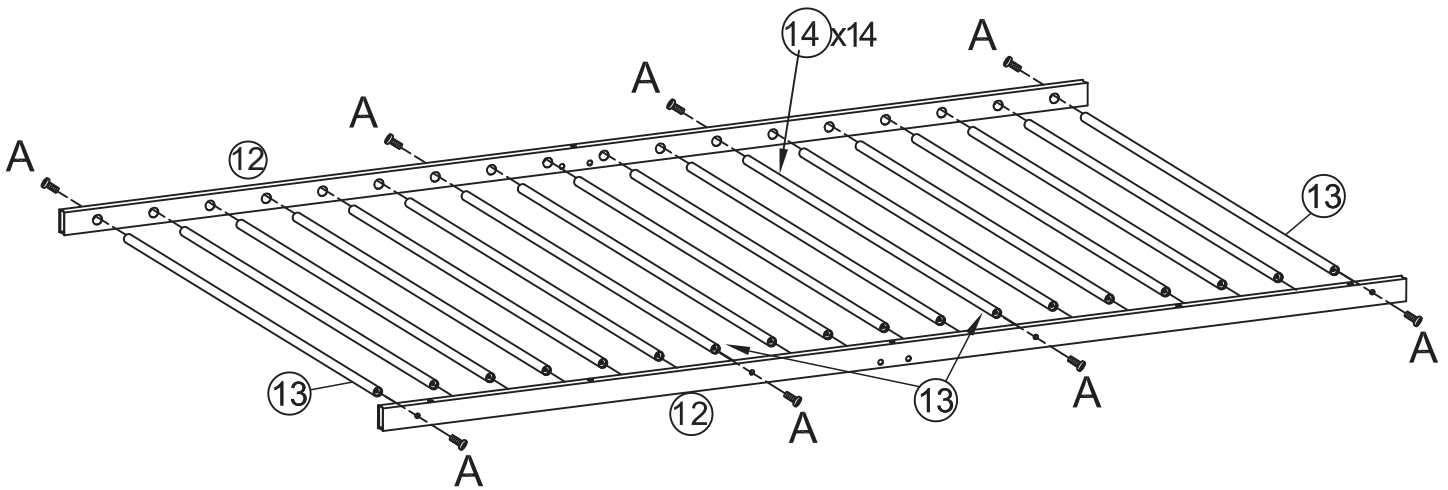
Assemble Ladder:

- ①: Insert 13 and 14 into 5
- ②: Lock 13 with B to 5

CODE	HARDWARE	QTY
A	 M6x12mm	8
H	 S4	1



Assembly Steps

STEP 4 Install Bed Slats



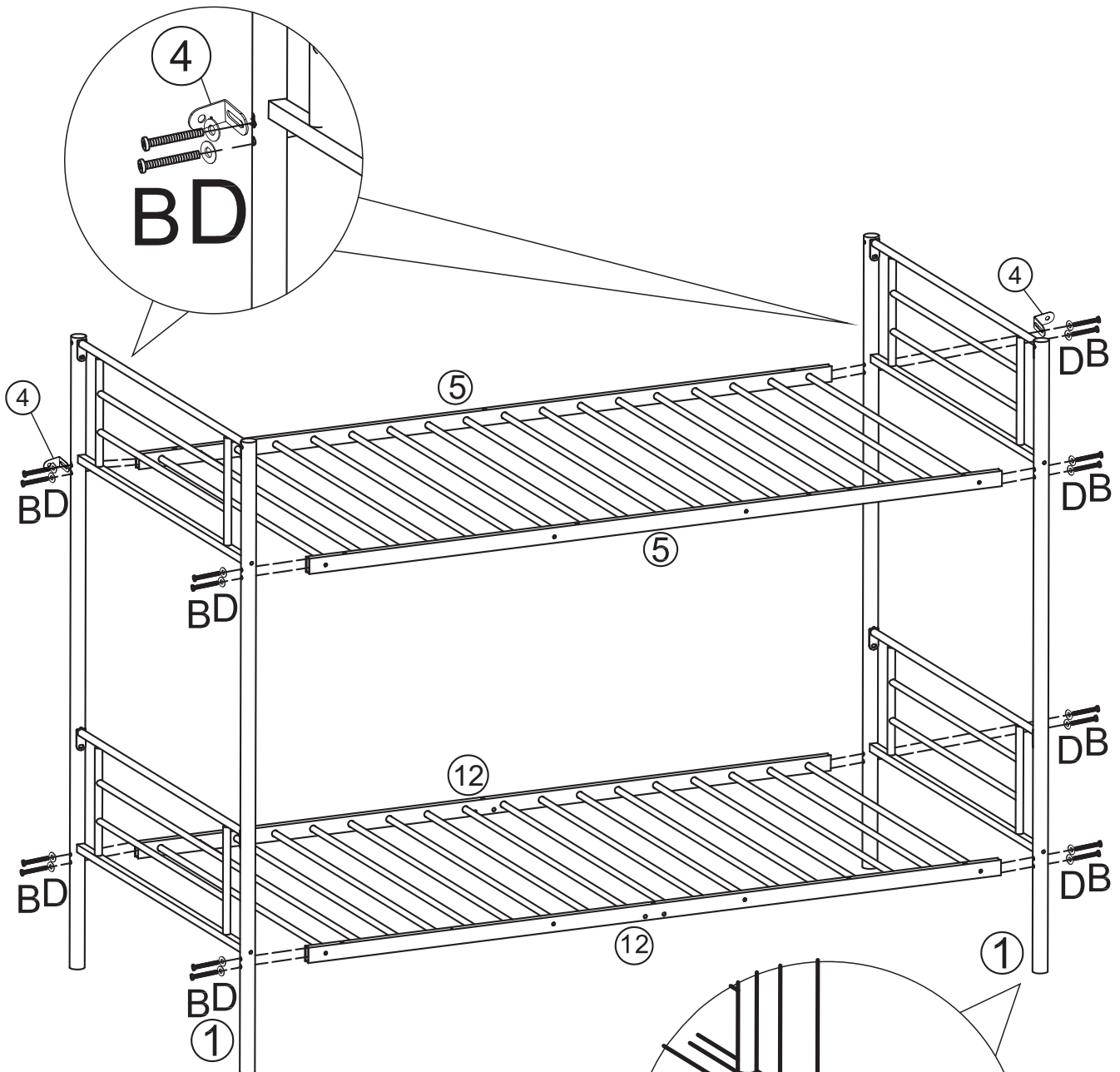
Assemble Ladder:

- ①: Insert 13 and 14 into 12
- ②: Lock 13 with B to 5

CODE	HARDWARE	QTY
A	 M6x12mm	8
H	 S4	1




Assembly Steps

STEP 5 Assemble Top Long Guard Rails



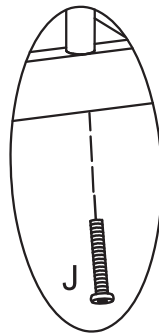
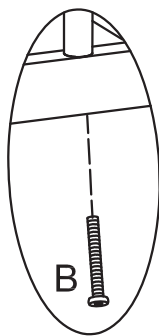
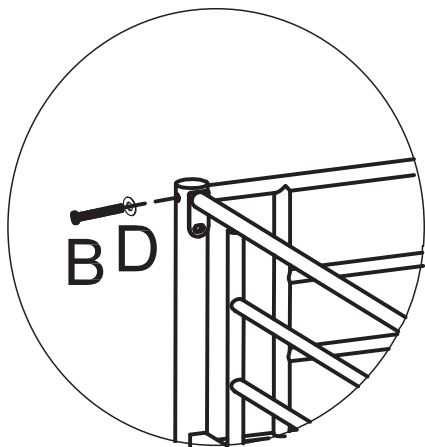
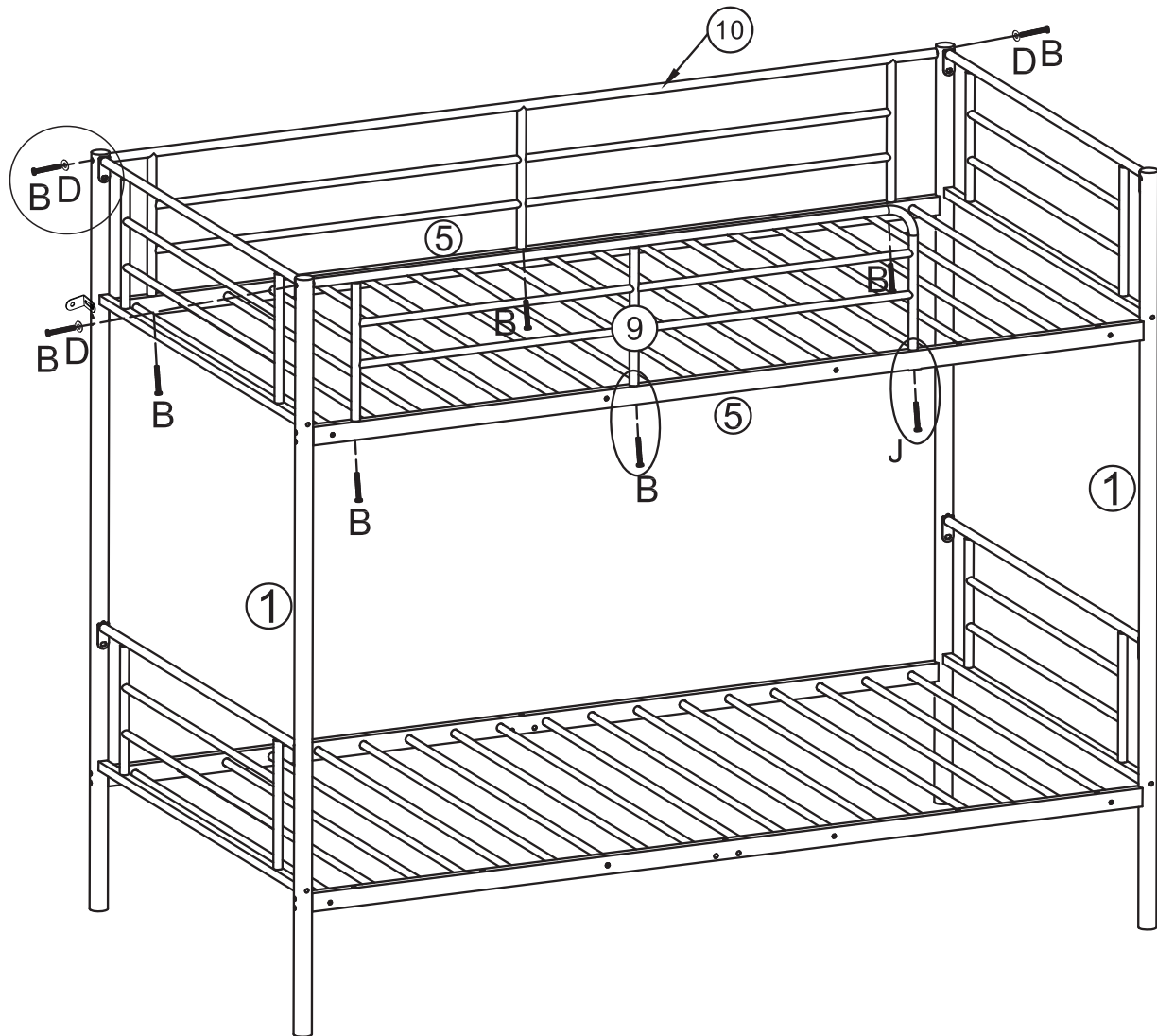
Assemble Ladder:

①: Lock 5,12 and 1 with B and D

CODE	HARDWARE	QTY
B	 M6x60mm	16
D	 Ø13xØ8x1	16
H	 S4	1





Assembly Steps

STEP 6 Install Ladder



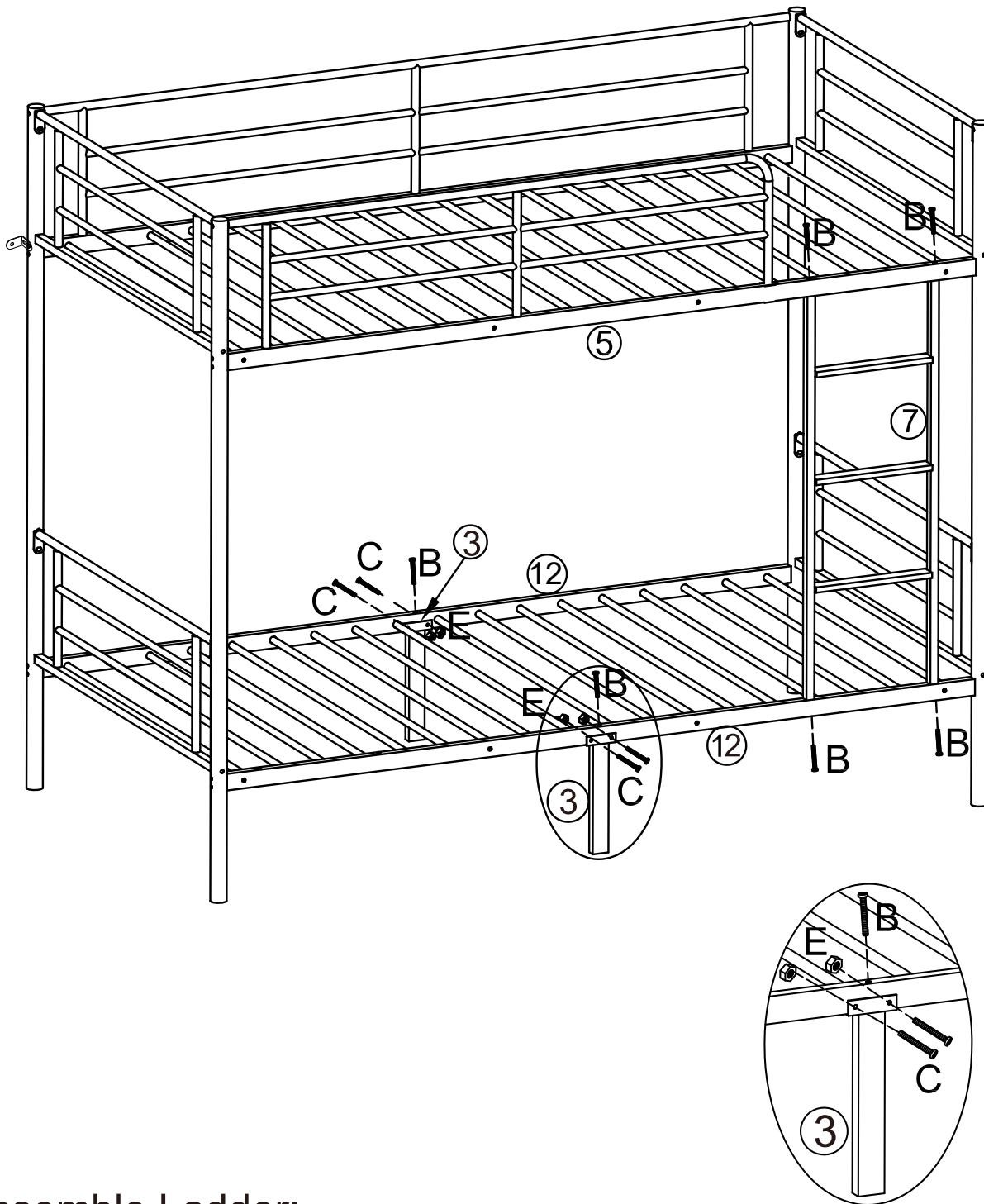
Assemble Ladder:

1: Connect (B) and (D) across (1) to (9) and (10), and lock B across (5) to (9) and (10), finally C across (9) Lock C and E.

CODE	HARDWARE	QTY
J	 M8x55mm	1
B	 M6x60mm	8
D	 Ø13xØ8x1	3
H	 S4	1






Assembly Steps

STEP 7 Install support leg



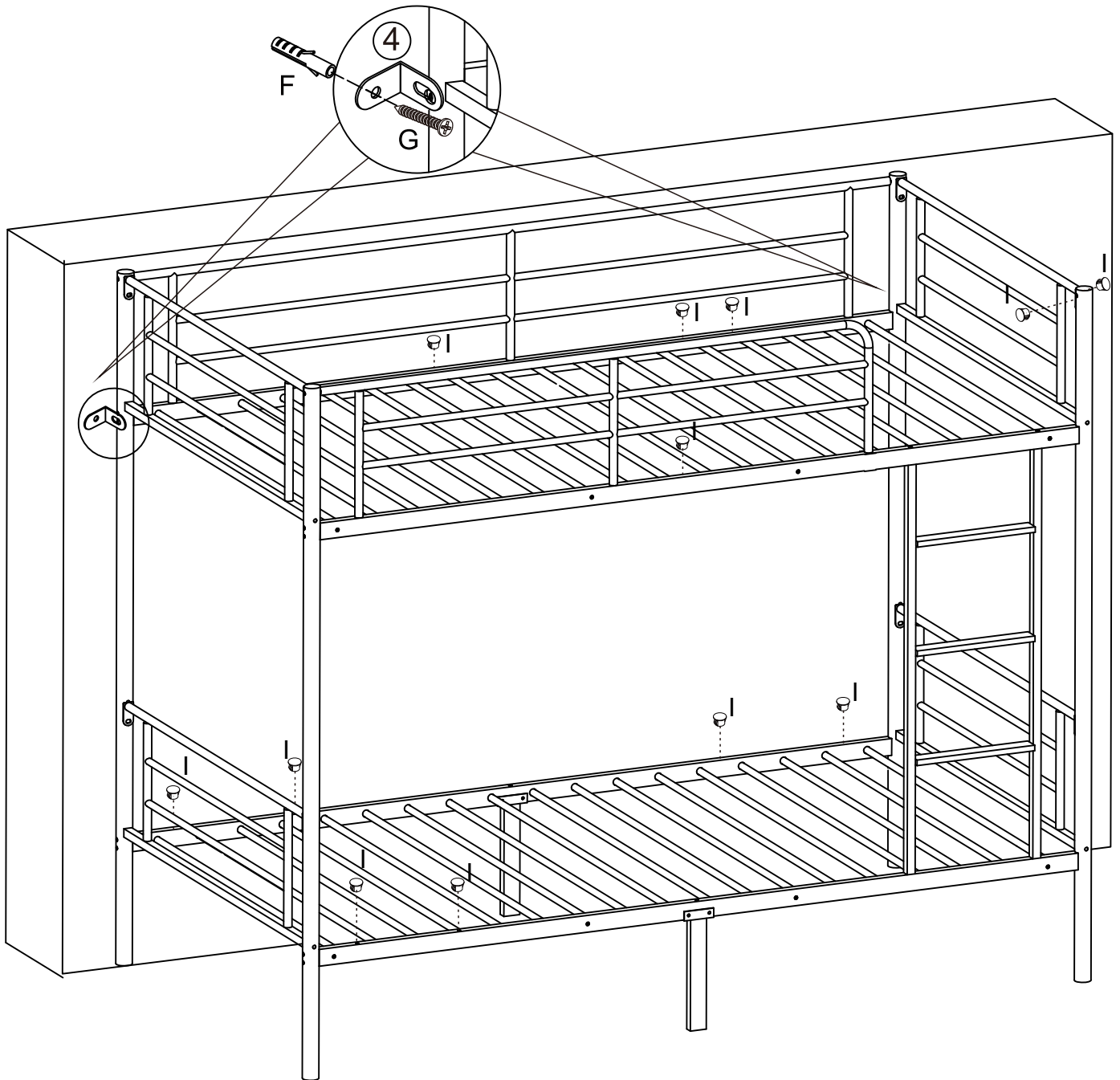
Assemble Ladder:

- ①: Connect B through 5 and 12 to 7
- ②: Connect 12 to 3 with B, and finally connect C through 12 to E.

CODE	HARDWARE	QTY
B	 M6x60mm	6
C	 M6x30mm	4
E	 M6	4
H	 S4	1
K	 M6	1




Assembly Steps

STEP 8 Secure Bed to the Wall



Assembly method:

- ①: Fasten the bed to the wall using connector 4 with expansion bolts F and screws G for extra stability (this step is optional)
- ②: Finally, insert I into the code hardware of 12 and 5 tubes.

CODE	HARDWARE	QTY
F	 6x35mm	2
G	 M4x35mm	2
I	 $\Phi 12 \times \Phi 9 \times 7$ mm	12