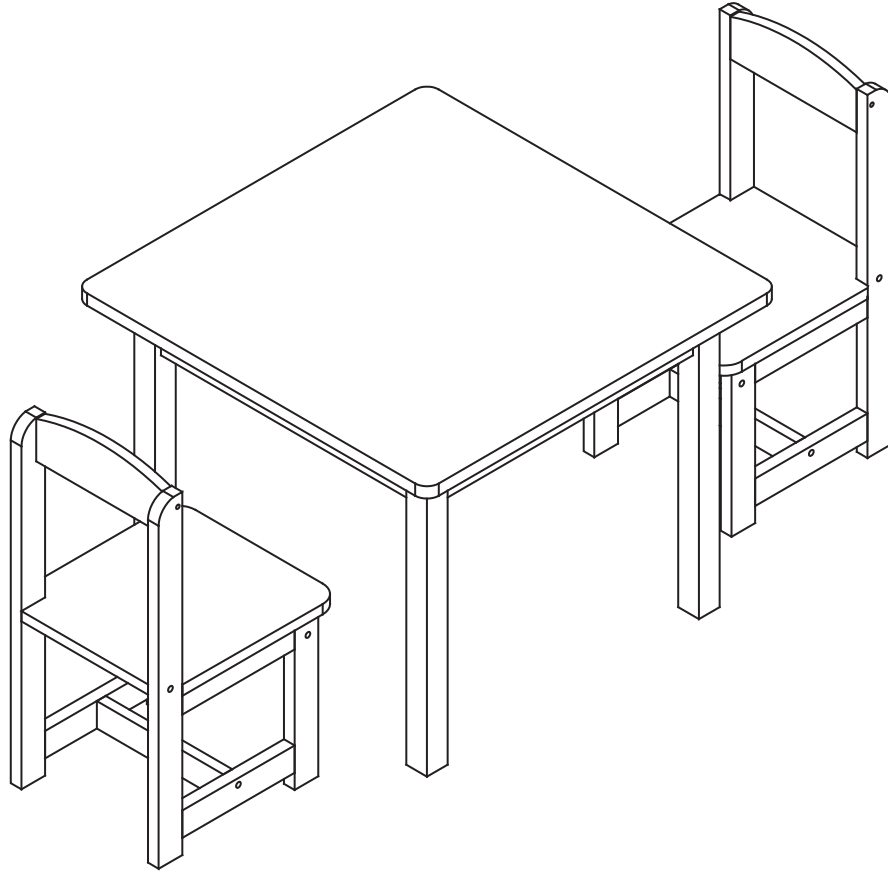


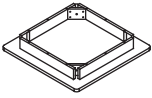
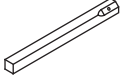
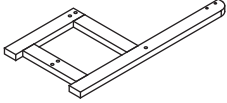
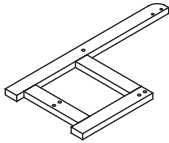
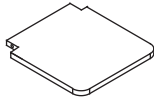
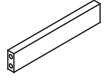


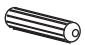


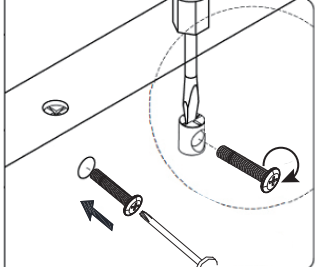
# Assembly Instructions

## 3pc Kids Table & Chair

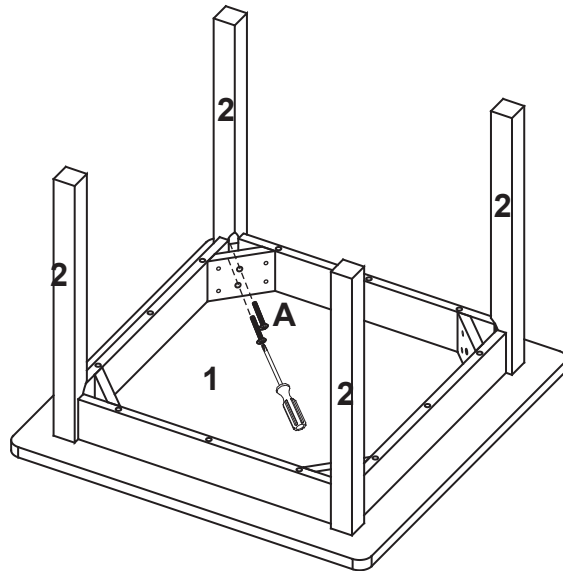


# ASSEMBLY INSTRUCTIONS

## 3pc Kids Table & Chair

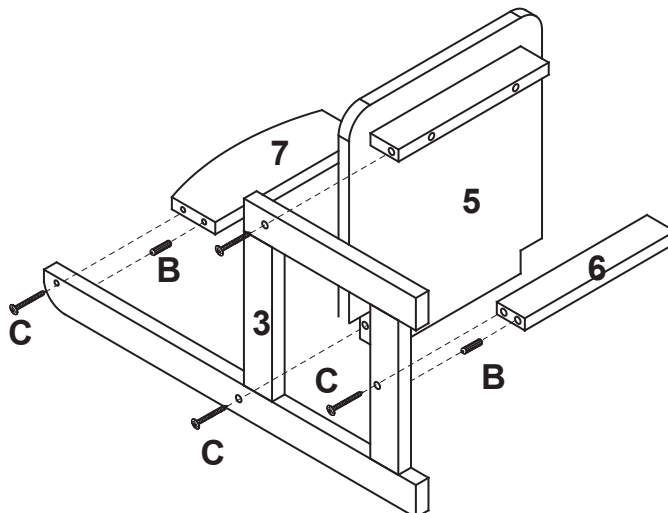
<b>1x1</b>  Table Top Panel	<b>2x4</b>  Table Leg	<b>3x2</b>  Chair Left Side Panel	<b>4x2</b>  Chair Right Side Panel	<b>5x2</b>  Chair Seat Panel	<b>6x2</b>  Chair Bottom Rail
<b>7x2</b>  Chair Back Rail	<b>Ax8</b>  M6X40MM Long Bolt	<b>Bx8</b>  M6X30MM Wood Dowel	<b>Cx16</b>  M5X40MM Screw	Spare 4pcs  Barrel Nut	<b>Instructions For Installing Barrel Nut</b>  <p style="font-size: small;">Use a Flat-head Screwdriver to hold Barrel Nut in position before inserting bolt to thread into the Barrel Nut.</p>

①



On a soft, clean surface, turn the Table Top Panel(1),attache Table Leg(2) to Table Top Panel(1) by using Long Bolt(A) as shown.

②

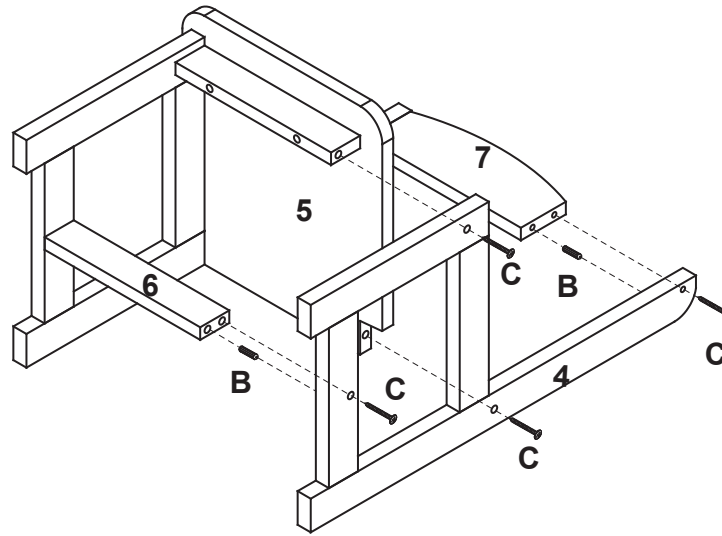


Assembly Chair Left Side Panel (3) to Chair Seat Panel (5) , Chair Bottom Rail (6) , Chair Back Rail (7) by using Screw (C) and Wood Dowel(B) as shown.

## ASSEMBLY INSTRUCTIONS

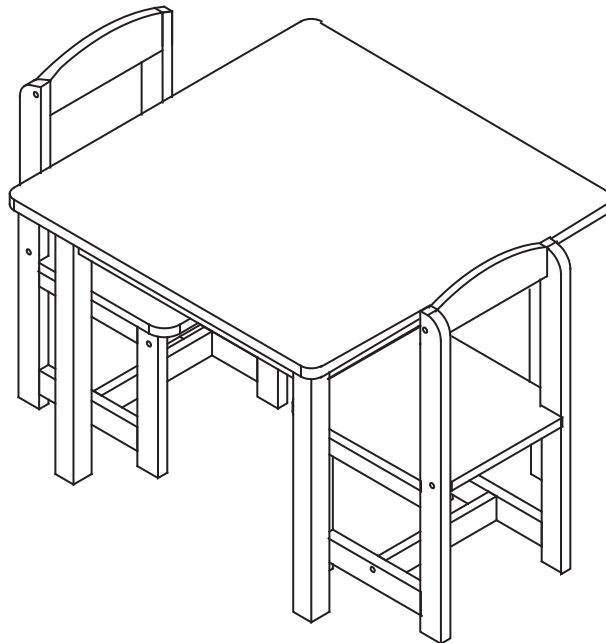
### 3pc Kids Table & Chair

③



Assembly Chair Right Side Panel (4) to Chair Seat Panel (5) , Chair Bottom Rail (6) , Chair Back Rail (7) by using Screw (C) and Wood Dowel(B) as shown.

④



#### WARNING:

DO NOT STAND ON THE CHAIR, DO NOT USE THIS CHAIR AS A STEP LADDER.

USE THIS PRODUCT ONLY FOR SEATING ONE PERSON AT A TIME.

DO NOT USE THIS CHAIR UNLESS ALL BOLTS, SCREWS AND KNOBS ARE FIRMLY SECURED.

AT LEAST EVERY 4 MONTHS, CHECK ALL BOLTS, SCREWS AND KNOBS TO BE SURE THEY ARE TIGHT.

IF PARTS ARE MISSING, BROKE, DAMAGED OR WORN, STOP USING THIS PRODUCT UNTIL YOU HAVE REPAIRED IT FULLY.

FAILURE TO FOLLOW THESE WARNINGS COULD RESULT IN SERIOUS INJURY.

PLEASE DO NOT USE KNIFE TO OPEN ANY PARTS OF THE BOX OR CHAIR.