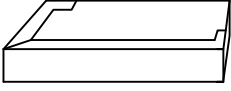
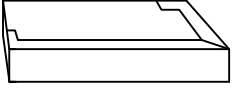
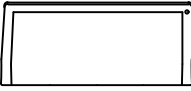
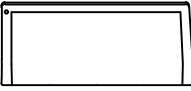



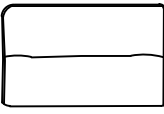







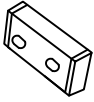

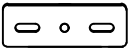



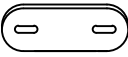

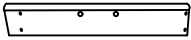
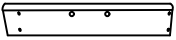
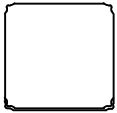
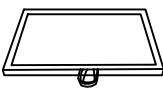



Accessories listsiting sofa

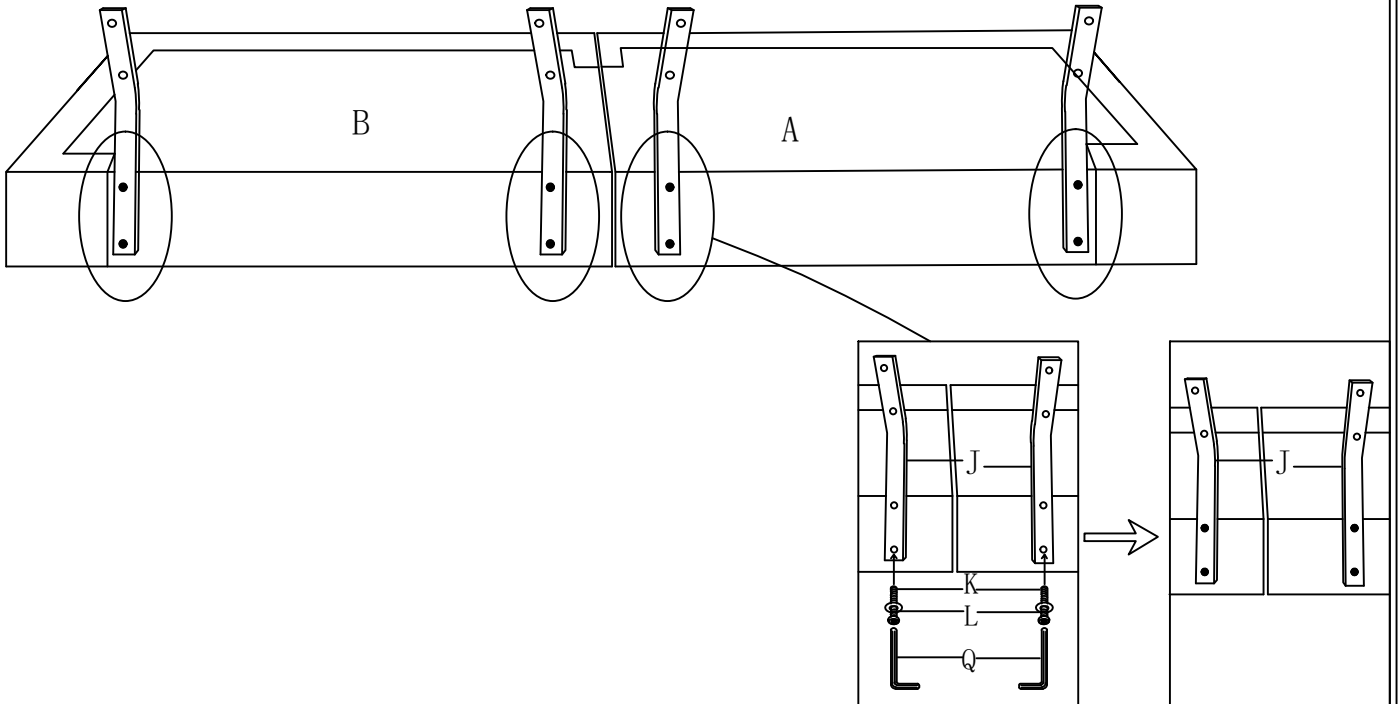
Carton 1/2

<p>A</p>  <p>Right seat frame(1)</p>	<p>B</p>  <p>Left seat frame(1)</p>	<p>C</p>  <p>Right backrest(1)</p>	<p>D</p>  <p>Left backrest(1)</p>	<p>E</p>  <p>Right seat cushion(1)</p>
<p>F</p>  <p>Seat cushion(1)</p>	<p>G</p>  <p>Left seat cushion(1)</p>	<p>H</p>  <p>Back cushion(2)</p>	<p>I</p>  <p>Back cushion(1)</p>	<p>J</p>  <p>Hardware(4)</p>
<p>K</p>  <p>6*40 Screw(24)</p>	<p>L</p>  <p>16mm Gasket(58)</p>	<p>M</p>  <p>Leg(8)</p>	<p>N</p>  <p>6*25 Screw(34)</p>	<p>O</p>  <p>Middle Leg(2)</p>
<p>P</p>  <p>Square hardware(4)</p>	<p>Q</p>  <p>M4*100*30 Wrench(2)</p>	<p>R</p>  <p>Metal plate(2)</p>	<p>S</p>  <p>17mm Gasket(4)</p>	<p>T</p>  <p>8*30 Screw(4)</p>
<p>U</p>  <p>M5*105*55 Wrench(1)</p>	<p>V</p>  <p>Metal plate(1)</p>	<p>W</p>  <p>M4*65*23 Wrench(1)</p>		

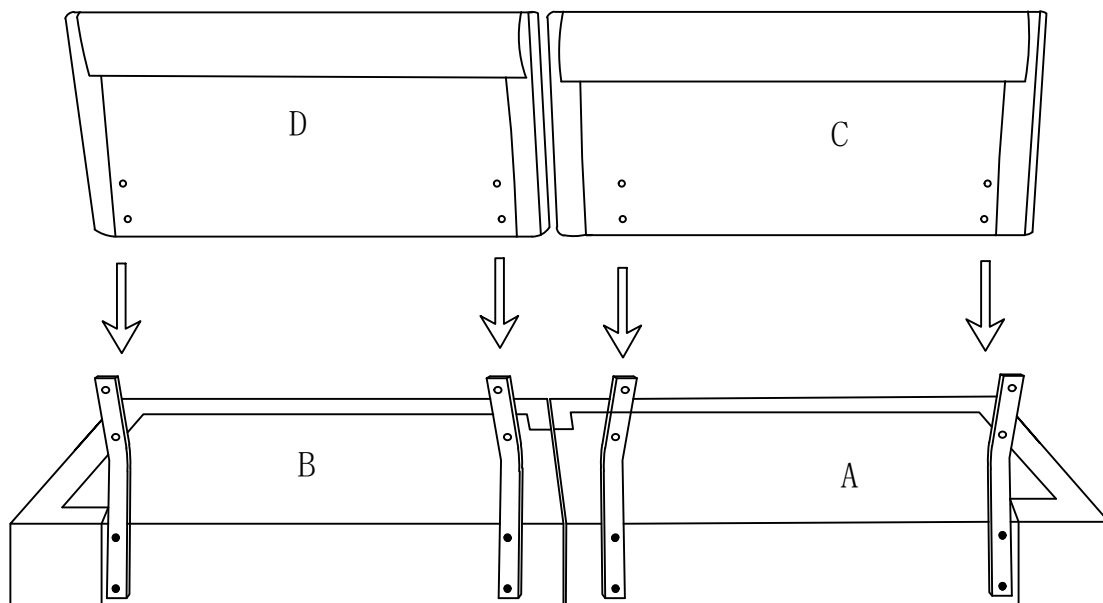
Carton 2/2

<p>X</p>  <p>Long ottoman side panel(2)</p>	<p>Y</p>  <p>Short ottoman side panel(2)</p>	<p>Z</p>  <p>Ottoman base plate(1)</p>	<p>①</p>  <p>Ottoman panel(1)</p>	<p>②</p>  <p>Ottoman seat cushion(1)</p>
--	---	---	--	---

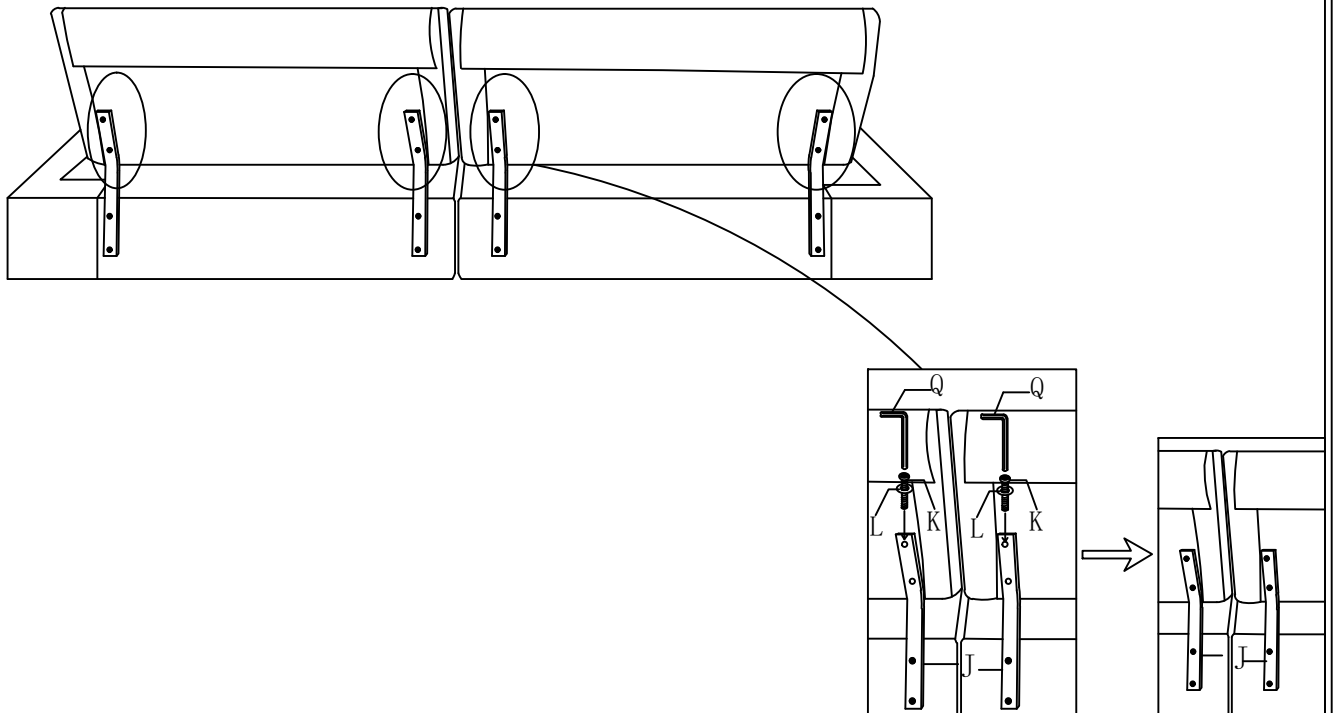
STEP 1: Adjust the screws for installing hardware on the sofa seat frame



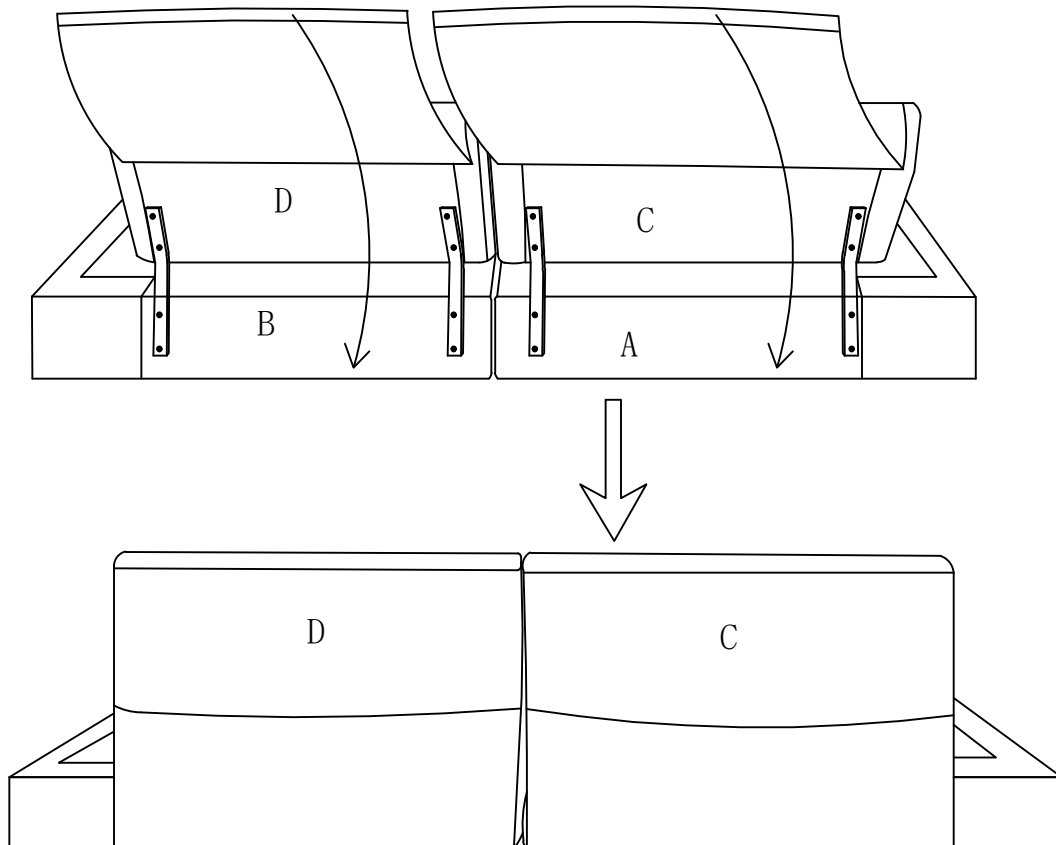
STEP 2: Lower the backrest and align it with the hardware hole



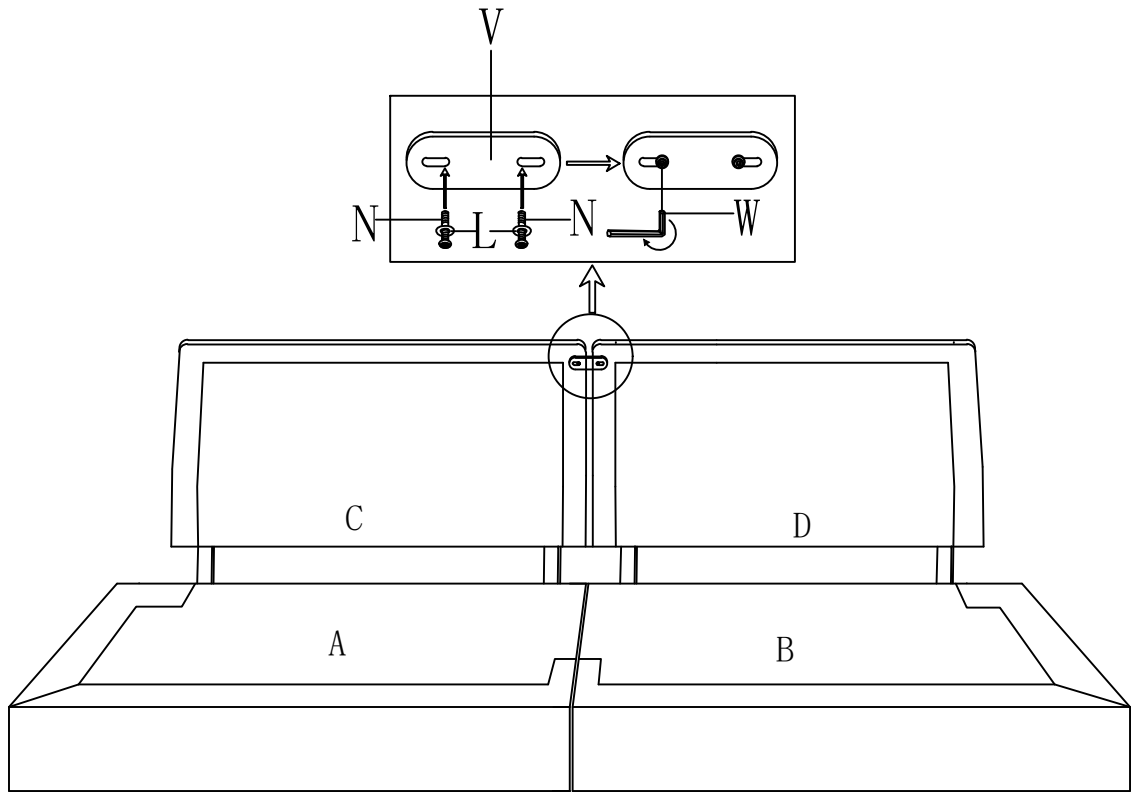
STEP 3: Install hardware screws



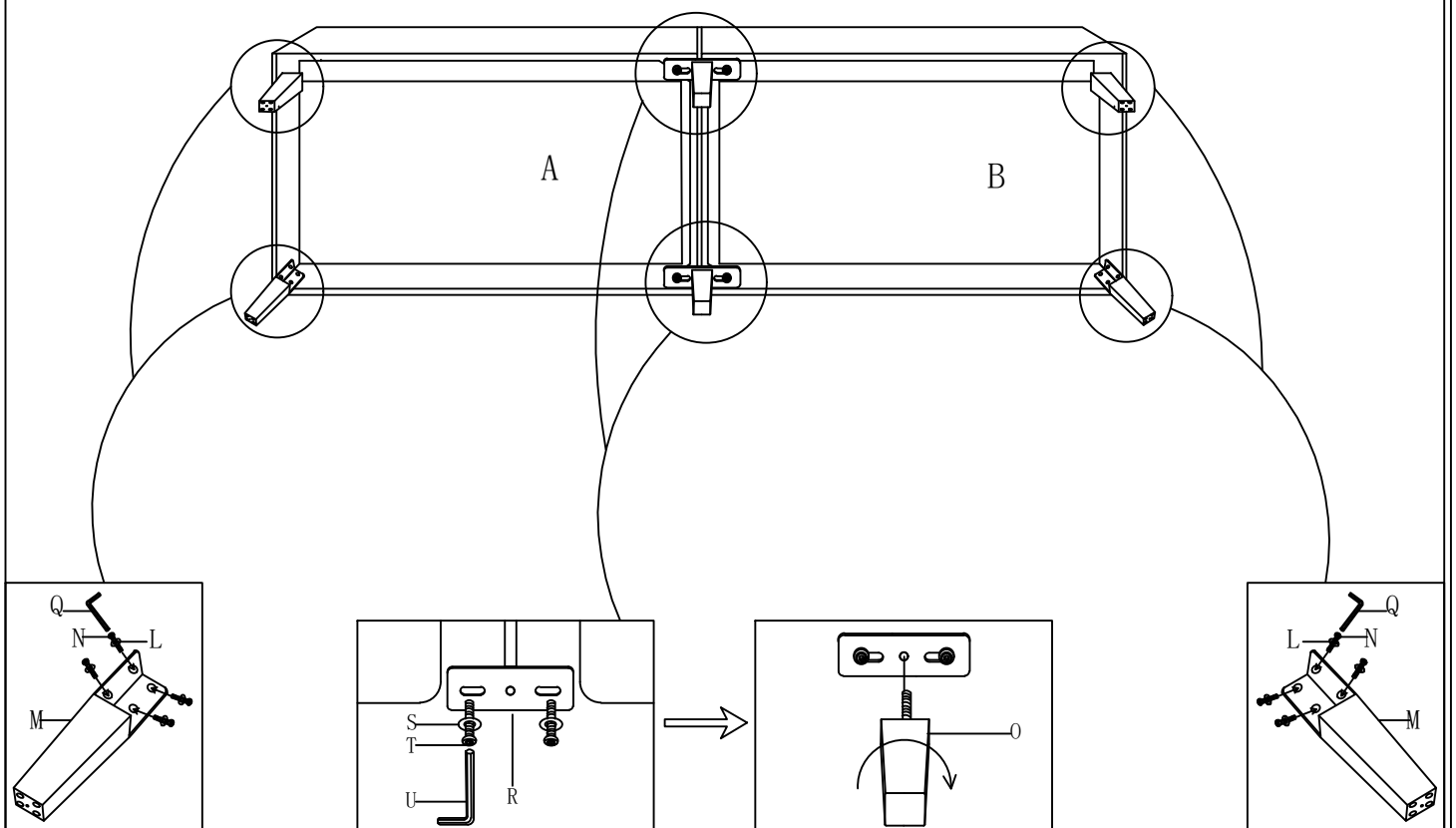
STEP 4: Flip the backrest cloth and stick the Velcro on the backrest cloth to the seat frame



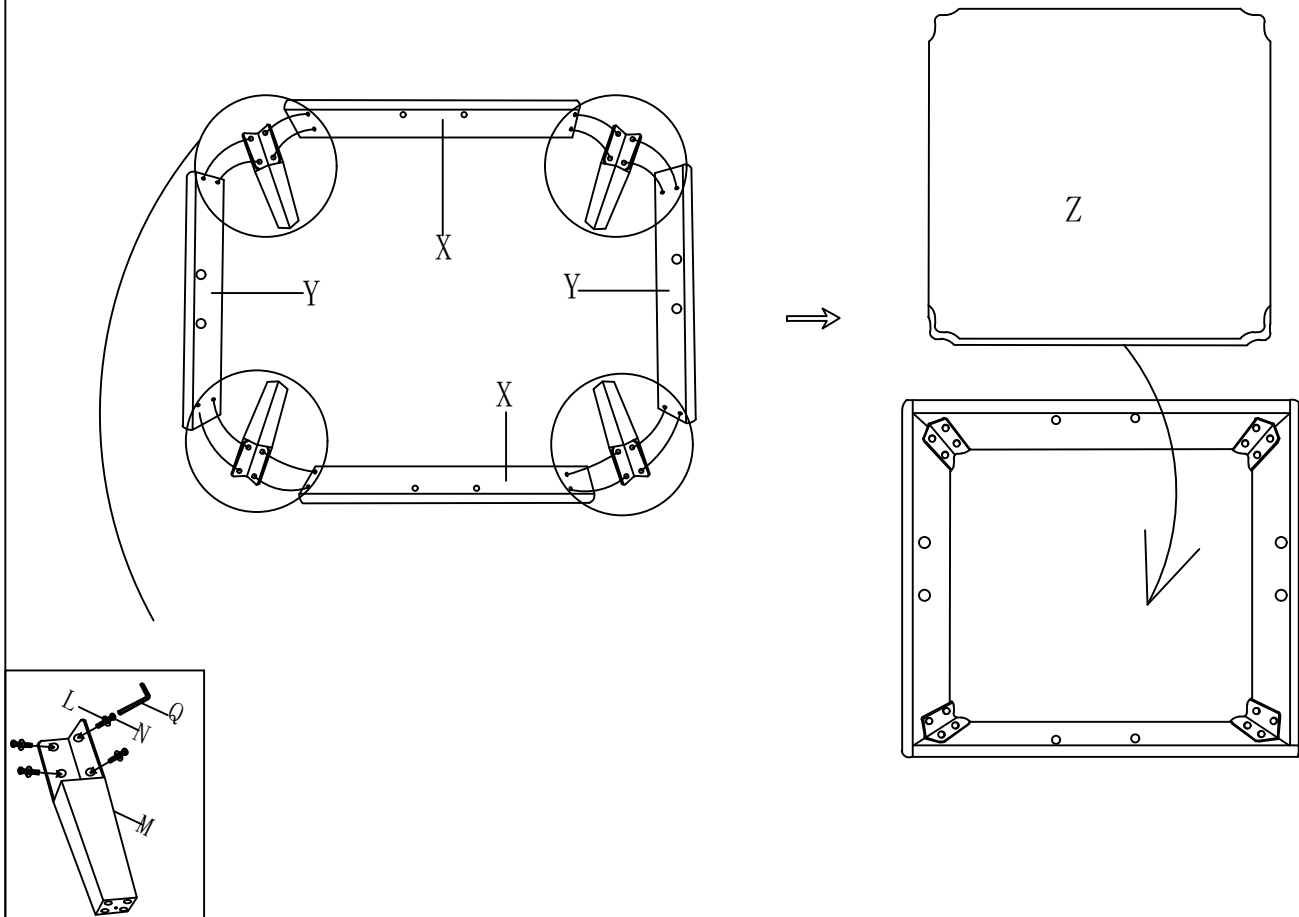
STEP 5: Lock the backrest with the metal plate



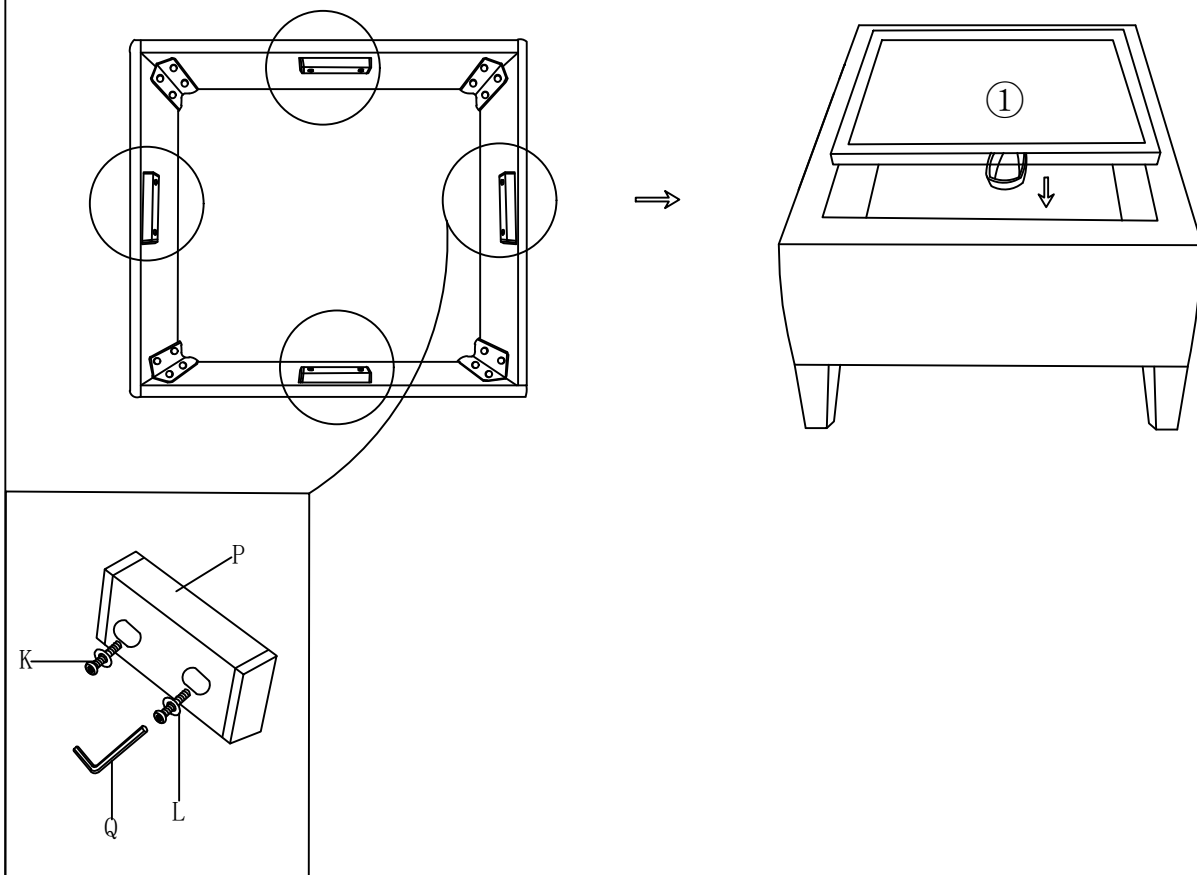
STEP 6: Install the legs of sofa



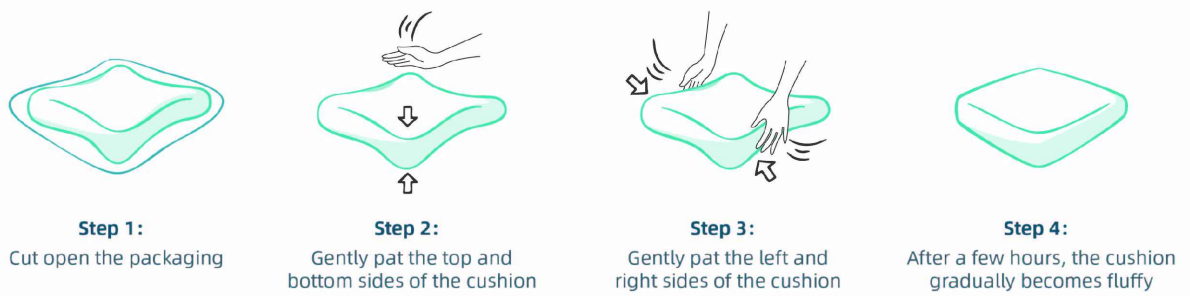
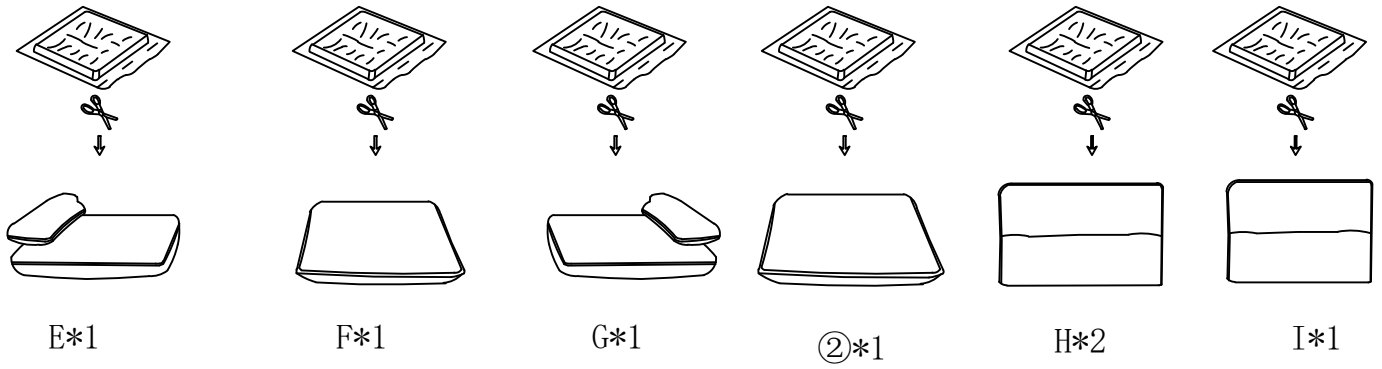
STEP 7: Connect the hardware between the sofa corner and the ottoman side panel, then install the ottoman base plate



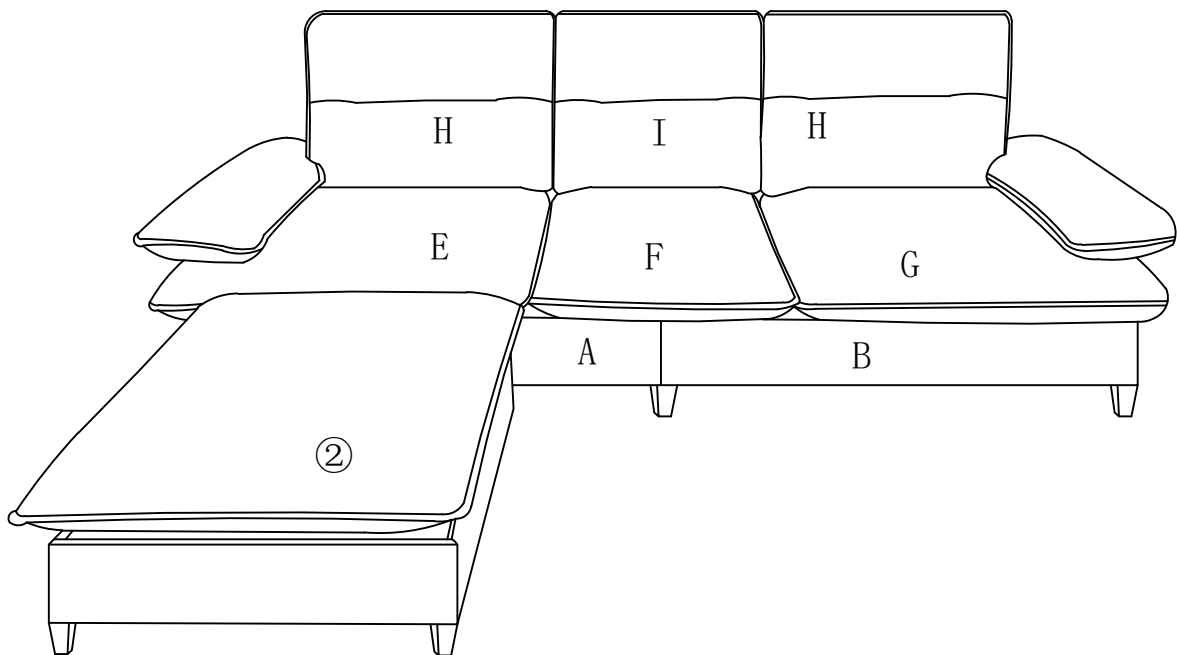
STEP 8: Install the square tube hardware for the ottoman pedal side panel and place the ottoman pedal cover plate on top



STEP 9: Cut the compression bag



STEP 10: Assembly completed



1. Part B、C、D、E、F、G、H、I、J、K、L、M、N、O、P、Q、R、S、T、U、V、W、
are placed in the box 1/2 (A)

2. Part X、Y、Z、①、②、 are placed in the box 2/2 (B)

