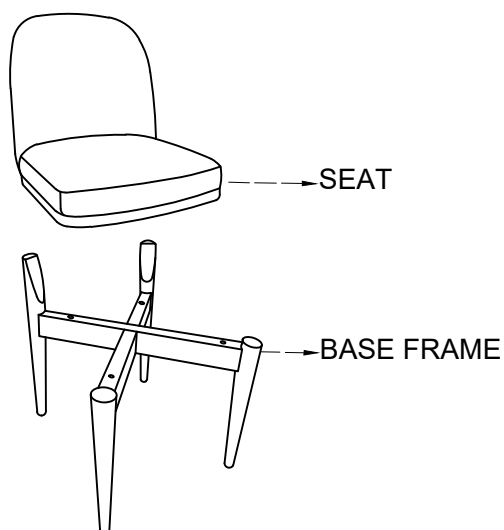
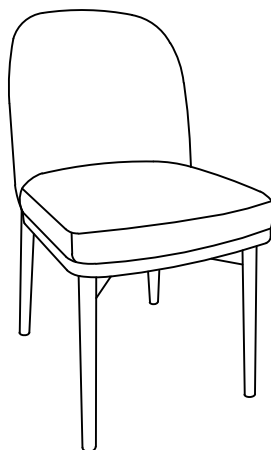
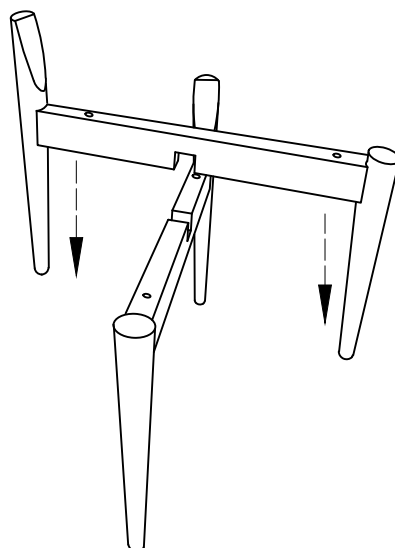


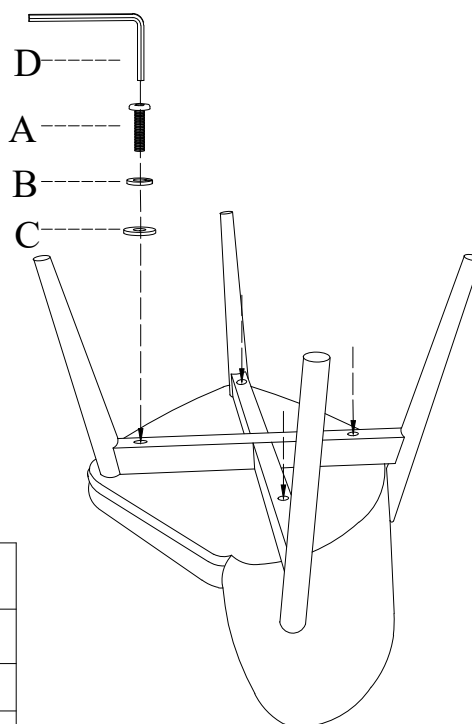
ASSEMBLY INSTRUCTIONS






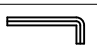
Step 1



Step 2



HARDWARE LIST

A		Bolt (Ø1/4"*3")	4pcs
B		Lock Washer (Ø1/4")	4pcs
C		Flat Washer (Ø1/4"*Ø3/4")	4pcs
D		Allen Wrench (4mm)	1pc