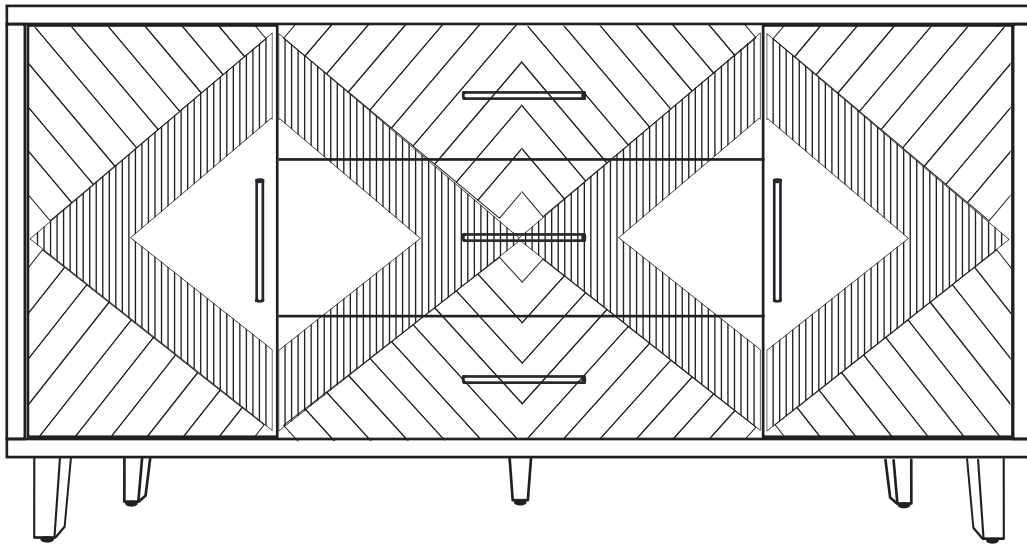


ASSEMBLY INSTRUCTIONS








Thank you for choosing *our products*.

If you find that parts of your order are missing or damaged, we will gladly ship any needed replacement parts free of charge.

If your product's quality does not meet your expectations or you have found any sort of defect, please contact our customer service department and let us know the details of your order and any issues encountered, we will try our best to provide you with a solution. Feel free to also directly contact our manufacturer concerning needed replacement parts and they will be happy to help provide you with a solution or answer any questions you may have.

Recommendations Before Beginning Assembly

-  • Read instructions, cover to cover
-  • Have 2-4 adults on hand for assembly depending on product size
-  • Do not assemble directly on flooring or carpet
-  • Assemble on a clean non-marring surface (example: packing foam)
-  • Save all packaging until finished

Assembly Notice:

- If you encounter any problems during assembly and find that you cannot continue, rest assured we will help you solve the situation as soon as possible. Simply keep all of the parts of the product stored in a safe place and contact us immediately so we may assist you further.
- Once you have opened your package, remove all inner hardware packages and take the parts out. One by one, Place the parts out neatly in front of you, then refer to the instructions to ensure no parts are missing. If any pieces are found missing, please carefully look in the box first, as the hardware packaging might have torn making the

hardware spill in the box.

- Some key parts of your product may be stored and hidden inside of other parts. Please open any zippered or hook & loop storage compartments to remove all parts. (example: cushions and legs being stored in the underside of a sofa)
- **IMPORTANT:** When setting up your product, **DO NOT INSTALL THE SCREWS ALL THE WAY IN THE BEGINNING.** Place each screw into their proper hole and use your hand to twist the screw halfway. Twist all the screws in halfway to ensure the holes will match up properly and the product is level on the ground. When everything seems fitted, then tighten the screws.
- When you have completed assembly, we suggest you have more than one person to assist you with lifting and placing the product.

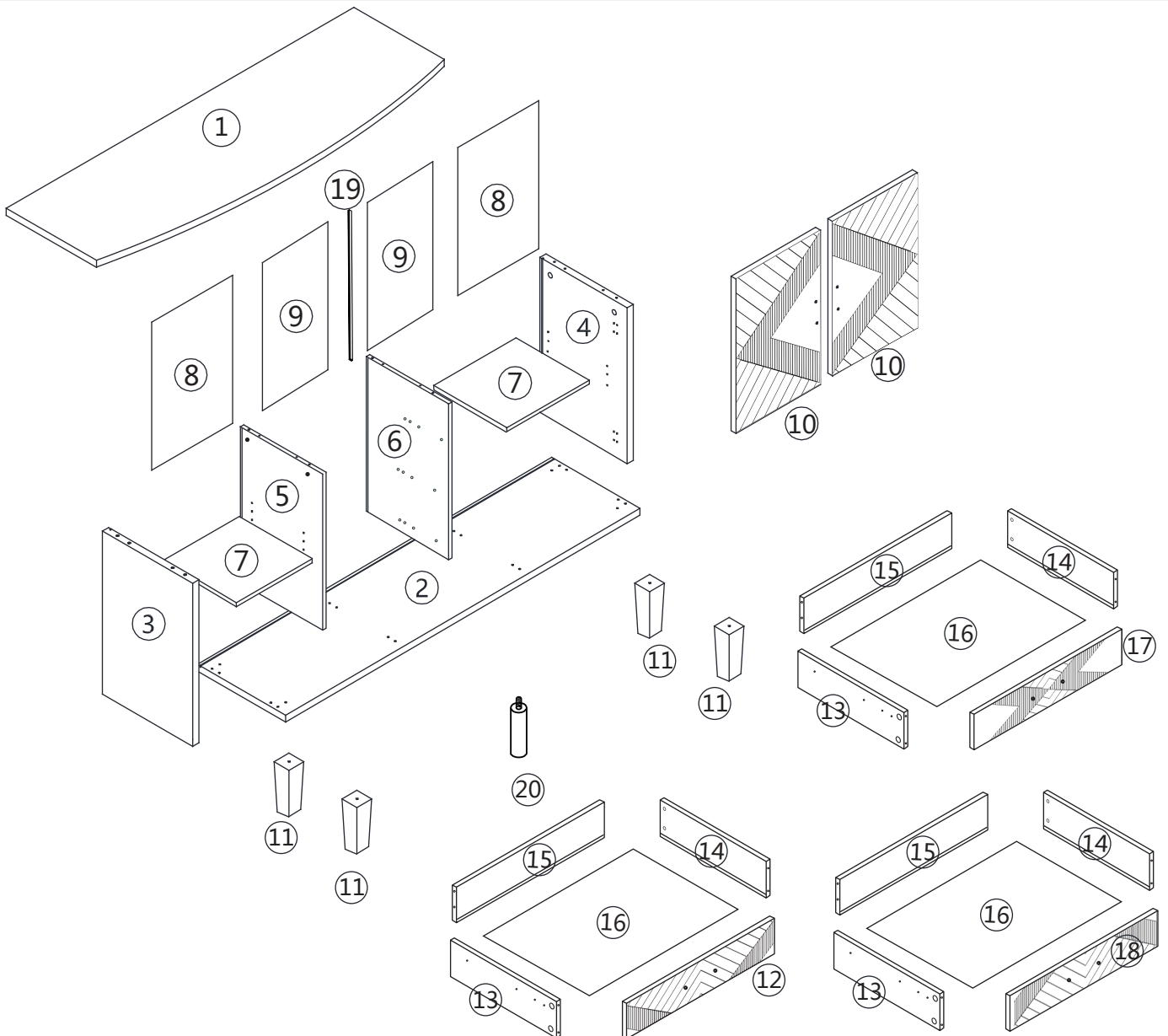
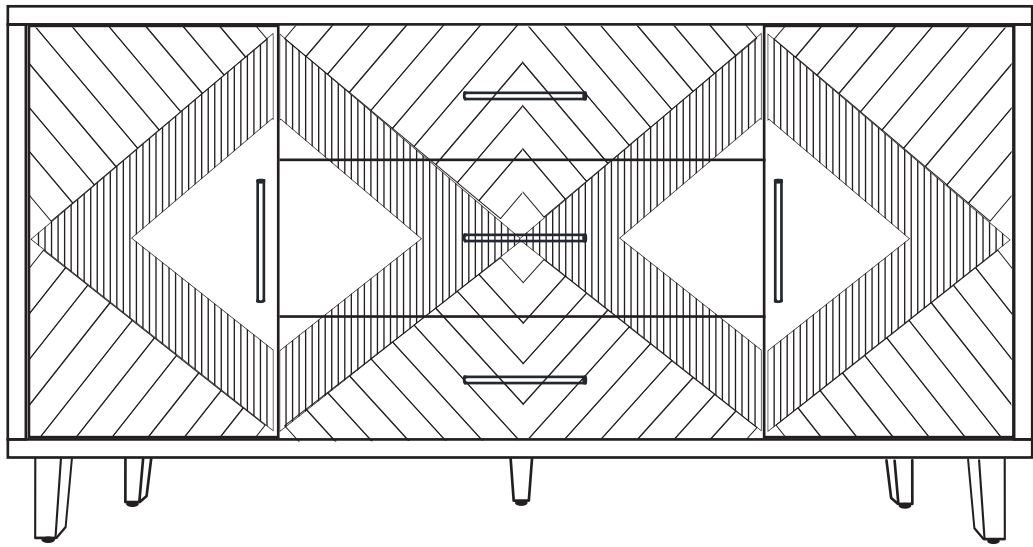
Care & Maintenance






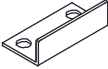



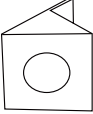
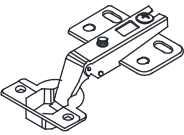




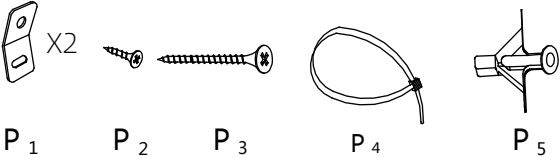
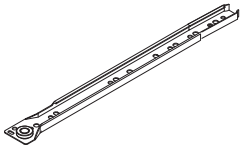
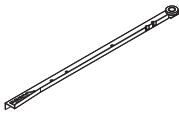
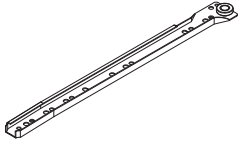
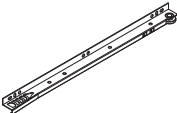



-  Do not put hot items directly on furniture surface
-  Do not clean furniture with harsh cleansers or polish
-  Do not place furniture under direct sunlight
-  Do not place furniture near heating or cooling vents
-  Do not write on furniture without a padded barrier to protect the surface
-  Do not place furniture outside. For indoor use only
-  Not for commercial use. For residential use only
-  Stains may be removed with mild soap solution and damp cloth
-  Children should not climb or jump on the furniture
-  Dust and pick-up spills using a clean, non-colored, lint-free cloth

Caution

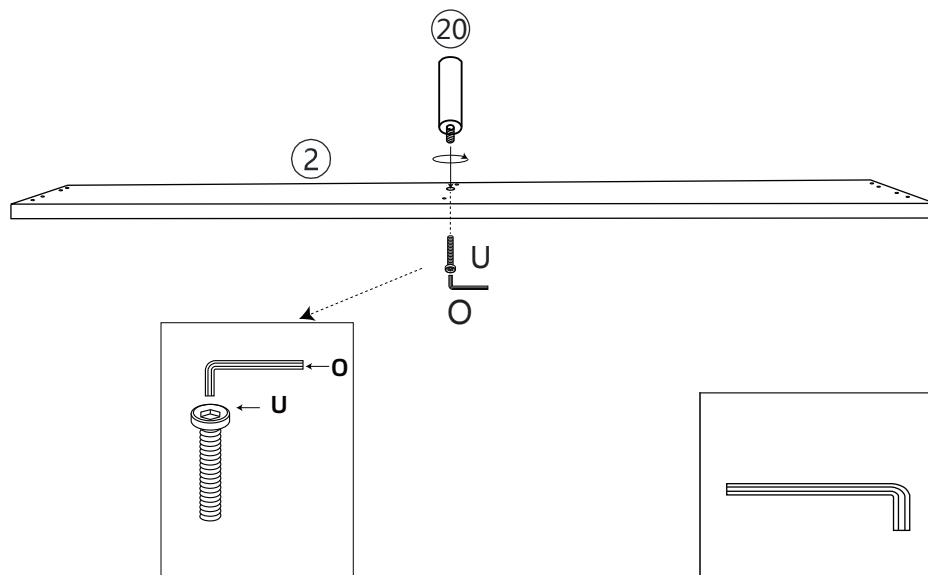
- This product contains small components. Please ensure that they are kept away from small children.
- Do not use power tools to assemble your furniture. Power tools may strip or damage the parts.







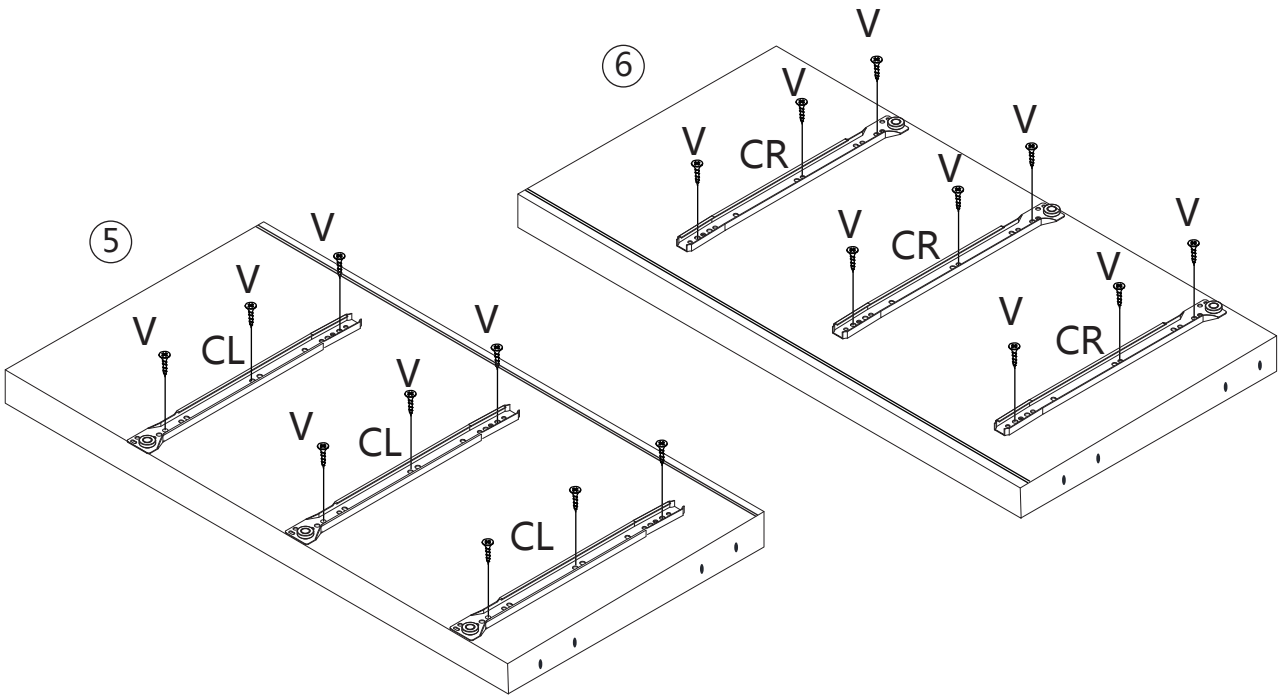
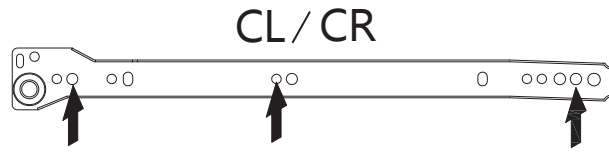
 Ø6x35mm	 Ø15x12mm	 Ø6x30mm	 Ø5x60mm	
AX32	BX32	CX16	DX8	EX1
	 Ø3x14mm			
FX2	GX12	HX2	IX8	JX8
	 Ø4x16mm		 Ø4x22mm	
KX4	LX24	MX5	NX6	OX1
				
PX1	CLX3	DLX3	CRX3	
	 Ø8x35mm	 Ø3.5x12mm	 Ø4x25mm	
DRX3	UX5	VX36	RX4	


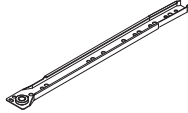
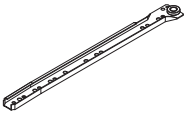
STEP 1



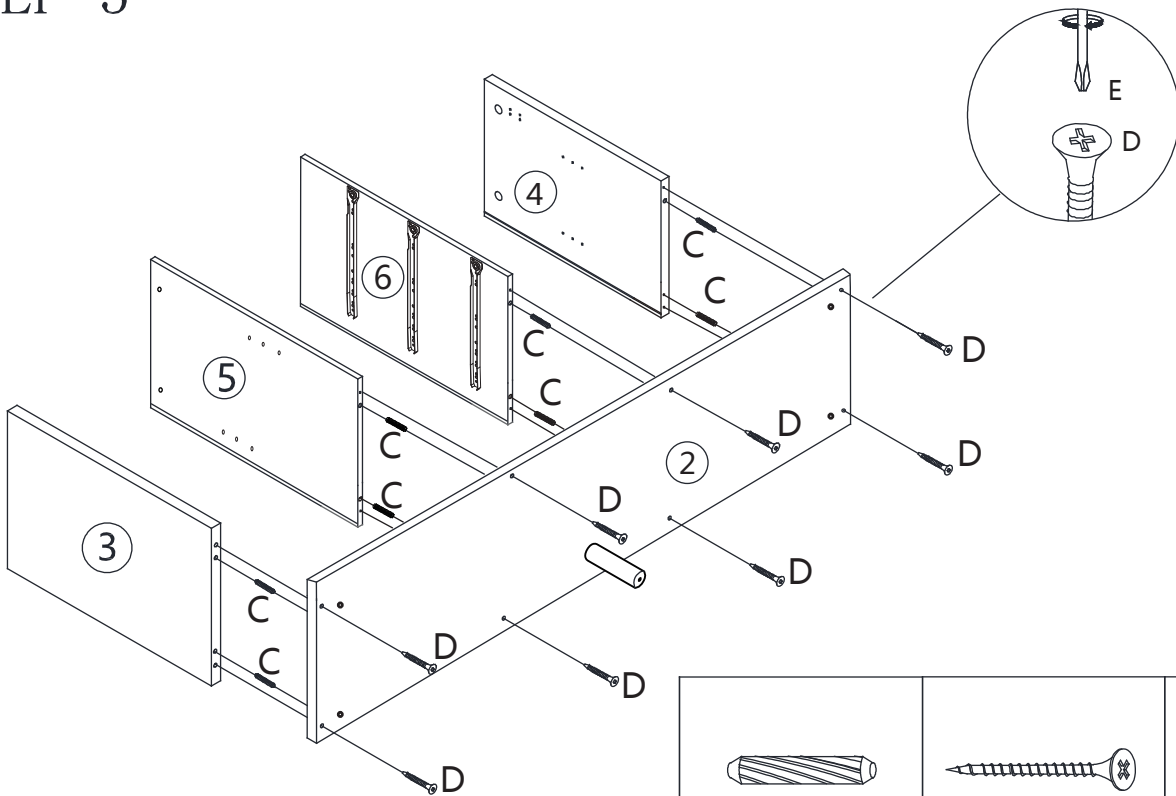
	 Ø8x35mm
OX1	UX1




STEP 2



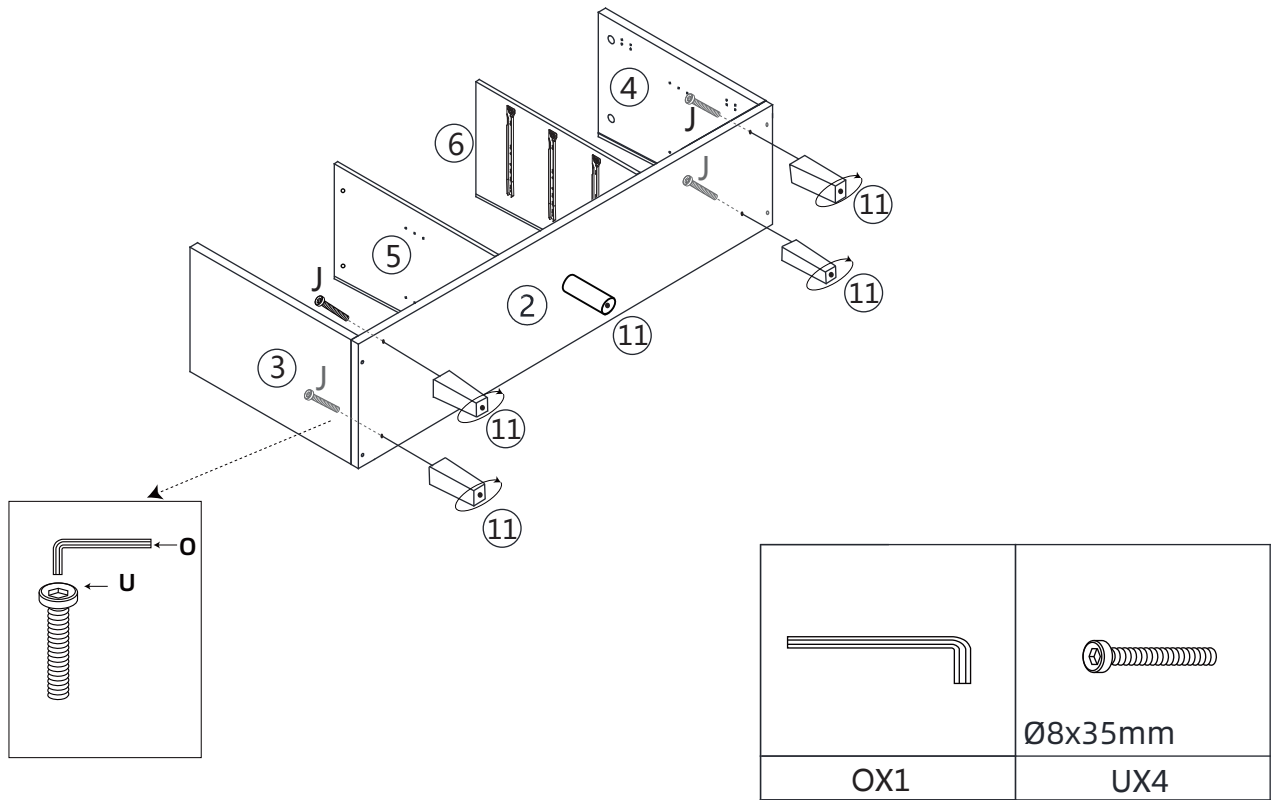
		
Ø3.5x12mm		
VX18	CLX3	CRX3

STEP 3

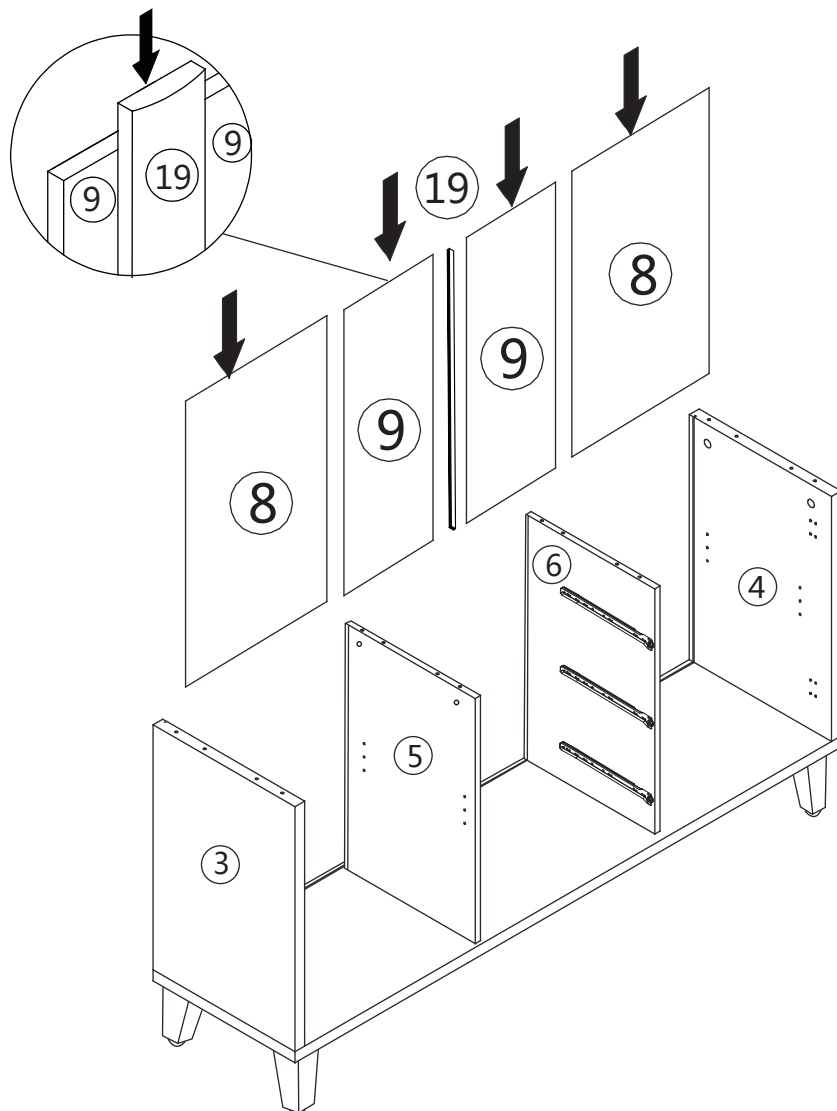


		
Ø6x30mm	Ø5x60mm	
CX8	DX8	EX1

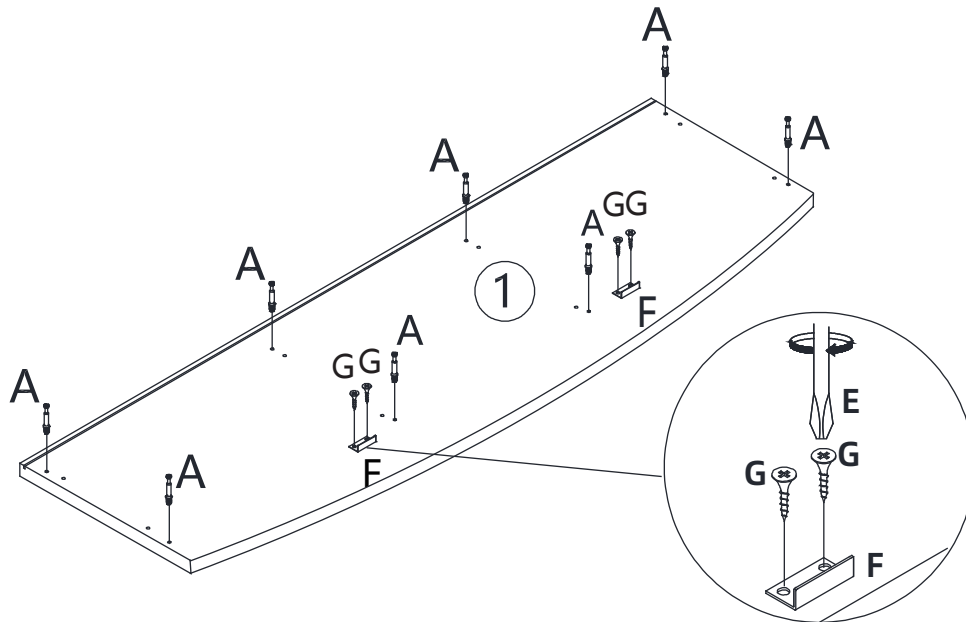
STEP 4


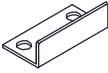



STEP 5

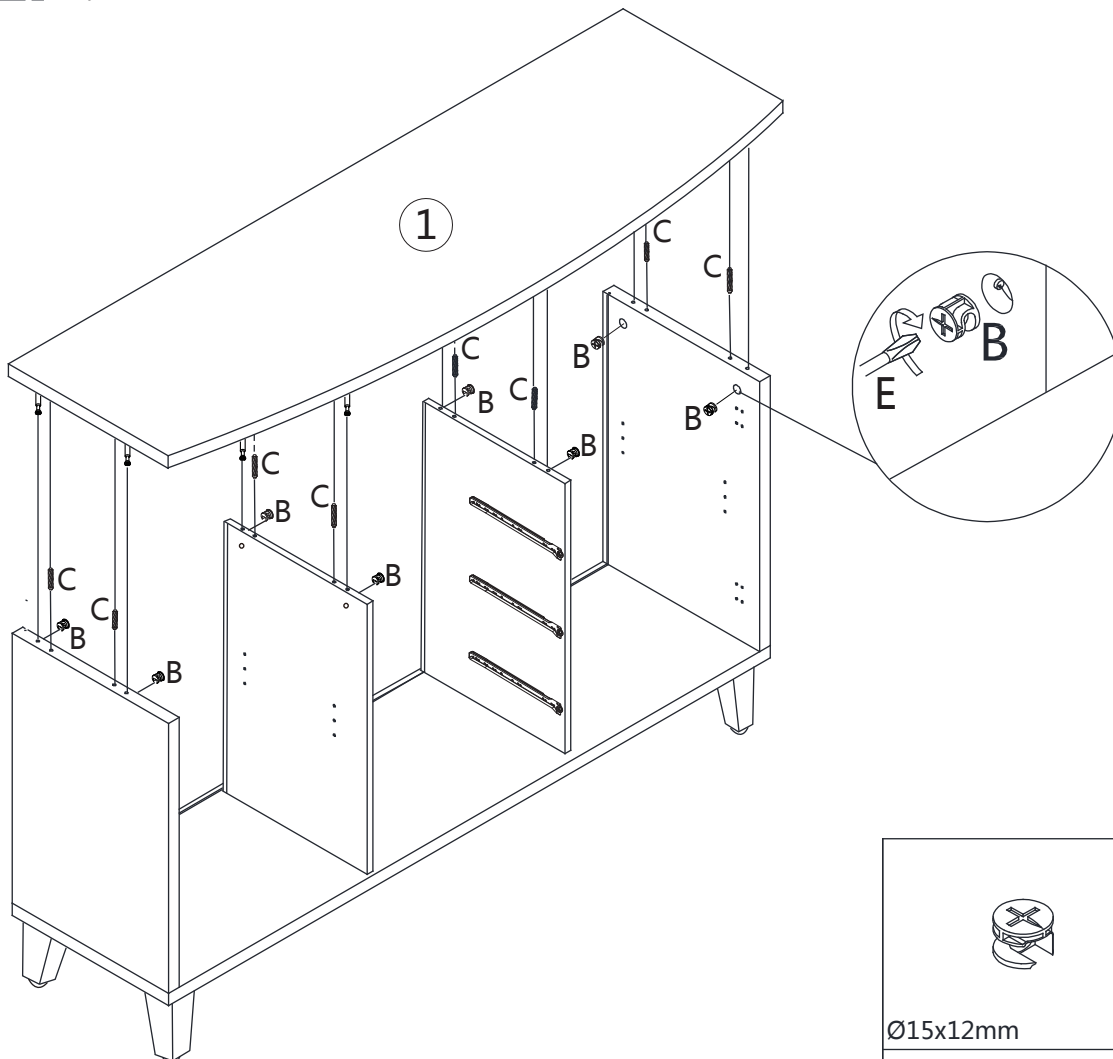




STEP 6



		
Ø6x35mm		Ø3x14mm
AX8	FX2	GX4

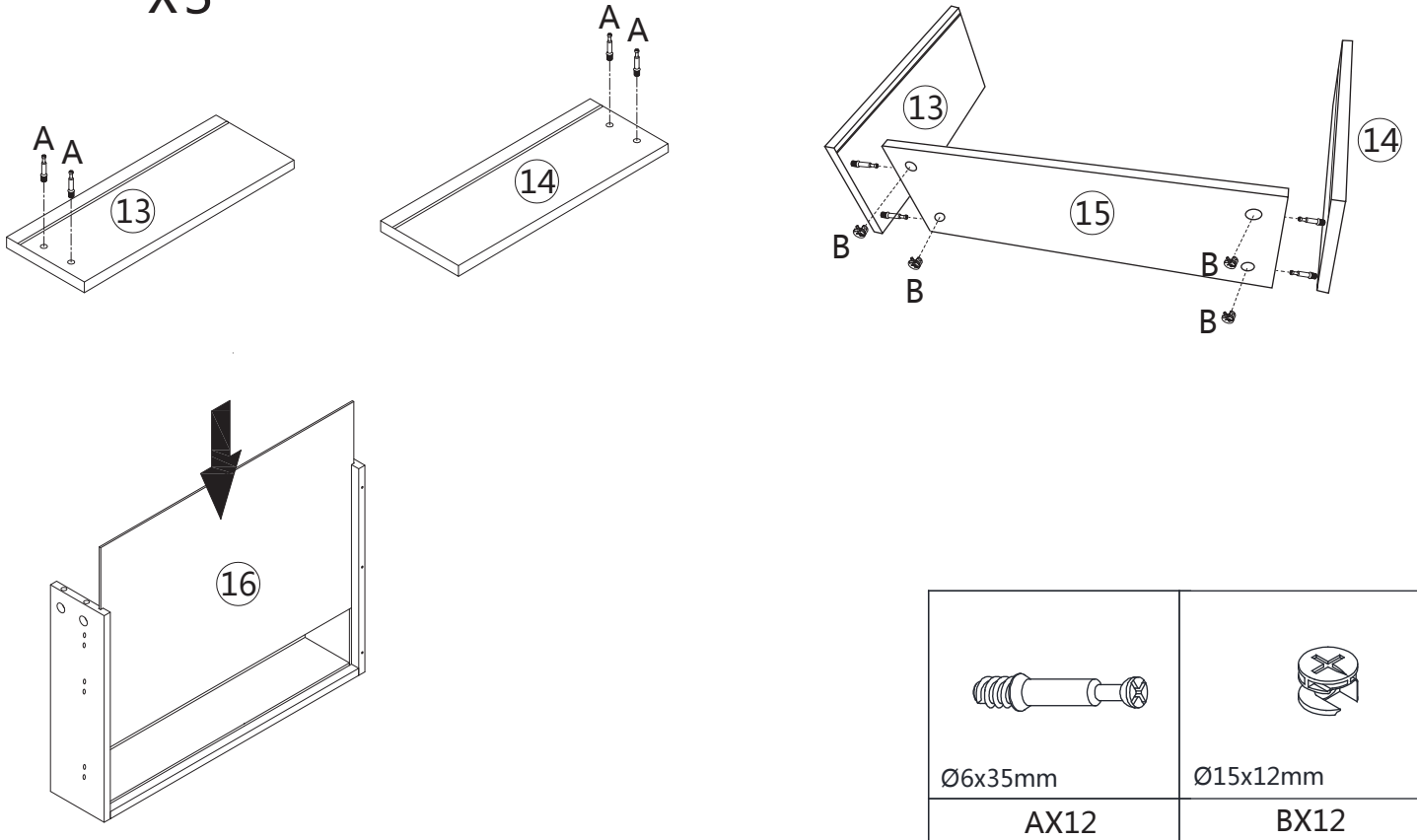
STEP 7



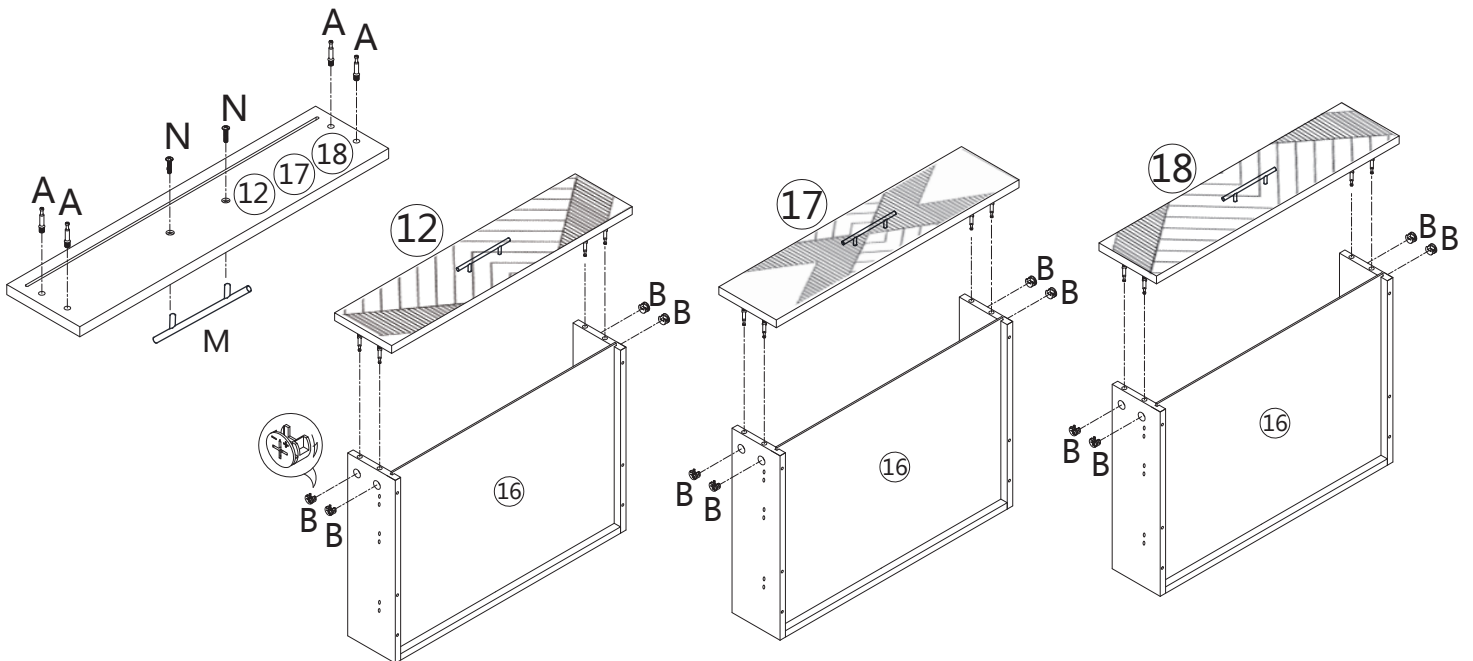
	
Ø15x12mm	Ø6x30mm
BX8	CX8





STEP 8

X3

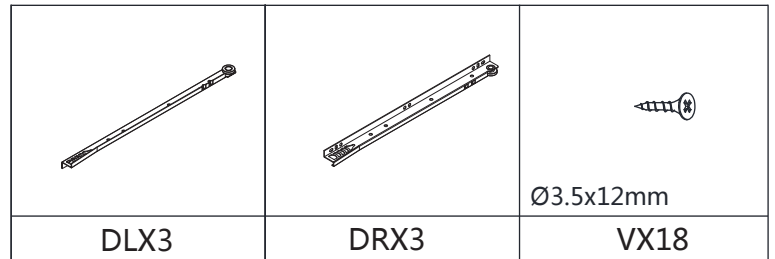
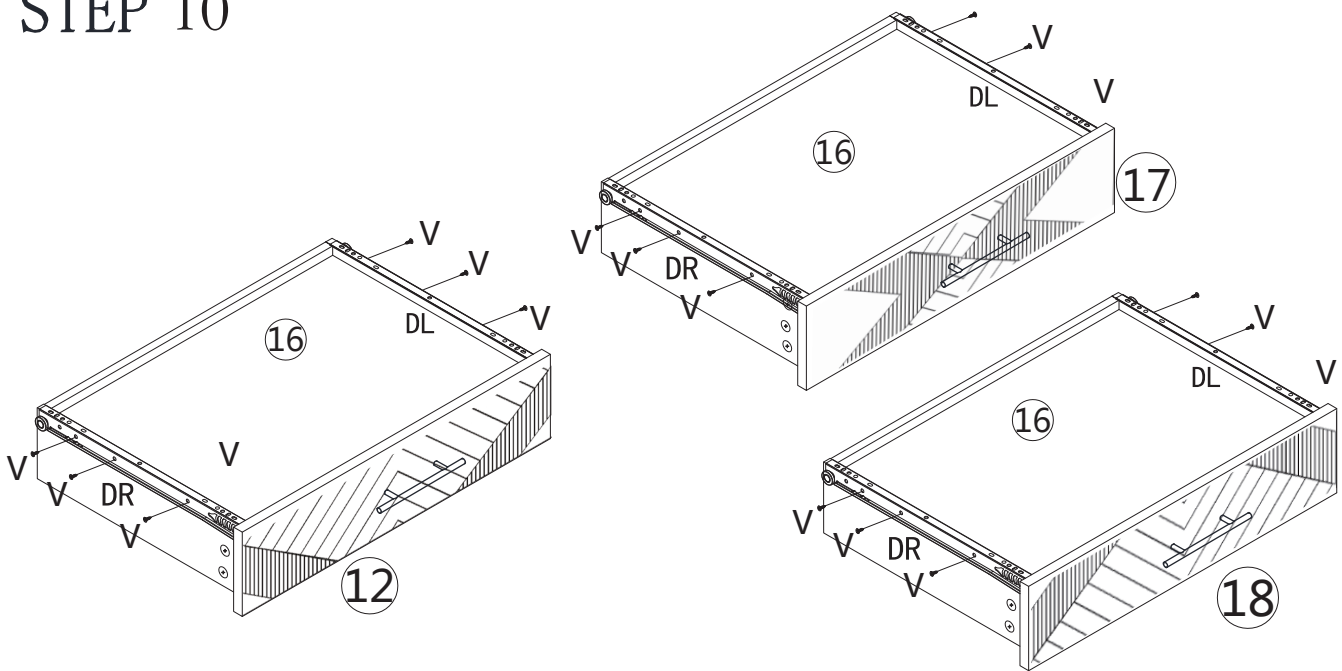


STEP 9

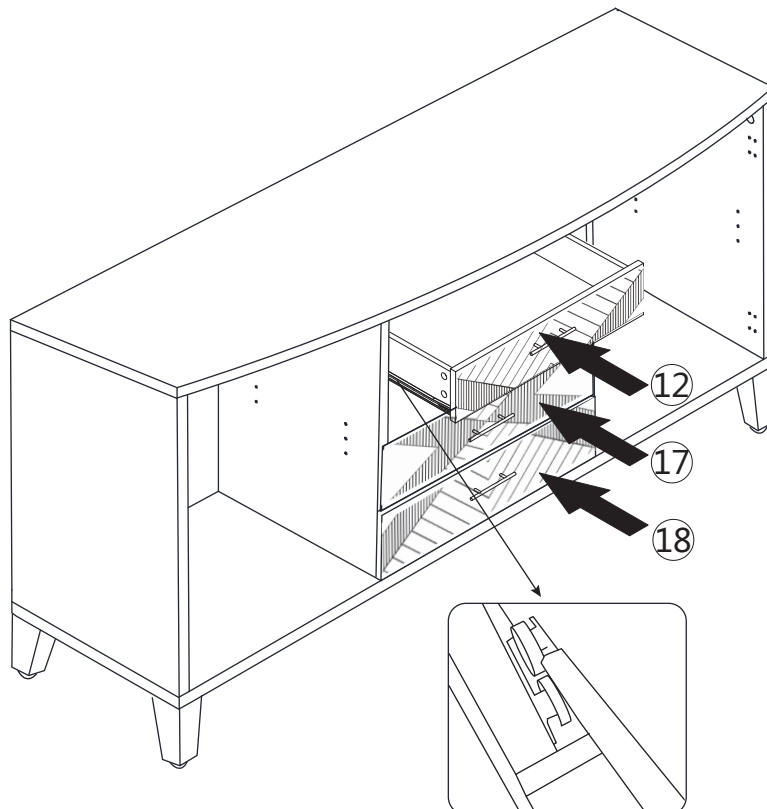


			
Ø6x35mm	Ø15x12mm		Ø4x22mm
AX12	BX12	MX3	NX6

STEP 10

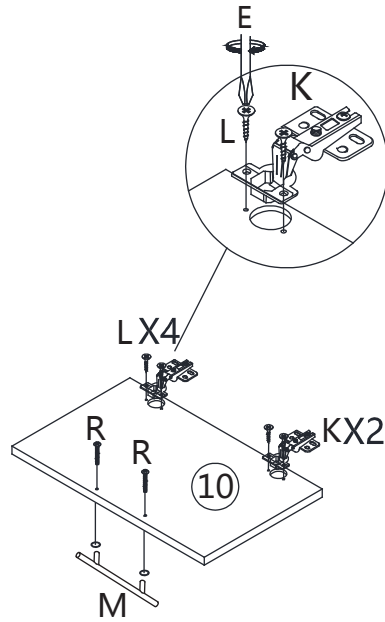


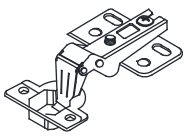



STEP 11



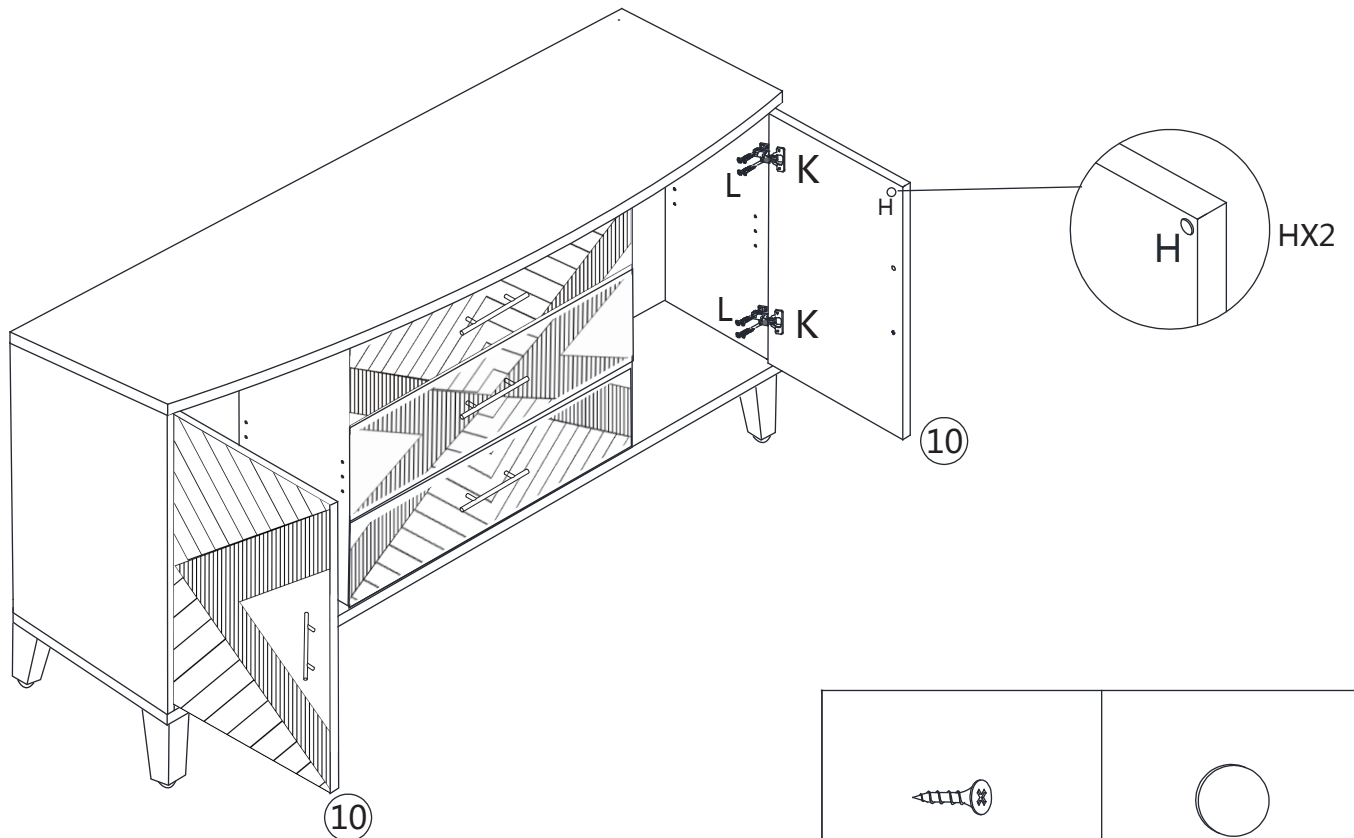
STEP 12



X2



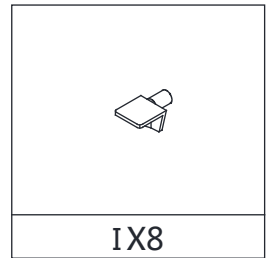
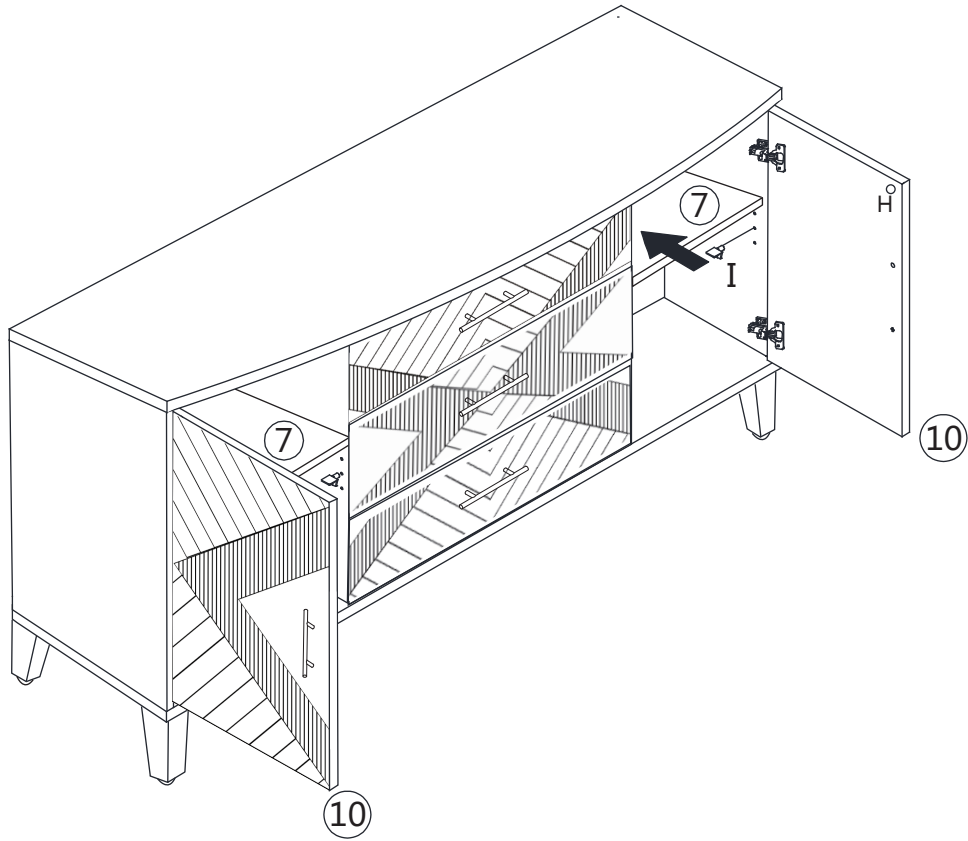
			
KX4	Ø4X16mm LX8	MX2	Ø4X25mm RX4

STEP 13

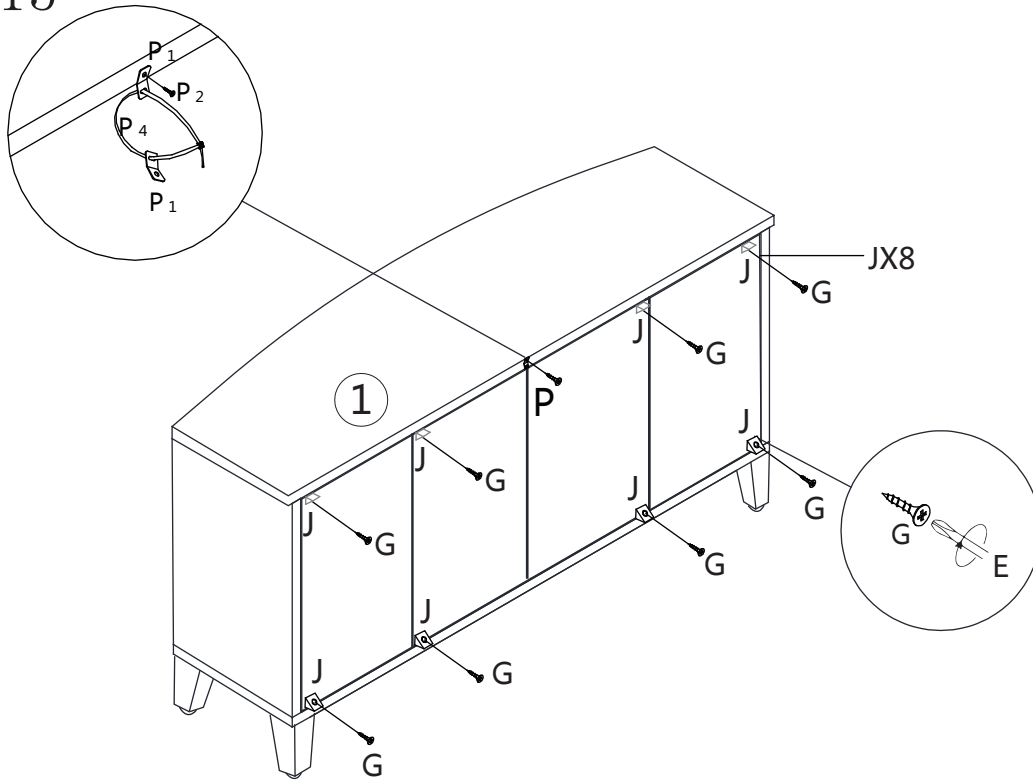



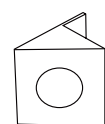


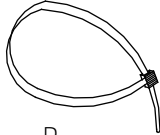
	
Ø4x16mm LX16	HX2

STEP 14

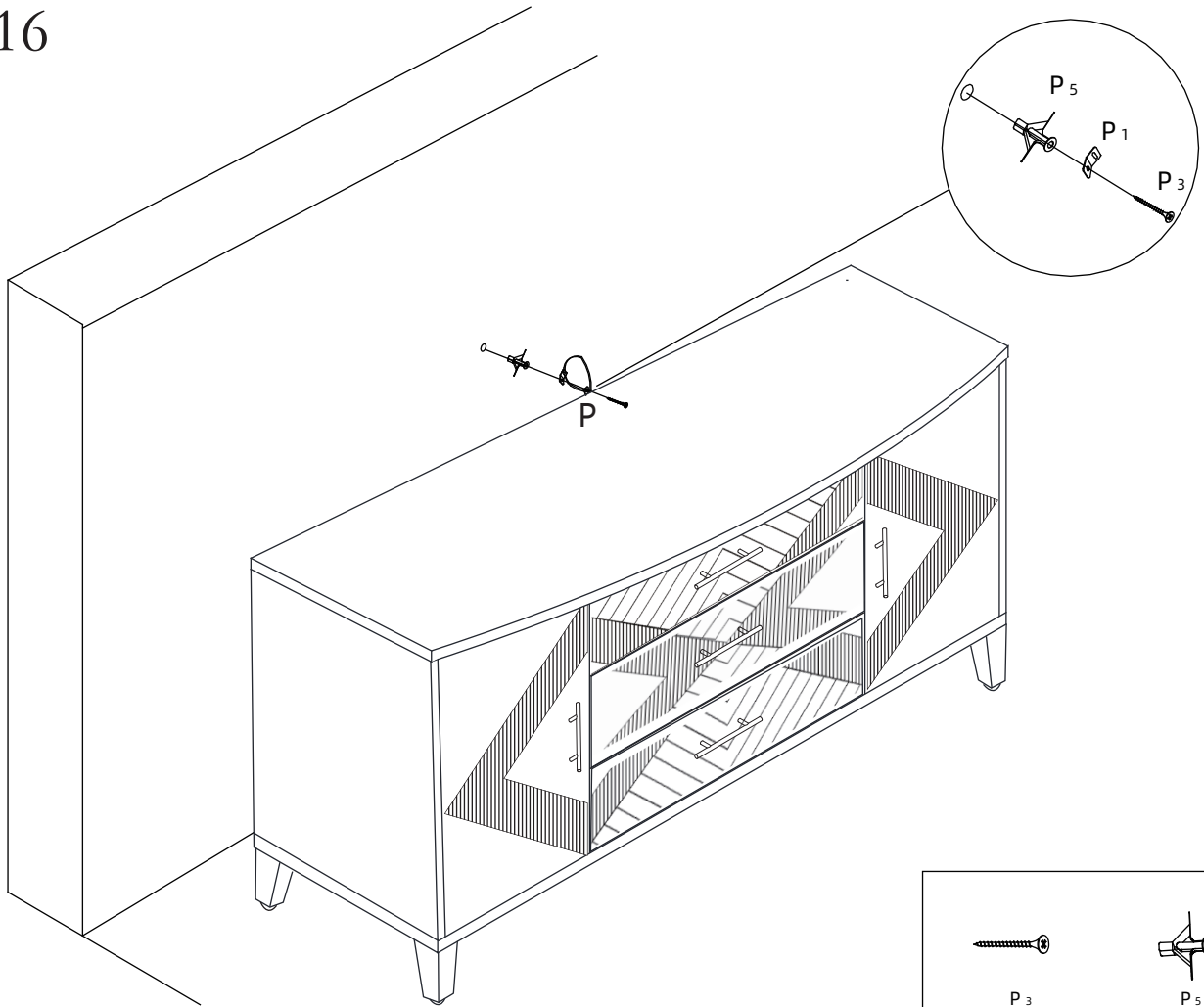


STEP 15



 Ø3x14mm		 X2  
GX8	JX8	PX1

STEP 16

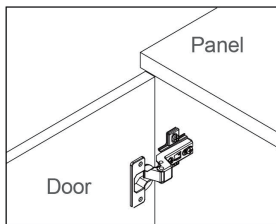


Assembly Steps(EN) / Montageschritte(DE)

HOW TO ADJUST THE HINGES TO ALIGN THE DOORS IF NEEDED.

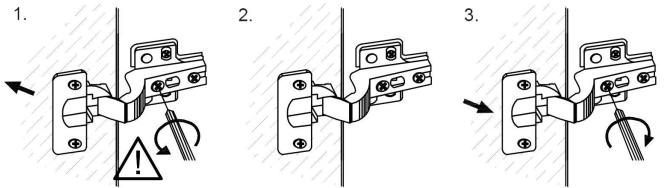
STEP 1

Open the door.



STEP 3

Adjust the flush between door panel and side panel



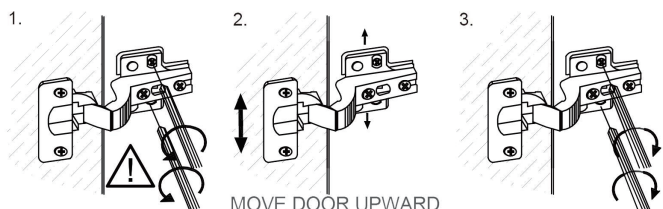
MOVE DOOR OUTWARD
by turning this screw
counter-clockwise

KEEP DOOR IN RIGHT
POSITION

MOVE DOOR OUTWARD
by turning this screw
clockwise

STEP 2

Adjust the door panels upward or downward



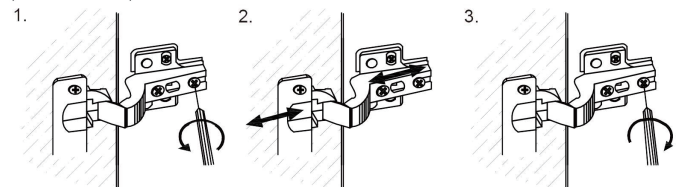
Unscrew 2 screws in round
holes loosen 2 screws in oval
holes a bit.

MOVE DOOR UPWARD
OR DOWNWARD

Tighten 2 screws in oval
holes. Screw in 2 screws in
round holes

STEP 4

Adjust the Gap between door
panel and side panel



Loosen this screw a bit.

MOVE DOOR BACK OR
FORTH

Re-tighten this screw.