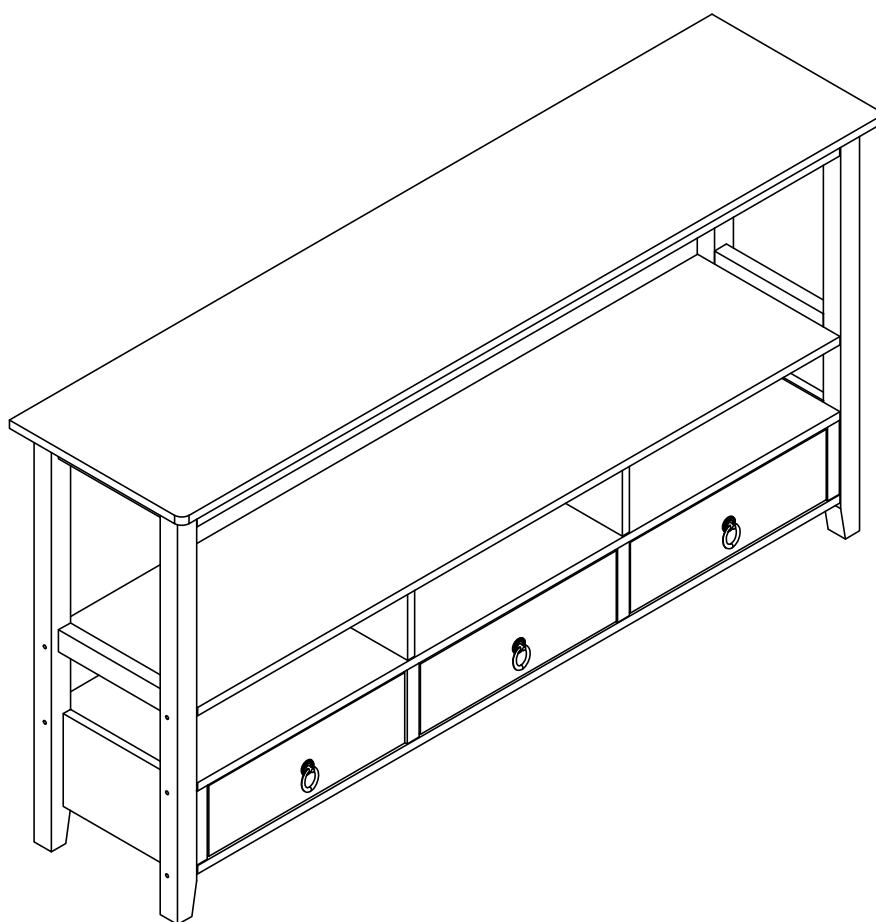
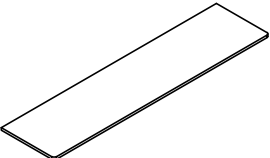
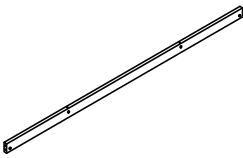
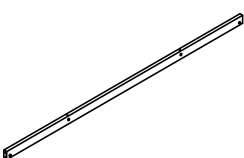
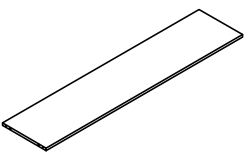
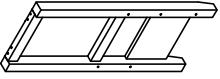
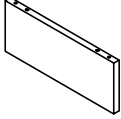
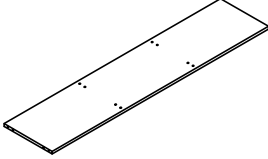
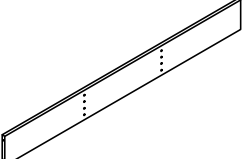
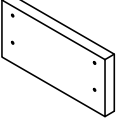
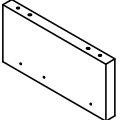
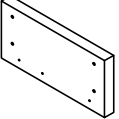

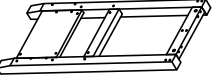
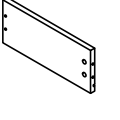
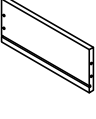
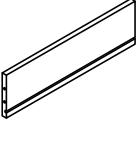
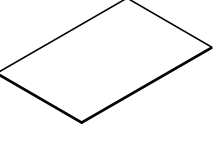
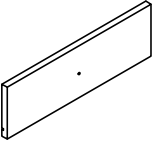
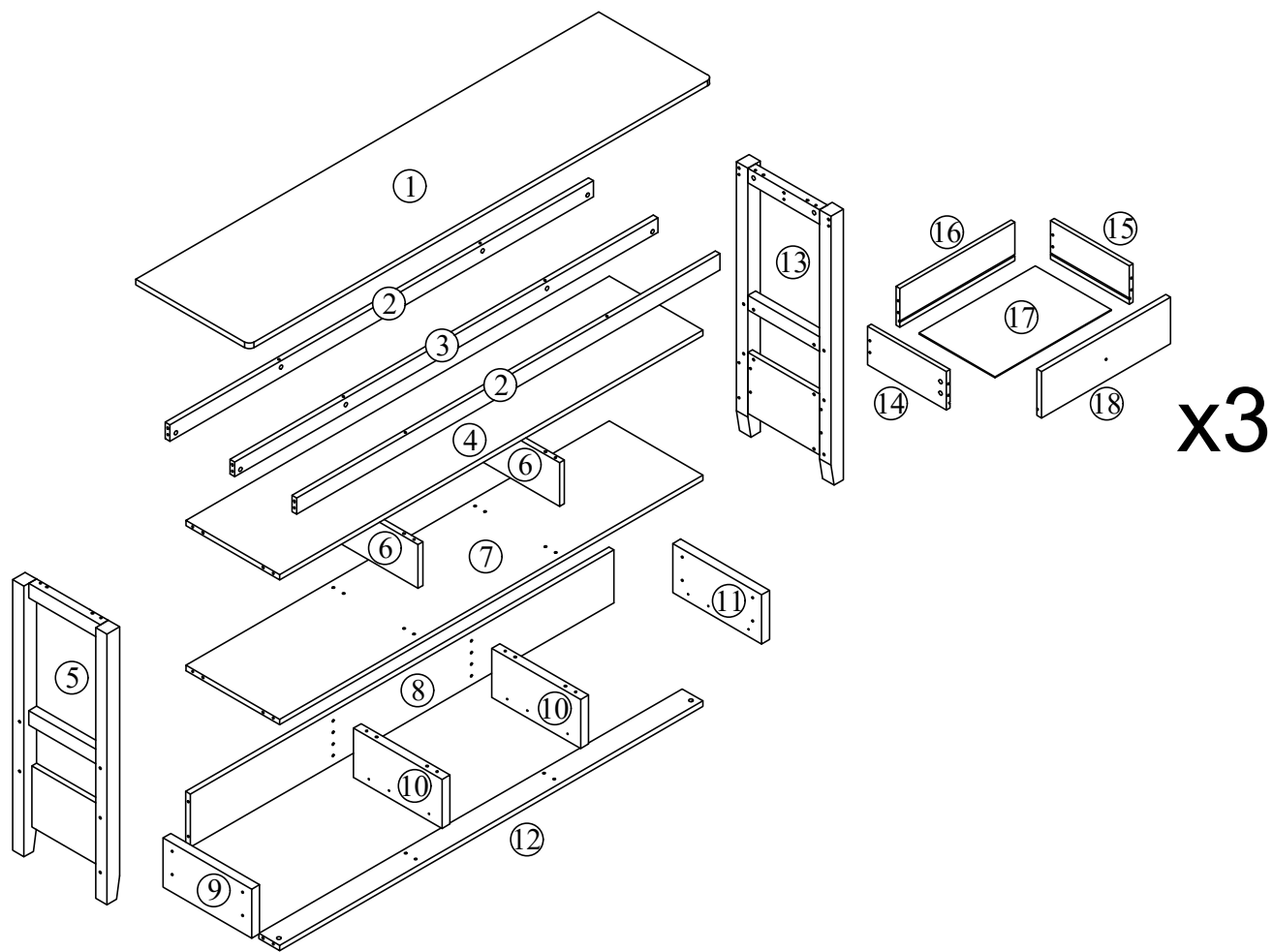


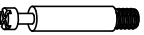



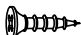













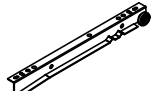
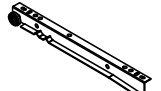


Assembly Instruction

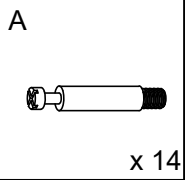
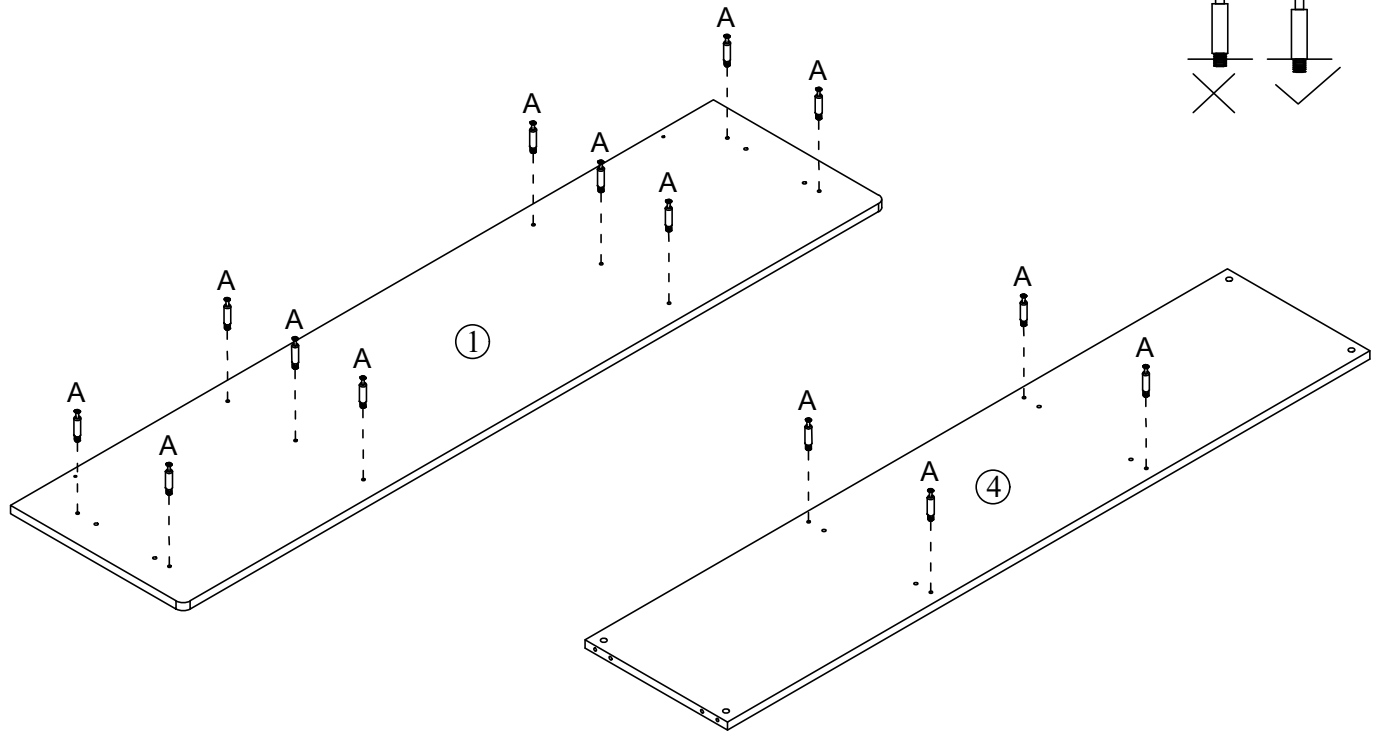


<p>1</p>  <p>1470x360x15 x1</p>	<p>2</p>  <p>1345x45x15 x2</p>	<p>3</p>  <p>1345x40x15 x1</p>	<p>4</p>  <p>1345x297x15 x1</p>
<p>5</p>  <p>745x300x36 x1</p>	<p>6</p>  <p>296x120x15 x2</p>	<p>7</p>  <p>1345x297x15 x1</p>	<p>8</p>  <p>1345x145x15 x1</p>
<p>9</p>  <p>281x135x25 x1</p>	<p>10</p>  <p>281x135x25 x2</p>	<p>11</p>  <p>281x135x25 x1</p>	<p>12</p>  <p>1345x65x15 x1</p>
<p>13</p>  <p>745x300x36 x1</p>	<p>14</p>  <p>250x105x12 x3</p>	<p>15</p>  <p>250x105x12 x3</p>	<p>16</p>  <p>366x105x12 x3</p>
<p>17</p>  <p>373x244 x3</p>	<p>18</p>  <p>409x127x15 x3</p>		

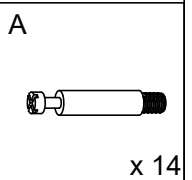
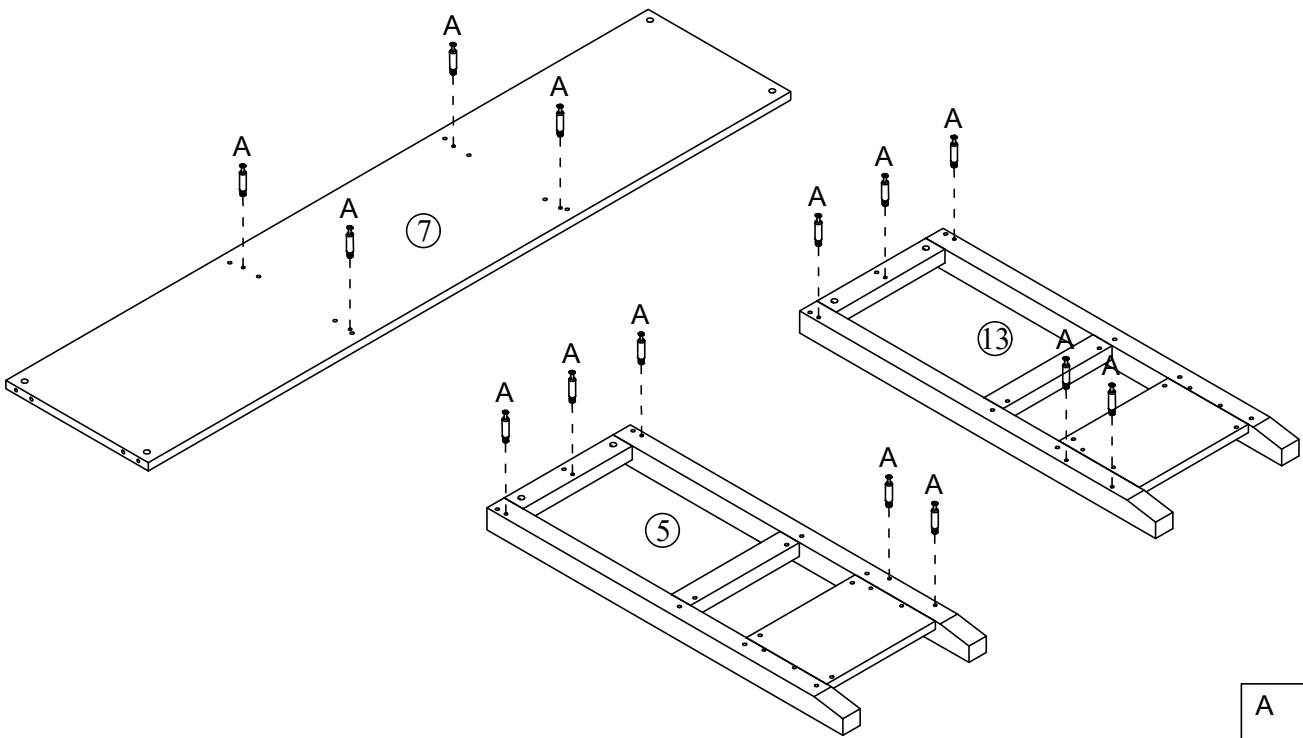


A	x 40+2	B	x 40+2	C	x 38+2	D	x 12+1	E	x 36+2
									
Φ6X35mm		Φ15X10mm		Φ6X30mm		Φ4X35mm		Φ3X12mm	
F	x 10+1	G	x 10	H	x 3	I	x 3	J	x 8
									
Φ5X30mm						Φ4X20mm		Φ4X30mm	
K	x 10	L	x 4	M	x 10	N	x 1	O	x 2
									
Φ6X70mm								Φ4X12mm	
P	x 2	CL	x 3	CR	x 3	DL	x 3	DR	x 3
									
Φ4X45mm		L250		L250		L250		L250	

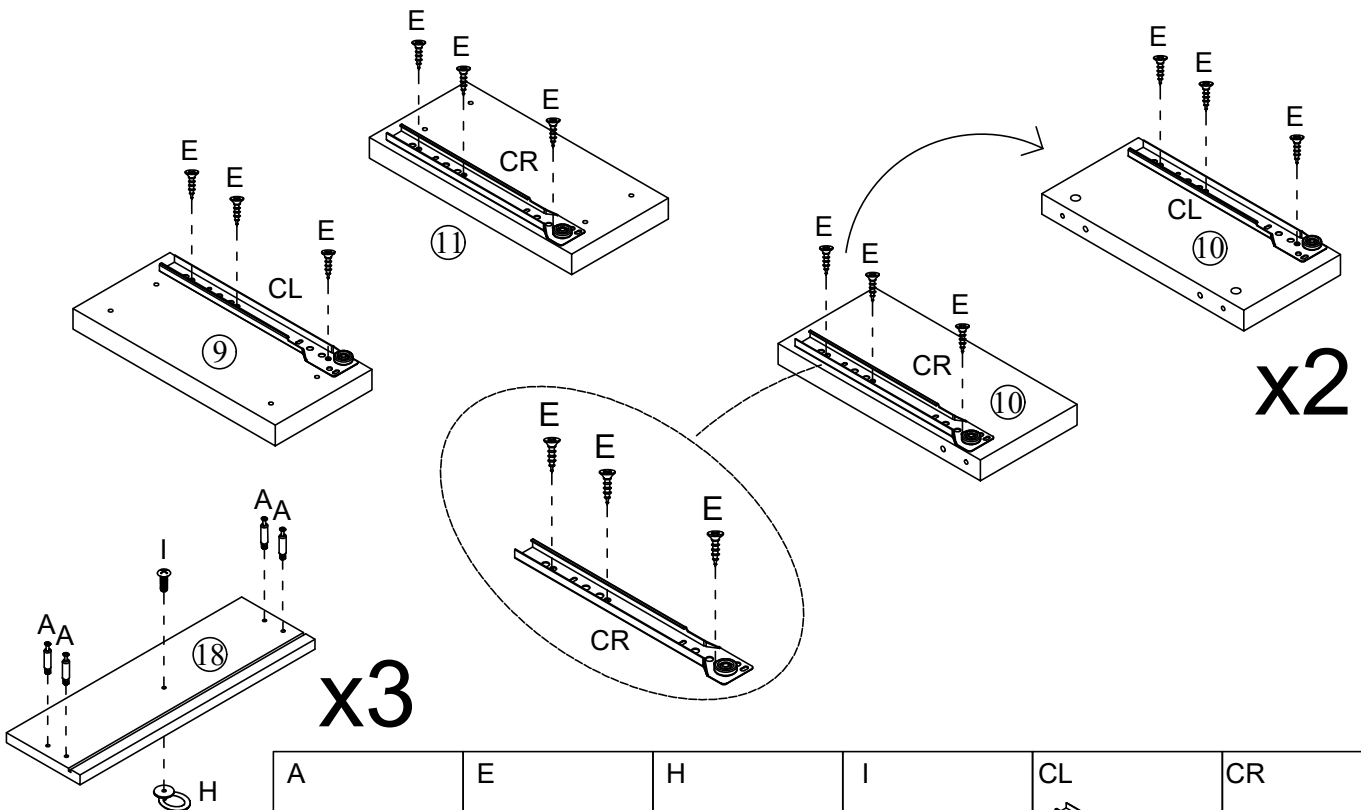
1



2

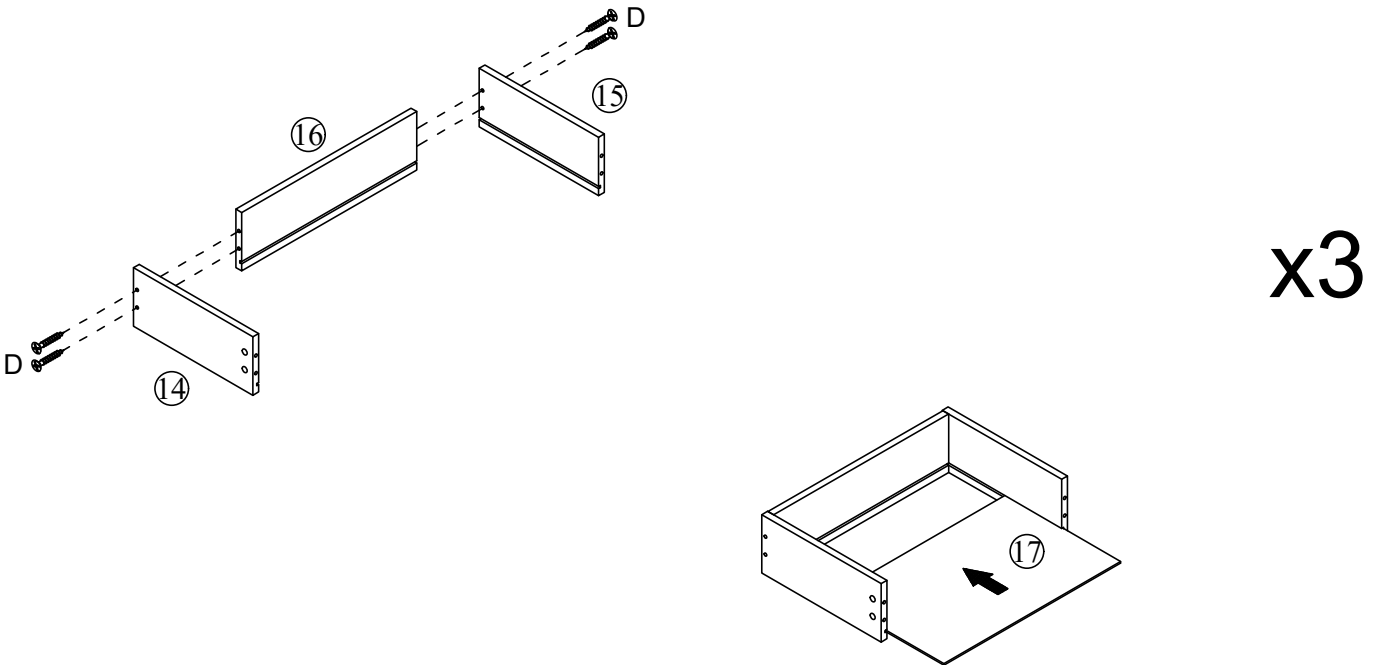


3



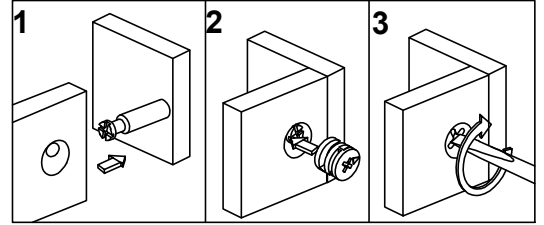
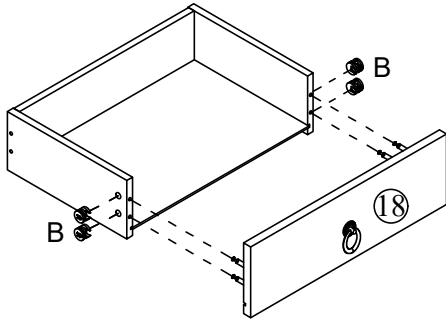
<p>A</p> <p>x 12</p>	<p>E</p> <p>x 18</p>	<p>H</p> <p>x 3</p>	<p>I</p> <p>x 3</p>	<p>CL</p> <p>x 3</p>	<p>CR</p> <p>x 3</p>
----------------------	----------------------	---------------------	---------------------	----------------------	----------------------

4

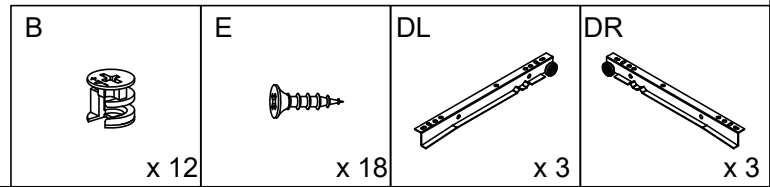
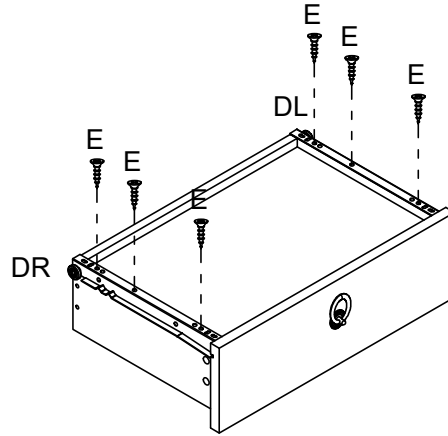


<p>D</p> <p>x 12</p>

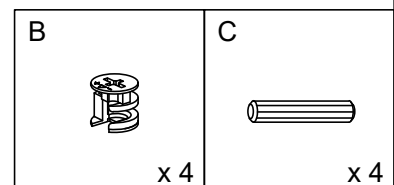
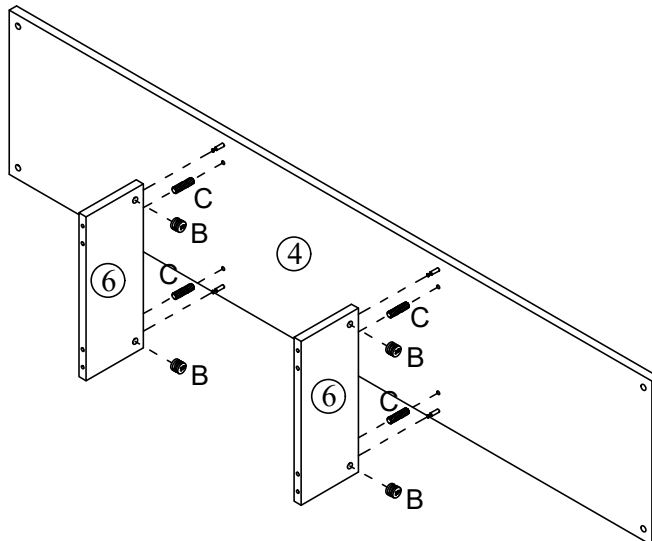
5



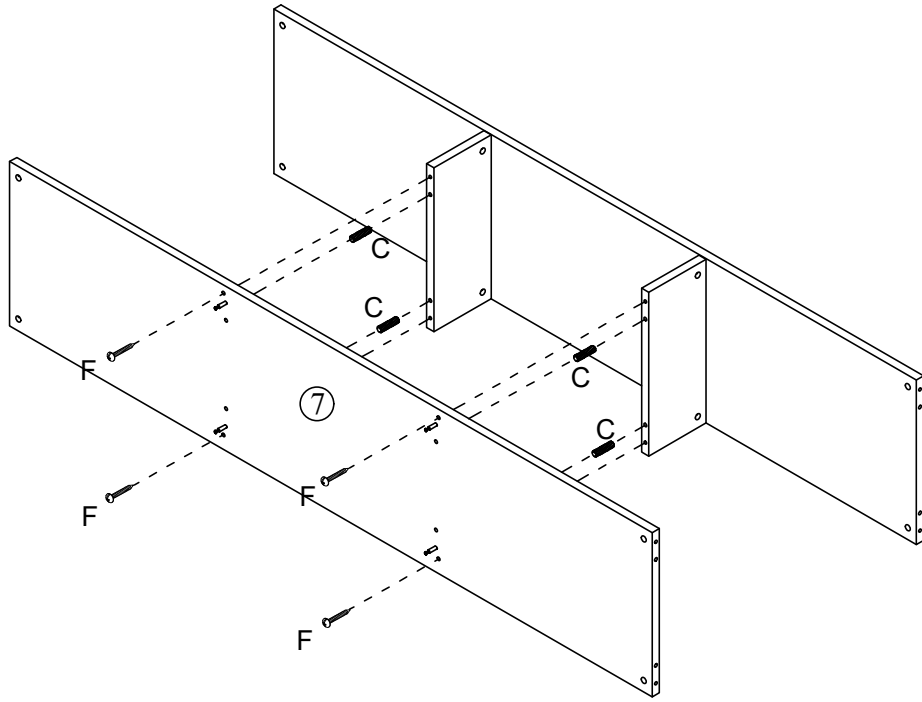
x3





6

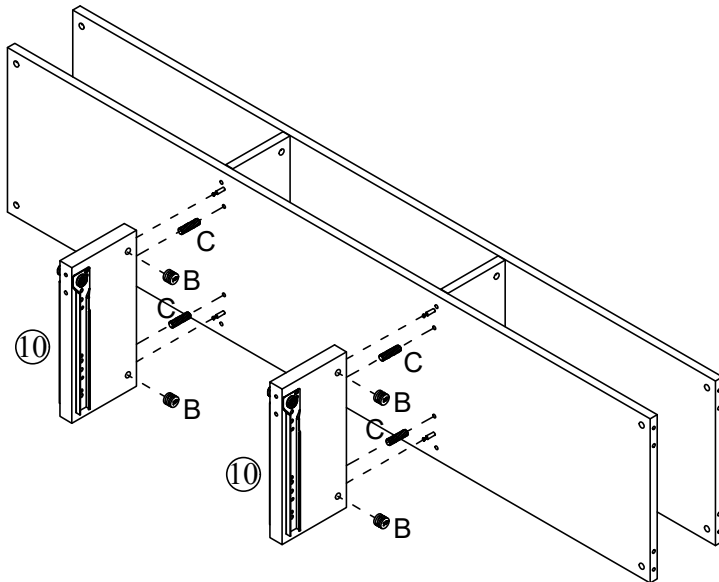



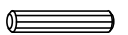
7



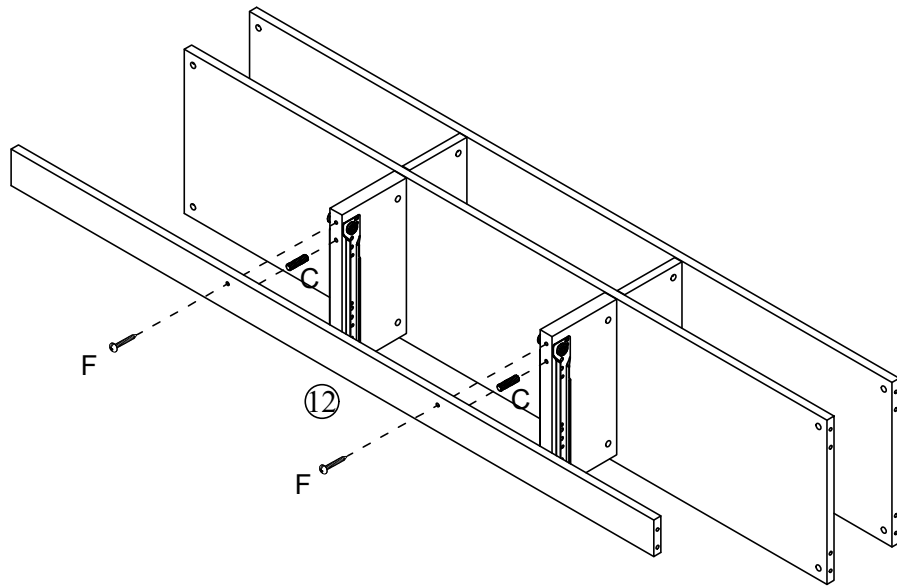
C	F
	
x 4	x 4

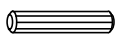

8



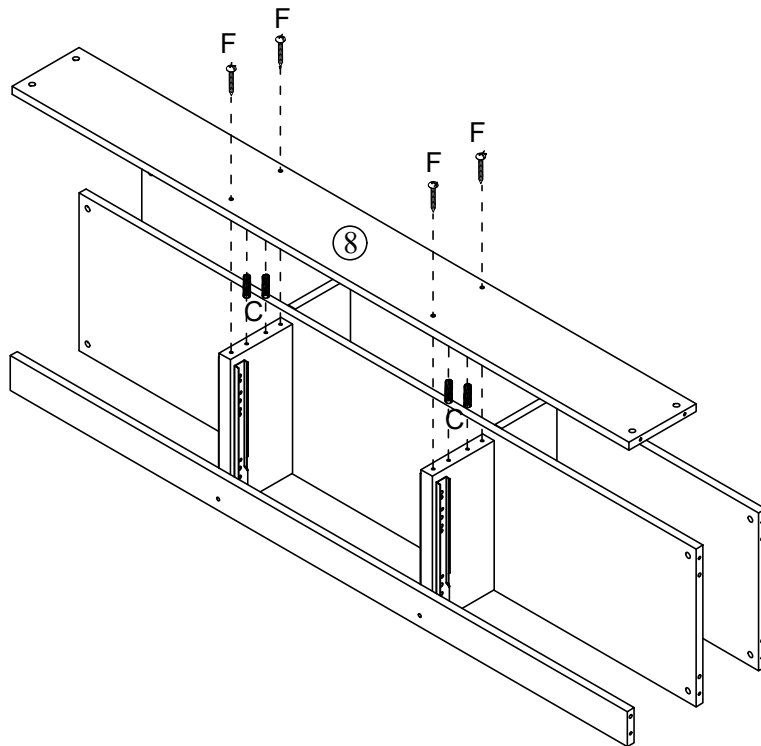
B	C
	
x 4	x 4

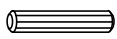

9



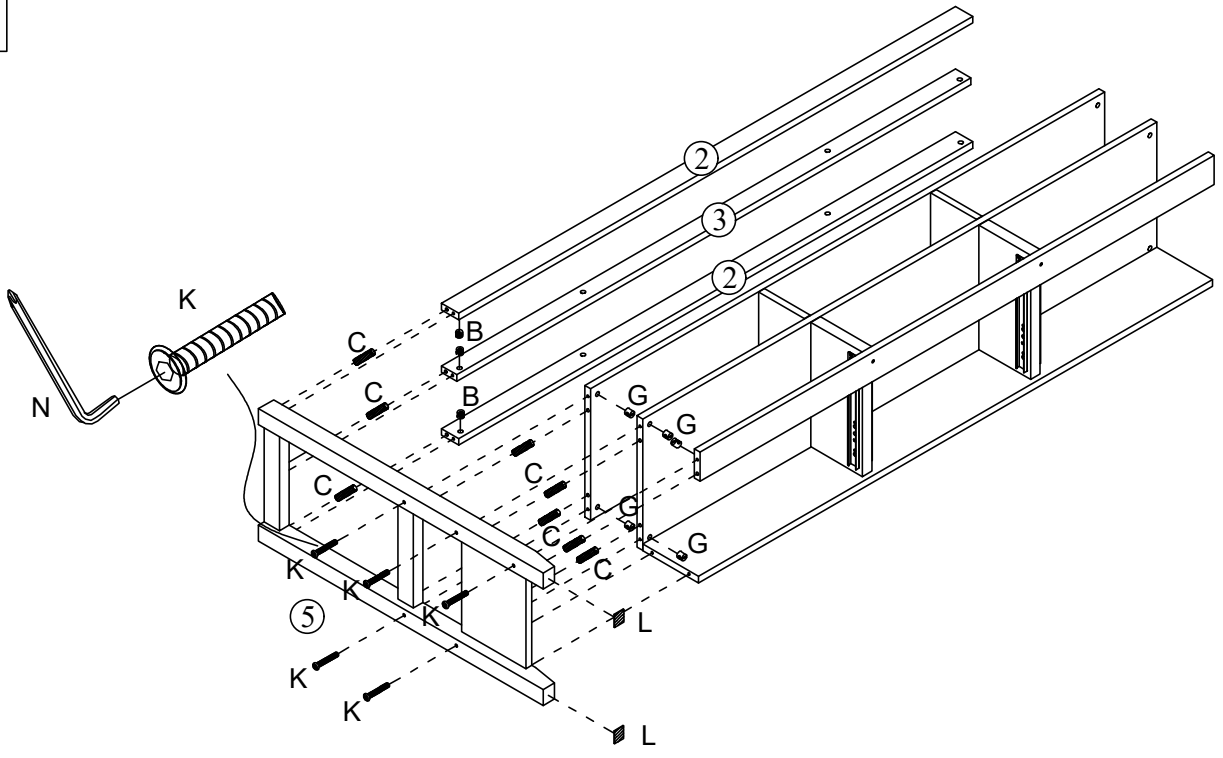
C	F
	
x 2	x 2


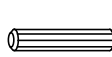




10



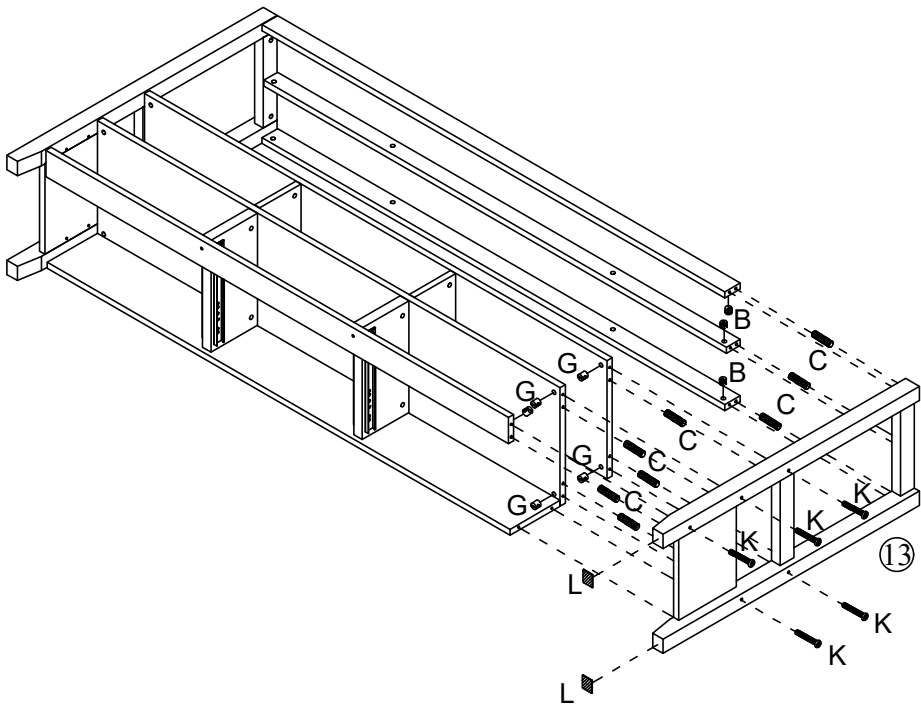
C	F
	
x 4	x 4


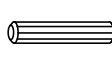



11



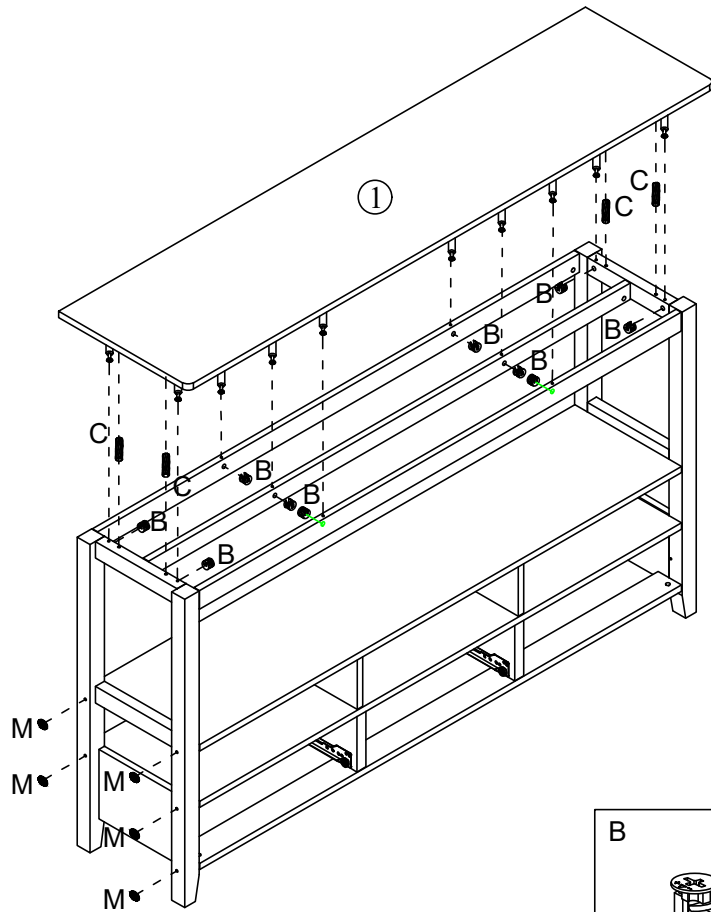
<p>B</p>  <p>x 3</p>	<p>C</p>  <p>x 8</p>	<p>G</p>  <p>x 5</p>	<p>K</p>  <p>x 5</p>	<p>L</p>  <p>x 2</p>	<p>N</p>  <p>x 1</p>
--	--	--	--	--	--


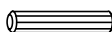

12



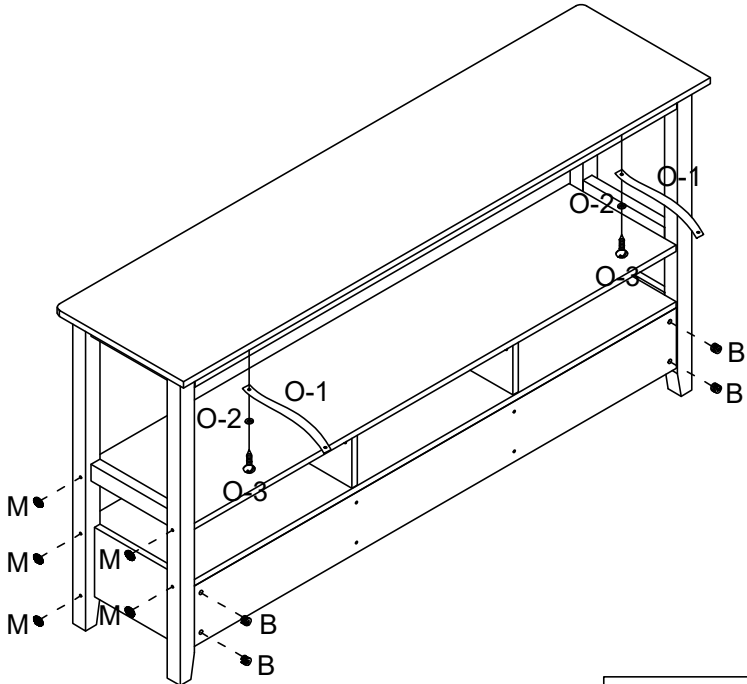
<p>B</p>  <p>x 3</p>	<p>C</p>  <p>x 8</p>	<p>G</p>  <p>x 5</p>	<p>K</p>  <p>x 5</p>	<p>L</p>  <p>x 2</p>
---	---	---	---	---





13



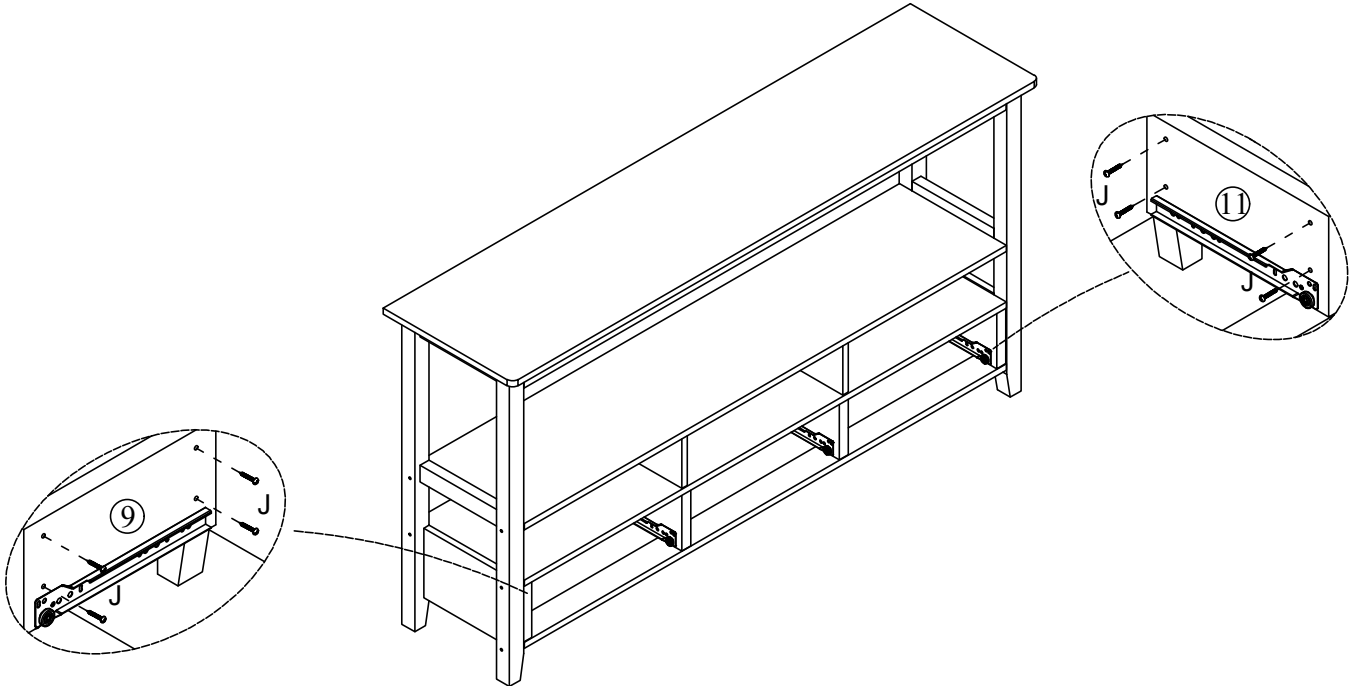
<p>B</p>  <p>x 10</p>	<p>C</p>  <p>x 4</p>	<p>M</p>  <p>x 5</p>
---	---	--

14




<p>B</p>  <p>x 4</p>	<p>M</p>  <p>x 5</p>	<p>O</p> <p>O-1 O-2 O-3</p>    <p>x 2</p>
---	---	--

15

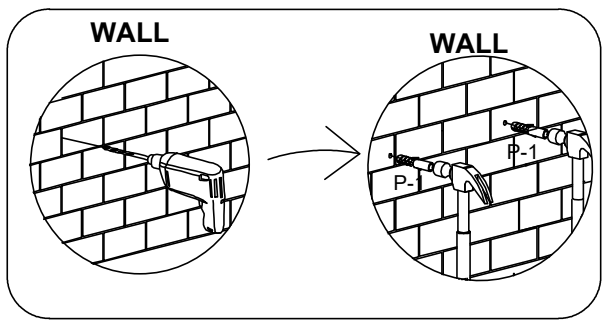
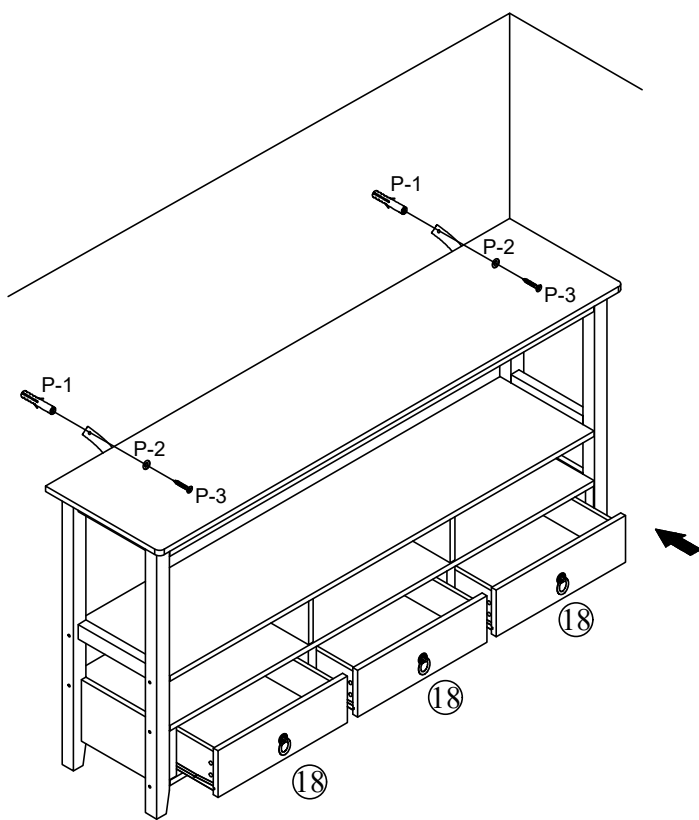


J




x 8

16



P

P-1 P-2 P-3



x 2