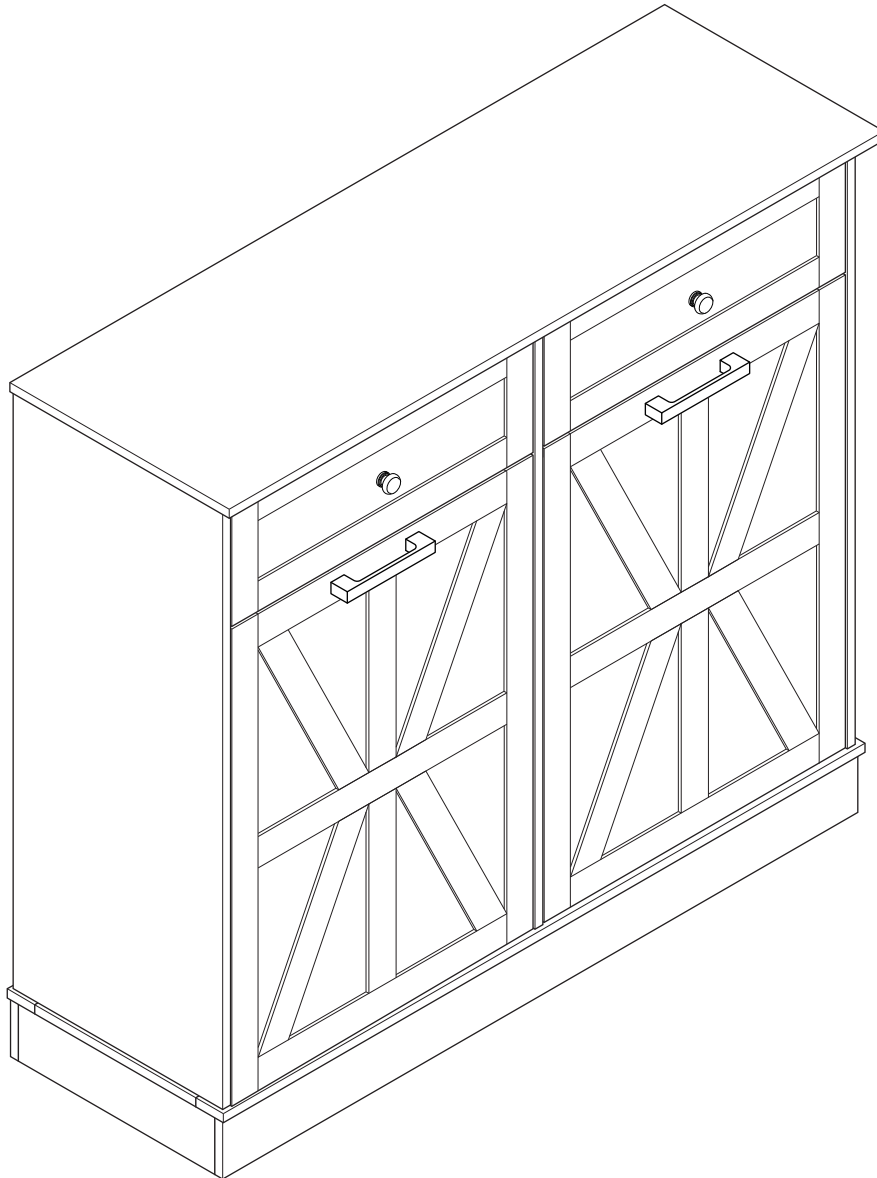

J3L220GR01 / J3L220BS01

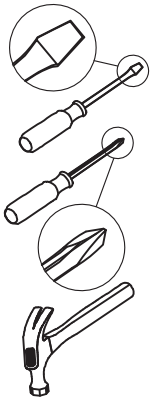


As this item contains many parts, please read the installation instruction carefully before installation and complete the installation with the cooperation of your partner. Please use tools properly and carefully. If you have any questions about the product and installation, please contact us.

hosoteservice@gmail.com

Our professional after-sales team will serve you online all day.

Before You Start



- ✓ Read through each step carefully and follow the proper order
- ✓ Separate and count all your parts and hardware
- ✓ Give yourself enough room for the assembly process
- ✓ Have the following tools: Flat Head Screwdriver, #2 Phillips Head Screwdriver and Hammer
- ✓ Caution: If using a power drill or power screwdriver for screwing, please be aware of to slow down and stop when screw is tight. Failure to do so may result in stripping the screw.

Helpful Hints

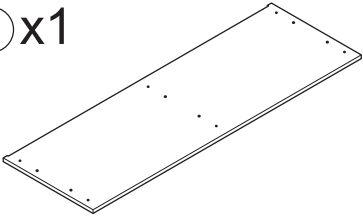
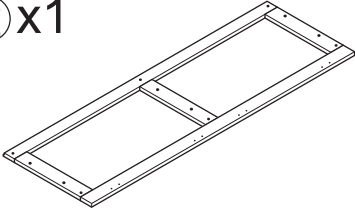
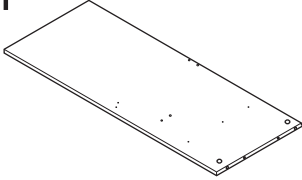
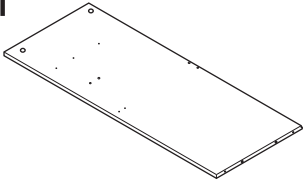
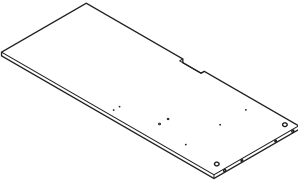
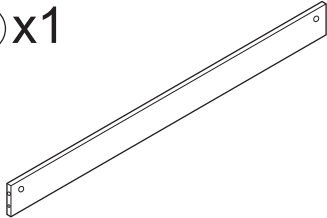
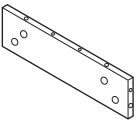
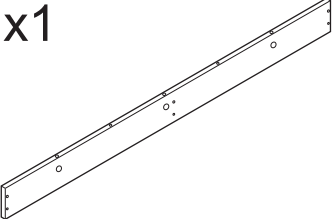
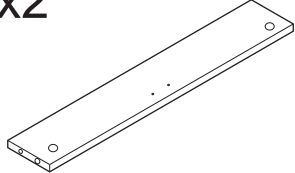
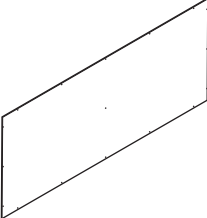
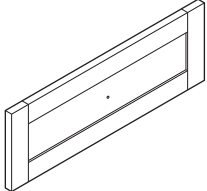
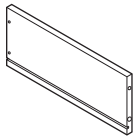
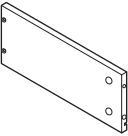
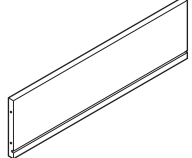
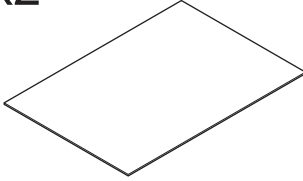
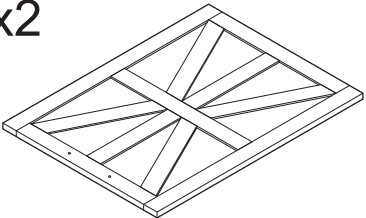
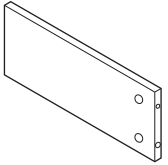
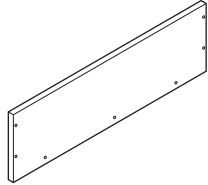
PEOPLE NEEDED FOR ASSEMBLY: 1-2

- Open your item in the area you plan to keep it to avoid excessive heavy lifting.
- Identify, sort and count the parts before attempting assembly.
- Compression dowels are lightly tapped in with a hammer.
- Slides are labeled with an **R** (right) and **L** (left) for proper placement.
- Make sure to always face the point on the top of the Cam Lock towards the outer edge.
- Use all the nails provided for the back panel and spread them out equally.
- Back panel must be used to make sure your unit is sturdy.
- Do NOT use harsh chemicals or abrasive cleaners on this item.
- Never push, pull, or drag your furniture.



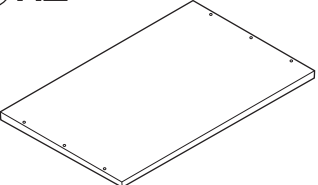
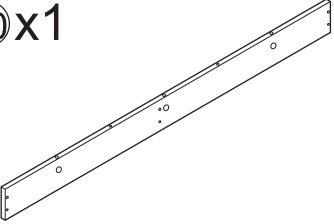
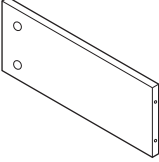
Board Identification

Not actual size

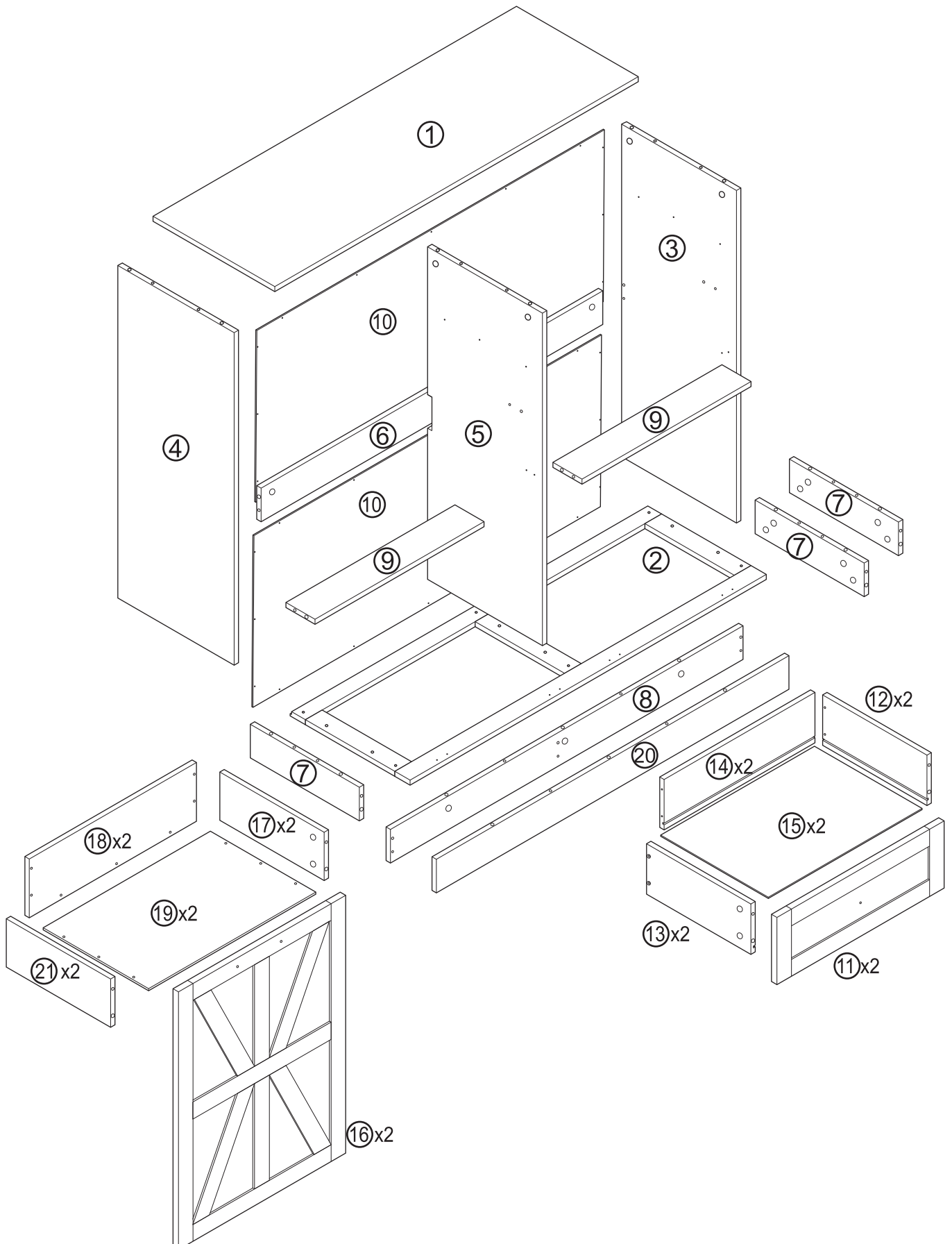
① x1 	② x1 	③ x1 
④ x1 	⑤ x1 	⑥ x1 
⑦ x3 	⑧ x1 	⑨ x2 
⑩ x2 	⑪ x2 	⑫ x2 
⑬ x2 	⑭ x2 	⑮ x2 
⑯ x2 	⑰ x2 	⑱ x2 

Board Identification

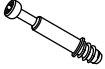



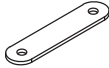

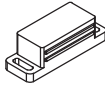


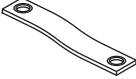
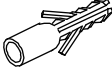

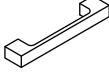
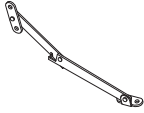
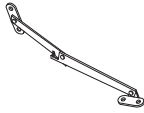



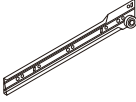
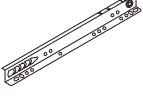
Not actual size

<p>①9x2</p> 	<p>②0x1</p> 	<p>③1x2</p> 

Board Identification



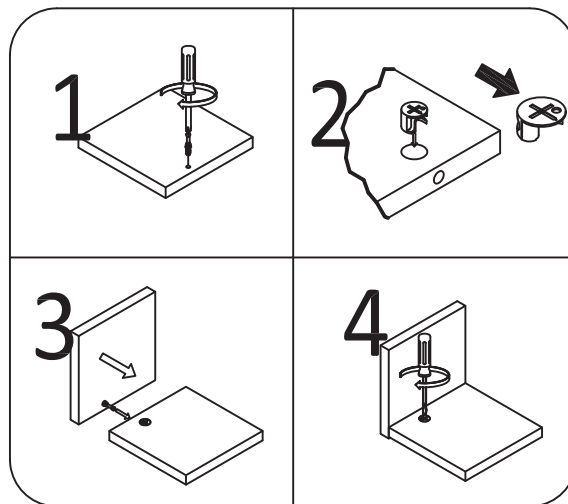
Part List

 Ø6x35mm A x46(+3)	 Ø15x10mm B x46(+3)	 Ø6x30mm C x34(+3)	 Ø4x35mm D x24(+2)	 Ø3x12mm E x64(+3)
Cam Bolt  F x4	Cam Lock  G x2	Dowel  Ø3x14mm H x4	Flat Head Tapping Screw  I x2	Sliding Track Screw  J x4
Hinge  K x32(+3)	Magnetic magnet  L x2	Flat head screw  M x2	Magnetic clip and screw  N x2	 O x2
 P x2	 Q x2	 Ø4x25mm R x18(+2)	 Ø4x14mm S x2	 T x4
 U x2	 CL x2	 CR x2	 DL x2	 DR x2

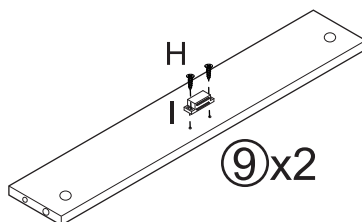
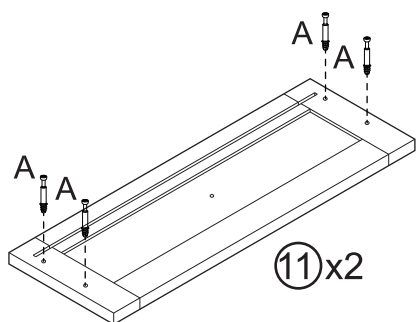
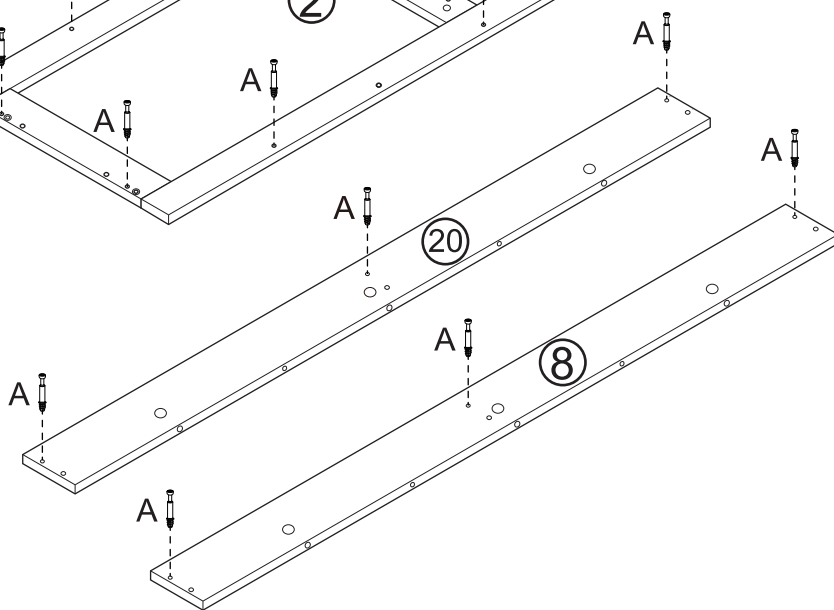
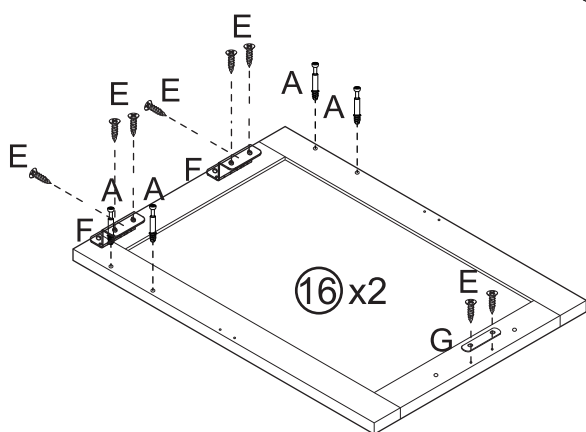
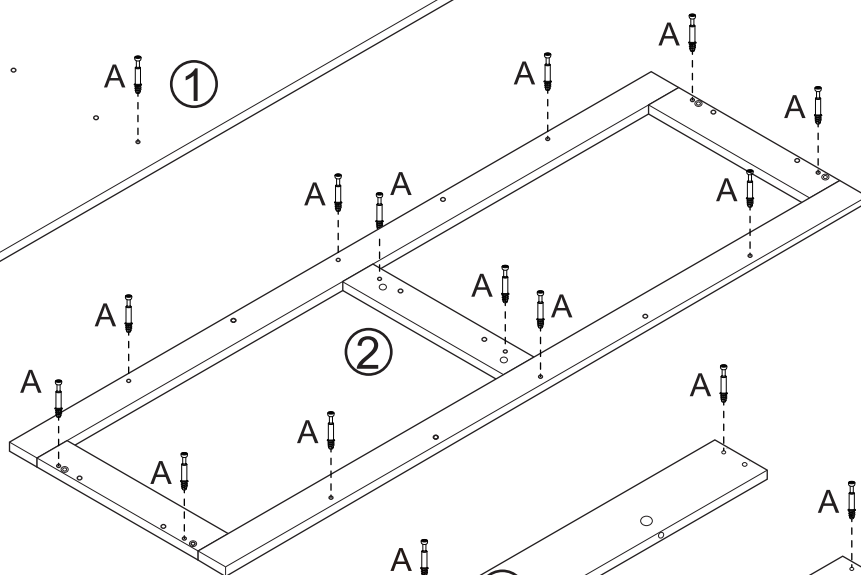
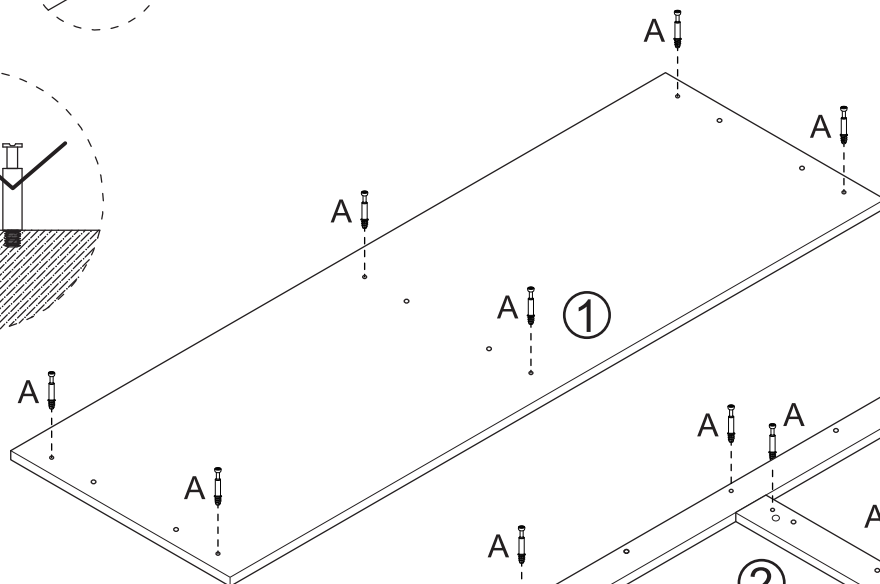
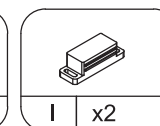
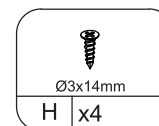
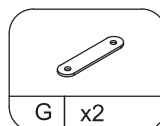
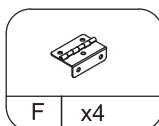
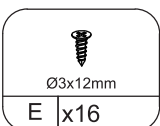
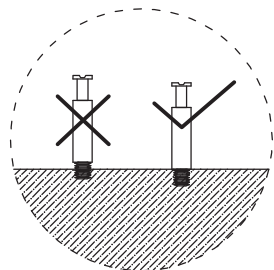
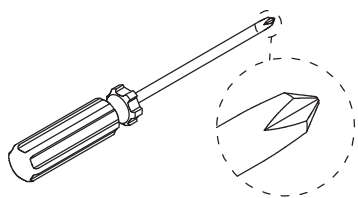
Part List

Cam Lock Fastening System

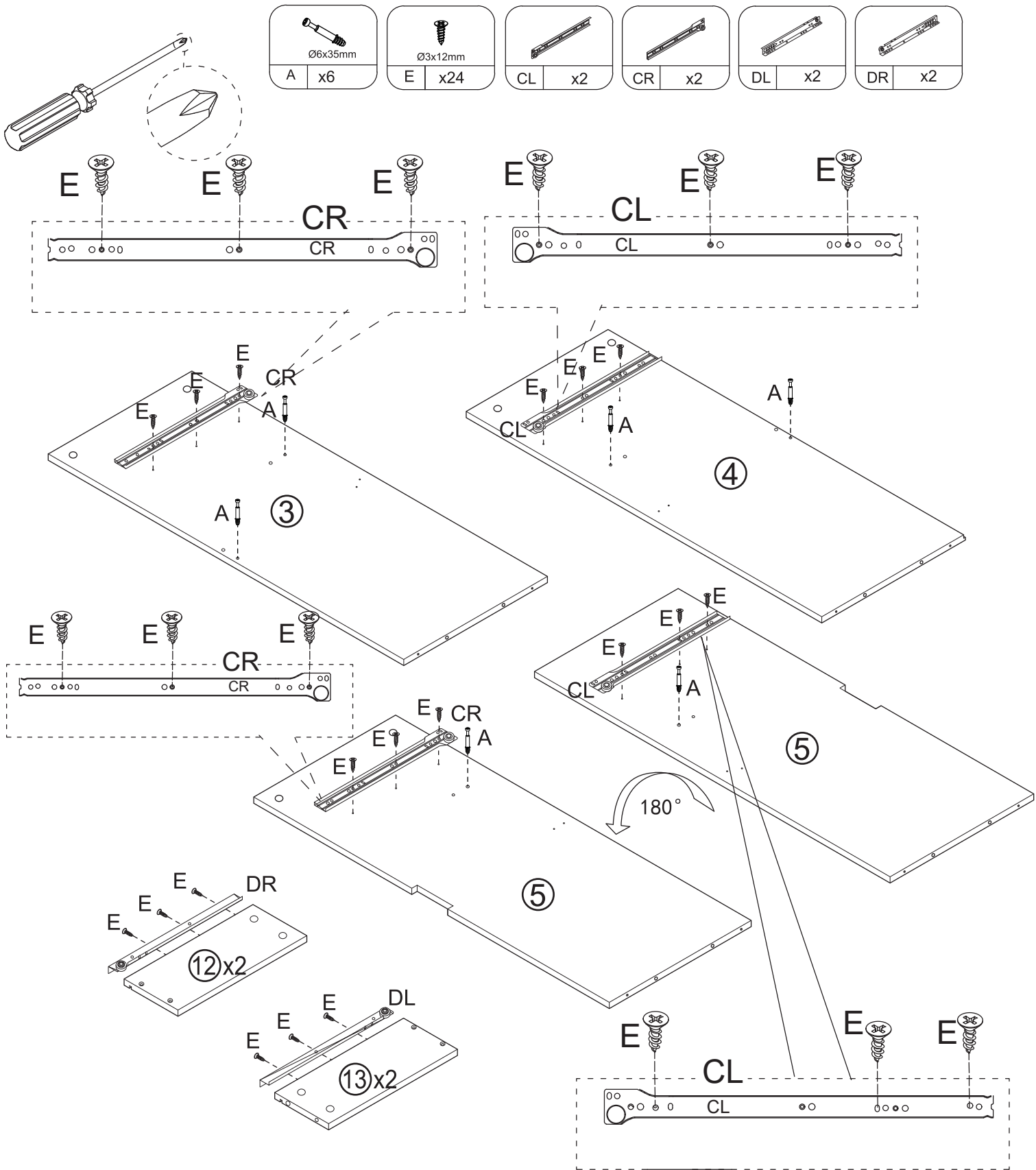
This Cam Lock Fastening System will be used throughout the assembly process.



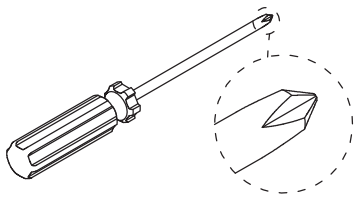
STEP 1





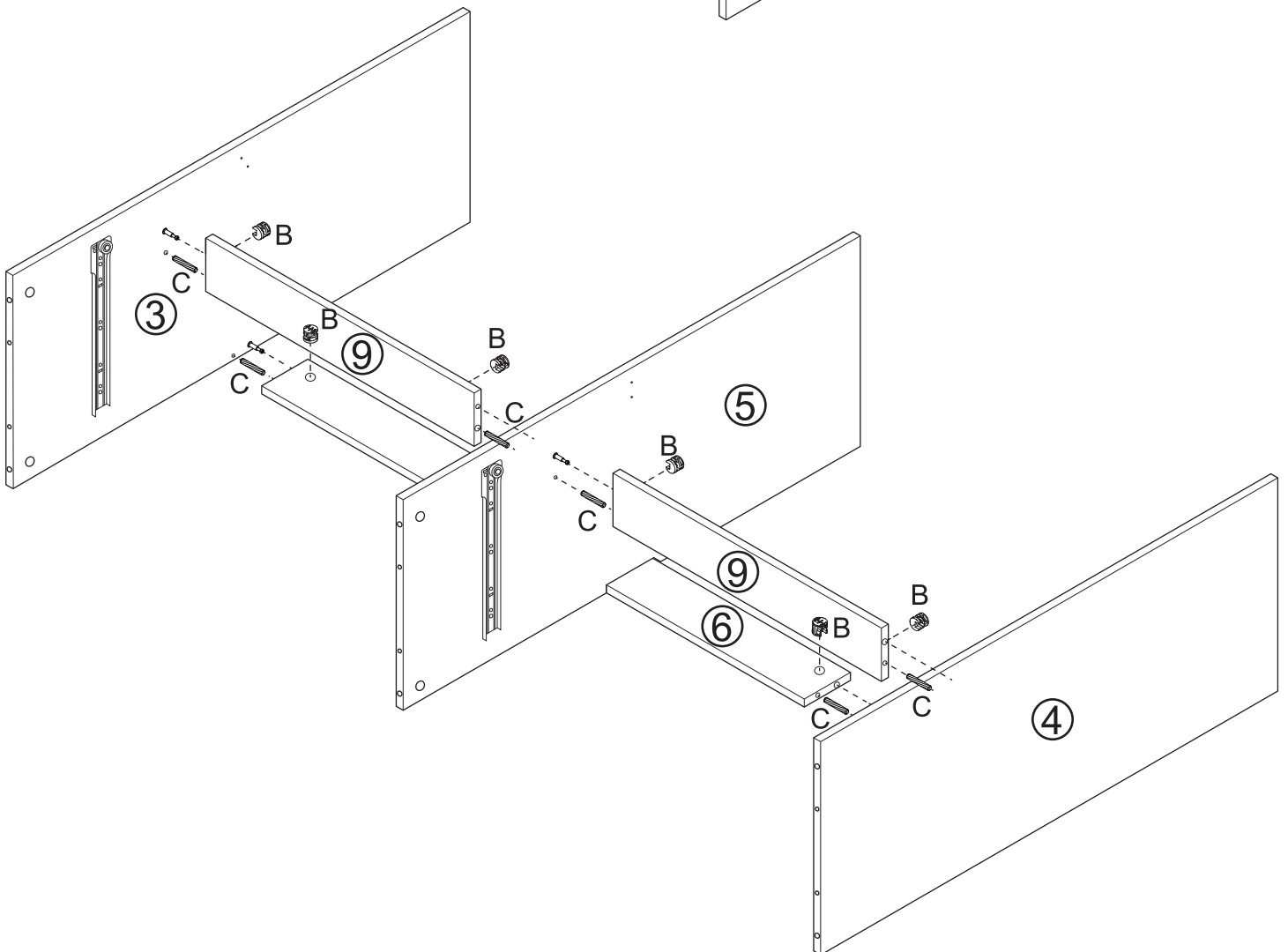
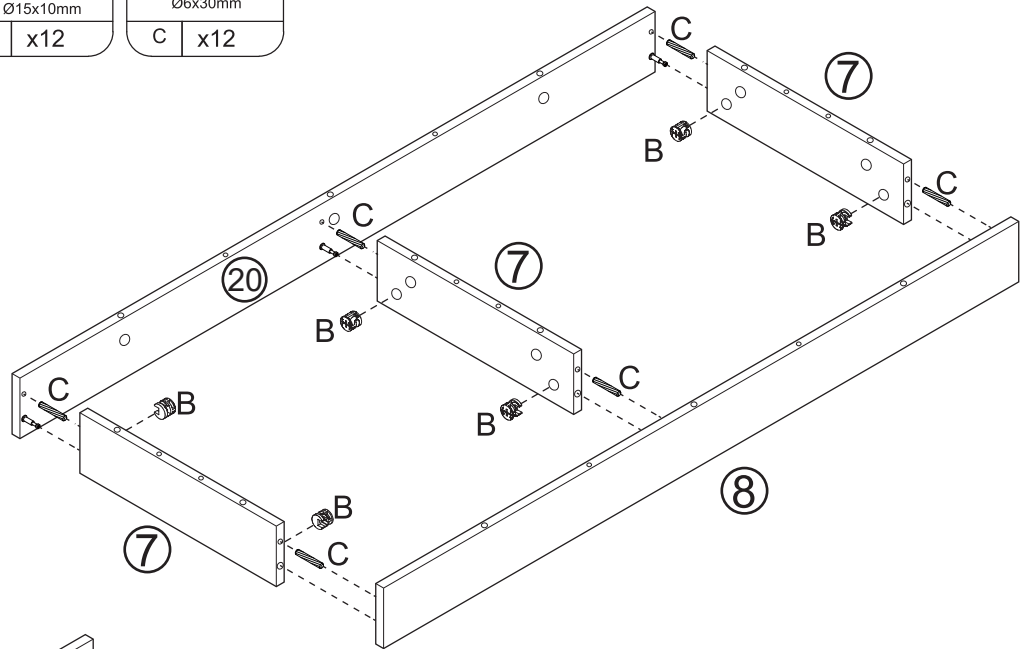
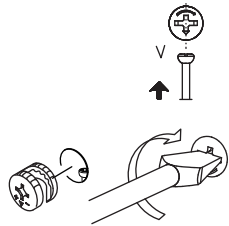
STEP 2



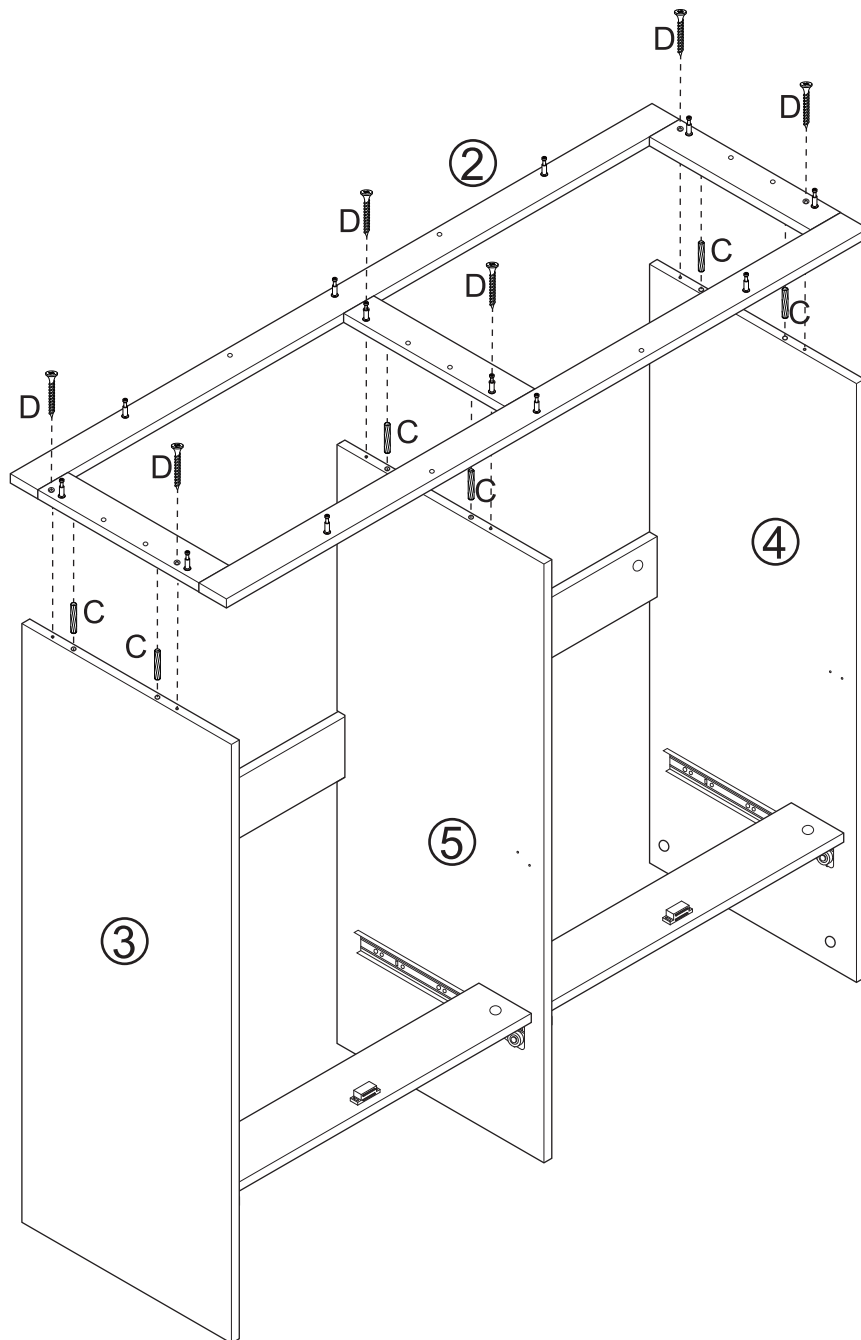
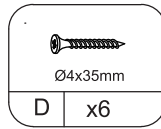
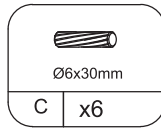
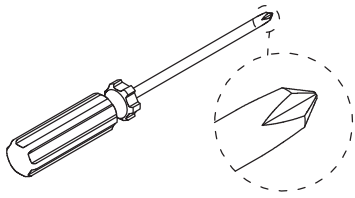
STEP 3



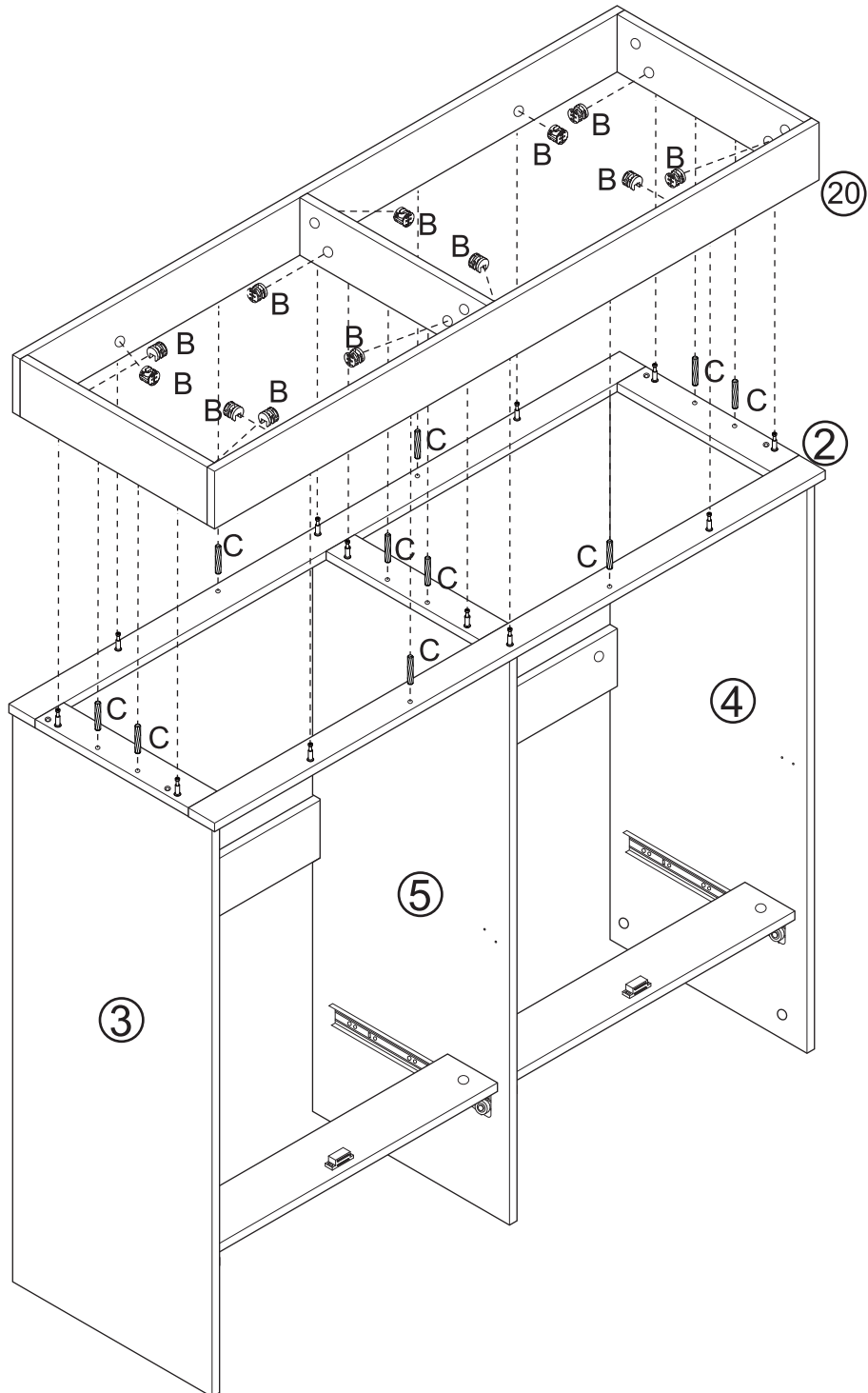
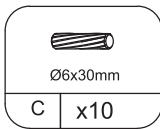
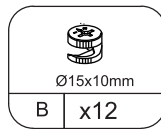
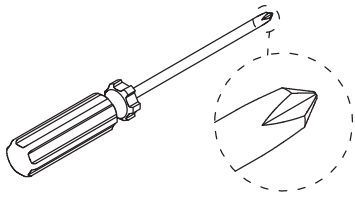
	
Ø15x10mm	Ø6x30mm
B x12	C x12



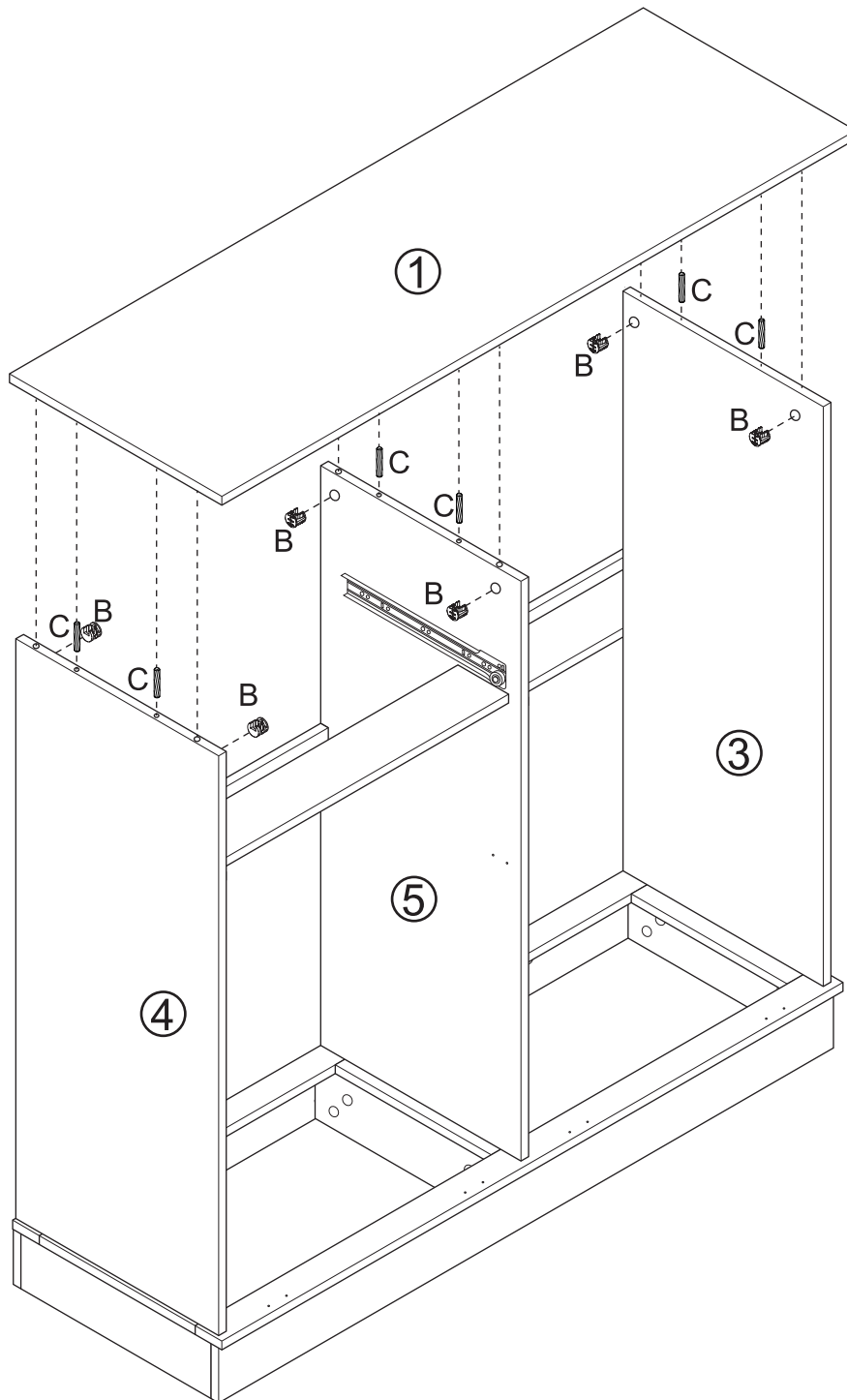
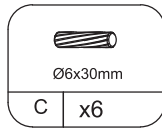
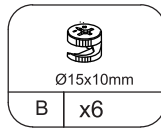
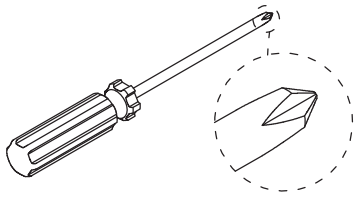
STEP 4



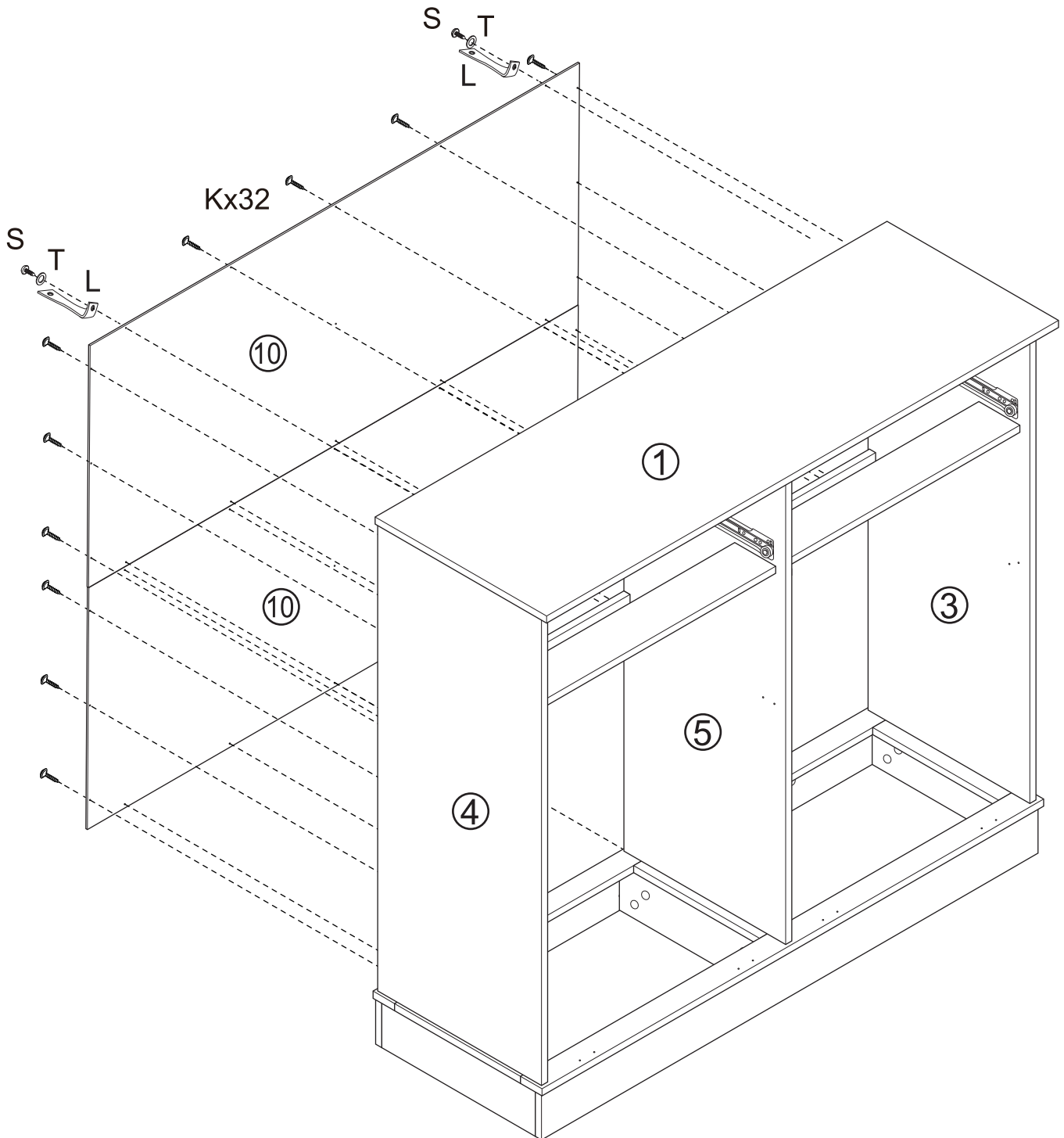
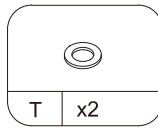
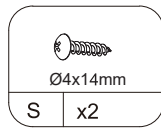
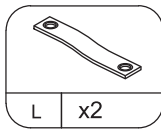
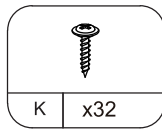
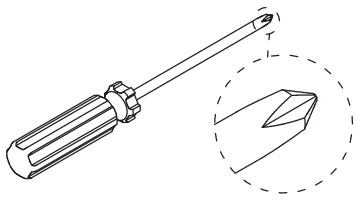
STEP 5



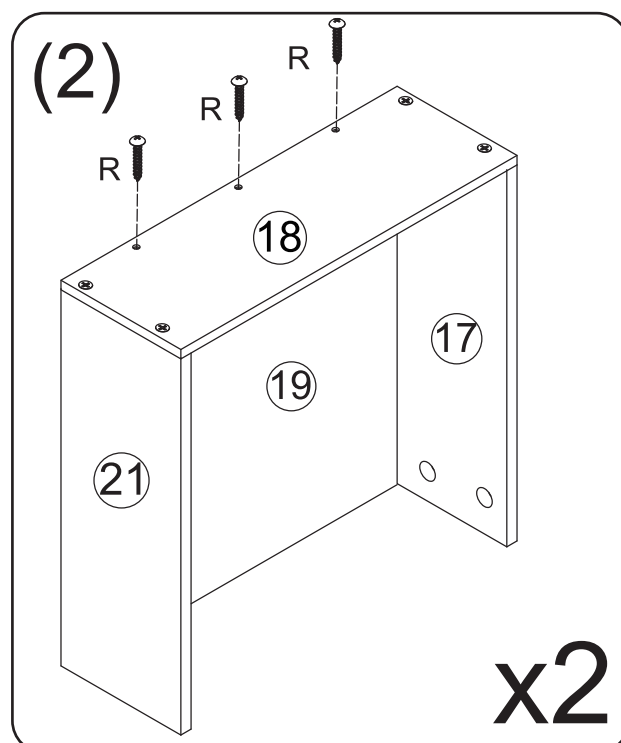
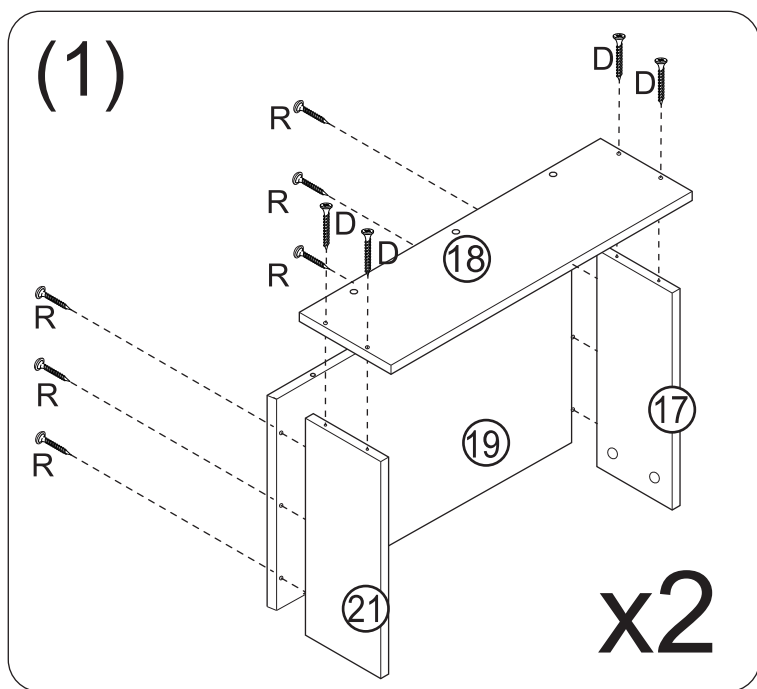
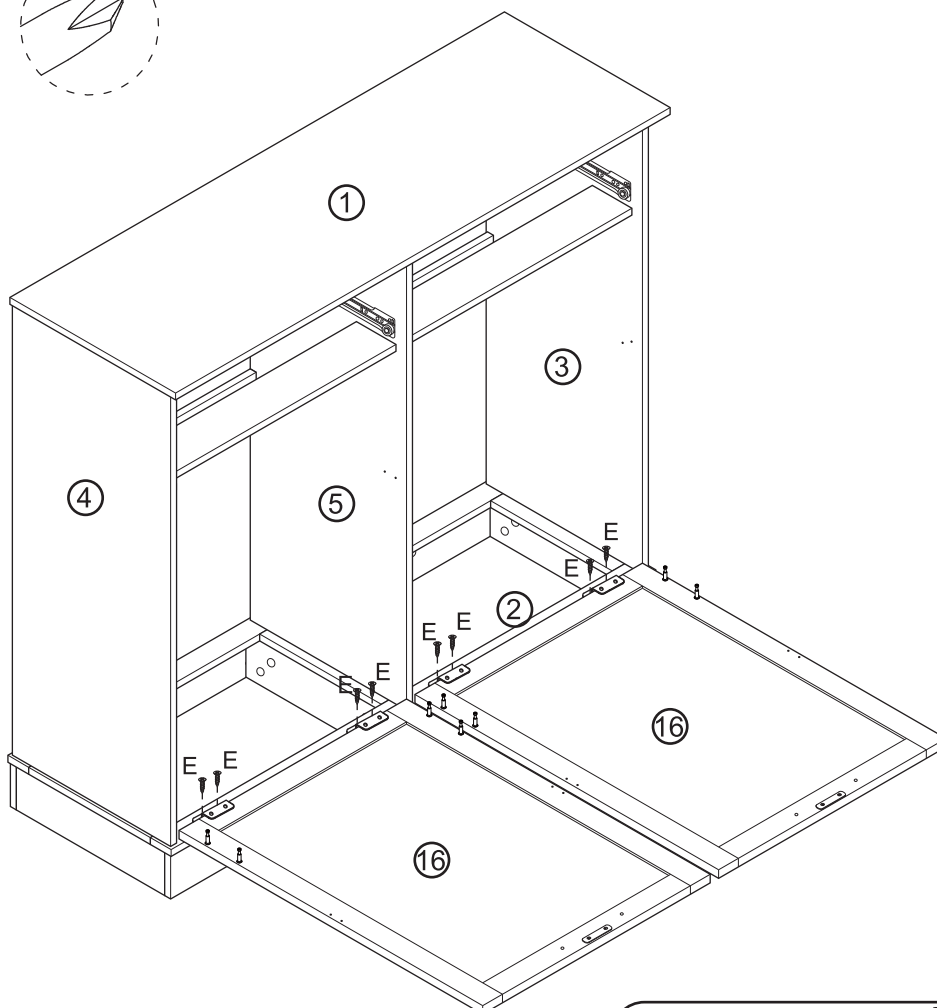
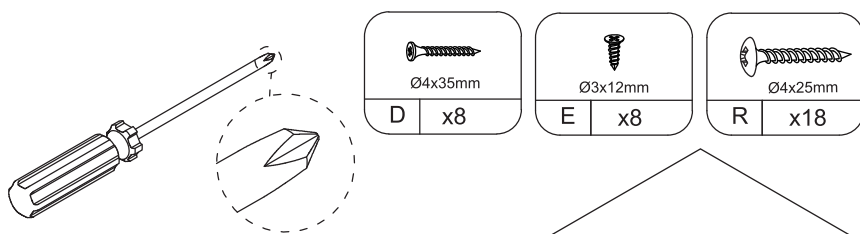
STEP 6



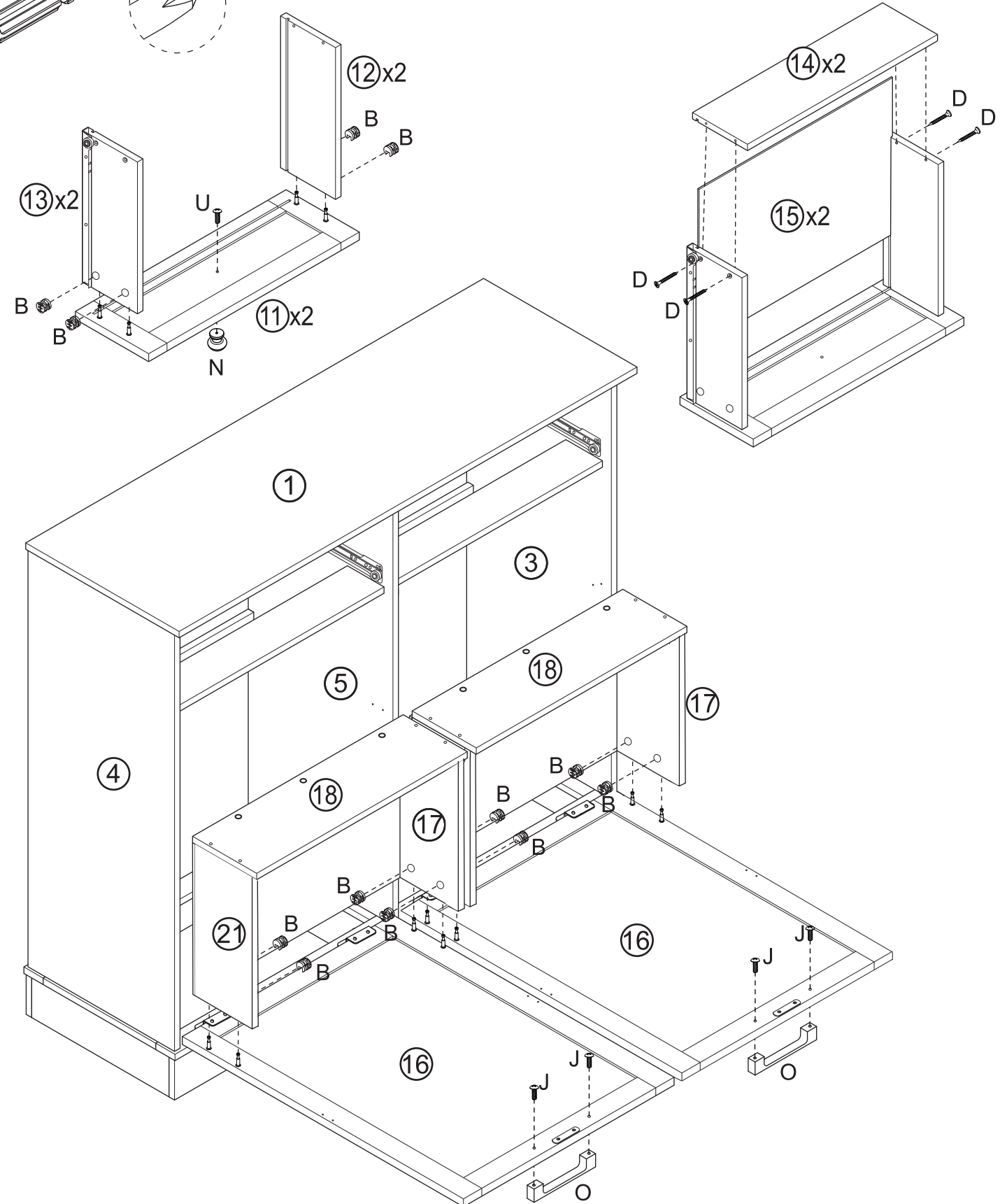
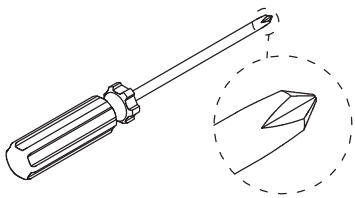
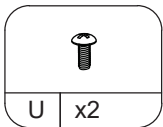
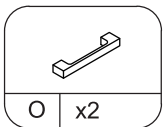
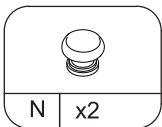
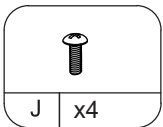
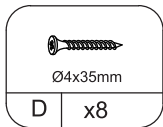
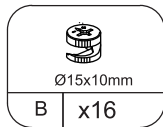
STEP 7



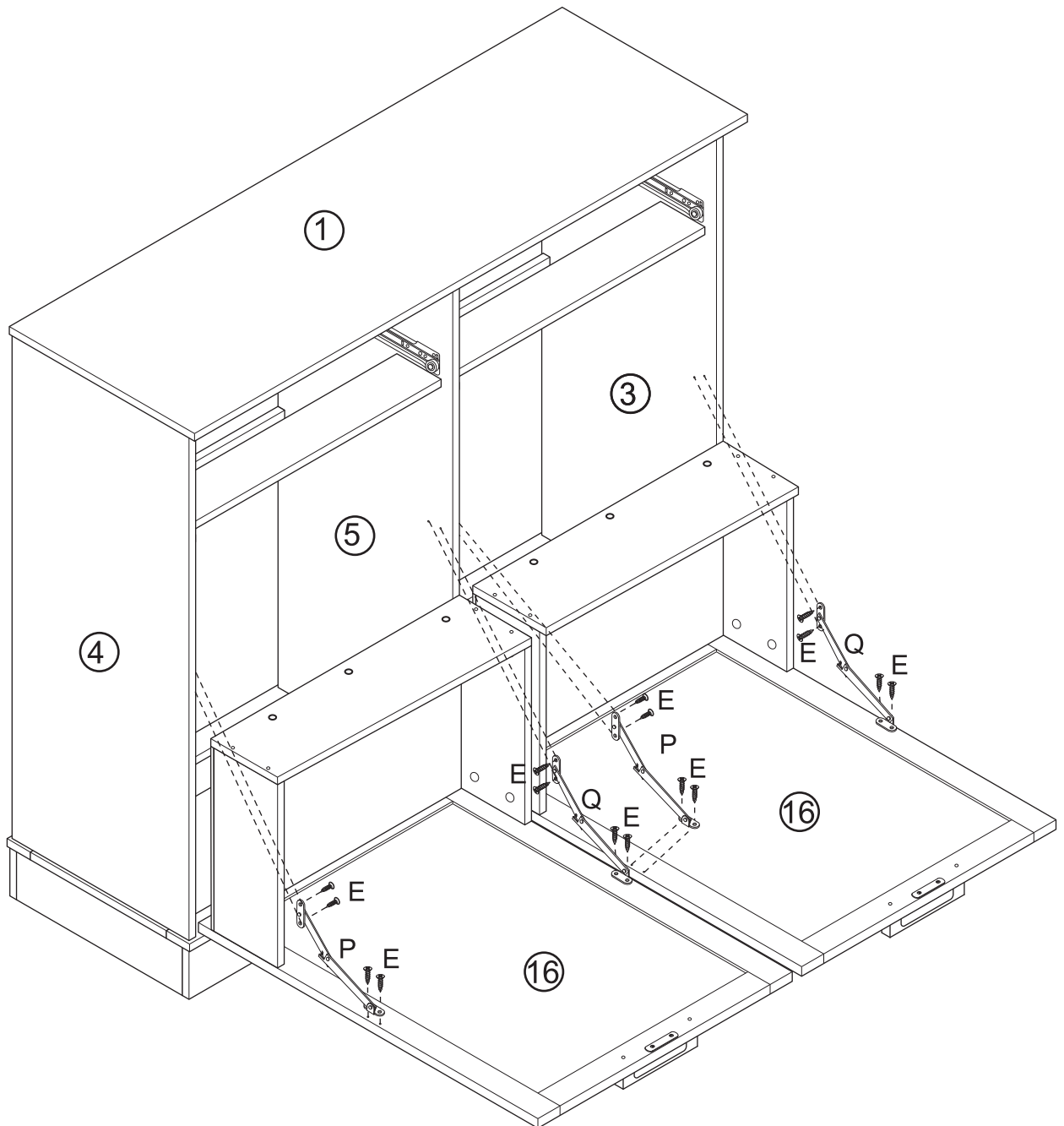
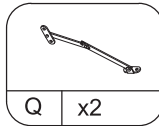
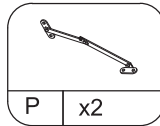
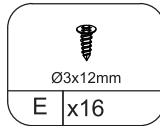
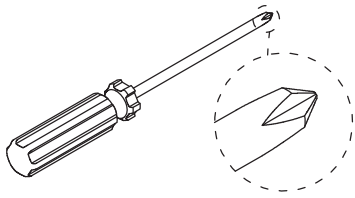
STEP 8



STEP 9

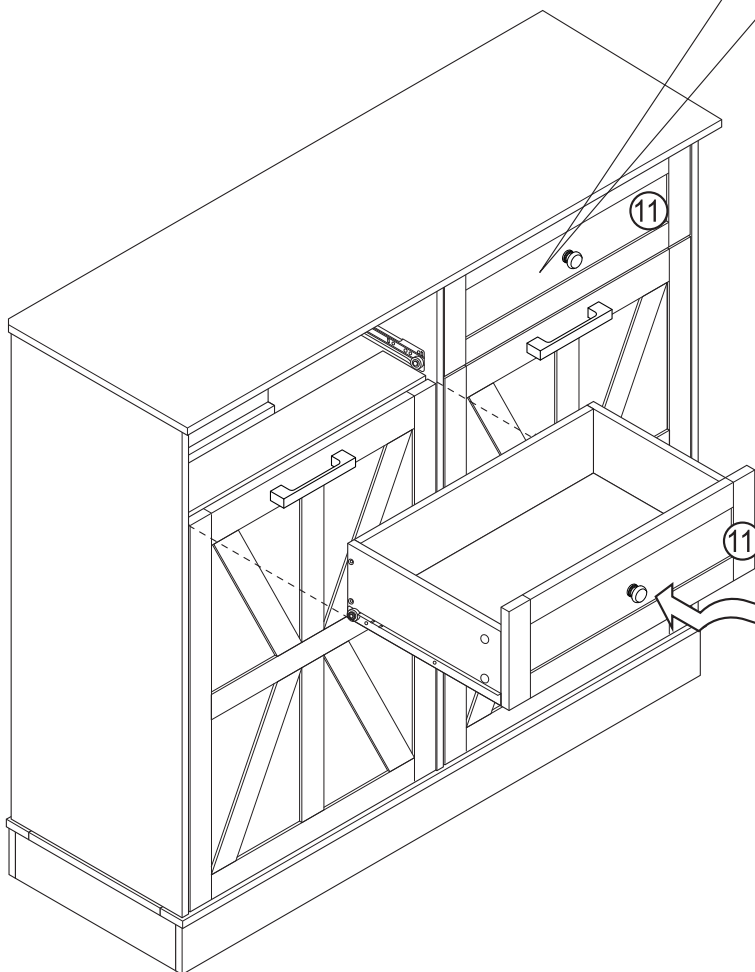
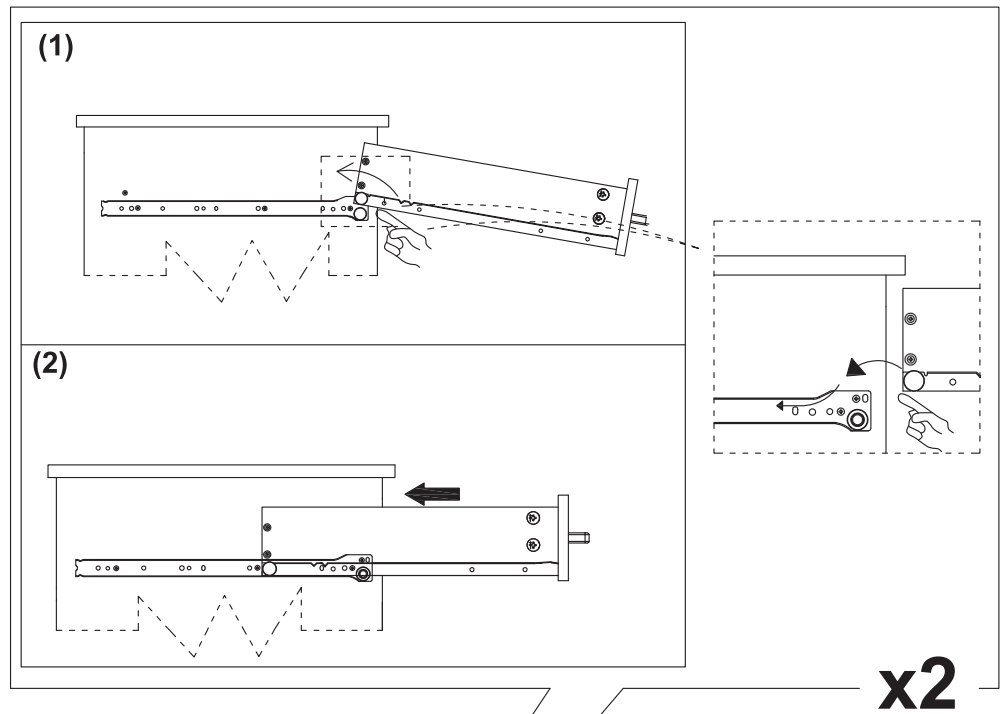


STEP 10



Flip up the door panel and raise your hand at the position indicated by the dashed line

STEP 11



STEP 12

