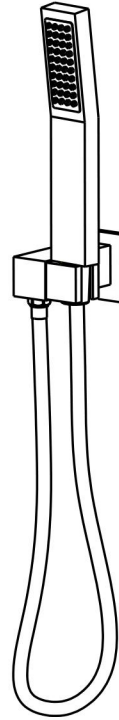
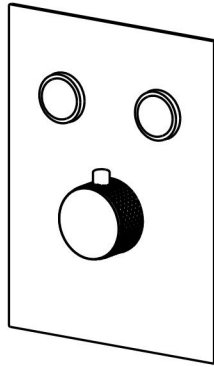
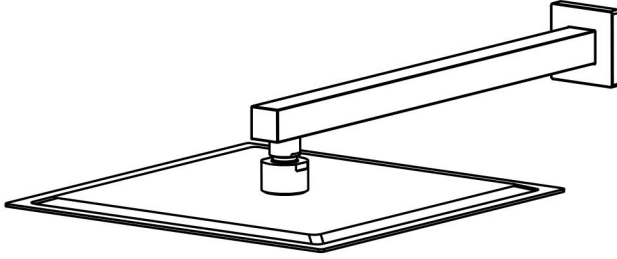


# User's Manual



# INSTALLATION INSTRUCTIONS

## Installation Manual



**IAPMO RESEARCH AND TESTING, INC.**  
5001 East Philadelphia Street, Ontario, California 91761-2816 • USA • 909-472-4100 • 909-472-4244 • www.iapmort.org





**CERTIFICATE OF LISTING**

**C** This certificate is not evidence of current listing. To verify listing status, visit the IAPMO R&T Product Listing Directory at [pld.iapmo.org](http://pld.iapmo.org)

Effective Date: December 2019 -Rev. 2/24/2020- Void After: December 2024  
 Product: Flexible Water Connectors File No. 5111  
 Issued To: Fanaki Group Inc., Mechanical & Electrical Industrial Zone, Yuhuan County, Yuhuan 317400, ZHEJIANG, China

Identification: Products shall be marked with manufacturer's name or trademark, a statement "For use with water in accessible locations only." The product shall also bear the cUPC® certification mark. Markings shall be by means of either a permanent mark on the product, a label on the product or a tag attached to the product.

Characteristics: Flexible water connectors manufactured in various sizes, lengths and metal and fittings for hot or cold water applications that consist of an inner tube, which may or may not have an outer braided cover. Connectors are to be installed for use in accessible locations only. To be installed in accordance with the manufacturer's instruction, and the latest edition of the Uniform Plumbing Code and National Plumbing Code of Canada.

Products listed on this certificate have been tested by an IAPMO R&T recognized laboratory. This recognition has been granted based upon the

  
Chairman, Product Certification Committee

  
CEO, The IAPMO Group



This listing is based upon the test data and the results indicated on the Effective Date and Void After Date shown above. Any change in material, manufacturing process, marking or design without notifying first contacted the approval of the Product Certification Committee, or any extension of manufacturing, shall not be considered as any recommendation, assurance or guarantee by IAPMO Research and Testing, Inc. of the product compliance with applicable codes and standards. This listing is subject to the conditions set forth in the applicable code or standard. This listing is not intended to be used for advertising purposes. Production of or reference to this listing for advertising purposes may be made only by specific, written permission of IAPMO Research and Testing, Inc. Any alteration of this certificate could be grounds for revocation of this listing. This document shall be reproduced in its entirety.

**IAPMO RESEARCH AND TESTING, INC.**  
5001 East Philadelphia Street, Ontario, California 91761-2816 • USA • 909-472-4100 • 909-472-4244 • www.iapmort.org





**CERTIFICATE OF LISTING**

**C** This certificate is not evidence of current listing. To verify listing status, visit the IAPMO R&T Product Listing Directory at [pld.iapmo.org](http://pld.iapmo.org)

Effective Date: November 2019 Void After: November 2024  
 Product: Plumbing Fixture Fittings File No. 10613  
 Issued To: Aqua Gallery Co., Ltd 13th-15th A10 Block International Dynamics Sanitary City, 528000 Foshan, China

Identification: Plumbing supply fittings complying with this Standard shall be marked with the manufacturer's recognized name, trademark, or other mark or, in the case of private labeling, the name, trademark or other mark of the customer for whom the fitting was manufactured. The marking shall be accomplished by use of a permanent mark or by placing a permanent label on the product. Markings on plumbing supply fittings shall be visible after installation.

Single-handle, single-control, and automatic compensating mixing bath and shower valves shall have identifiable temperature control settings in which the settings are indicated by words ("Cold", "Warm", "Hot", etc.), by numbers, or graphically.

Package shall be marked with the manufacturer's name, trademark, or other mark as well as the model number or, in the case of private

  
Chairman, Product Certification Committee

  
CEO, The IAPMO Group



This listing is based upon the test data and the results indicated on the Effective Date and Void After Date shown above. Any change in material, manufacturing process, marking or design without notifying first contacted the approval of the Product Certification Committee, or any extension of manufacturing, shall not be considered as any recommendation, assurance or guarantee by IAPMO Research and Testing, Inc. of the product compliance with applicable codes and standards. This listing is subject to the conditions set forth in the applicable code or standard. This listing is not intended to be used for advertising purposes. Production of or reference to this listing for advertising purposes may be made only by specific, written permission of IAPMO Research and Testing, Inc. Any alteration of this certificate could be grounds for revocation of this listing. This document shall be reproduced in its entirety.

**IAPMO RESEARCH AND TESTING, INC.**  
5001 East Philadelphia Street, Ontario, California 91761-2816 • USA • 909-472-4100 • 909-472-4244 • www.iapmort.org





**CERTIFICATE OF LISTING**

**C** This certificate is not evidence of current listing. To verify listing status, visit the IAPMO R&T Product Listing Directory at [pld.iapmo.org](http://pld.iapmo.org)

Effective Date: March 2019 Void After: March 2024  
 Product: Plumbing Fixture Fittings - Components File No. MC-9703  
 Issued To: Ningbo Nandai Cartridge Technology Co., Ltd, Linsen Zone, Chunhui Fuyou, NINGBO 315158, China

Identification: Each fitting component shall bear permanent legible markings to identify the manufacturer. This marking shall be the trade name, trademark, or other mark known to identify the manufacturer. The product shall also bear all other markings required by the standards. The marking shall be applied so as to be visible after installation. The product or packaging shall also bear the cUPC® certification mark along with the term "COMPONENT" above.

Characteristics: Plumbing fixture fitting components to be installed in accordance with the manufacturer's instructions and the requirements of the latest edition of the Uniform Plumbing Code.

Products listed on this certificate have been tested by an IAPMO R&T recognized laboratory. This recognition has been granted based upon the Laboratory's compliance to the applicable requirements of ISO/IEC 17025.

Products are in compliance with the following code(s):  
 Uniform Plumbing Code (UPC®)

  
Chairman, Product Certification Committee

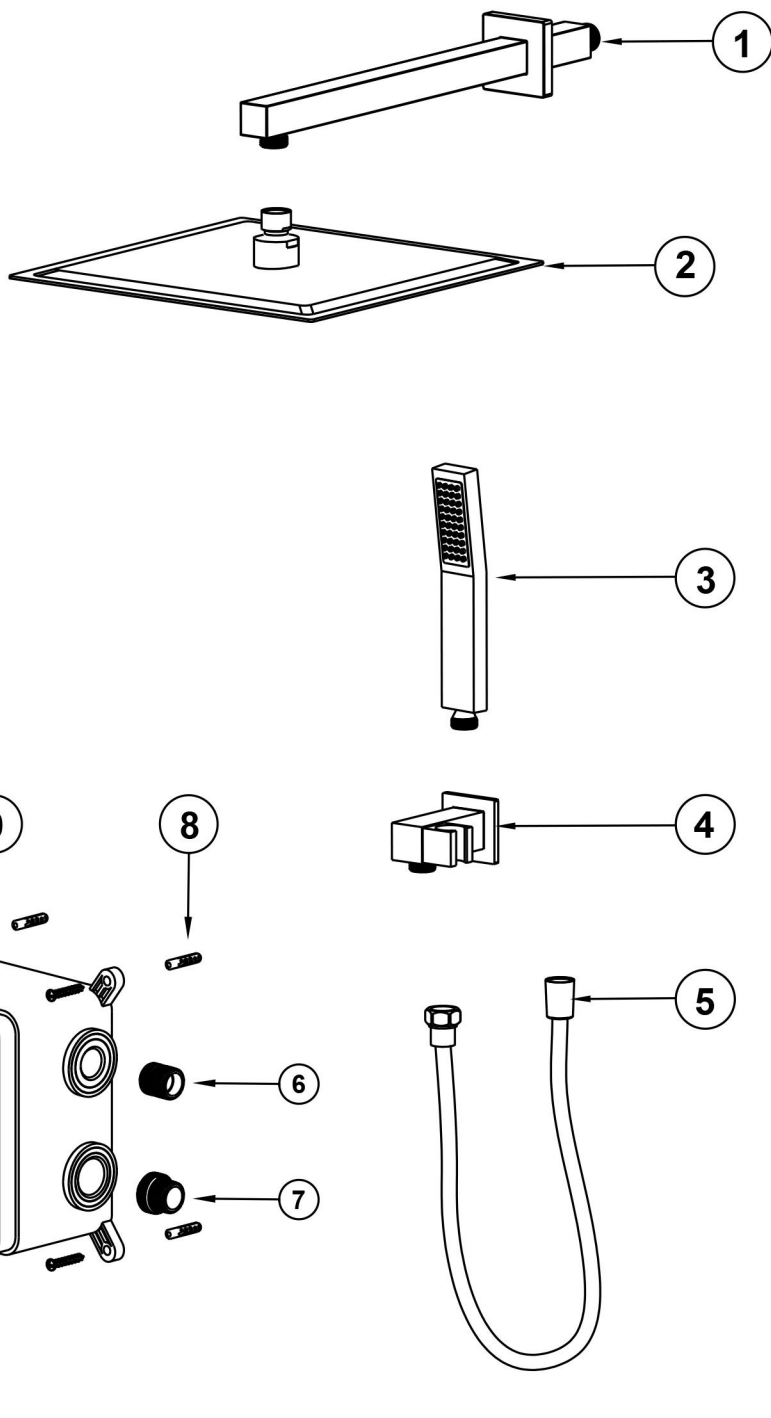
  
CEO, The IAPMO Group



This listing is based upon the test data and the results indicated on the Effective Date and Void After Date shown above. Any change in material, manufacturing process, marking or design without notifying first contacted the approval of the Product Certification Committee, or any extension of manufacturing, shall not be considered as any recommendation, assurance or guarantee by IAPMO Research and Testing, Inc. of the product compliance with applicable codes and standards. This listing is subject to the conditions set forth in the applicable code or standard. This listing is not intended to be used for advertising purposes. Production of or reference to this listing for advertising purposes may be made only by specific, written permission of IAPMO Research and Testing, Inc. Any alteration of this certificate could be grounds for revocation of this listing. This document shall be reproduced in its entirety.

# BEFORE INSTALLATION

NO.	Item	Qty
1	Shower arm	1
2	Rain shower head	1
3	Hand shower	1
4	Hand shower bracket	1
5	Shower hose	1
6	1/2NPT-1/2NPT Connector	2
7	3/4NPT-1/2NPT Connector	2
8	Swell plastic button	4
9	Main body(Including embedded box)	1
10	Tapping screw	4
11	Cover plate	1
12	Diverter	1
13	Screw(hexagonal)	1
14	Decorative button	1



## Check accessories

### Standard List of Accessories:

When you open the product packaging, please check whether the objects in it are consistent with the main body and accessories you purchased. If there is any inconsistency, please contact our company or our distributor.

Note: 1. Accessories are subject to change without prior notice if the change does not affect usage;

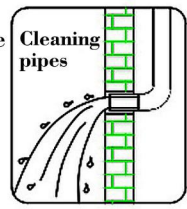
2. The appearance of the product is subject to the physical objects you receive, and the schematic diagram is only for reference.

# INSTALLATION STEPS

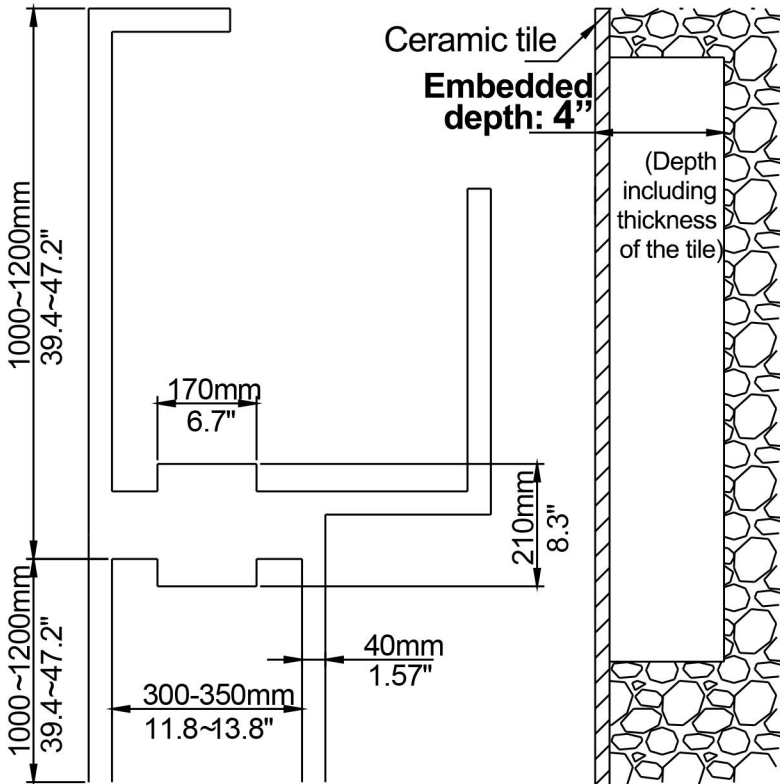
This product has been inspected and debugged by the factory to the best condition. Please do not disassemble and assemble it yourself.



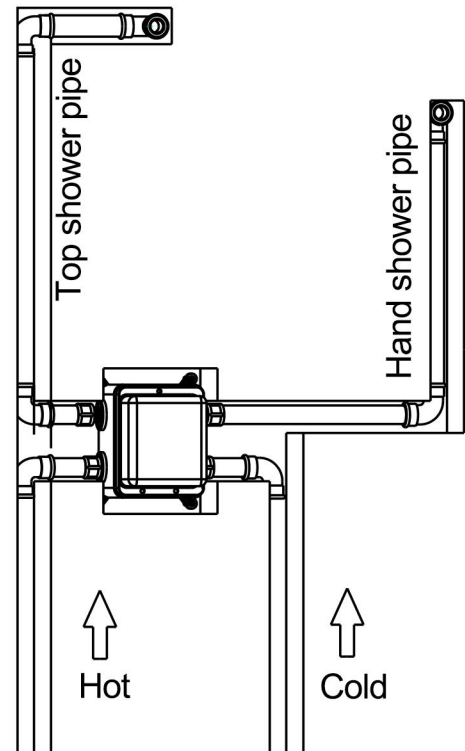
Before installing the faucet, please be sure to remove sundries and sludge from the water pipe to prevent sundries from blocking the faucet.



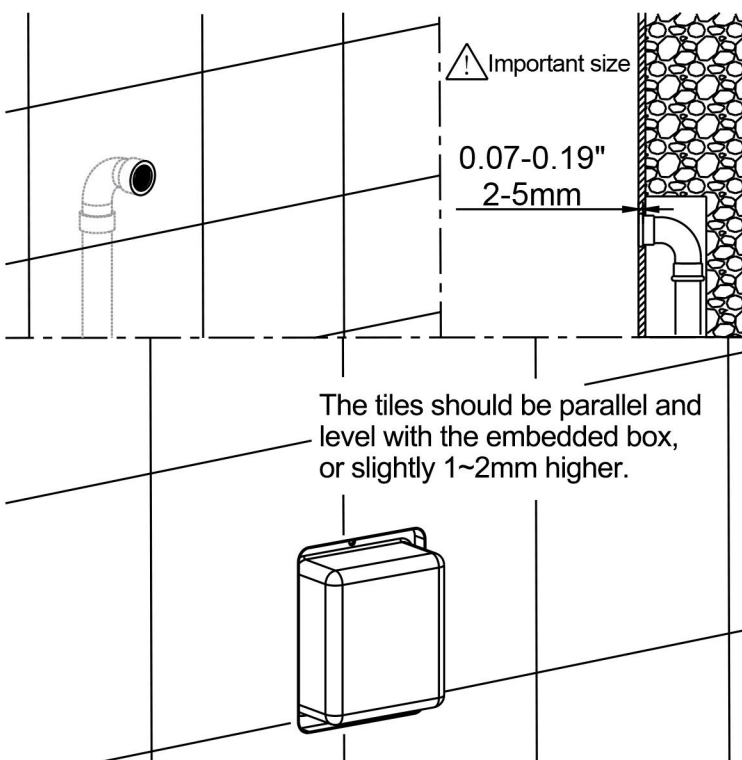
1. Dig pipe grooves for pre-burying pipes.



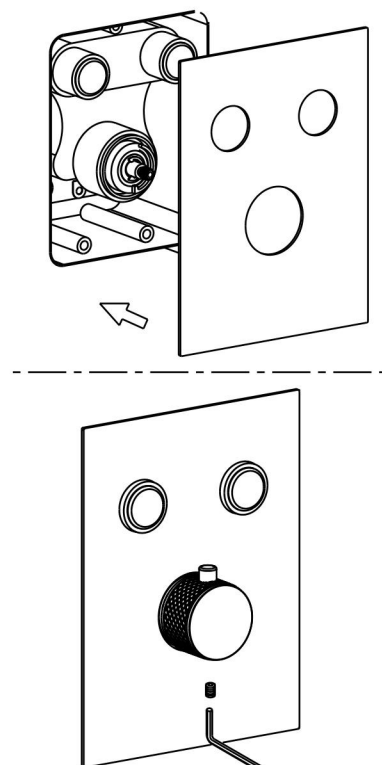
2. Install the main body, water inlet and outlet pipes.



3. Stick tiles, Please note that the outlet should be slightly lower than the surface of the tiles.

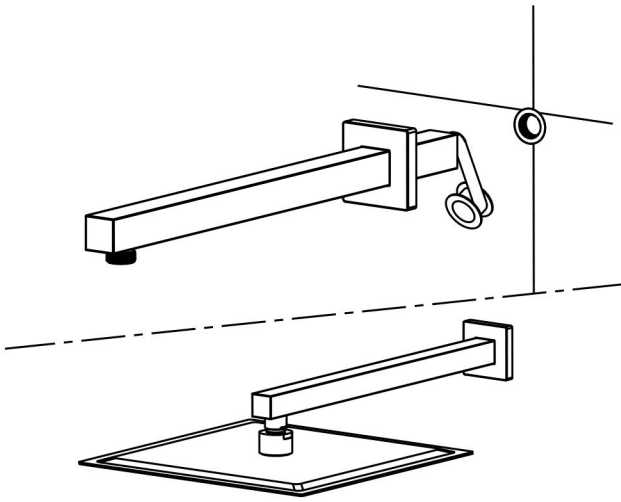


4. Stick the tiles, remove the protecting cover, install the cover plate and diverter.



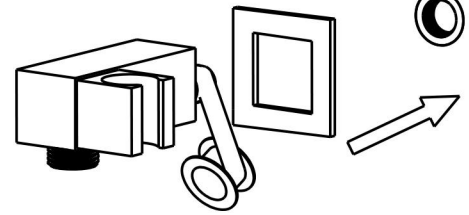
# INSTALLATION STEPS

5. Install shower arm and rain shower head.  
(Wrap the PTFE tape around the thread)

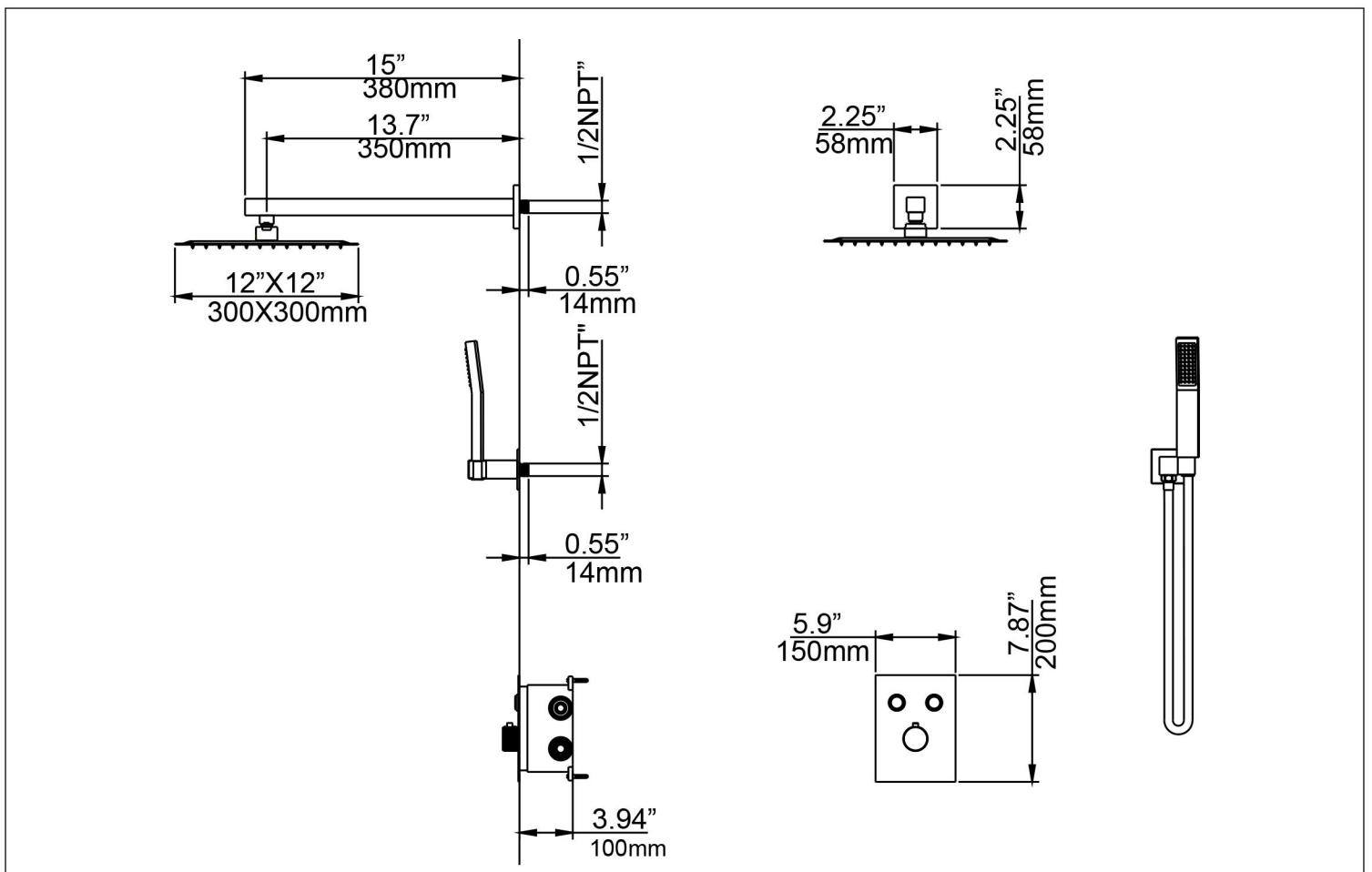


6. Install hand shower bracket.  
(Wrap the PTFE tape around the thread)

(The outlet should be flush with the tile's surface).



## INSTALLATION DIMENSION



## CLEANING CARE

In order to keep the appearance of faucet clean, bright and good performance, please take care of the faucet as follows;

1. Rinse with water only and dry with soft cotton cloth;
2. Use mild liquid and colorless glass cleaner to remove surface dirt and scale film, or use polish without abrasive effect;
3. Do not use abrasive detergent, polish, emery cloth, paper towel or scraper, etc.;
4. Do not use acid cleaner, or cleaner and soap with insoluble gran etc.;
5. In the process of use, mud may accumulate in the bubbler and make the water flow slow, The bubbler can be unscrewed, rinsed with water, and then installed back in place.



