

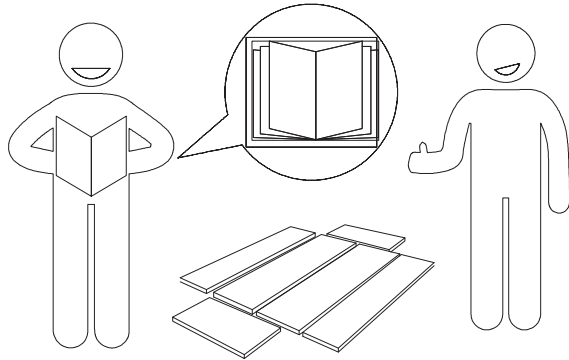
Assembly Instructions




! IMPORTANT

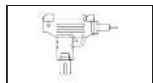
Dear Customers,

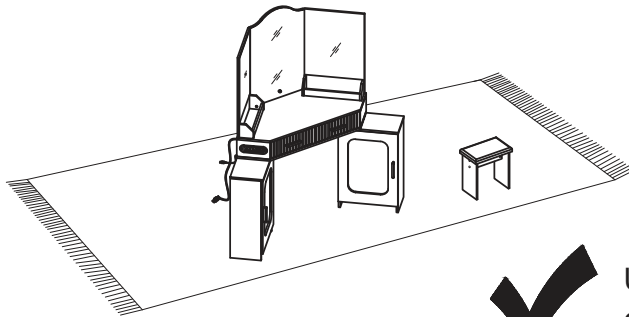
Thank you for purchasing our product. Please read this instruction manual carefully before installation. The warning, cautions, and instructions listed in this manual may not cover all possible situations that may arise when using the product.



X2 For easier and better assembly, 2 or more adults are required.

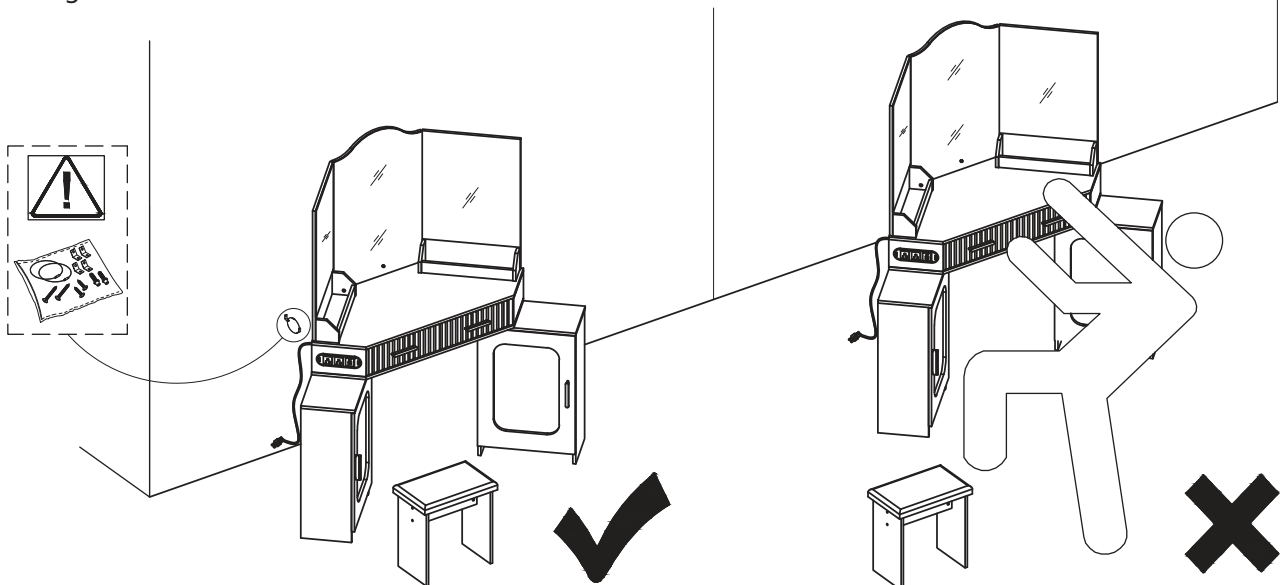
 Strictly follow the instructions and diagram in every step.

 Use electric drill for easier installation experience.

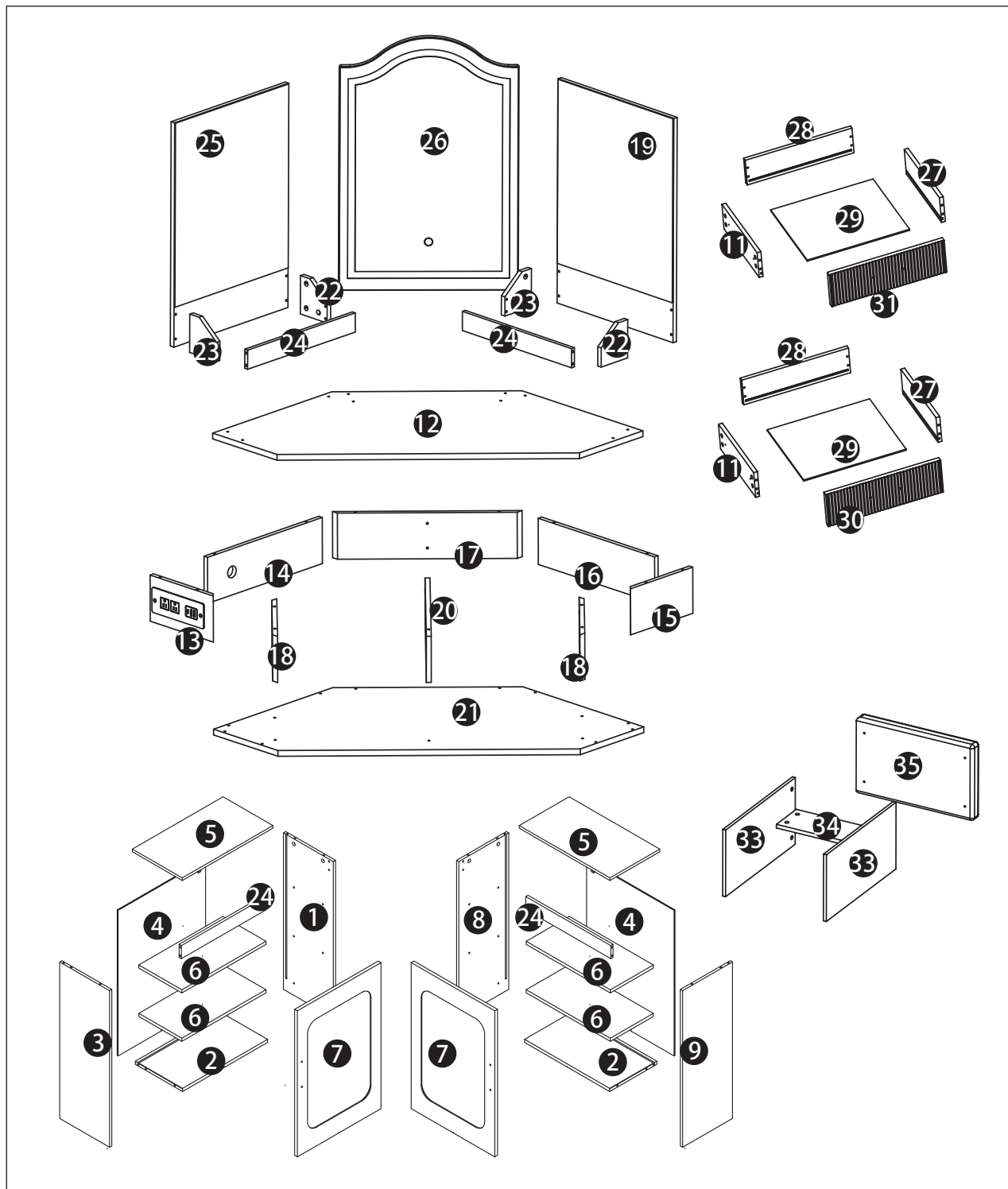


Use a carpet / rug / carton to avoid damage during assembly.


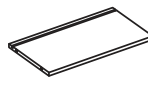


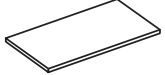
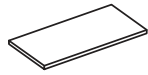
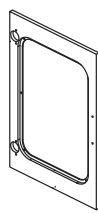


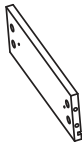
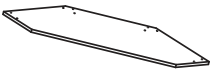
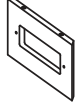
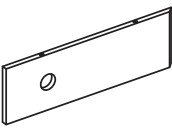
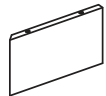
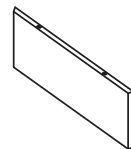
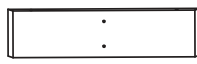

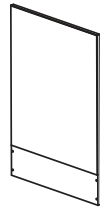

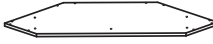
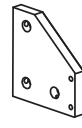
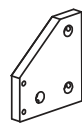

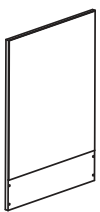
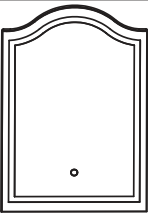
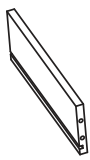

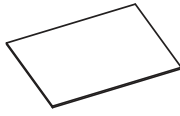
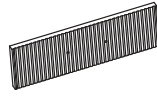
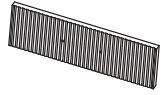
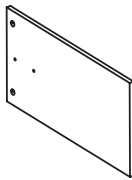

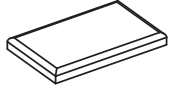
► The tabletop will fall over if it is not against a wall. Please arrange 2 people to move the table and place it against a wall.



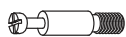
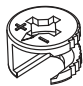
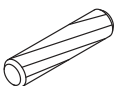




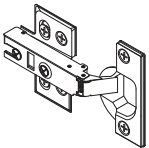



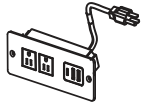
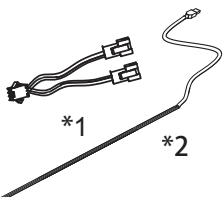

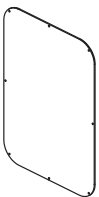

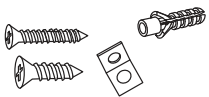
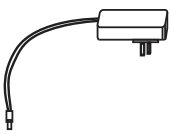
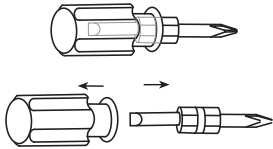
Please check all parts and accessories according to the parts list before assembling, make sure all contents are sufficient and in good condition. If there are any parts missing or defective, please contact us immediately to get replacement parts.



Parts list


 1 X 1	 2 X 2	 3 X 1	 4 X 2	 5 X 2	 6 X 4
 7 X 2	 8 X 1	 9 X 1	 11 X 2	 12 X 1	 13 X 1
 14 X 1	 15 X 1	 16 X 1	 17 X 1	 18 X 2	 19 X 1
 20 X 1	 21 X 1	 22 X 2	 23 X 2	 24 X 4	 25 X 1
 26 X 1	 27 X 2	 28 X 2	 29 X 2	 30 X 1	 31 X 1
 33 X 2	 34 X 1	 35 X 1			

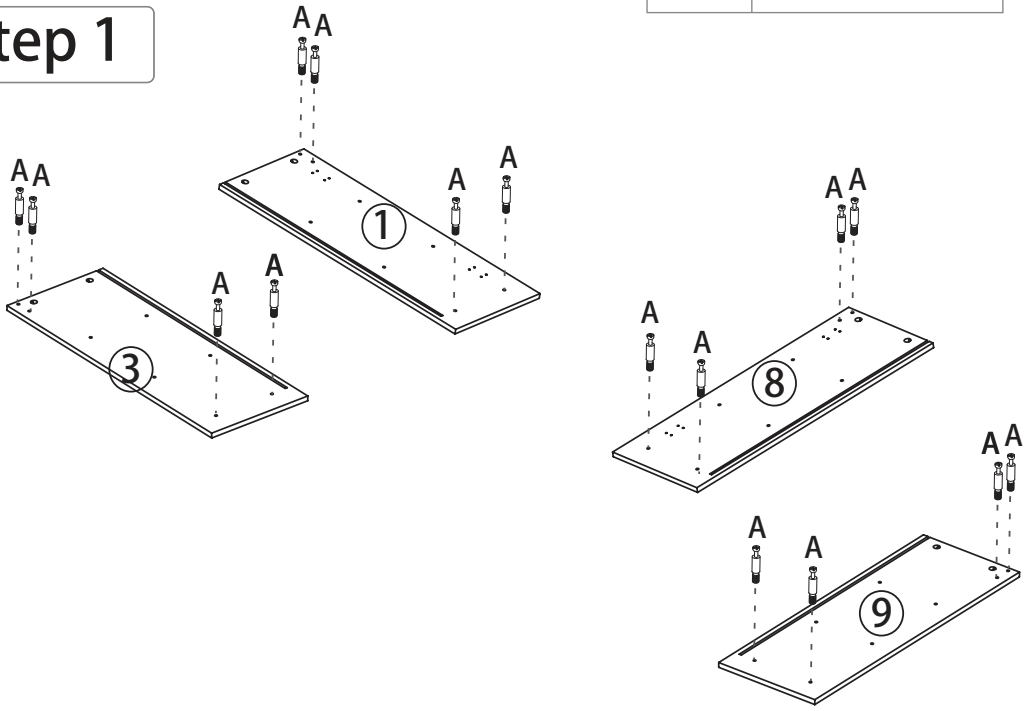
Hardware List

				
A M5*30 (*104+4)	B Φ10 (*104+4)	C M6*30(*6)	D St3*12(*86+4)	E M4*18(*4+1)
				
F M6 (*16+1)	G *2	H *4	I *4	J *(8+1)
		 *1 *2		
K *4	L *1	M	N M4*16(*4+1)	P *2
			 Double-head screwdriver, use as required	
R 30*31*2 (*2)	S (*1)	*1	*1	


Note: The number after "+" sign indicates the extra piece(s).

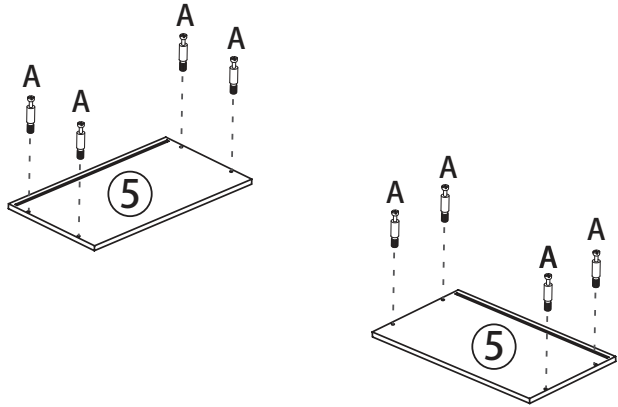
Step 1

A  x 16



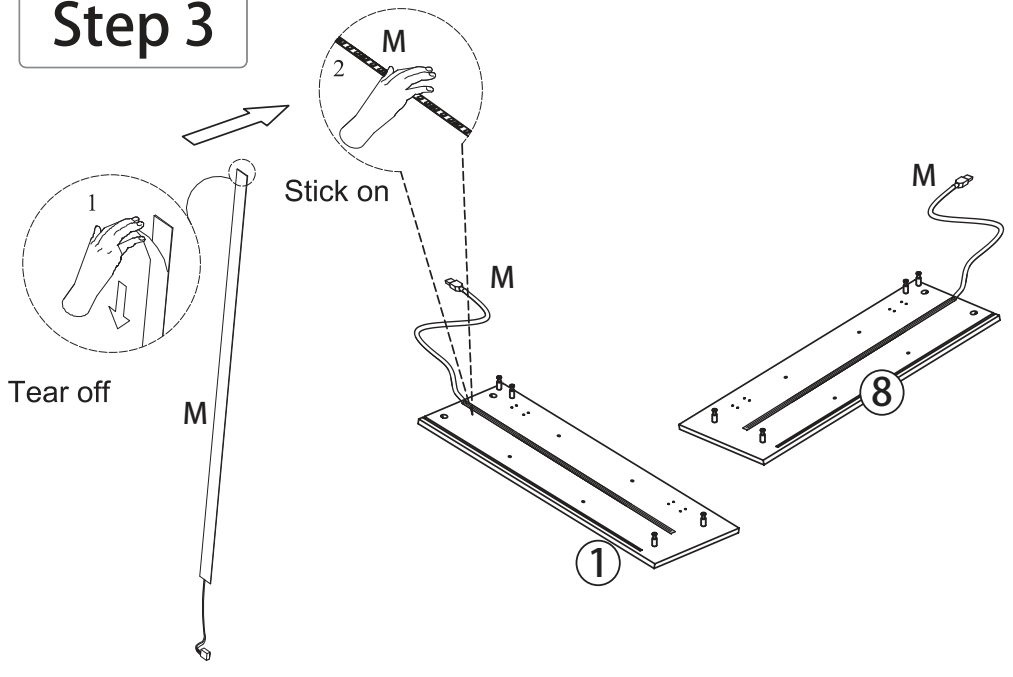
Step 2

A  x 8



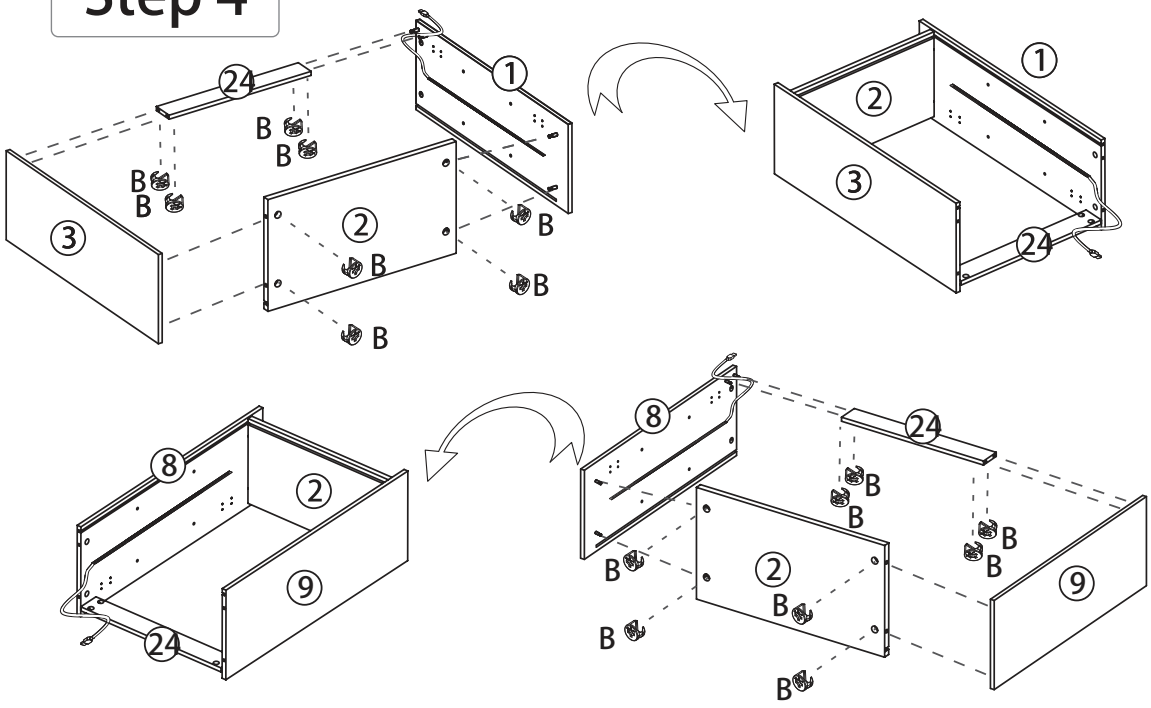
Step 3

M  x 2

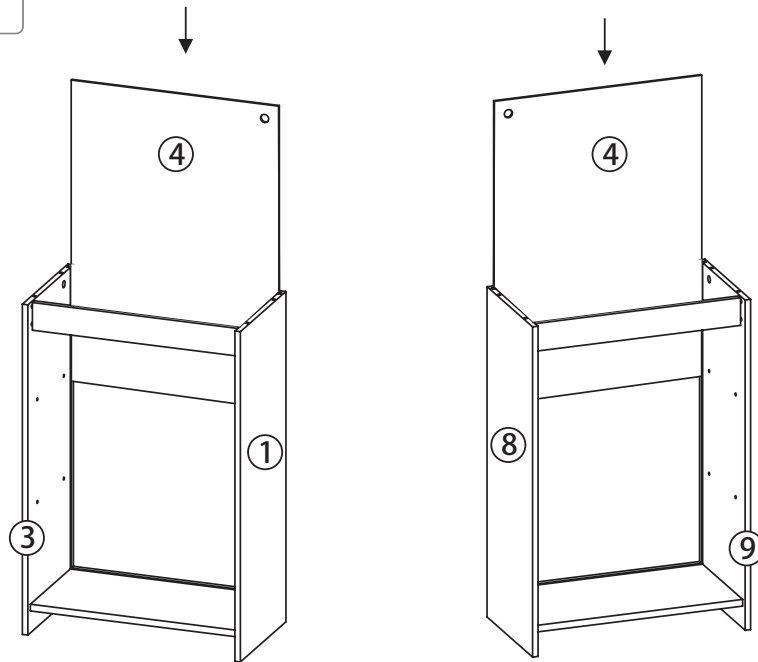


Step 4

B  x 16

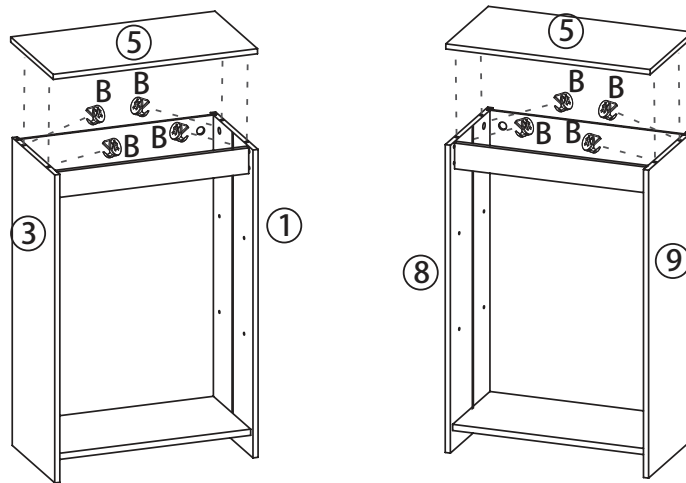


Step 5





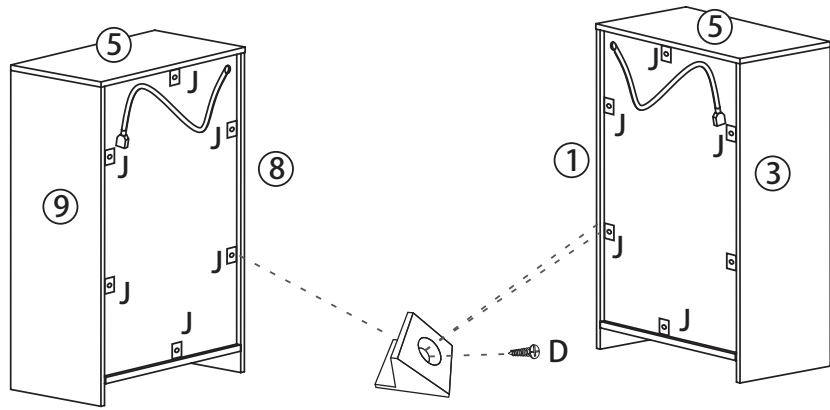
Step 6

B  x 8



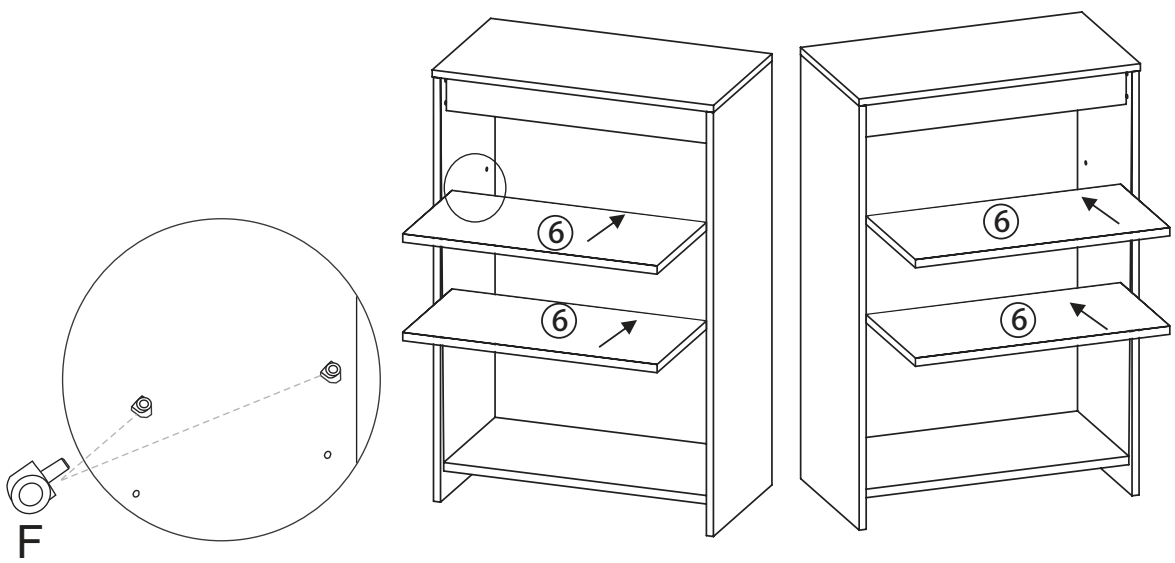
Step 7

D	 x 12
J	 x 12




Step 8

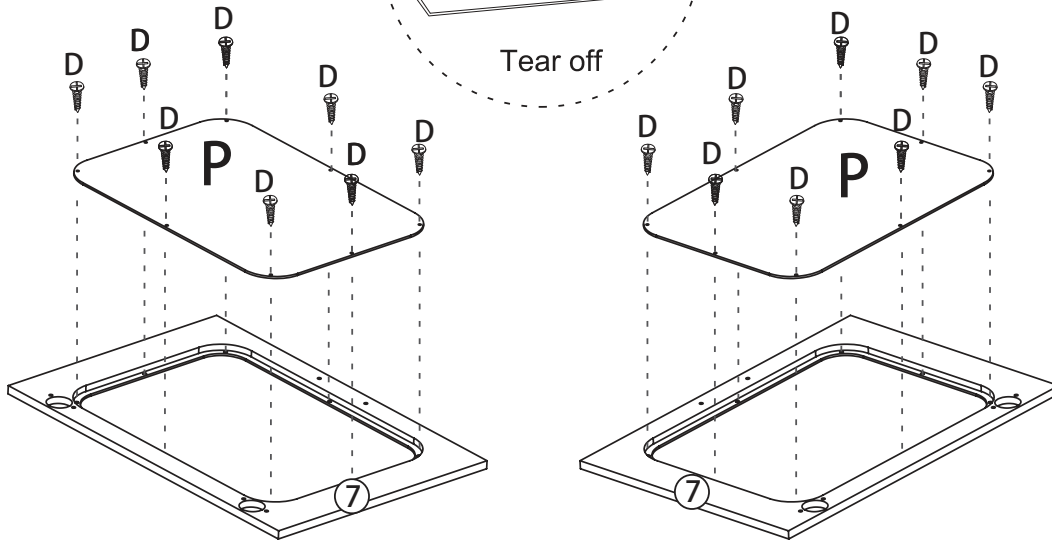
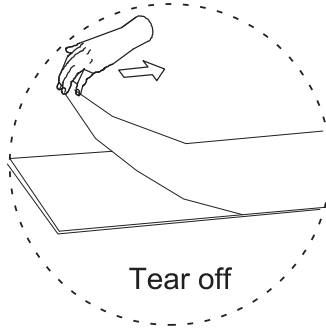
F	 x 16
----------	--



Step 9

D

 x 16



Step 10

H

 x 4

D

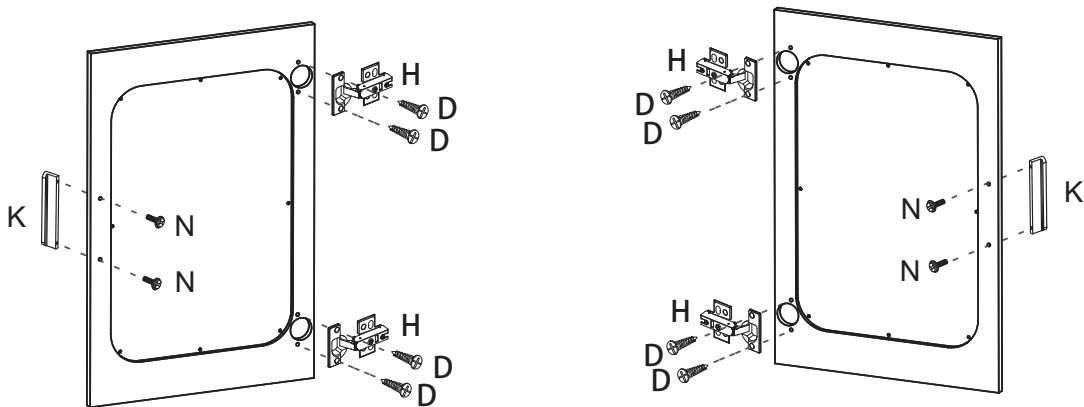
 x 8

K

 x 2

N

 x 4

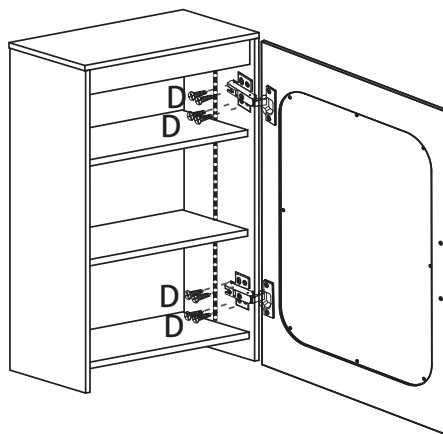
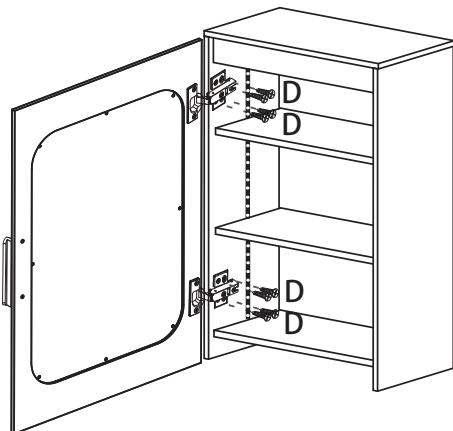
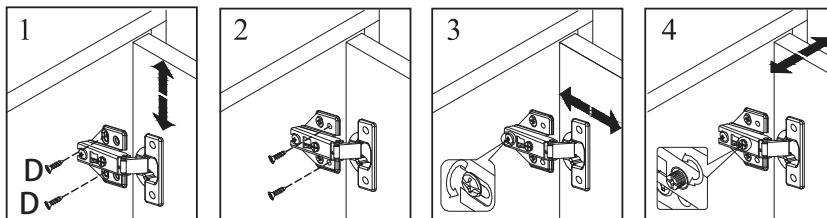


Step 11

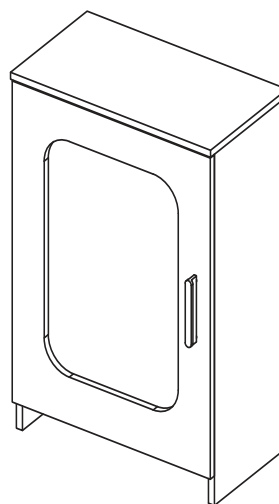
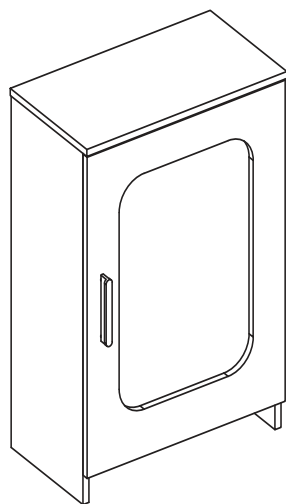
D

 x 16

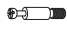
If the door does not close correctly, adjust the screws according to the direction

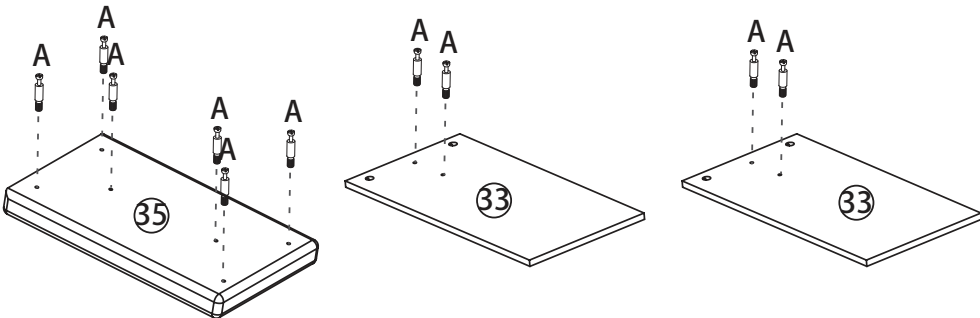


Step 12



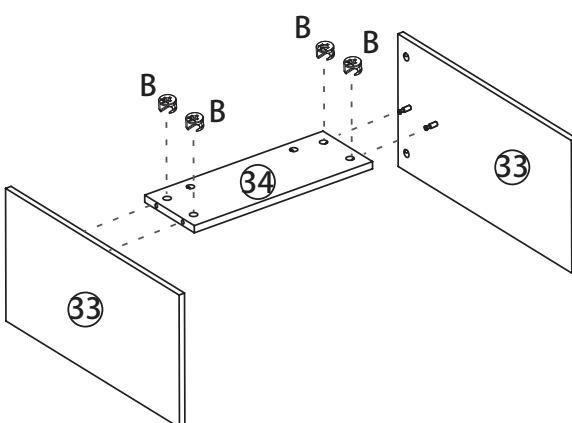
Step 13

A  x 10



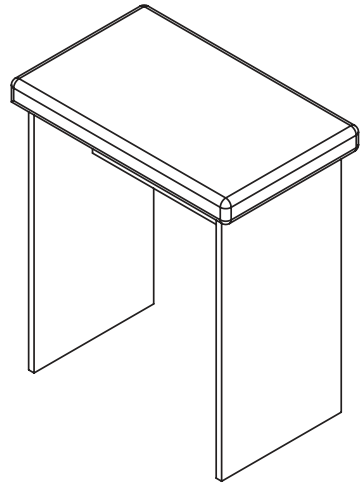
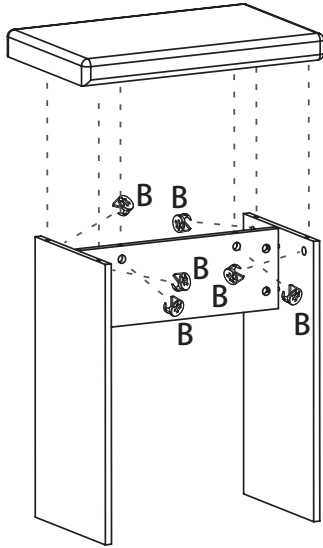
Step 14

B  x 4




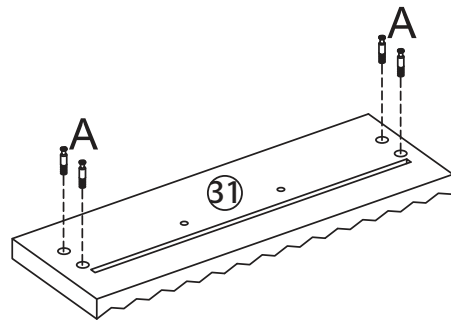
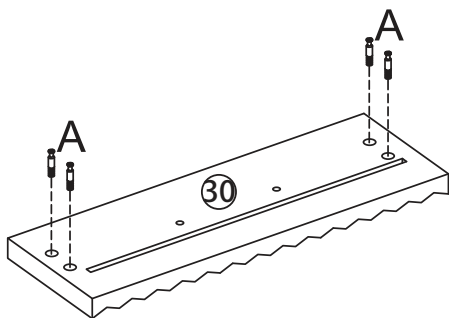
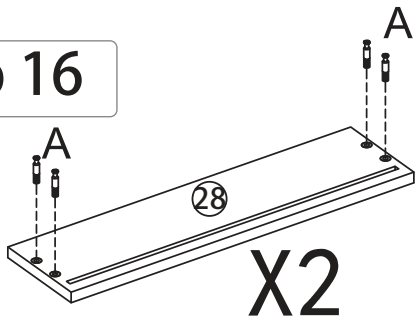
Step 15

B  x 6



Step 16

A  x 16

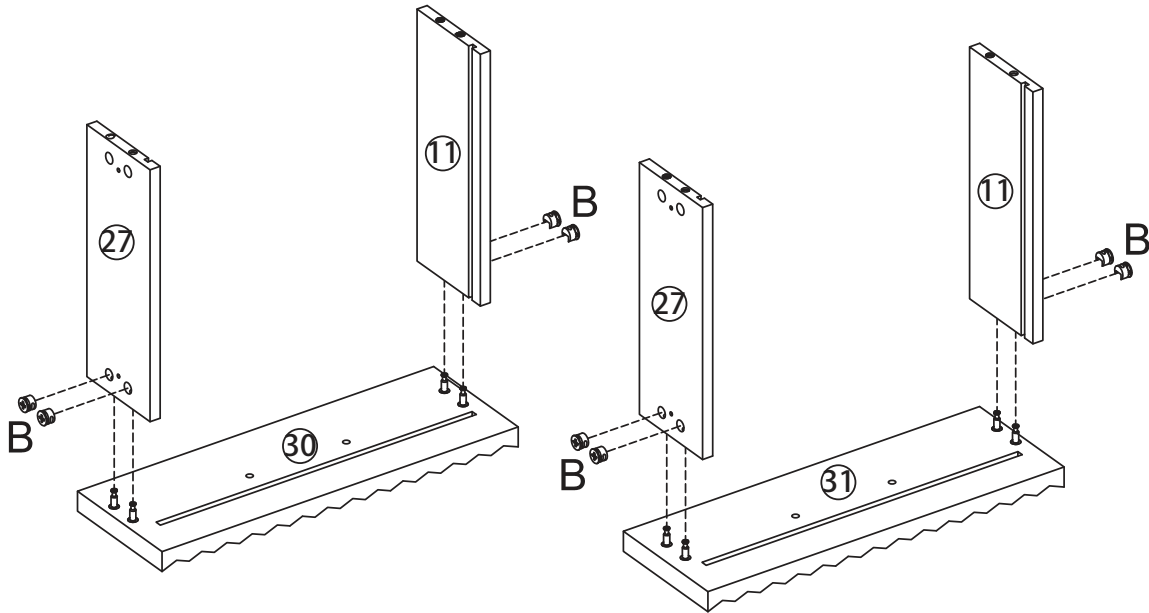


B

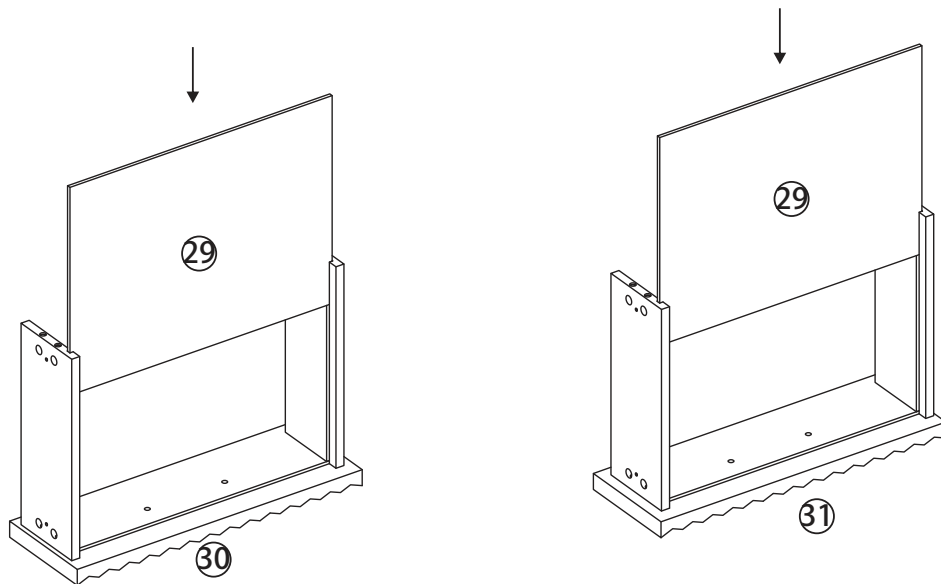


x 8

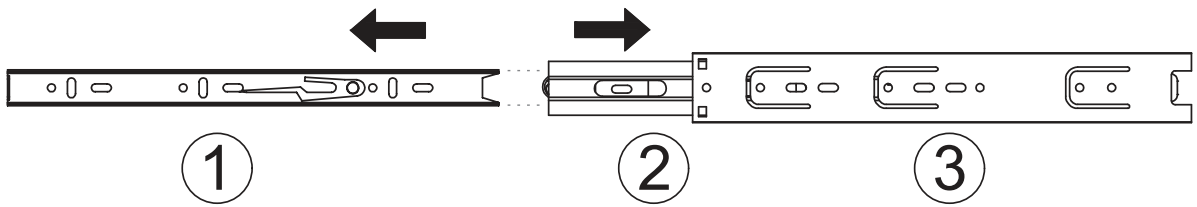
Step 17



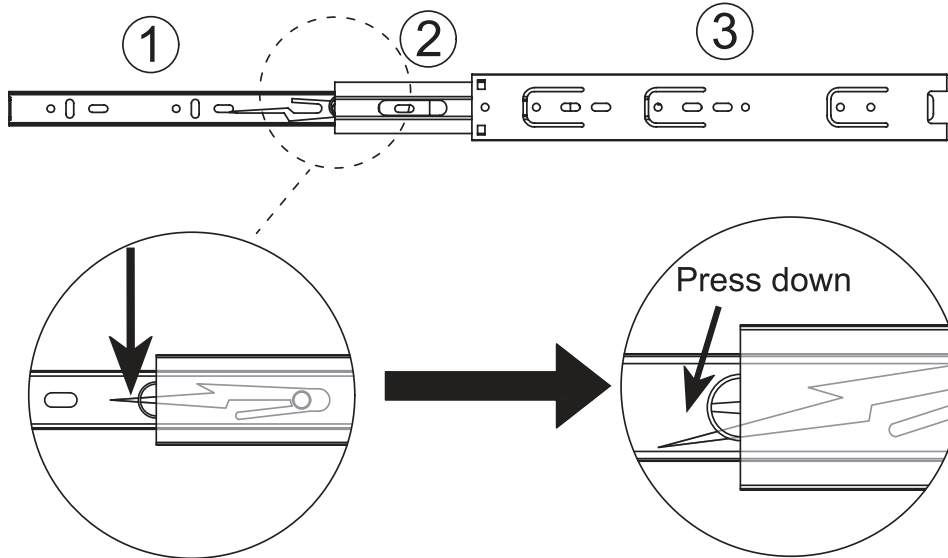
Step 18



Drawer rail separation diagram

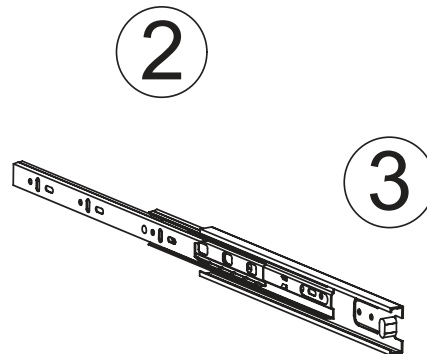
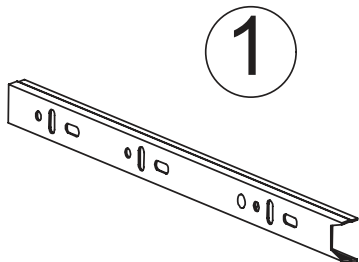


Step 1 : Pull the rails apart



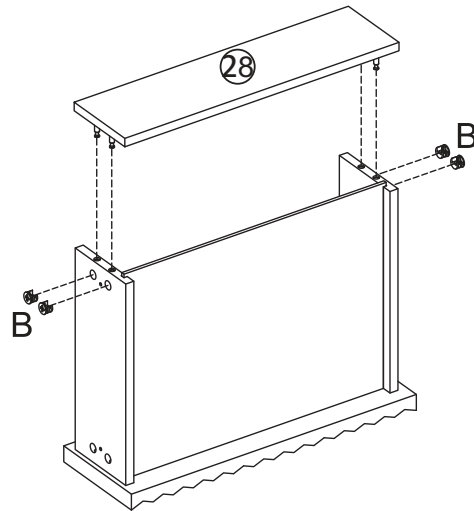
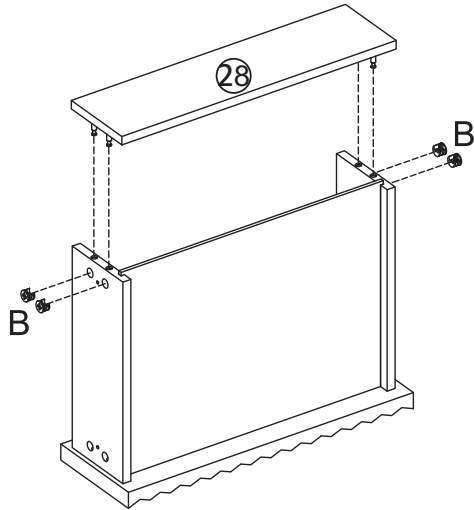
Step 2: Press/lift the nylon button and pull out ①.

Please complete the rail separation before proceeding to the next step .



B

x 8

Step 19**Step 20****I** ①

x 4

D

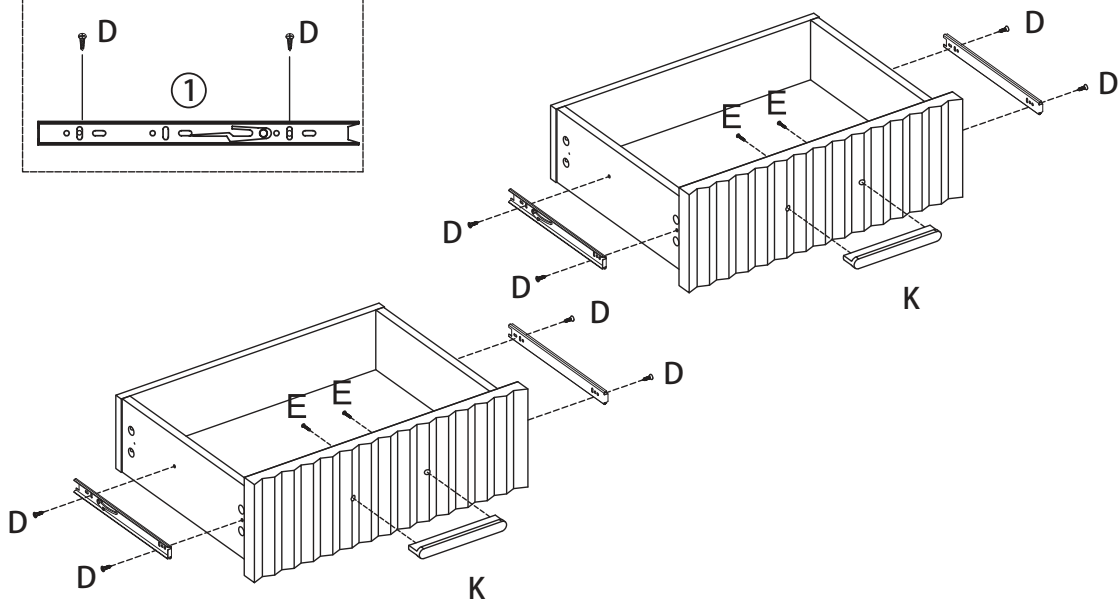
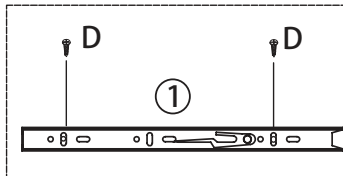
x 8

K

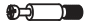
x 2

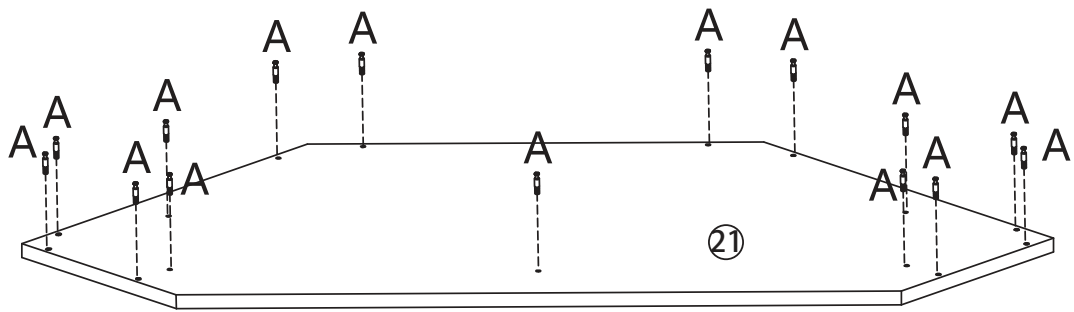
E

x 4



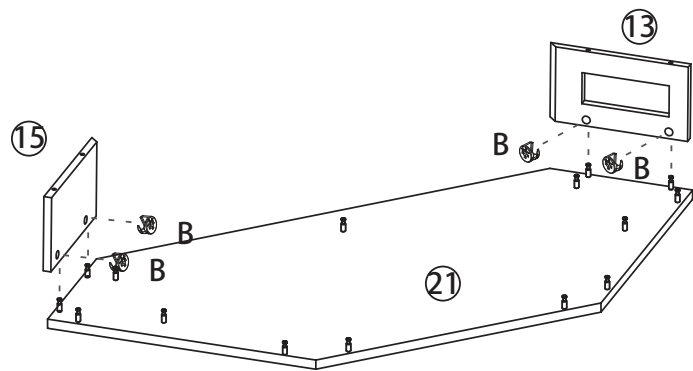
Step 21

A  x 15



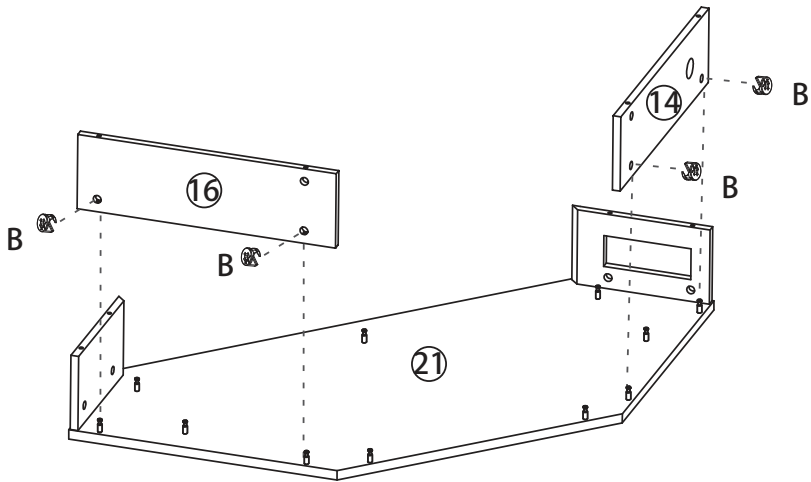
Step 22

B  x 4

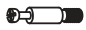


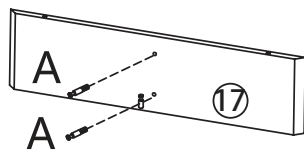
Step 23

B  x 4



Step 24

A  x 2



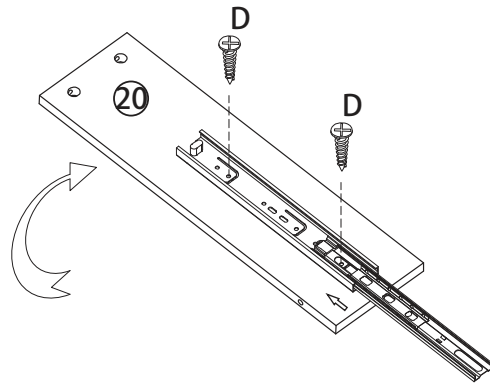
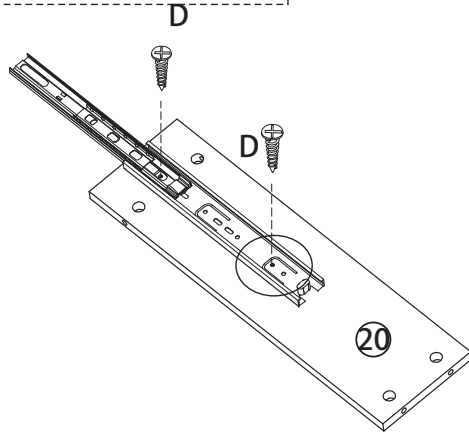
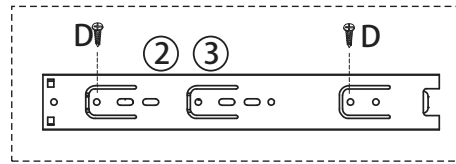
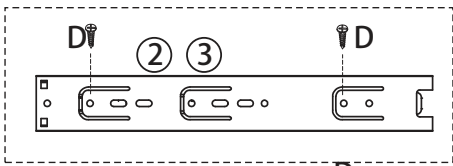
Step 25

②③

 x 2

D

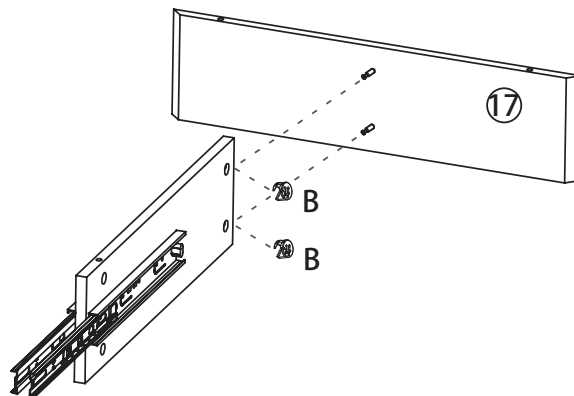
 x 4



Step 26

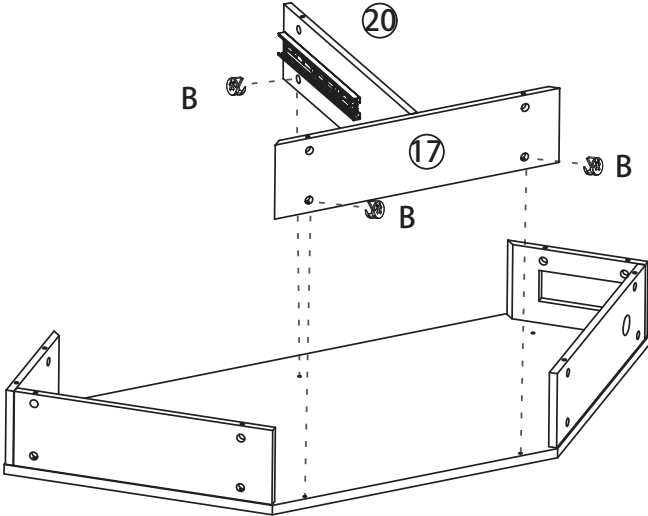
B

 x 2



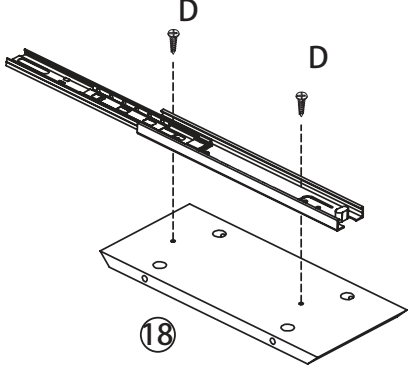
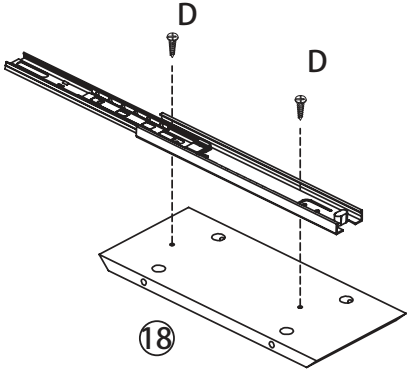
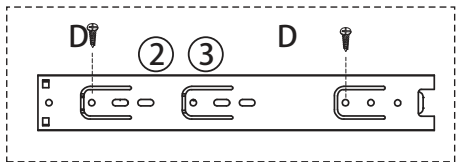
Step 27

B  x 3



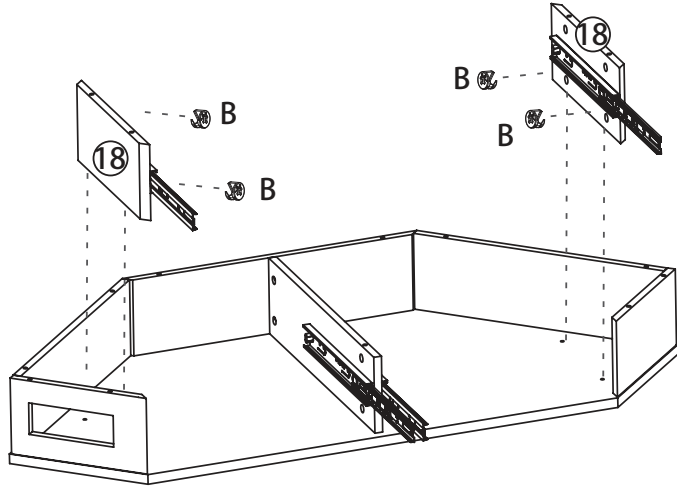
Step 28

I(2)(3)  x 2 **D**  x 4

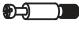
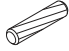


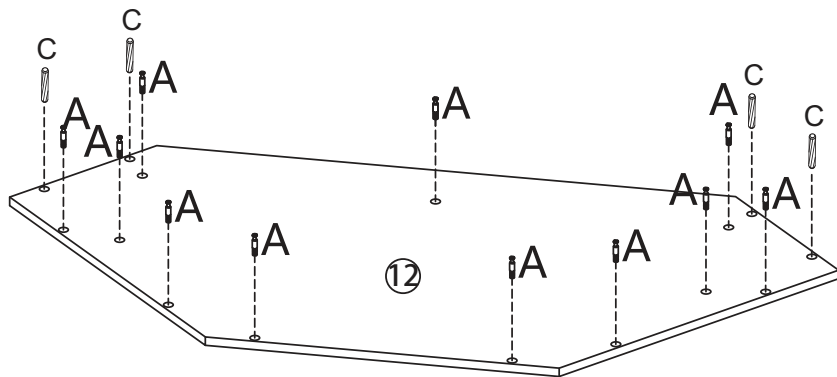
Step 29

B  x 4



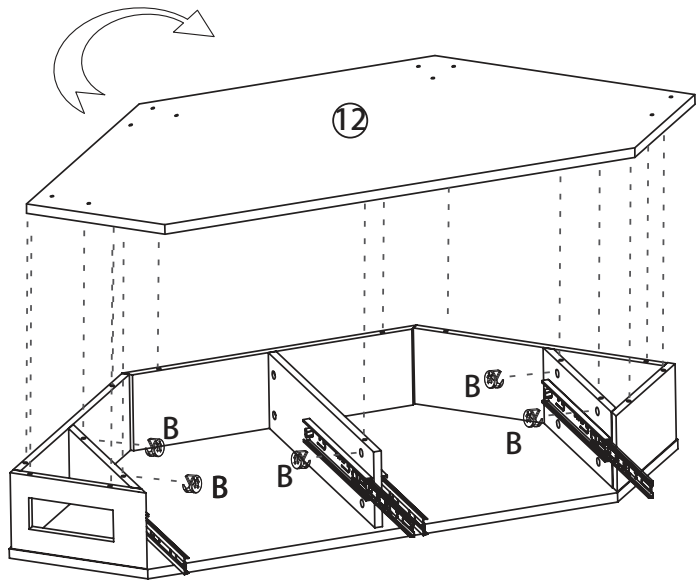
Step 30

A  x 14
C  x 4



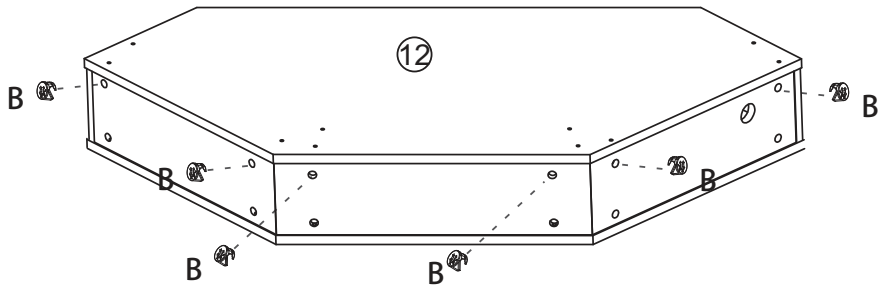
Step 31

B  x 5

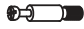


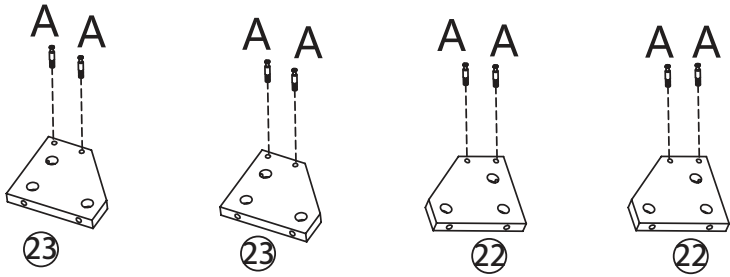
Step 32

B  x 6



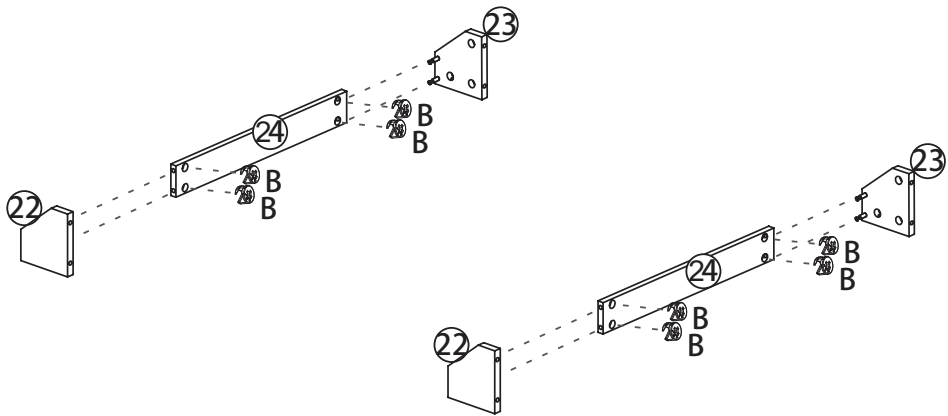
Step 33

A  x 8

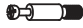



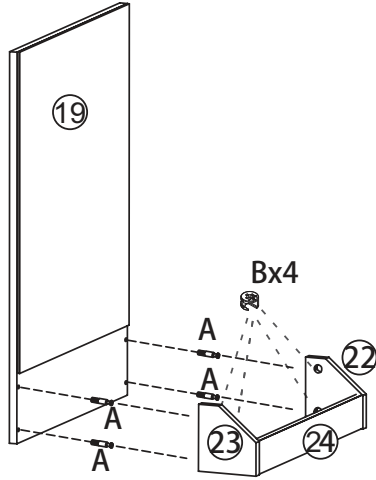
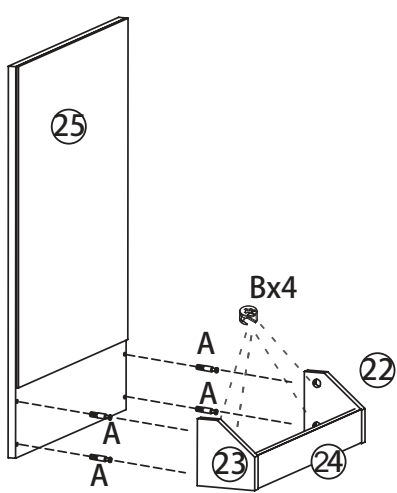
Step 34

B  x 8

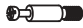


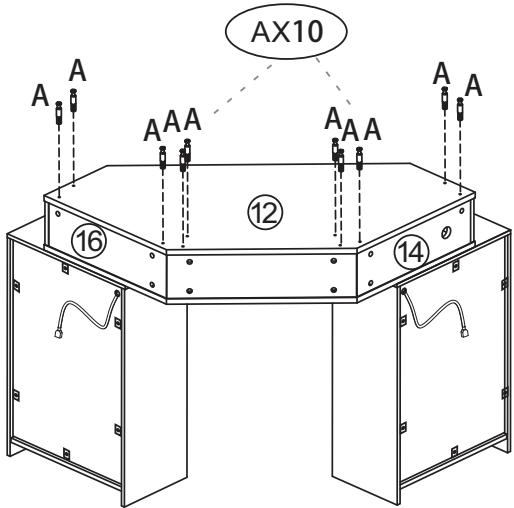
Step 35

A	 x 8
B	 x 8



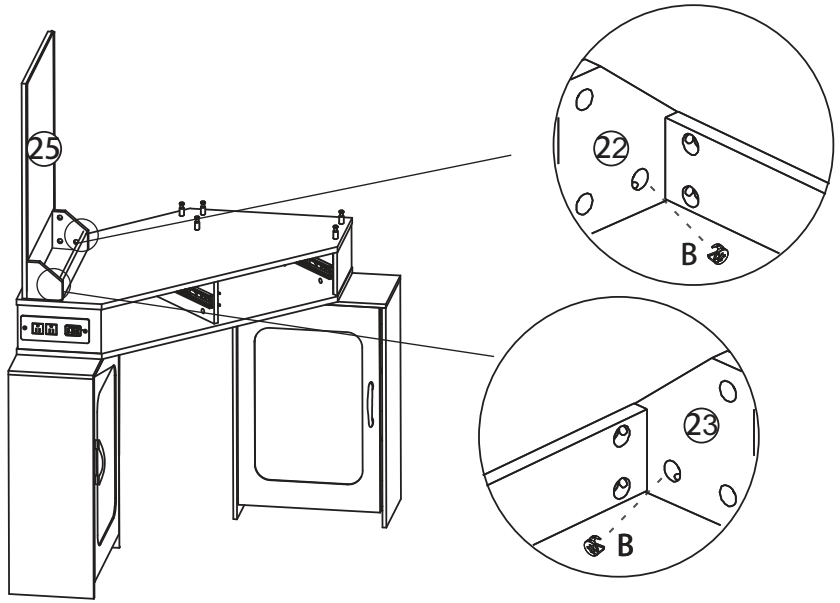
Step 36

A	 x 10
----------	--



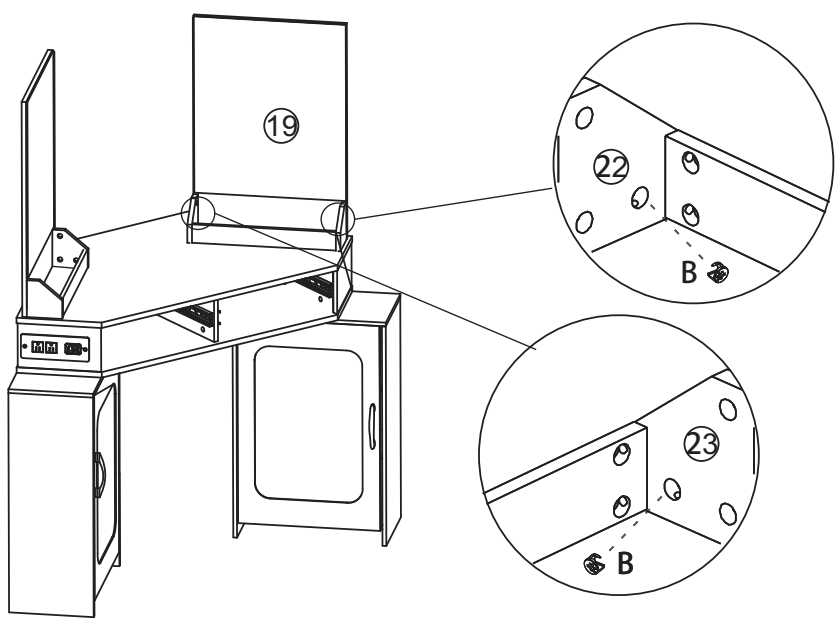
Step 37

B  x 6



Step 38

B  x 2

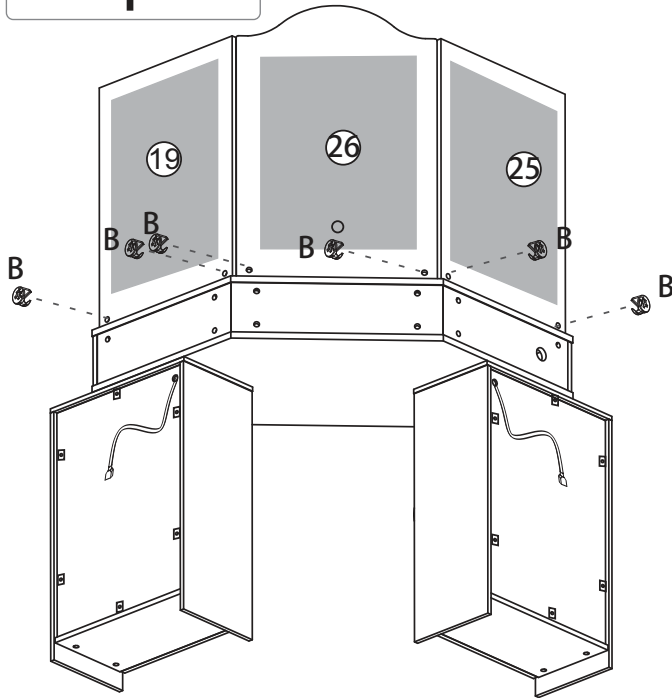


Step 39

B



x 6



- ⚠ 2-person installation required
- ⚠ Adjust the cabinet's position and ensure the tabletop is stable (will not tip over) before installation.

Step 40

D

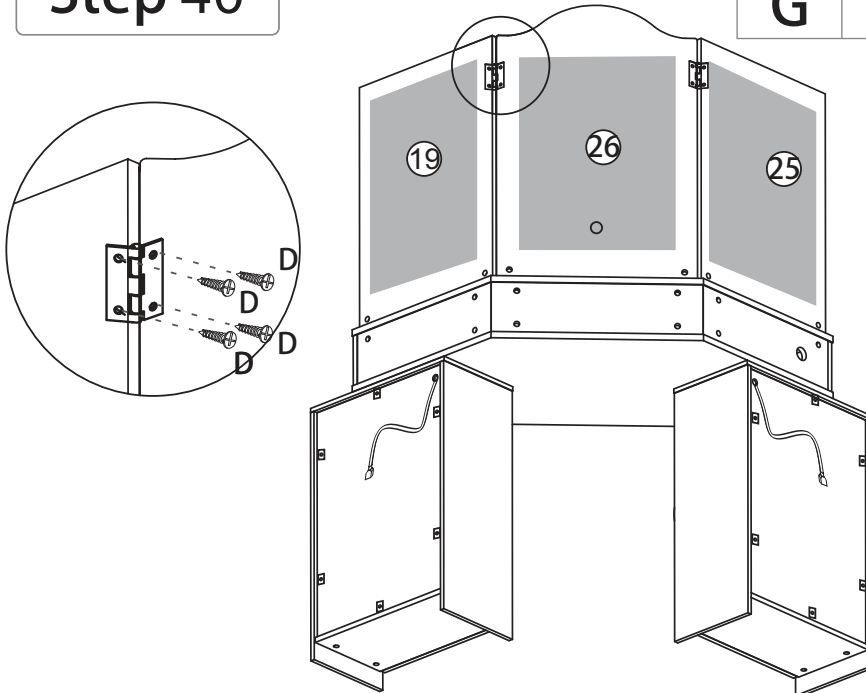


x 8

G



x 2

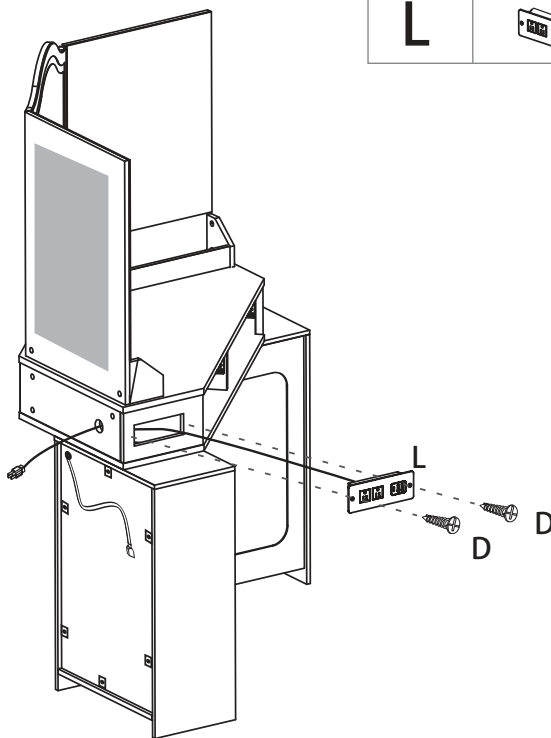


Step 41

D

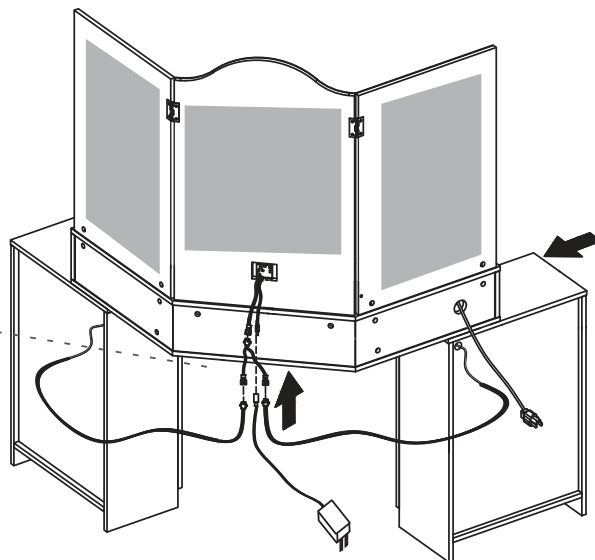
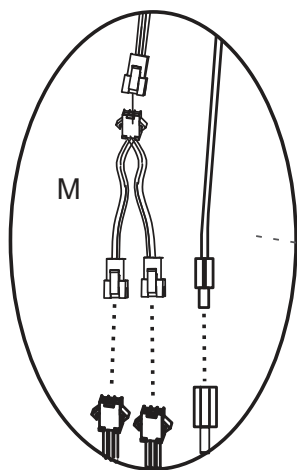


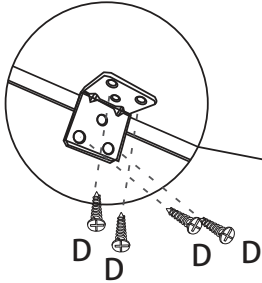
L



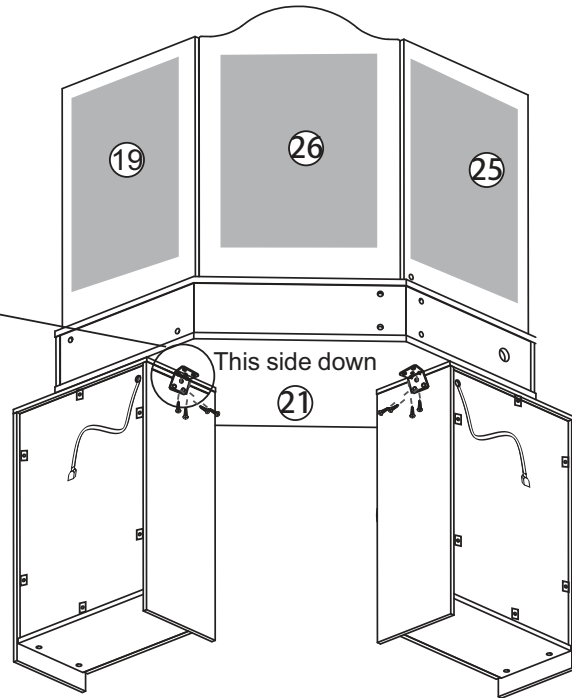
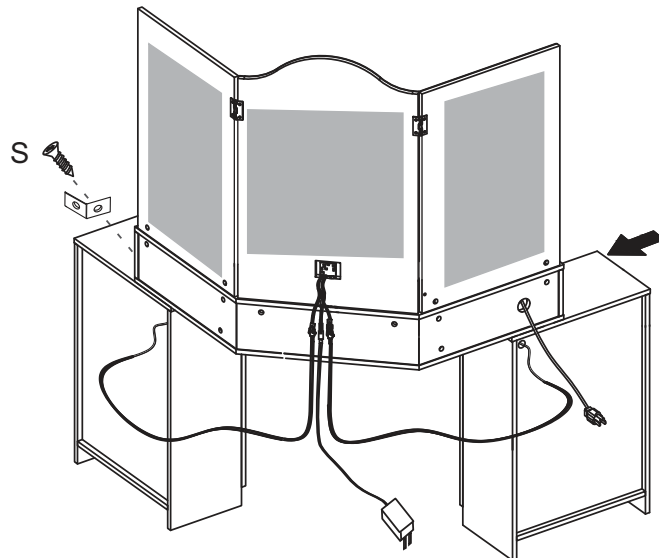
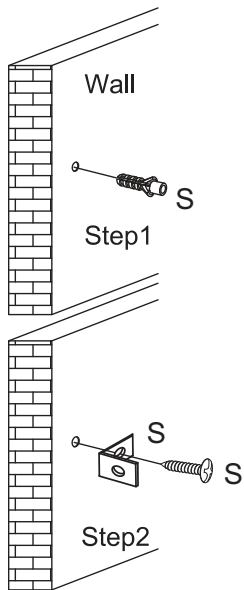
Step 42

M



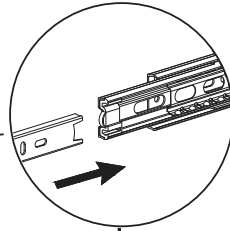
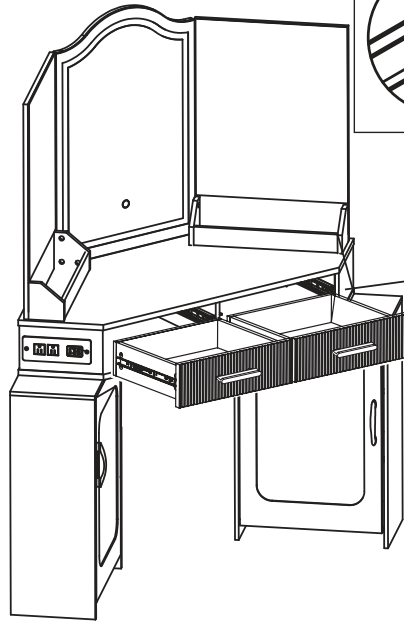
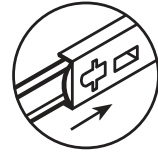
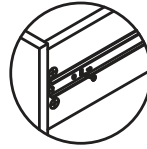
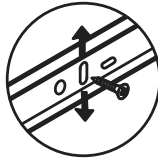
D
 x 8
R
 x 2
Step 43

Move the vanity to the corner, adjust the cabinet position as needs and install the side cabinet's fixed hinges and the anti-slip stripe.

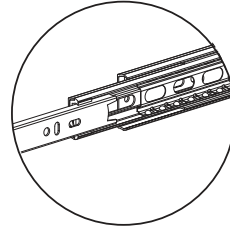
**S**
 x 1
Step 44

Step 45

Adjust the screws if the drawer does not close properly.



Put out ② ③

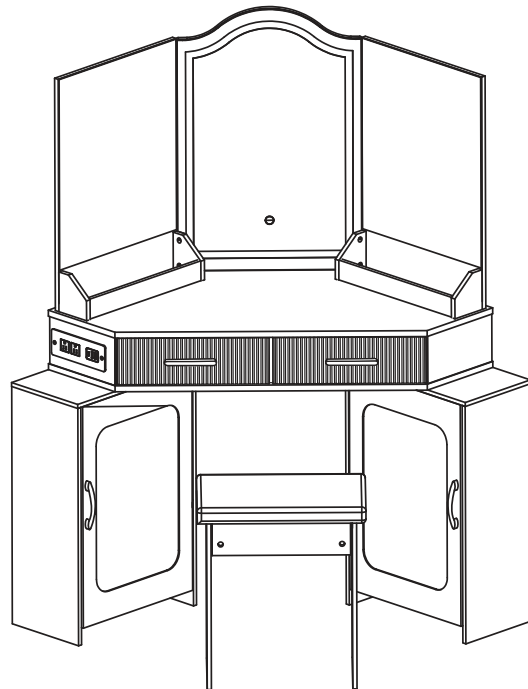


Connect ① ② ③

Step 46

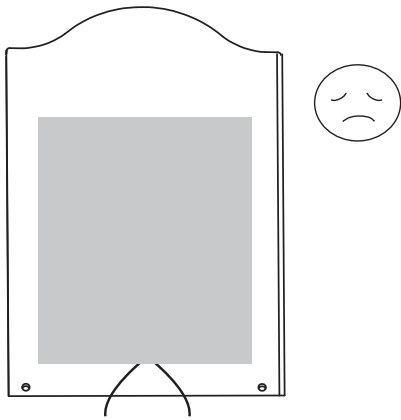
Light Button Operation:

1. After power is applied, the indicator light will illuminate.
2. Short press to switch between 3 light colors; Long press to adjust the light brightness.
3. After turning off the light, long press the button to turn off the indicator light.



Fix Mirror/Button Light

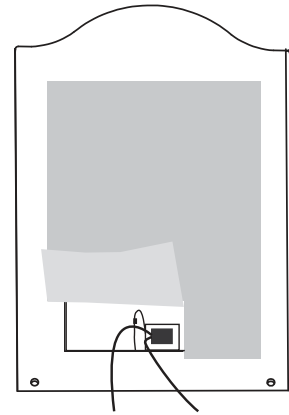
Quick Troubleshooting Guide



Problem Identification

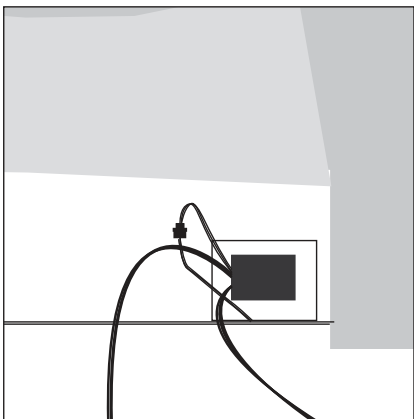
Is your mirror light not responding?
Check the connection first and reconnect.

- ① Try another AC adapter, 12V 3A
- ② If it's plugged in but the button doesn't light up or respond, proceed to the next step



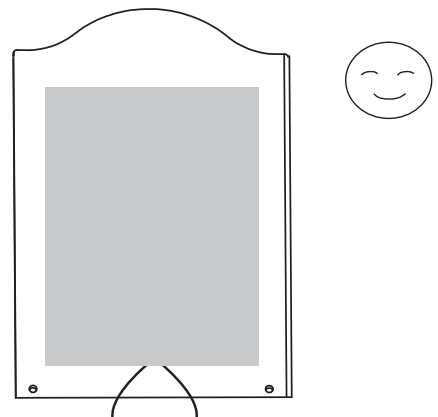
Access the Controller

Carefully peel off the velvet fabric on the back of the mirror to locate the internal button controller and wiring system.



Check Connections & Secure

Reconnect any loose LED strip wires. If the button controller itself is loose, use hot glue or 502 glue to firmly secure it back in place.



Reassemble & Test

Reattach the velvet fabric smoothly. Plug in the power to test. The light should now work normally!

AFTERSALE SERVICE

Dear customer,

Thank you so much for purchasing the product from us.

We aim to provide the best shopping experience to our customers and hope that our products could meet your needs and expectations.

The package would be out of our control during shipping. Please contact us through your purchasing channel directly if there is anything wrong with the box or contents. We are always here, offering you our service.

We will reply to your messages within 12 hours. Please kindly wait for the response from our professional service team.

Your comfort and contentment are of utmost importance.

Best Regards,

Customer Service Team

MAINTENANCE & WARNING

- 1, Never let liquids or damp cloths sit on this furniture.
- 2, Never use chemical cleaning products. They can damage the finish. For cleaning, use only a slightly damp cloth and wipe dry.
- 3, To avoid dulling of the finish, do not place furniture in direct sunlight.
- 4, Do not put plastic or rubber rings under appliances. Use cloth of felt protectors.
- 5, To clean, use a soft or slightly damp cloth, then wipe with a clean, dry cloth.

Serious or fatal crushing injuries can occur from a furniture tip-over.

To help prevent tip-over:

- 1, Place heaviest items in the lowest drawers.
- 2, Do not set TVs or other heavy objects on the top of this product. Never allow children to climb or hang on drawers, doors, or shelves.
- 3, Never open more than one drawer at a time.
- 4, Always monitor your child's activity when in the nursery.
- 5, Do not allow standing in drawers.
- 6, Do not allow standing on top of this product.
- 7, Accessory Items must be securely fastened to this product according to the instructions provided with those items.
- 8, To avoid head injury, do not allow children to play underneath open drawers.
- 9, Do not leave drawers open when not in use.
- 10, Use of tip-over restraints reduce, but does not eliminate, the risk of tip-over