

# Flip Down Keyboard Tray Wall Mount

SKU: MOUNT-FDKB1  
Instruction Manual

---

Assembly Video & Product Info  
[www.vivo-us.com/products/mount-fdkb1](http://www.vivo-us.com/products/mount-fdkb1)



[ THIS PAGE WAS INTENTIONALLY LEFT BLANK ]

## ! CAUTION! !

If you do not understand these directions, or if you have any doubts about the safety of the installation, please contact our product support team at 309-278-5303 or [help@vivo-us.com](mailto:help@vivo-us.com) for further assistance. Check carefully to make sure there are no missing or defective parts. Improper installation may cause damage or serious injury. Do not use this product for any purpose that is not explicitly specified in this manual. Do not exceed weight capacity. We cannot be liable for damage or injury caused by improper mounting, incorrect assembly or inappropriate use.



### WARNING: CHOKING HAZARD

SMALL PARTS - NOT FOR CHILDREN UNDER 3 YEARS. ADULT SUPERVISION IS REQUIRED.



### DO NOT EXCEED WEIGHT CAPACITY

FAILURE TO DO SO MAY RESULT IN SERIOUS INJURY.

---

## We're Here for You

Open **Monday - Friday 7:00am - 7:00pm** CST, our dedicated support team can offer immediate assistance with rapid response times. If any parts are received damaged or defective, please contact us. We are happy to replace parts to ensure you have a fully functioning product.



Give us a Call:  
**309-278-5303**

AVG. RESOLUTION TIME (*within office hrs*): **5M 4S**



Chat Us:  
**[www.vivo-us.com](http://www.vivo-us.com)**

AVG. RESOLUTION TIME (*within office hrs*): **< 15 M**

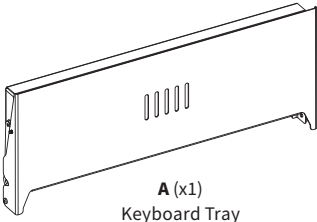


Email Us:  
**[help@vivo-us.com](mailto:help@vivo-us.com)**

AVG. RESPONSE TIME (*within office hrs*): **1HR 8M**

- 23% within < 15m
- 38% within < 30m
- 61% within < 1hr
- 83% within < 2hr
- 92% within < 3hr

## Package Contents



**A (x1)**  
Keyboard Tray



**B (x1)**  
Mouse Pad



**C (x1)**  
Magnet



**D (x5)**  
Velcro Pads

## Included Hardware & Tools



**W-A (x4)**  
ST4.8x38mm  
Screw



**W-B (x4)**  
ST3.5x50mm  
Screw



**W-C (x4)**  
Concrete  
Anchor



**W-D (x4)**  
Drywall  
Anchor

**NOTE:** SOME HARDWARE INCLUDED MAY NOT BE USED

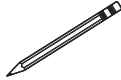
## Tools Needed:



**Phillips  
Screwdriver**



**Stud  
Finder**  
Wood Stud  
Install Application



**Pencil**



**Drill**



**Level**



**3/8" (10mm)  
Drill Bit**

Drywall  
Install Application

**OR**



**1/4" (6mm)  
Drill Bit**

Concrete/Brick  
Install Application

**OR**



**1/8" (3mm)  
Drill Bit**

Wood Stud  
Install Application

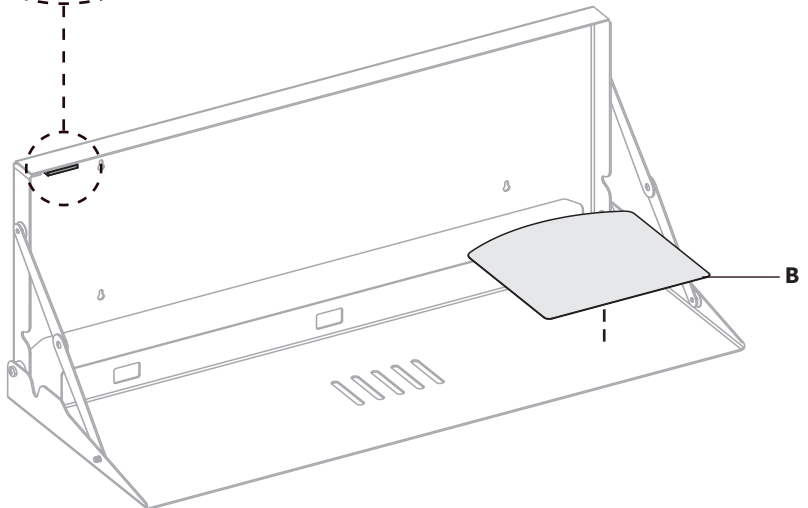
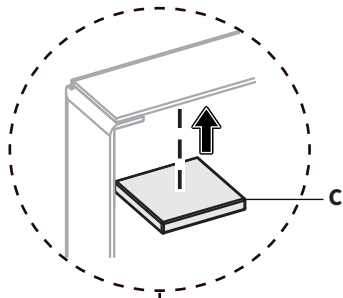
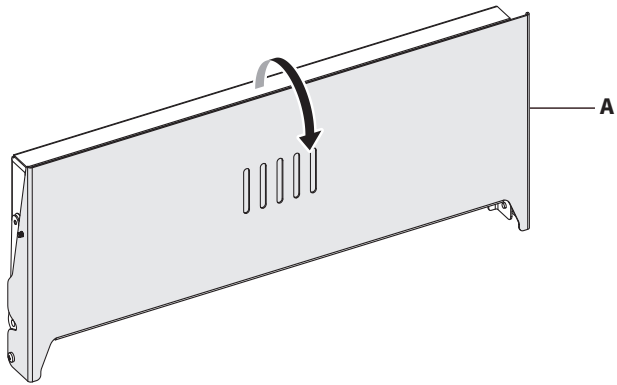
## Weight Capacity:



**22lbs  
(10kg)**

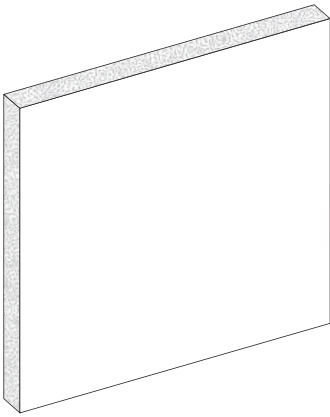
## PREASSEMBLY STEPS

Flip down the tray on Keyboard Tray (A) and attach Magnet (C) to the upper lip. Remove adhesive backing from Mouse Pad (B) and apply to the Keyboard Tray where desired.



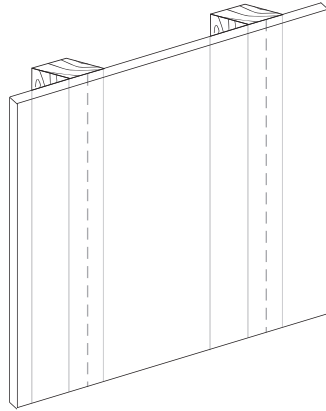
[ THIS PAGE WAS INTENTIONALLY LEFT BLANK ]

## ASSEMBLY OPTIONS:



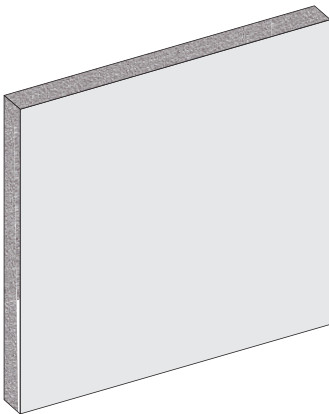
*Option 1:*  
**Drywall**

Pages 8 - 9



*Option 2:*  
**Wood Stud Wall**

Pages 10 - 11



*Option 3:*  
**Concrete / Brick Wall**

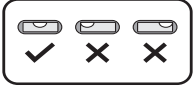
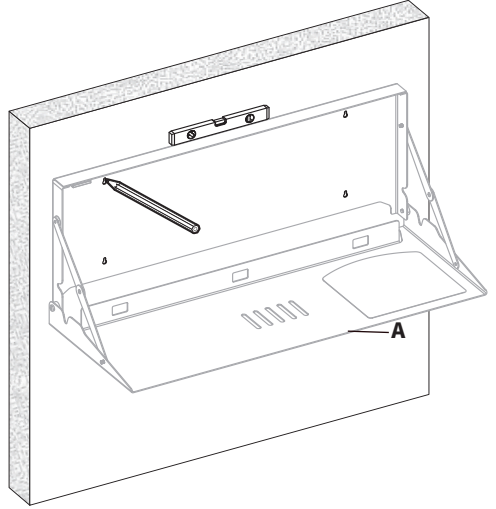
Pages 12 - 13

# Drywall | Assembly

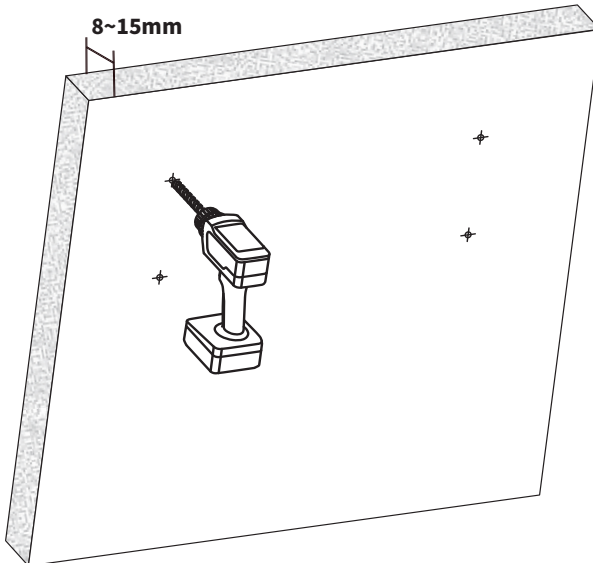
## STEP 1

Use a Stud Finder to locate studs. Hold Keyboard Tray (**A**) onto the wall while using a Level to make sure the Keyboard Tray is balanced.

Mark drilling locations on the narrow side of the holes using a Pencil.

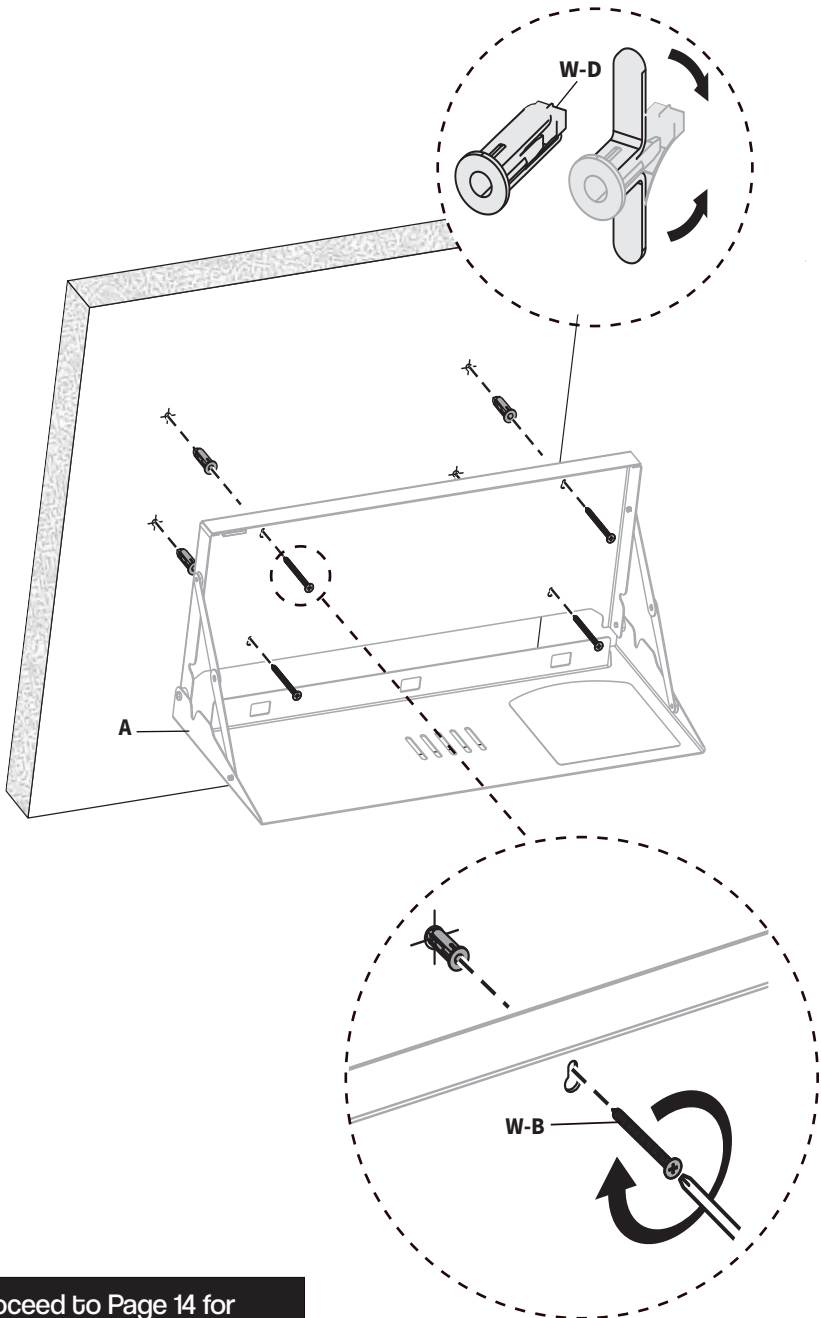


Using a Drill and a  $\frac{3}{8}$ " (10mm) Drill Bit, drill four holes according to the markings made above.



## STEP 2

Fold the flaps on Drywall Anchors (**W-D**) and insert into the drilled holes. Secure Keyboard Tray (**A**) to wall using ST3.5x50mm Mounting Screws (**W-B**) and a Phillips screwdriver.



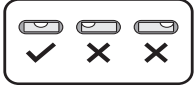
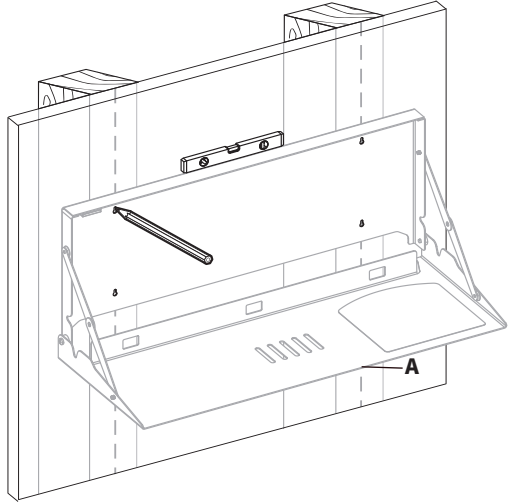
Proceed to Page 14 for  
**Keyboard Mounting**

# Wood Stud Wall | Assembly

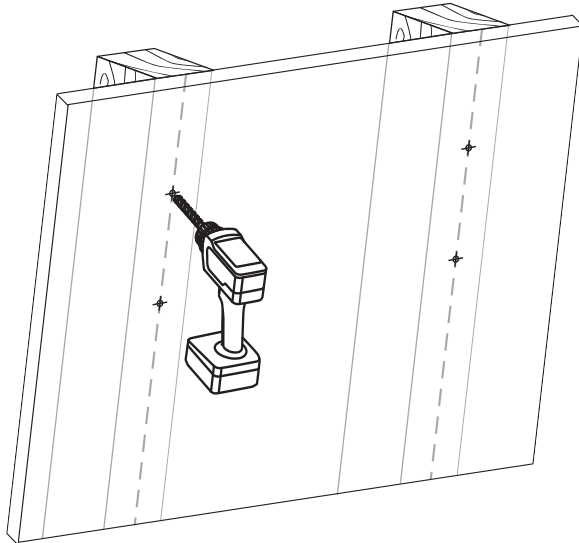
## STEP 1

Use a Stud Finder to locate studs. Hold Keyboard Tray (A) onto the wall while using a Level to make sure the Keyboard Tray is balanced.

Mark drilling locations on the narrow side of the holes using a Pencil.

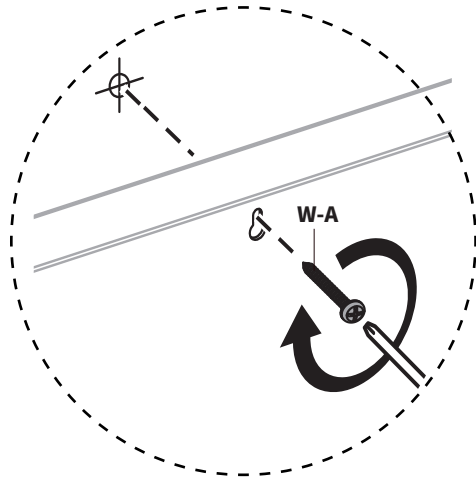
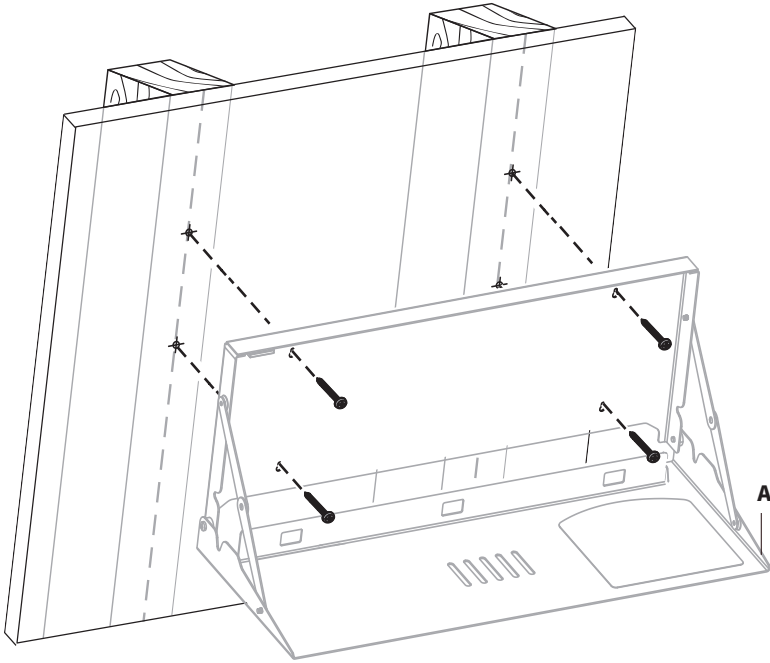


Using a Drill and a 1/8" (3mm) Drill Bit, drill approximately 1.64" (40mm) deep into marked locations.



## STEP 2

Secure Keyboard Tray (A) to wall using ST4.8x38mm (W-A) and a Phillips screwdriver.



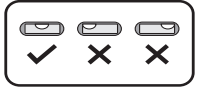
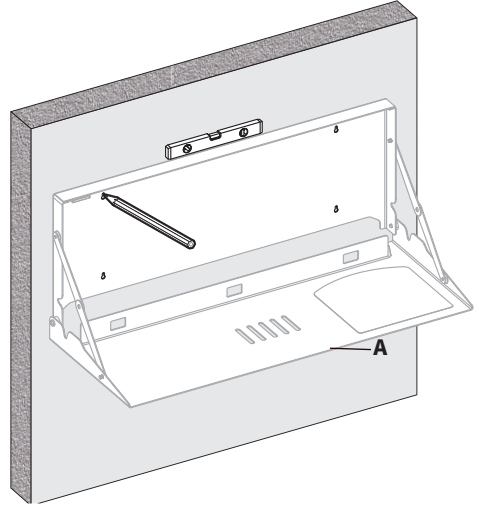
Proceed to Page 14 for  
**Keyboard Mounting**

## Concrete / Brick Wall | Assembly

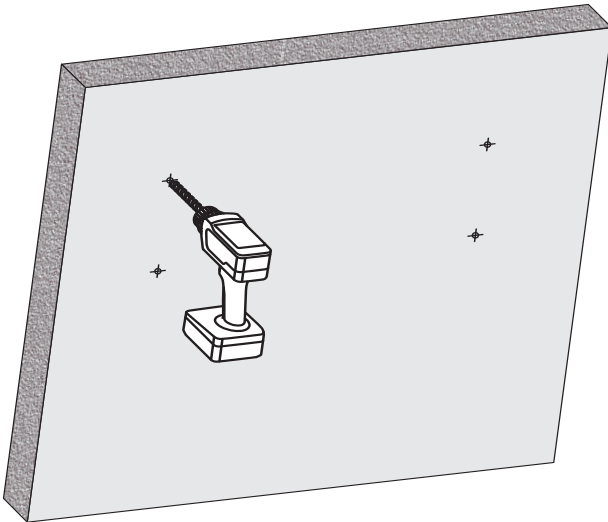
### STEP 1

Use a Stud Finder to locate studs. Hold Keyboard Tray (A) onto the wall while using a Level to make sure the Keyboard Tray is balanced.

Mark drilling locations on the narrow side of the holes using a Pencil.

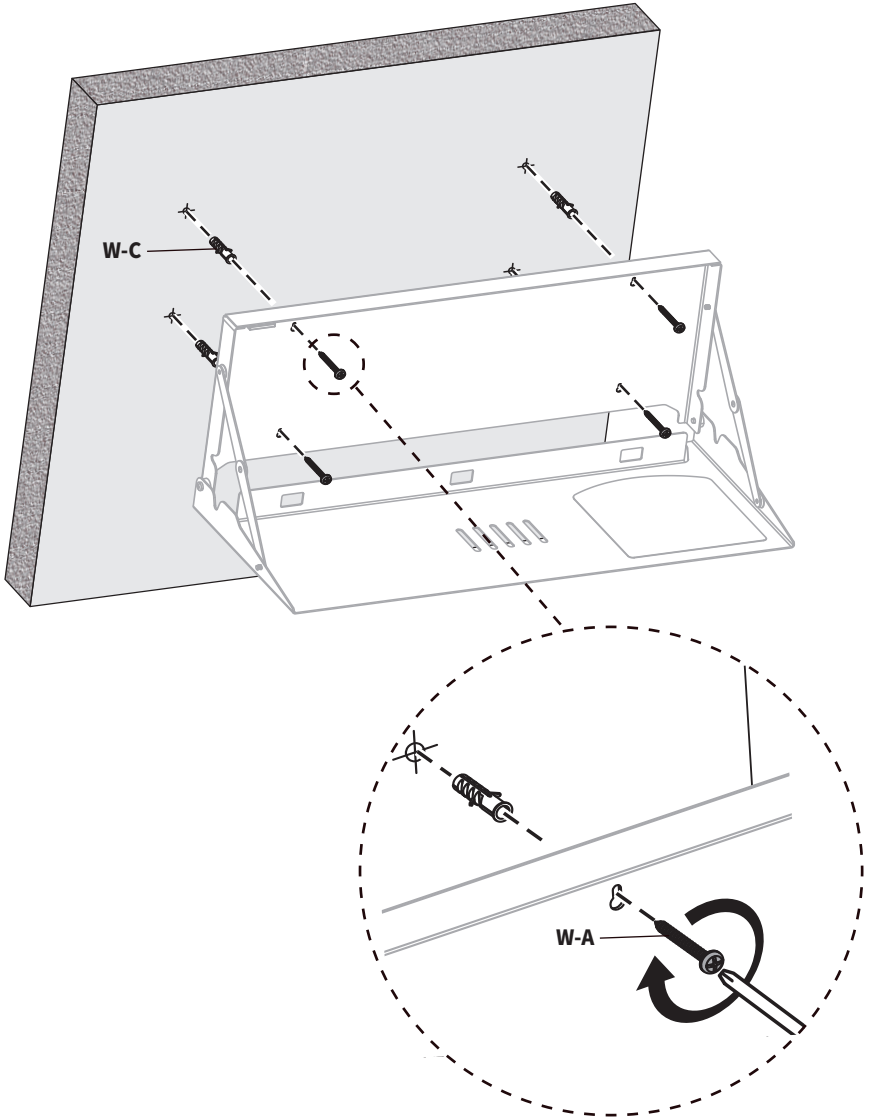


Using a drill and a 1/4" (6mm) Drill Bit, drill approximately 1.6" (40mm) deep into marked locations.



## STEP 2

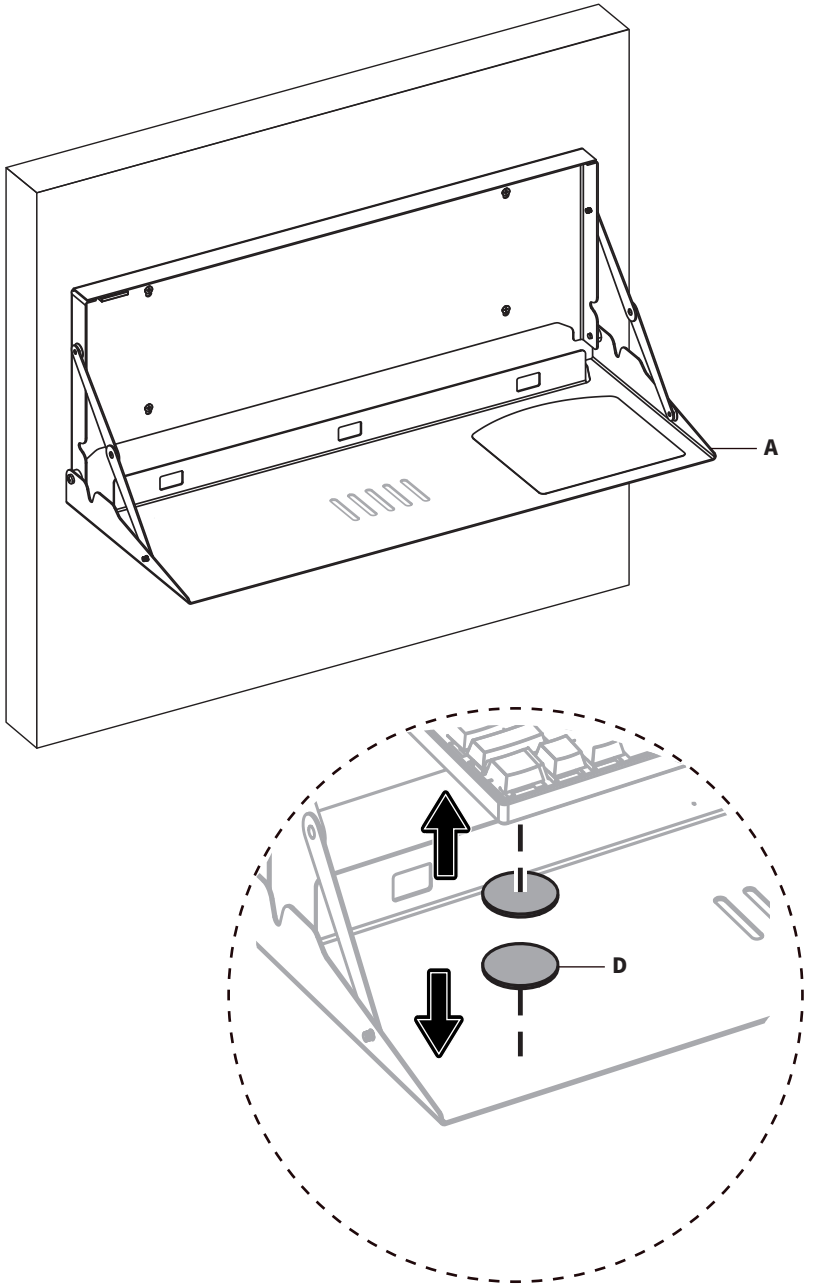
Press Concrete Anchors (**W-C**) into the drilled holes. Secure Keyboard Tray (**A**) to the wall using Mounting Screws (**W-A**) and a Phillips screwdriver.

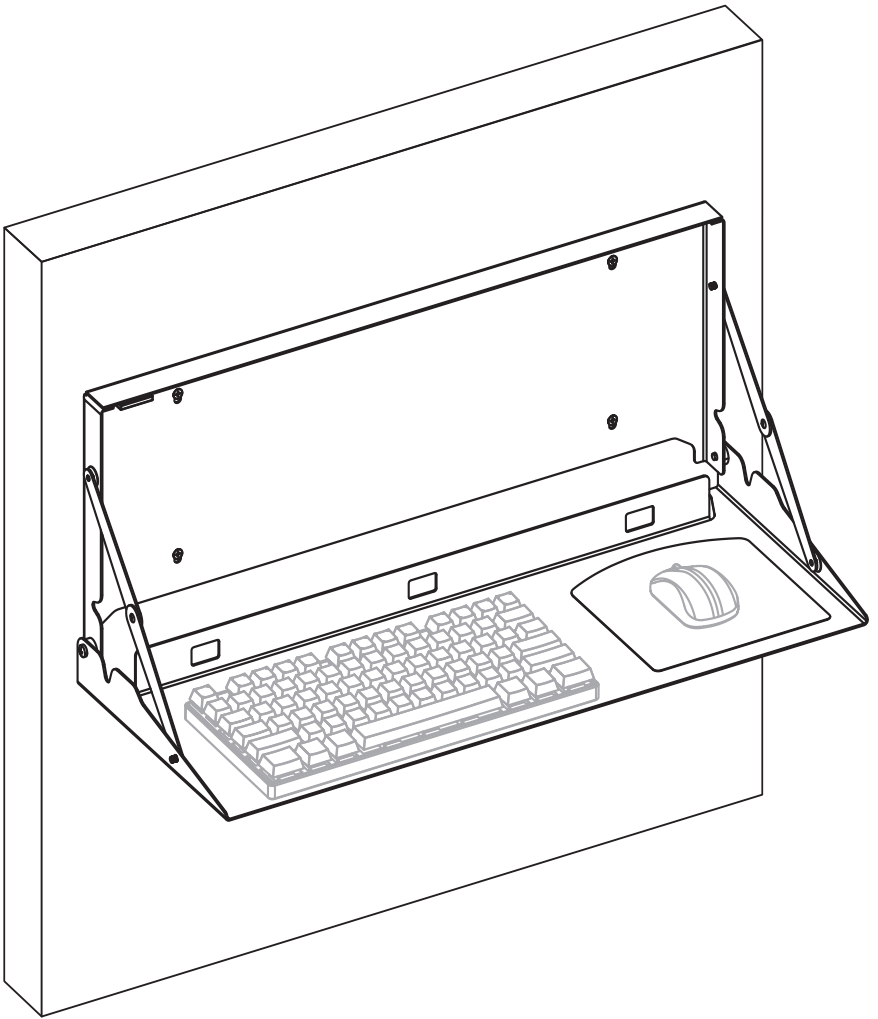


Proceed to Page 14 for  
**Keyboard Mounting**

## Keyboard Mounting | ALL ASSEMBLIES

Remove adhesive backing from Velcro Pads (D) and apply to the Keyboard Tray (A) and the bottom of your keyboard in matching positions. Press your keyboard onto the Keyboard Tray.





### ***Assembly Complete***

Installation is now complete and your Keyboard Tray is ready for use.  
The tray can support up to 22lbs/10kg.



## **Need Help? Get In Touch**

Monday-Friday from 7:00am-7:00pm CST



[help@vivo-us.com](mailto:help@vivo-us.com)



[www.vivo-us.com](http://www.vivo-us.com)

*Chat live with an agent!*



309-278-5303



**VIVO-us @vivo\_us**

FOR MORE GREAT VIVO PRODUCTS,  
CHECK OUT OUR WEBSITE AT: [WWW.VIVO-US.COM](http://WWW.VIVO-US.COM)