

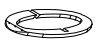

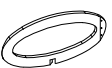






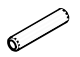



ASSEMBLY INSTRUCTION

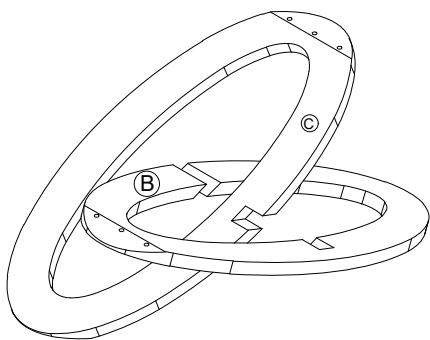
ITEM NO: FSH2500 COFFEE TABLE

Thank you for purchasing this quality product. Be sure to check all packing material carefully for small parts which may have come loose inside the carton during shipment. Separate, identify and count all parts and metal hardware. Compare with parts list to be sure all parts are present. If any part(s) are missing or damaged, please contact your local furniture dealer. For efficient and speedy service, please indicate the model number and code letter of part(s) needed.

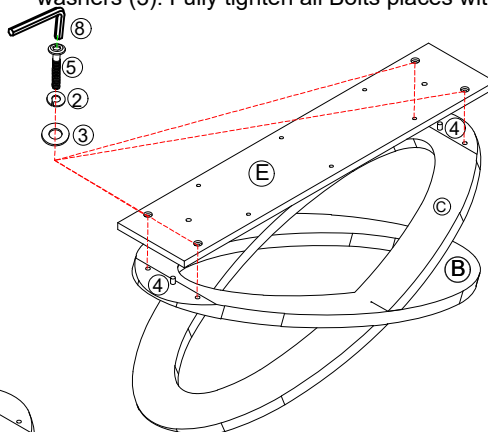
*** Do not fully tighten screws until fully assembled ***

No.	COMPONENT LIST	Q'ty	No.	COMPONENT LIST	Q'ty
A	 TABLE TOP	1pc	D	 TABLE STAND	1pc
B	 LEG 1	1pc	E	 PANEL CONNECT	1pc
C	 LEG 2	1pc			
No.	HARDWARE LIST	Q'ty	No.	HARDWARE LIST	Q'ty
1	 Bolts 1/4x2"	4pcs	5	 Bolts 1/4x1.4"	10pcs
2	 Lock Washer 1/4	14pcs	6	 Bolts 1/4x0.6"	12pcs
3	 Flat Washer 1/4	14pcs	7	 BRACKET	2pcs
4	 Wood Dowel $\varnothing 0.4 \times 1.2$ "	6pcs	8	 Allen key K4	1pc

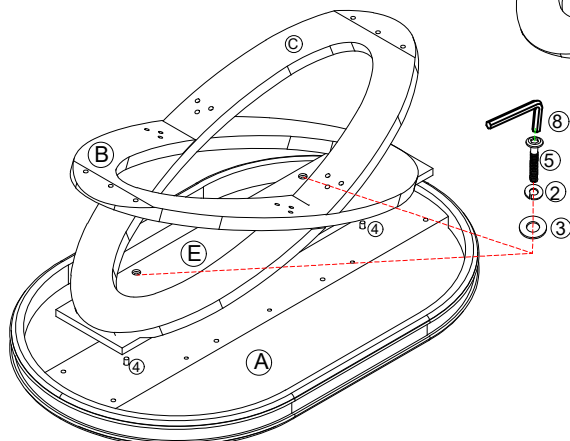
Step 1: Align and place part (B) to slot (C) .



Step 2: Assembly part (E) to (B),(C). Use Wood dowel (4) Positioning. Then use Bolts (5), Lock washers (2), Flat washers (3). Fully tighten all Bolts places with Allen key (8).



Step 3: Assembly part (E) to (A). Use Wood dowel (4) Positioning. Then use Bolts (5), Lock washers (2), Flat washers (3). Fully tighten all Bolts places with Allen key (8).



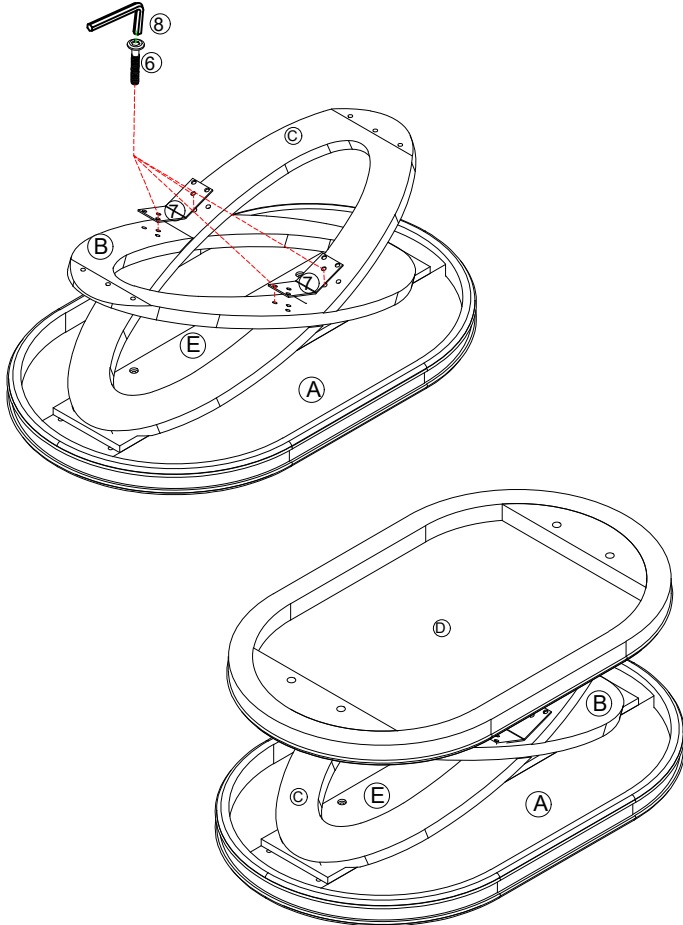
ASSEMBLY INSTRUCTION

ITEM NO: FSH2500 COFFEE TABLE

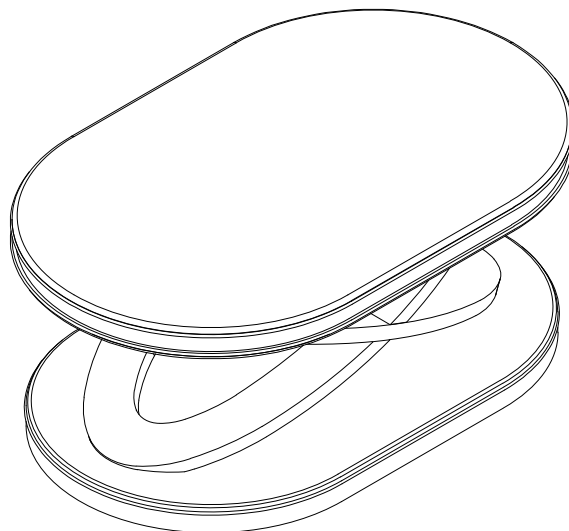
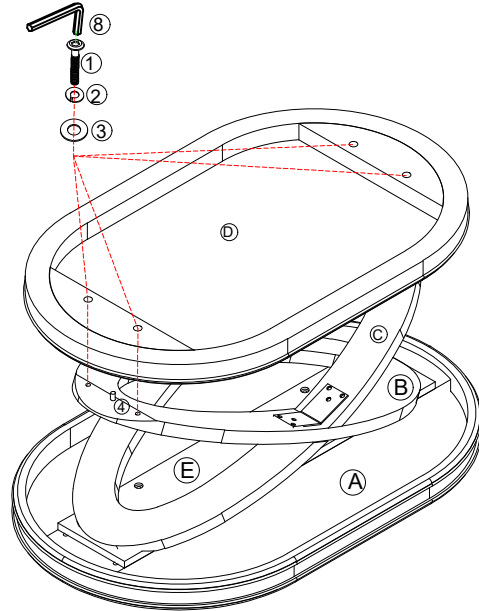
Thank you for purchasing this quality product. Be sure to check all packing material carefully for small parts which may have come loose inside the carton during shipment. Separate, identify and count all parts and metal hardware. Compare with parts list to be sure all parts are present. If any part(s) are missing or damaged, please contact your local furniture dealer. For efficient and speedy service, please indicate the model number and code letter of part(s) needed.

***** Do not fully tighten screws until fully assembled *****

Step 4: Assembly bracket(7) with Bolts (6). Fully tighten all Bolts places with Allen key (8) .



Step 5: Assembly part (D) to (B),(C). Use Wood dowel (4) Positioning. Then use Bolts (1), Lock washers (2), Flat washers (3). Fully tighten all Bolts places with Allen key (8).



**FINISH .
THANK YOU !**