

ASSEMBLY INSTRUCTION

Thank you for purchasing this quality product. Be sure to check all packing material carefully for small parts which may have come loose inside the carton during shipment. Separate, identify and count all parts and hardware. Compare with the parts list to be sure all parts are present.

IMPORTANT : PLEASE READ INSTRUCTION BEFORE STARTING THE ASSEMBLY.

"DO NOT TIGHTEN SCREWS UNTIL COMPLETELY ASSEMBLED"

"DO NOT OVERTIGHT ANY HARDWARE"

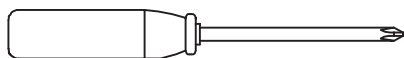
WARNING : SMALL PARTS AND HARDWARE NOT FOR CHILDREN UNDER 3 YEARS. ADULT ASSEMBLY REQUIRED.

TABLE OF CONTENTS

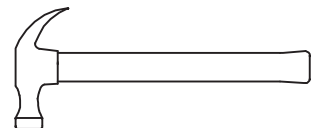
HARDWARES LIST	PAGE 2 - 3
PARTS LIST	PAGE 3 - 5
PARTS' LOCATION	PAGE 6 - 7
ASSEMBLY STEPS	PAGE 6 - 16
ASSEMBLY COMPLETED	PAGE 16

ASSEMBLY TOOLS REQUIRED

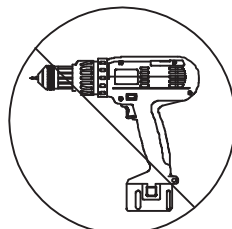
1. Screwdriver (not provide)



2. Hammer (not provide)



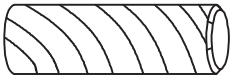

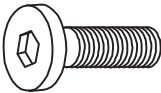
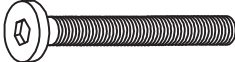





Skip the power trip this time.



ASSEMBLY INSTRUCTION



HARDWARES LIST

ITEM	DESCRIPTION	DRAWING	QTY
A	MINIFIX CAM LOCK		6 PCS
B	MINIFIX CAM BOLT		6 PCS
C	WOOD DOWEL (M8 x 30MM)		8 PCS
D	WOOD DOWEL (M6 x 30MM)		8 PCS
E	JCBC SCREW M8 x 20MM		8 PCS
F	JCBC SCREW M6 x 50MM		22 PCS
G	SPRING WASHER M6 x 13MM		18 PCS
H	FLAT WASHER M6 x 19MM		18 PCS
I	CSK C/B SCREW (M4 x 32MM)		6 PCS

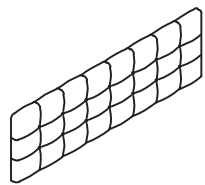
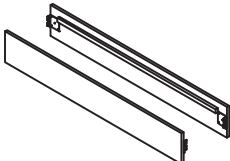
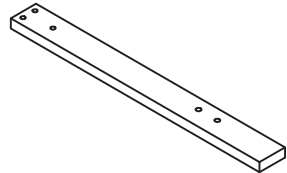
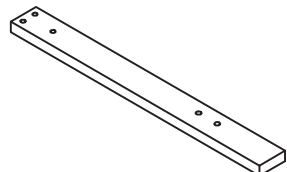
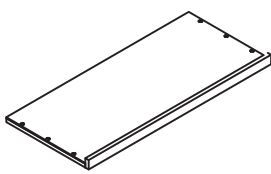
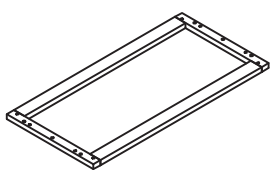
MORE HARDWARES DETAIL IN NEXT PAGE...

ASSEMBLY INSTRUCTION

HARDWARES LIST

ITEM	DESCRIPTION	DRAWING	QTY
J	M4 ALLEN KEY (100MM)		1 PC
K	M5 ALLEN KEY (65MM)		1 PC

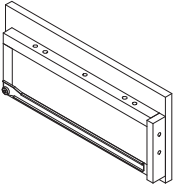
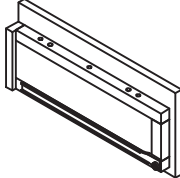
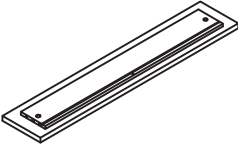
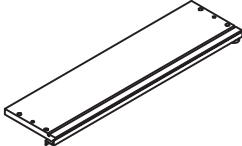
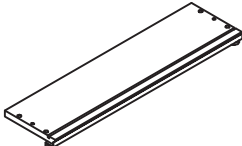
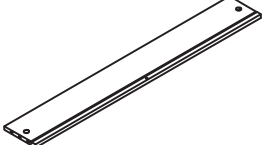
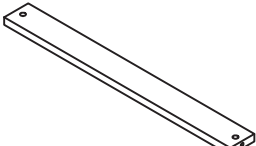
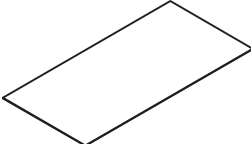
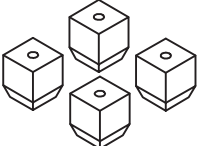
PARTS LIST

ITEM	DESCRIPTION	DRAWING	QTY
1	HEADBOARD		1 PC
2	SIDE RAIL		2 PCS
3	HEADBOARD LEG WITH LABEL "L"		1 PC
4	HEADBOARD LEG WITH LABEL "R"		1 PC
5	FOOTBOARD TOP PANEL		1 PC
6	FOOTBOARD BOTTOM PANEL		1 PC

MORE PARTS DETAIL IN NEXT PAGE...

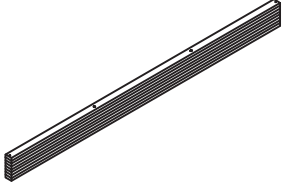
ASSEMBLY INSTRUCTION

PARTS LIST

ITEM	DESCRIPTION	DRAWING	QTY
7	FOOTBOARD SIDE PANEL LEFT		1 PC
8	FOOTBOARD SIDE PANEL RIGHT		1 PC
9	DRAWER HEAD		1 PC
10	DRAWER SIDE LEFT		1 PC
11	DRAWER SIDE RIGHT		1 PC
12	DRAWER BACK		1 PC
13	DRAWER SUPPORT		1 PC
14	DRAWER PANEL		1 PC
15	FOOTBOARD LEG		4 PCS

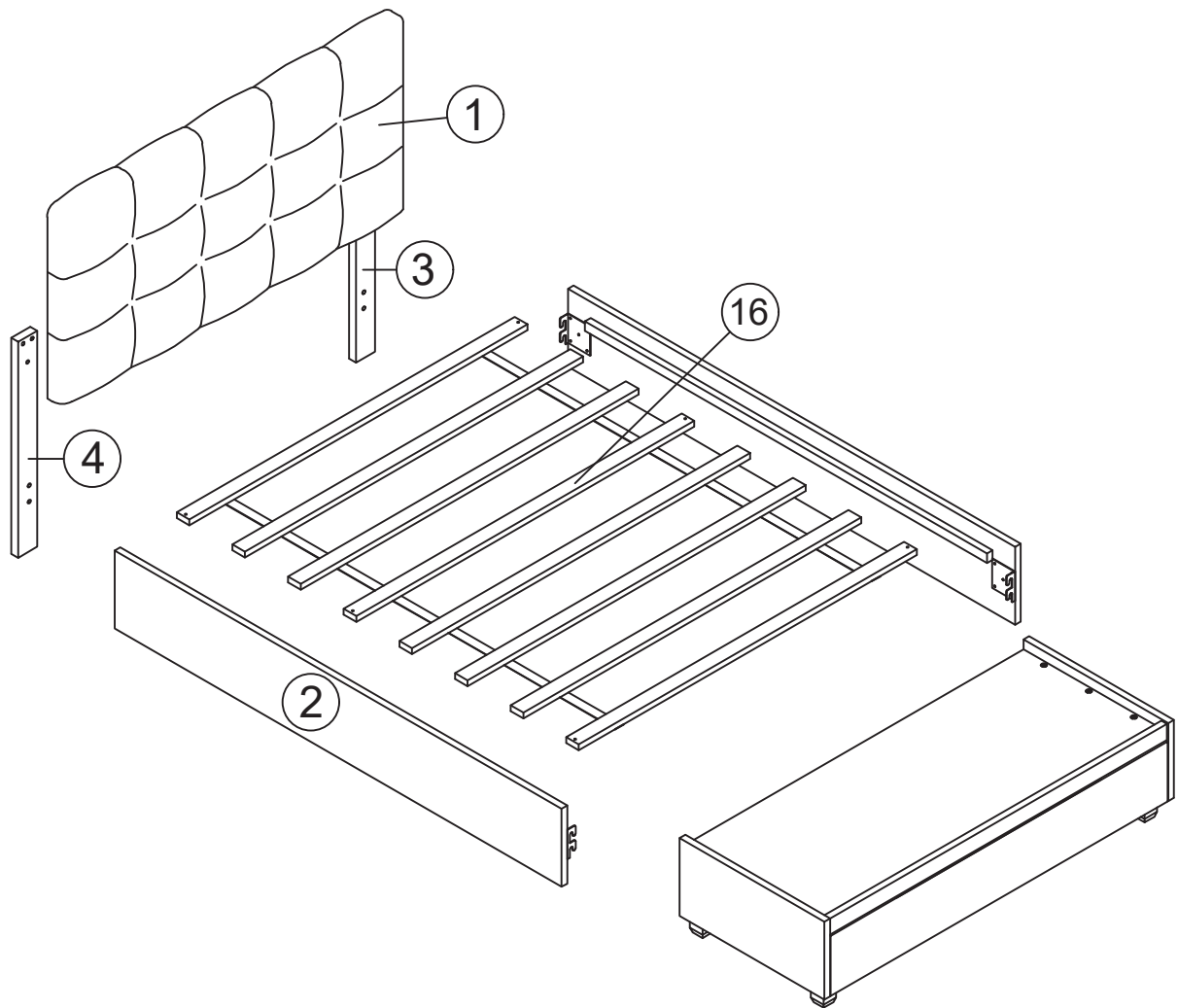
ASSEMBLY INSTRUCTION

PARTS LIST

ITEM	DESCRIPTION	DRAWING	QTY
16	SLAT (8PCS)		8 PCS

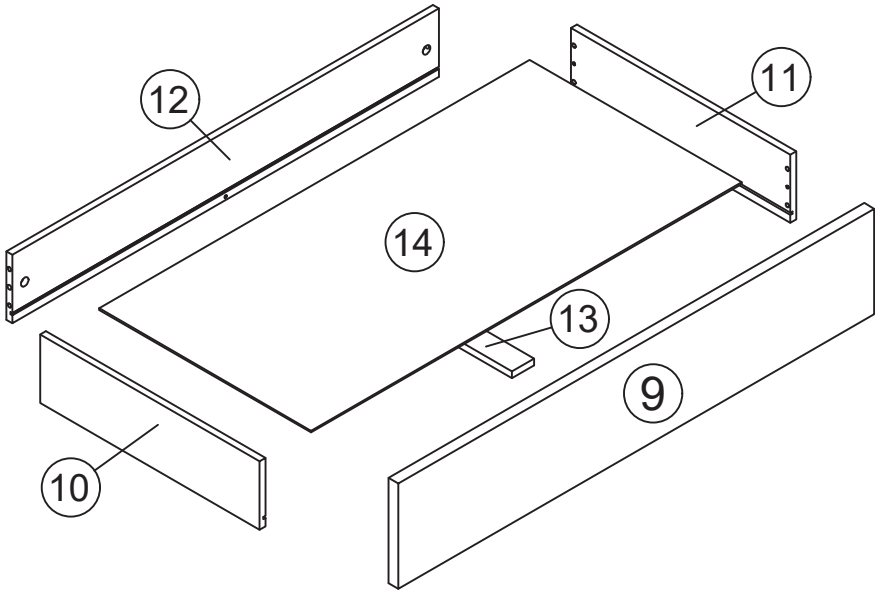
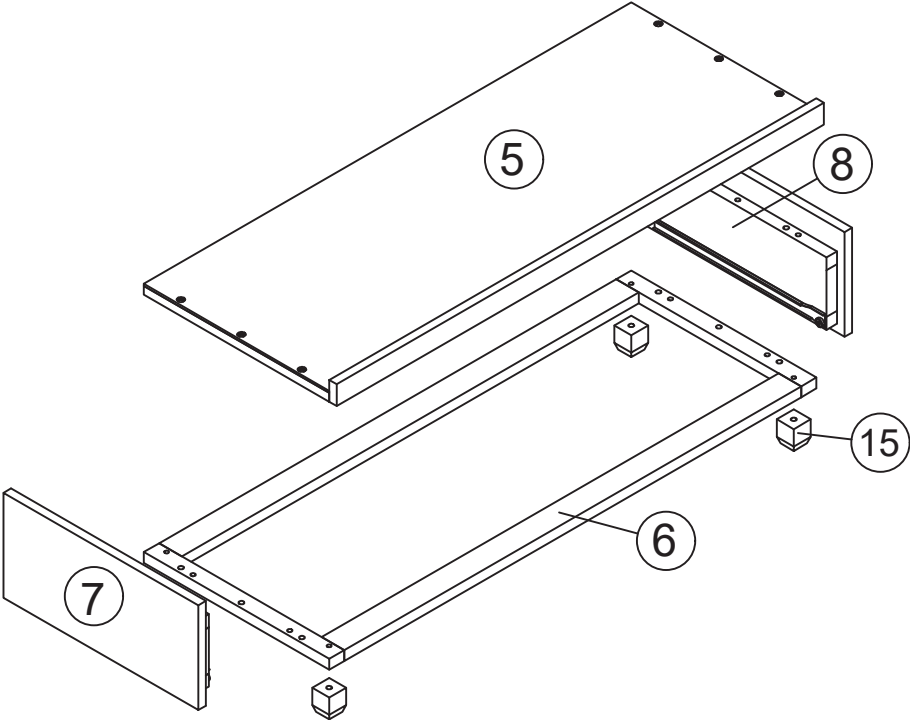
ASSEMBLY INSTRUCTION

PARTS ' LOCATION



ASSEMBLY INSTRUCTION

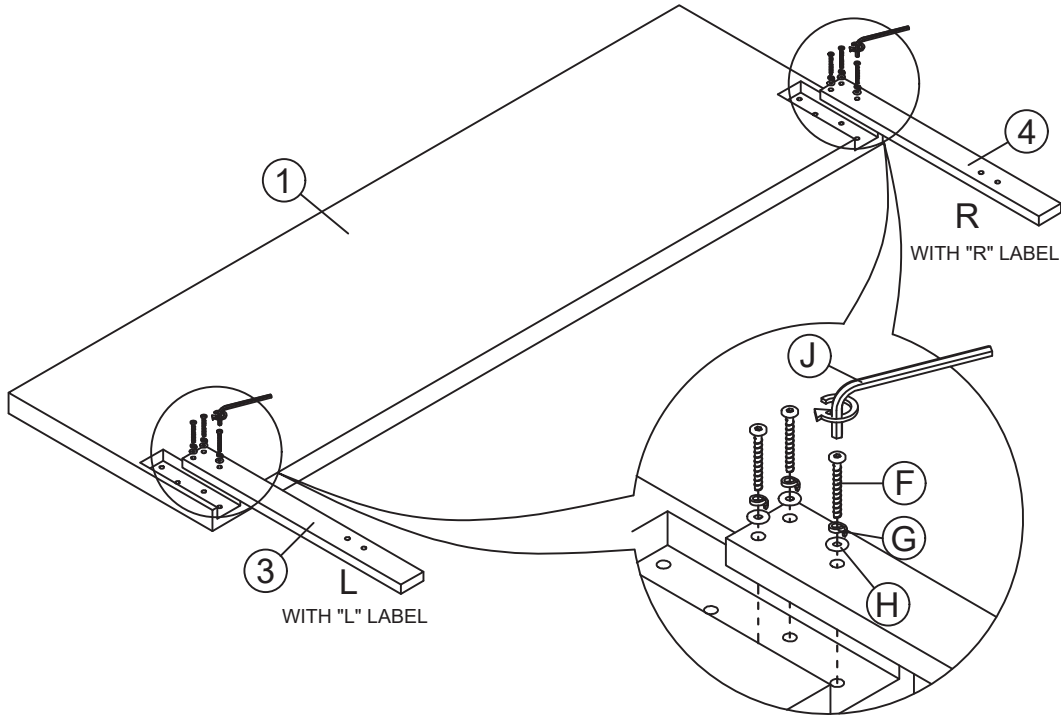
PARTS ' LOCATION



ASSEMBLY INSTRUCTION

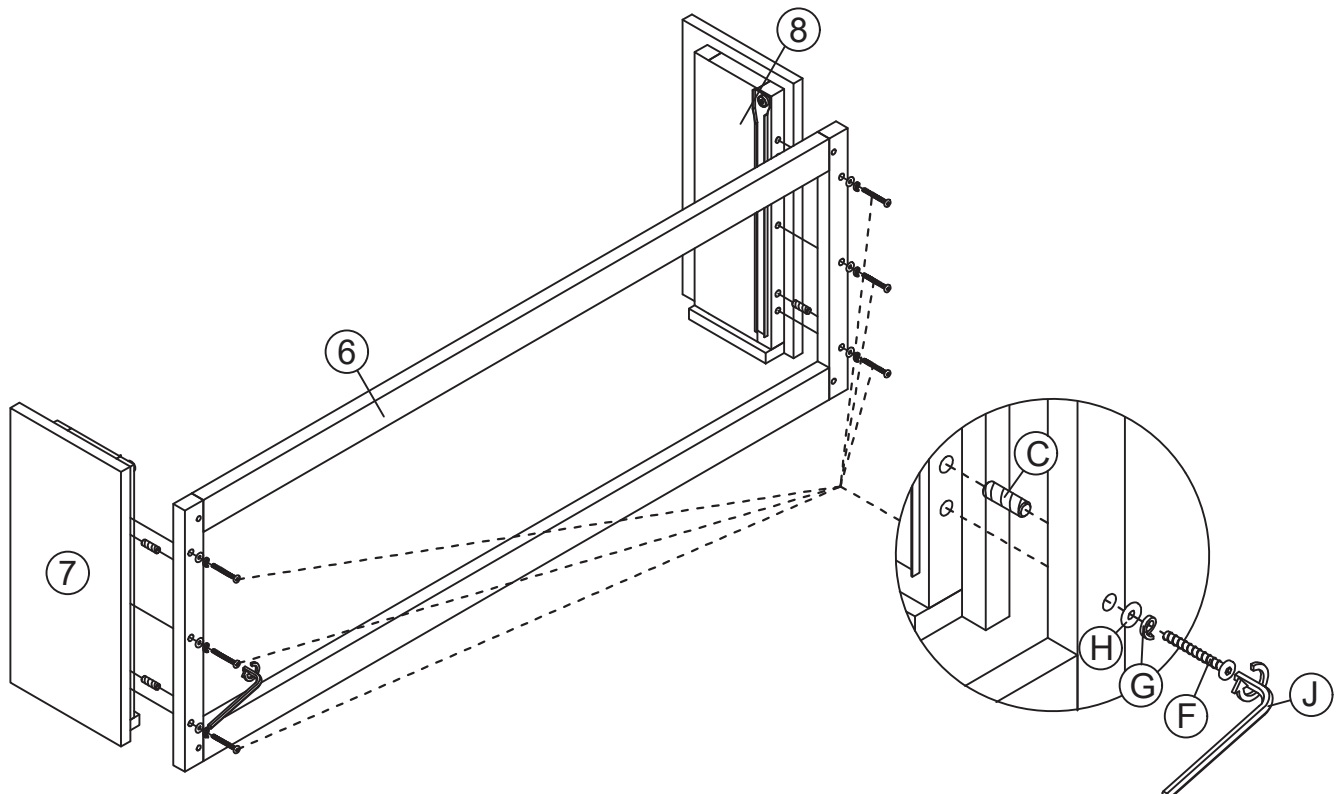
STEP 1

Insert 6pcs (F) , (G) and (H) to combine (3) and (4) to the (1) as shown.



STEP 2

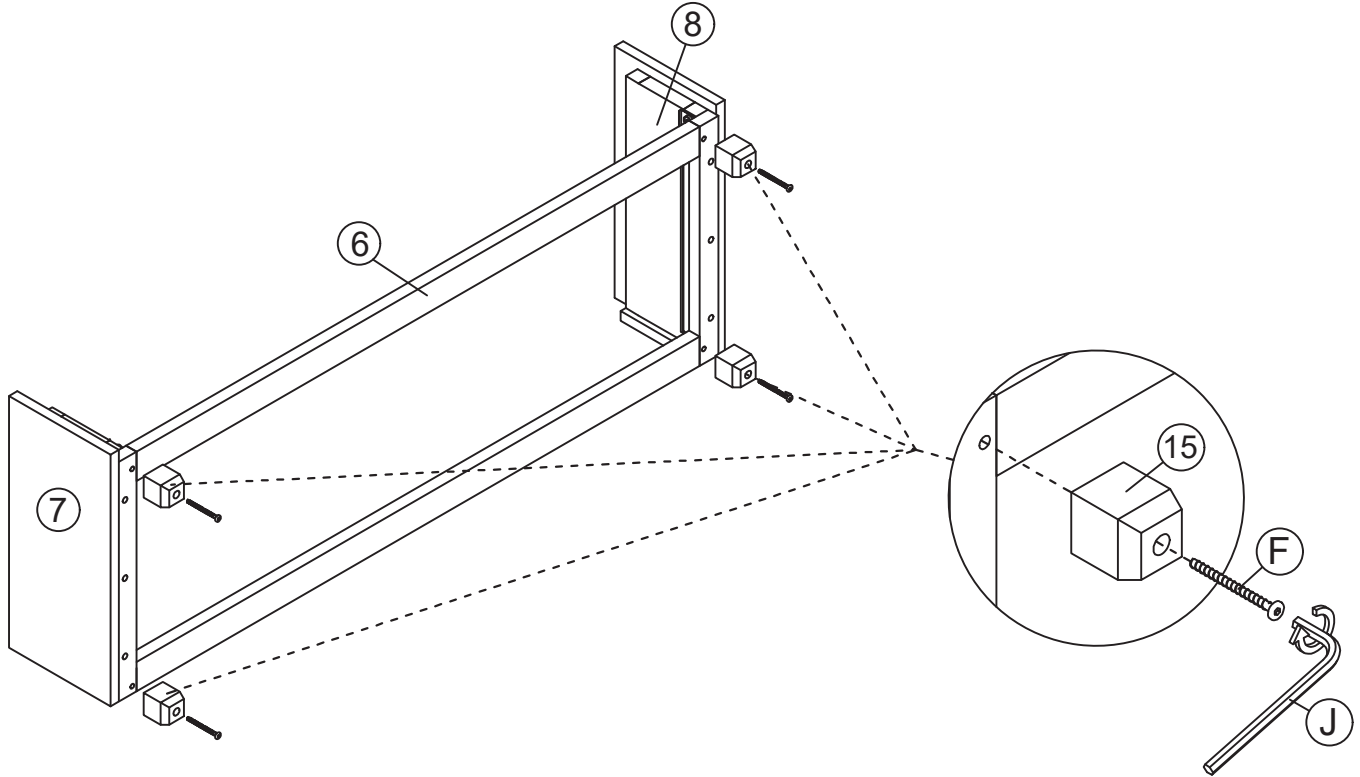
Insert 4pcs (C) and 6pcs (F) , (G) , (H) to combine (6) to (7) and (8) as shown.



ASSEMBLY INSTRUCTION

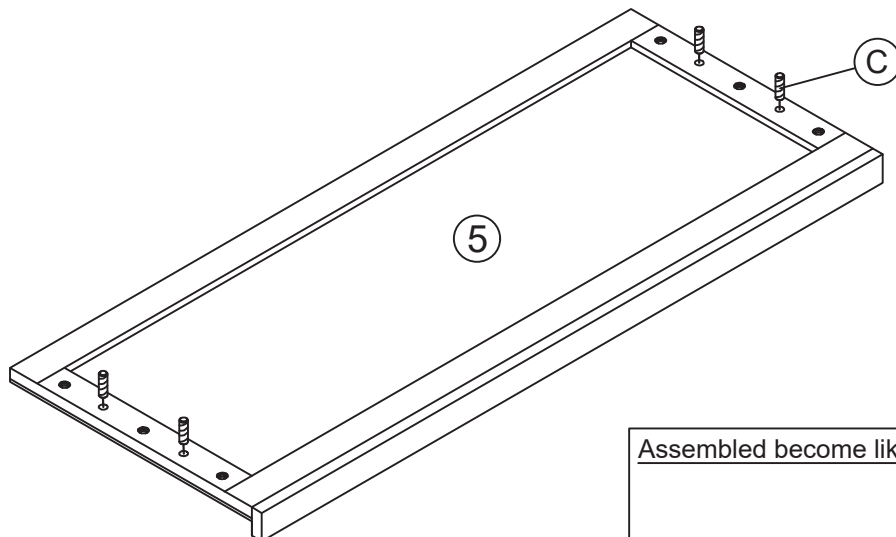
STEP 3

Insert 4pcs (F) to combine 4pcs (15) to the (6) as shown.

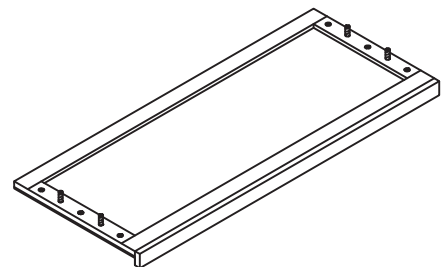


STEP 4

Insert 4pcs (C) to the (5) as shown.



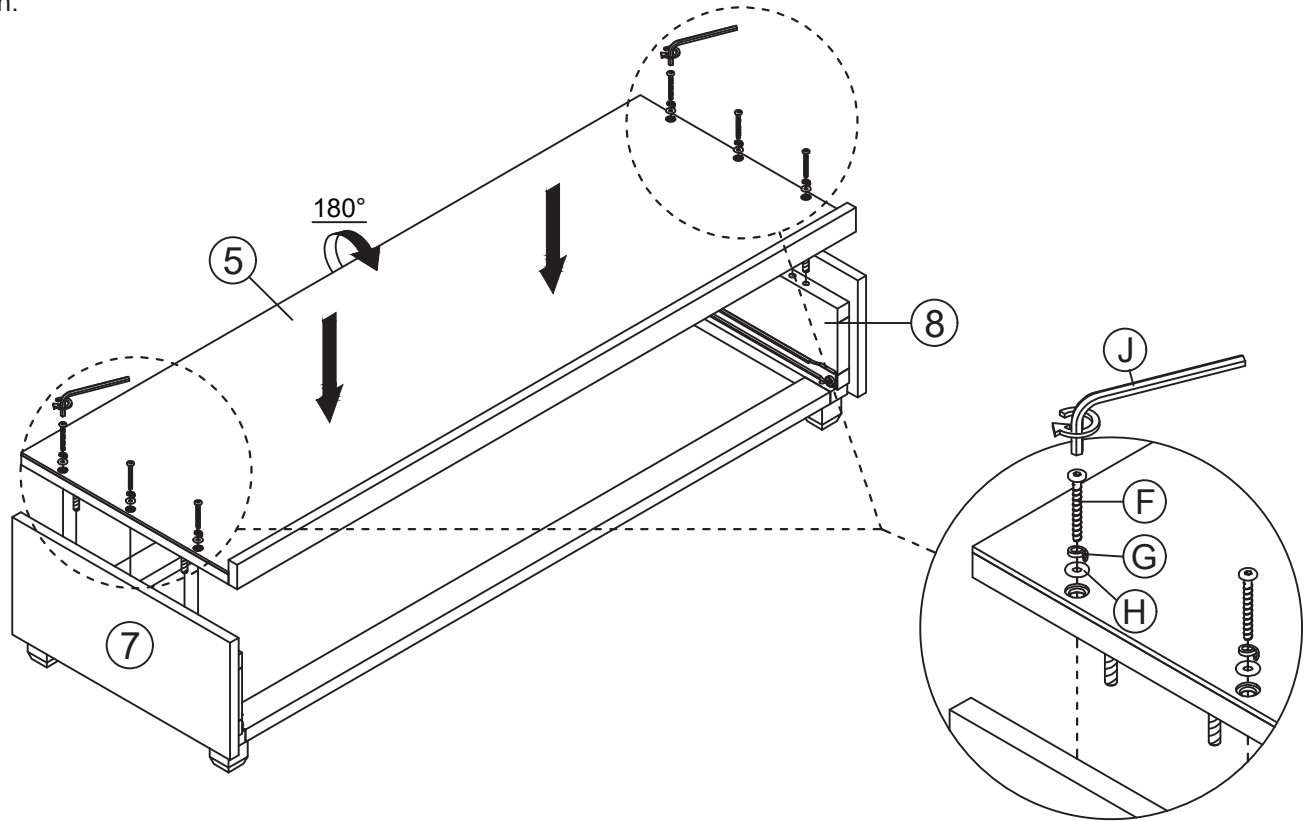
Assembled become like this.



ASSEMBLY INSTRUCTION

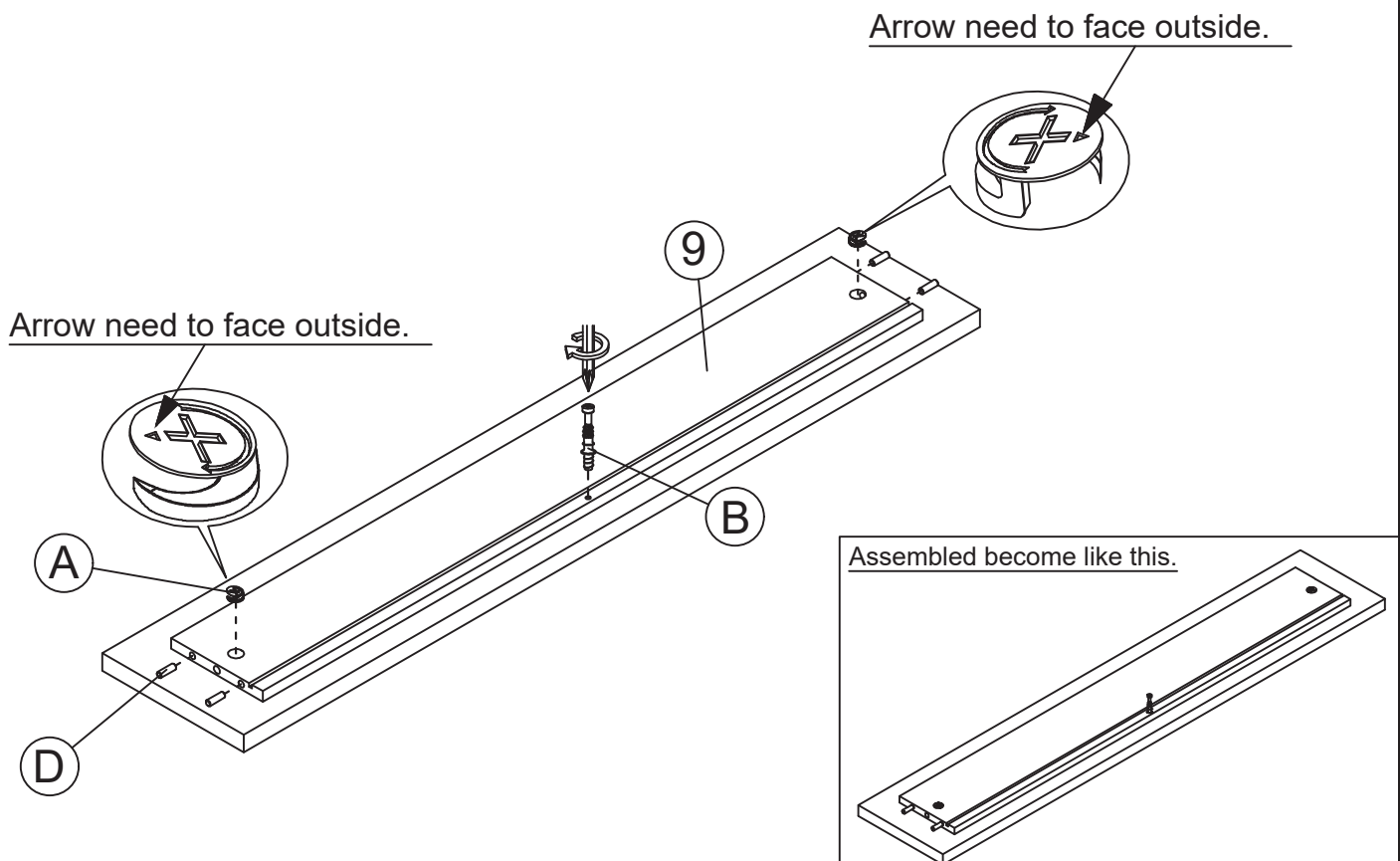
STEP 5

Insert 6pcs (F) , (G) and (H) to combine (5) to (7) and (8) as shown.



STEP 6

Insert 2pcs (A), 1pc (B) and 4pcs (D) to the (9) as shown.

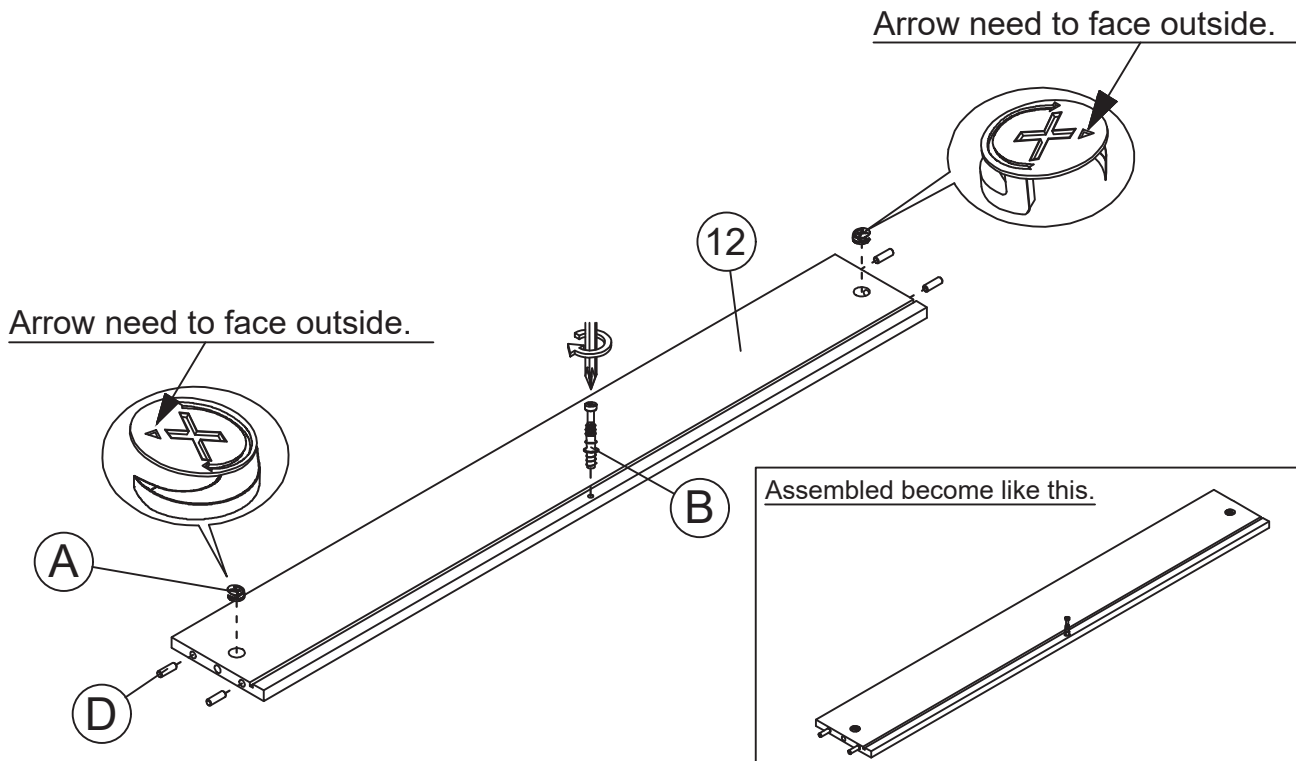


ASSEMBLY INSTRUCTION

ASSEMBLY STEPS

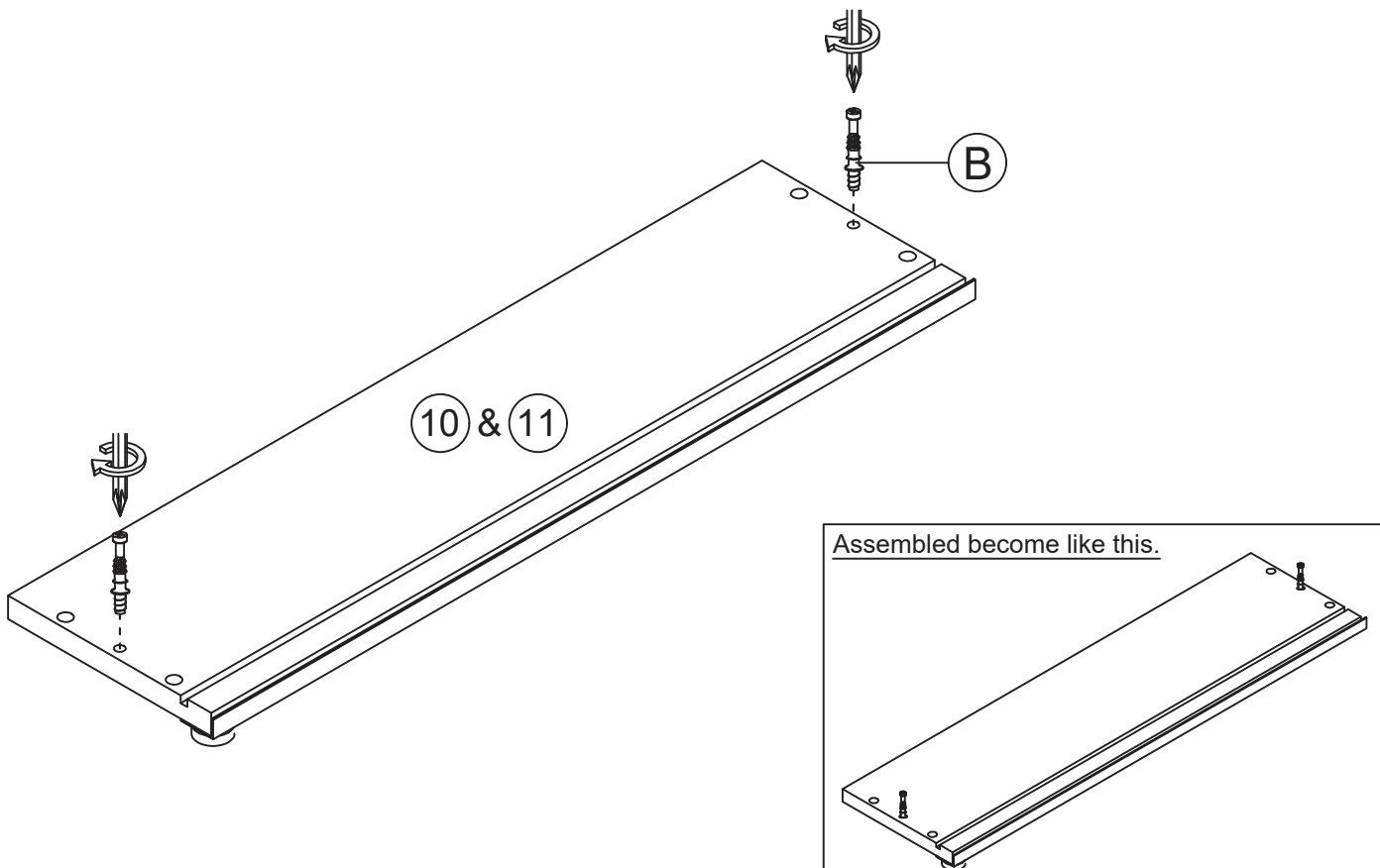
STEP 7

Insert 2 pcs (A) , 1pc (B) and 4pcs (D) to the (12) as shown.



STEP 8

Insert 2pcs (B) to the (10) and (11) as shown.

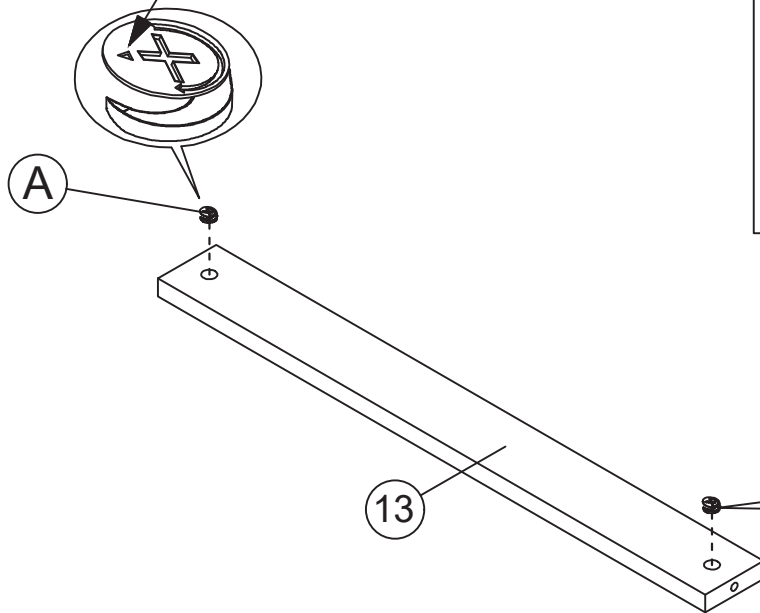


ASSEMBLY INSTRUCTION

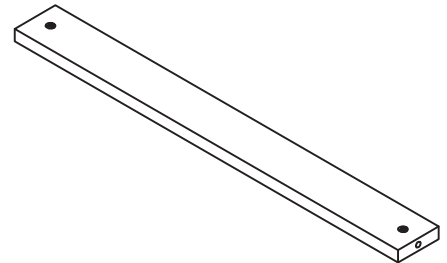
STEP 9

Insert 2pcs (A) to the (13) as shown

Arrow need to face outside.



Assembled become like this.

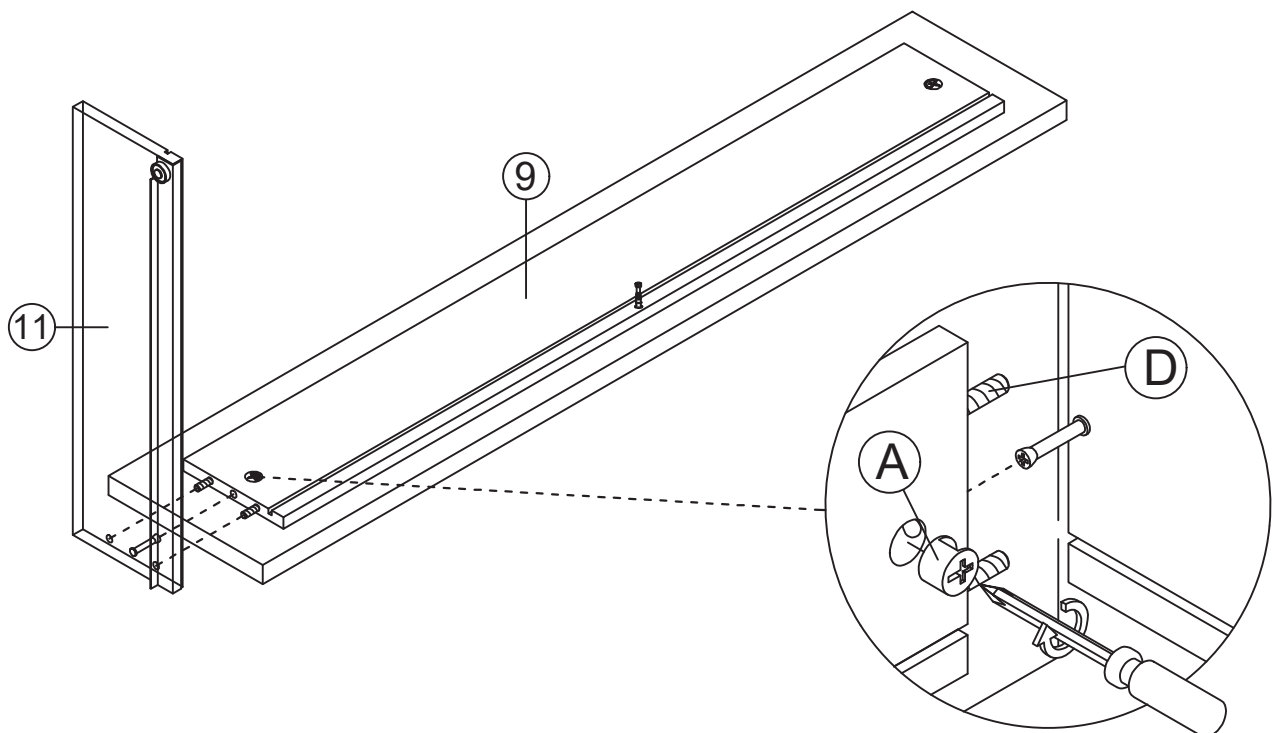


Arrow need to face outside.



STEP 10

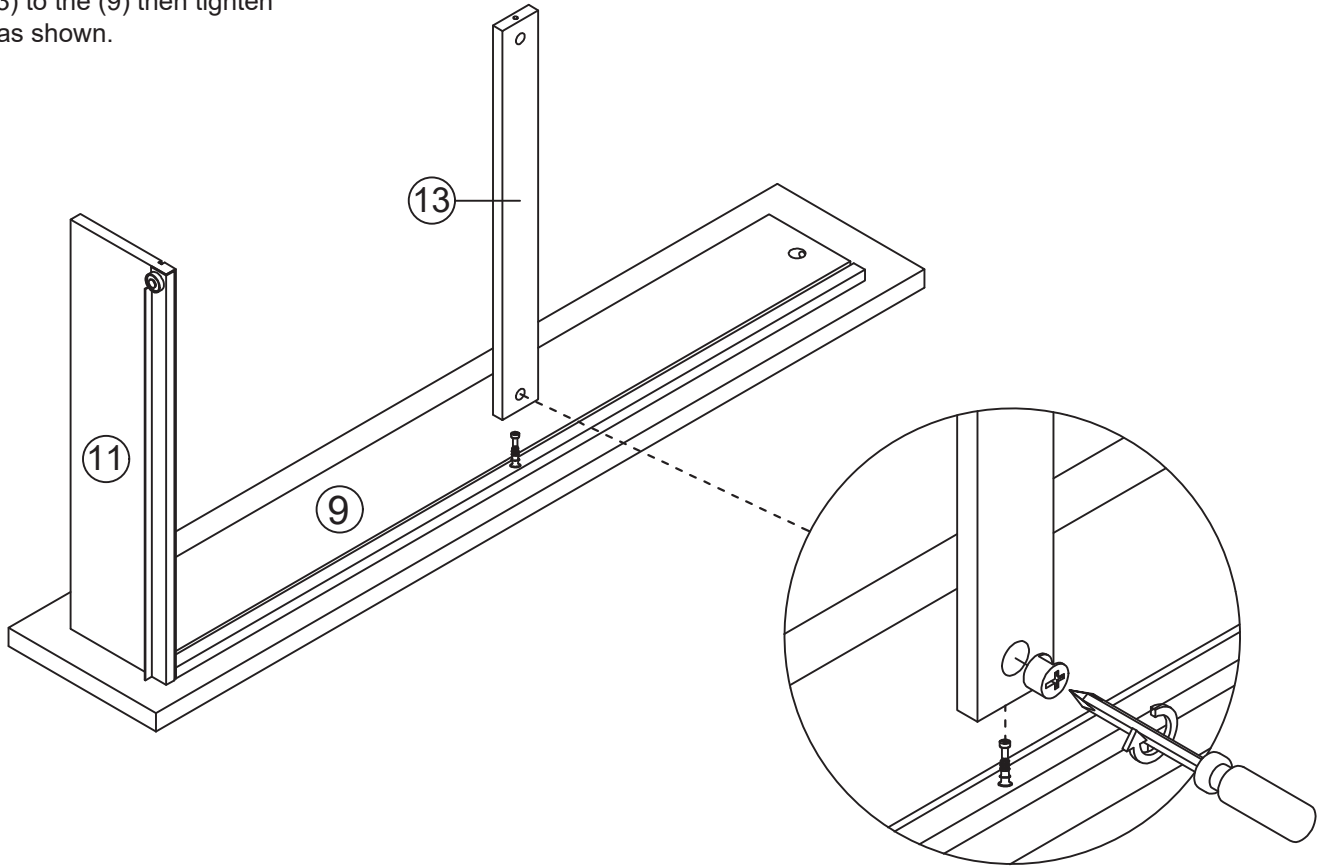
Combine (11) to the (9) then tighten the 1pc (A) as shown.



ASSEMBLY INSTRUCTION

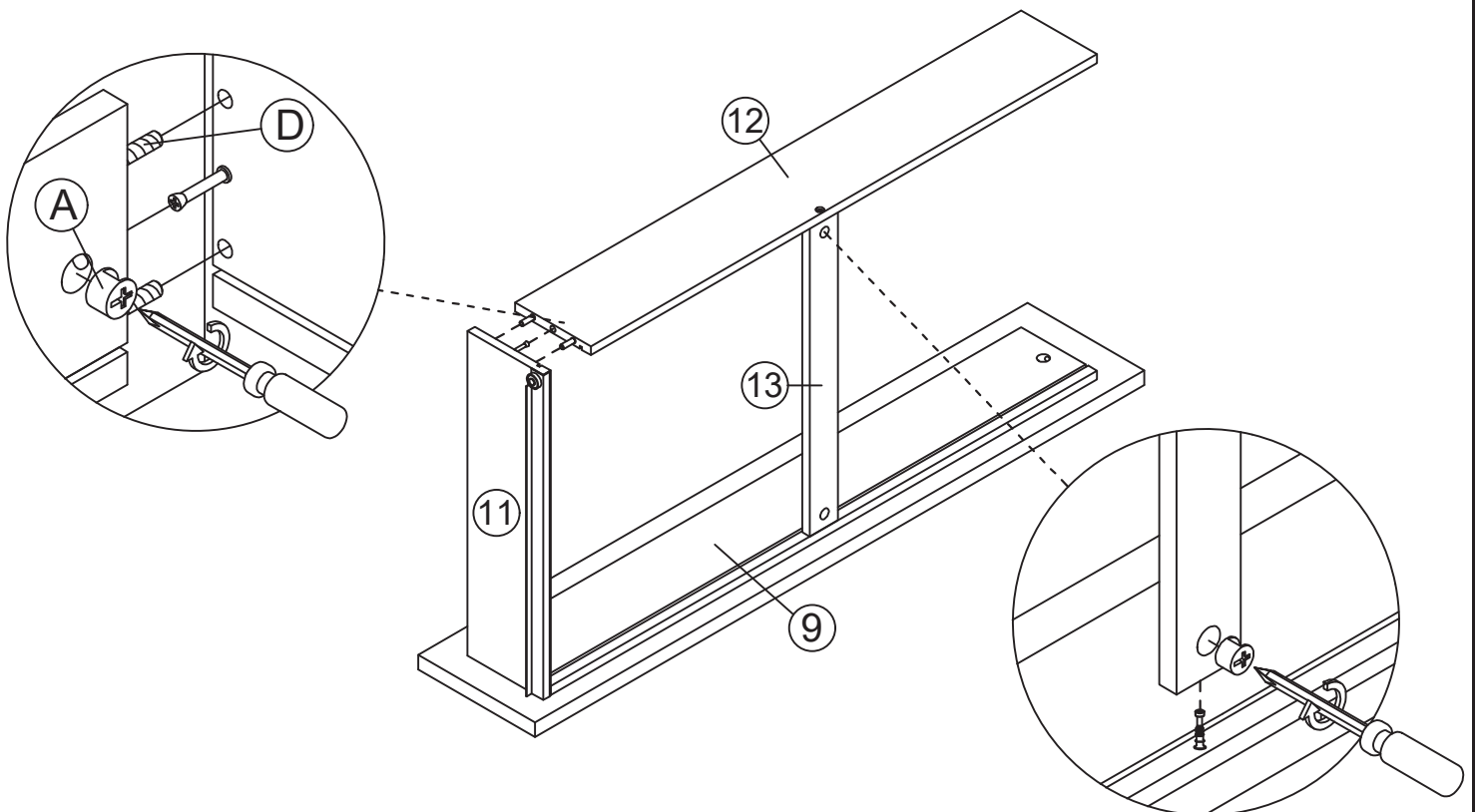
STEP 11

Combine (13) to the (9) then tighten the 1pc (A) as shown.



STEP 12

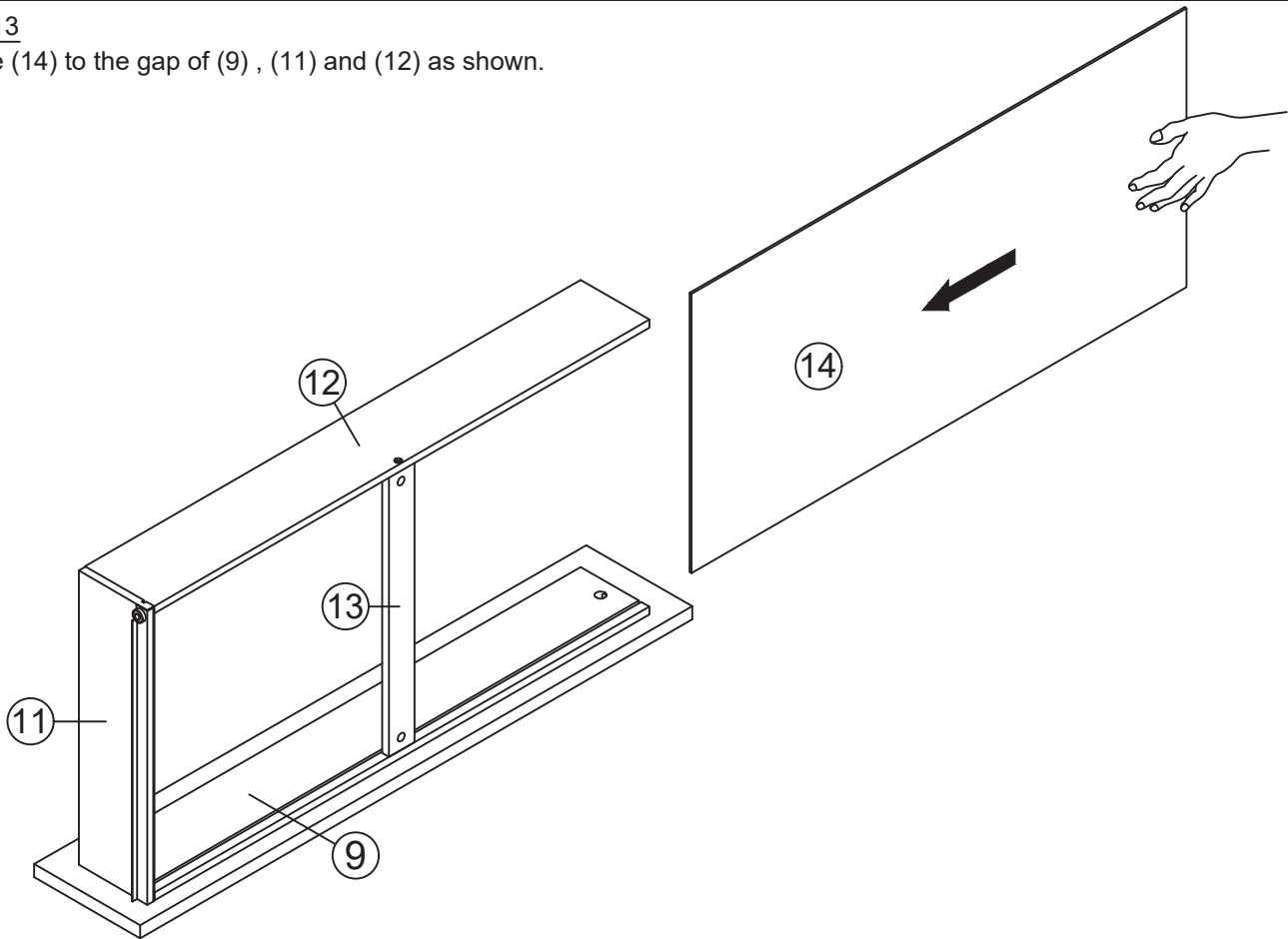
Combine (12) to the (11) and (13) then tighten the 2pcs (A) as shown.



ASSEMBLY INSTRUCTION

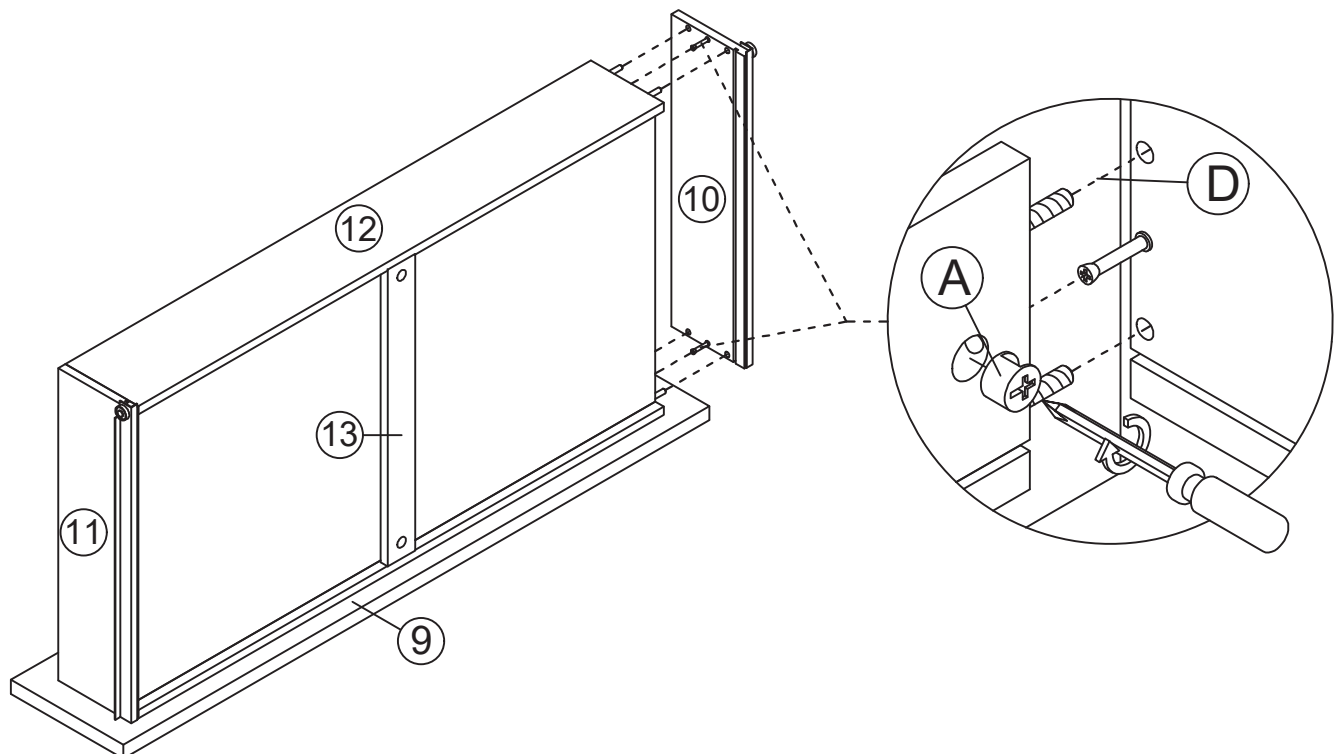
STEP 13

Put the (14) to the gap of (9) , (11) and (12) as shown.



STEP 14

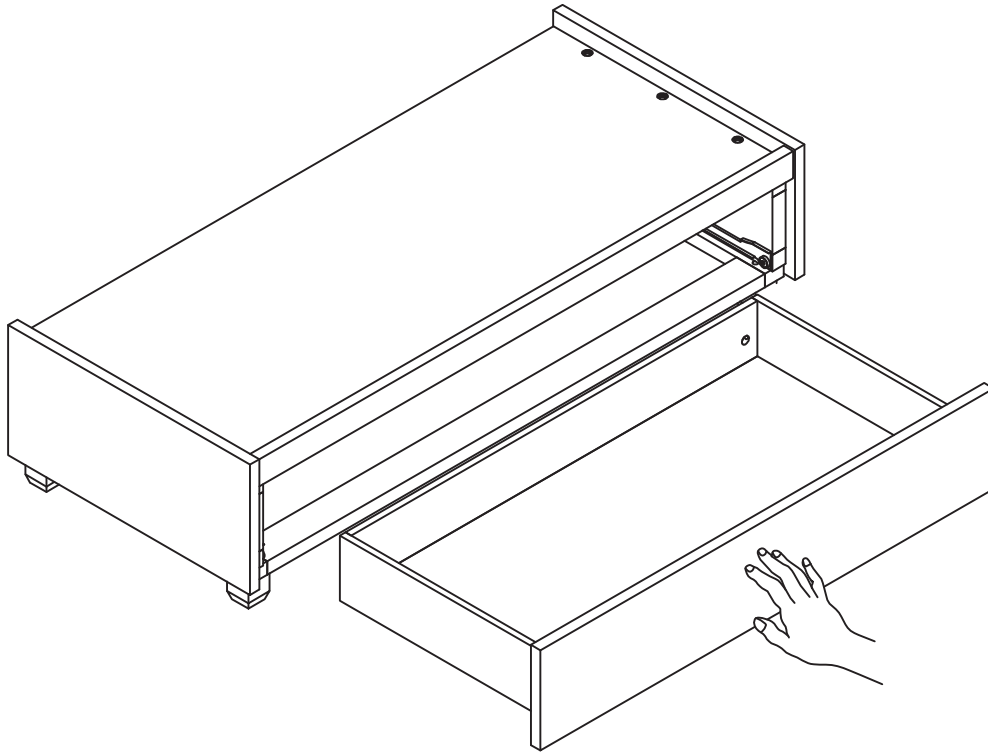
Combine (10) to the (9) and the (12) then tighten 2pcs (A) as shown.



ASSEMBLY INSTRUCTION

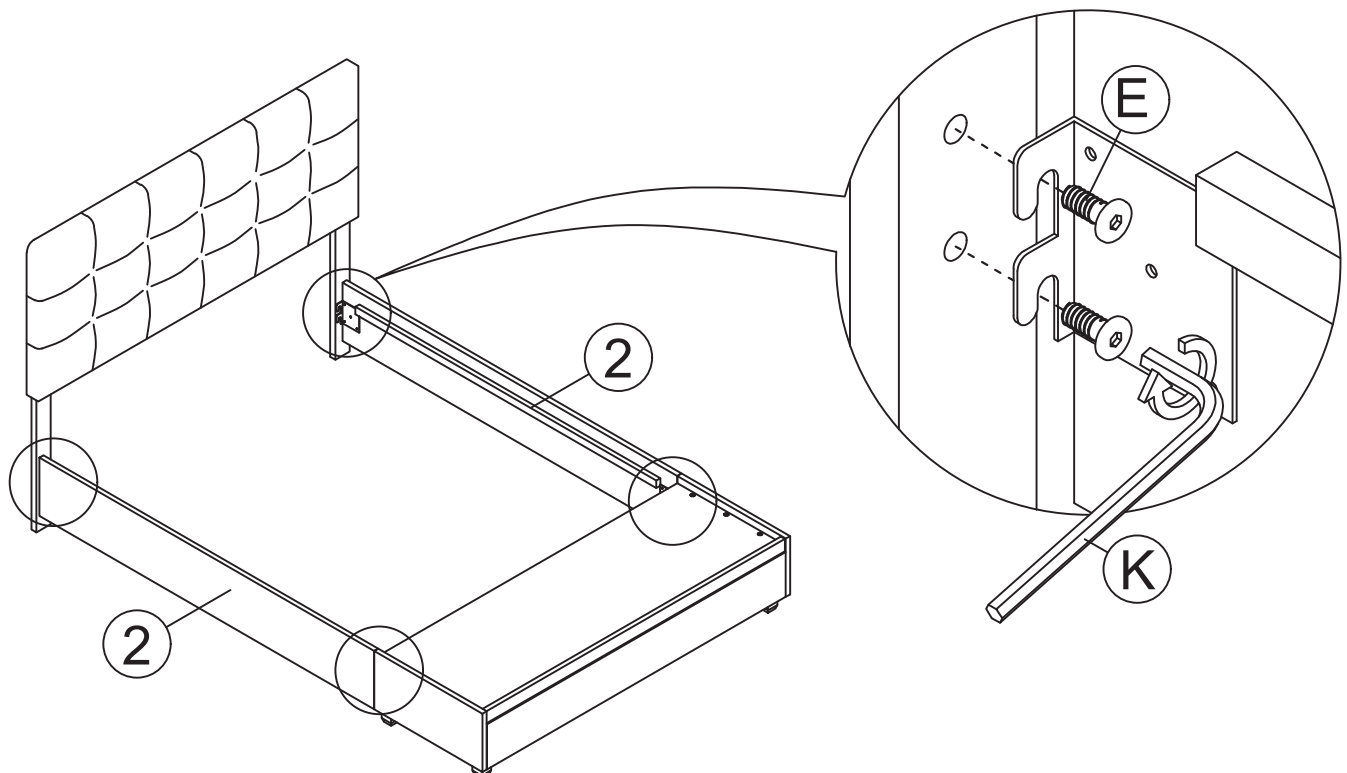
STEP 15

Align the position the push the 1pc drawer to inside exactly by your hand as shown.



STEP 16

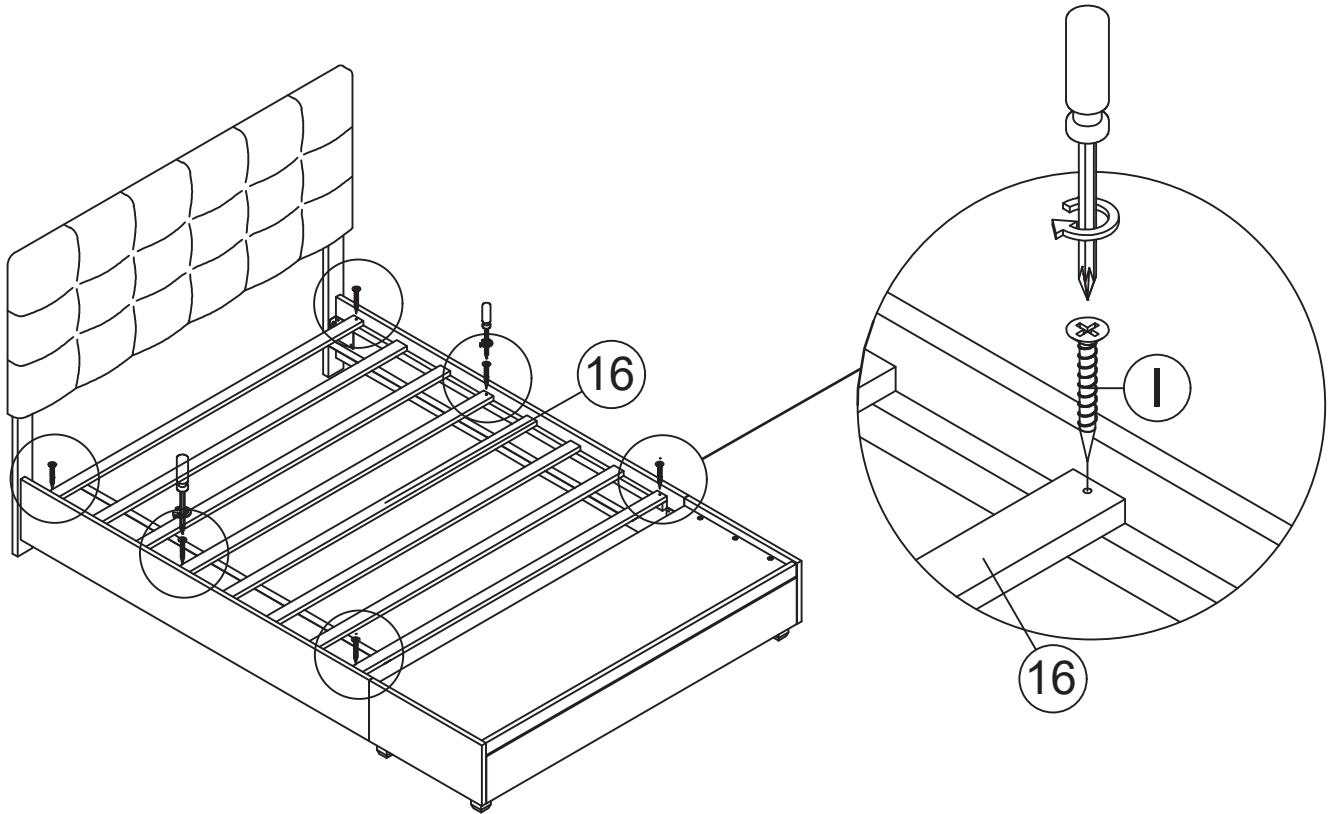
Insert 8pcs (E) to combine 2pcs (2) to the headboard leg and footboard as shown.



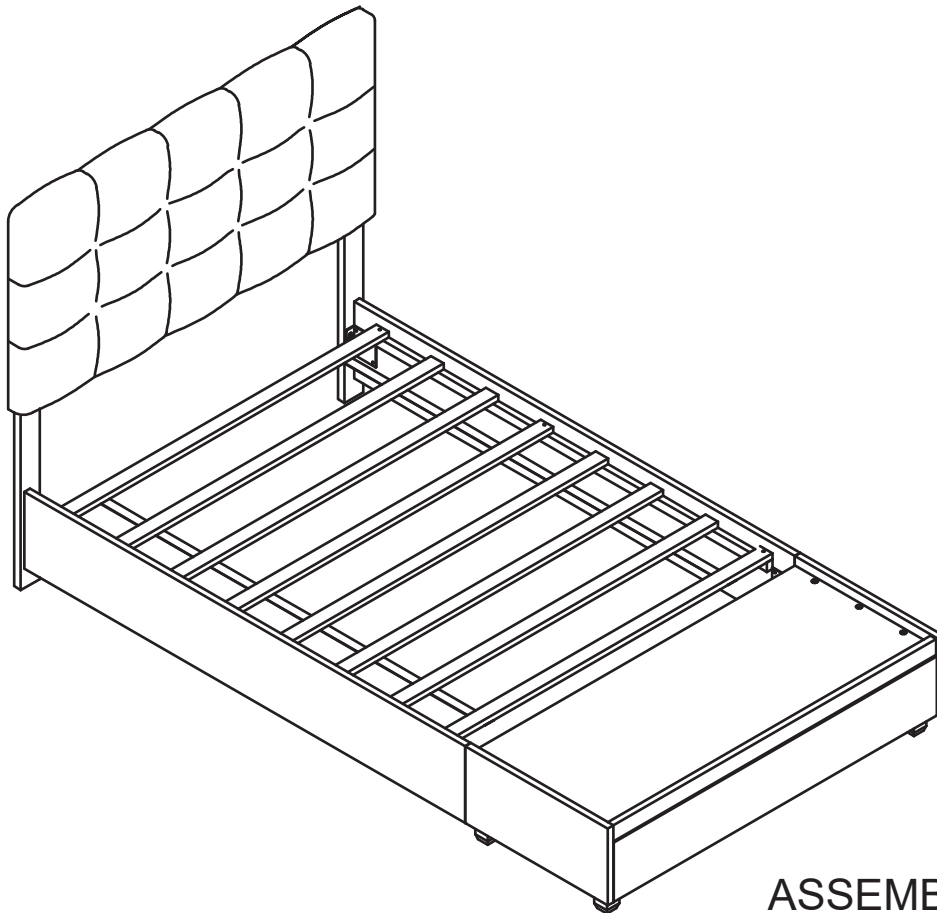
ASSEMBLY INSTRUCTION

STEP 17

Put the slat (16) to the inside of bed frame , then insert 6pcs (I) to tighten the slat.



STEP 18



ASSEMBLY COMPLETED