

INSTRUCTION MANUAL

HARDWARE

1 M4 X 40MM
SCREW



24 PCS

2 M4 X 30MM
SCREW



12 PCS

3 M4 X 45MM
SCREW



8 PCS

4 DOWEL



4 PCS

5 BARREL NUT



4 PCS

BARREL BOLT



4 PCS

6



20 PCS

PARTS

A LEG



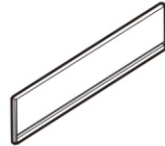
2 PCS

M LEG



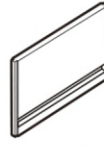
2 PCS

B LONG PANEL



2 PCS

C SHORT PANEL



2 PCS

D BOTTOM
PANEL I



2 PCS

F SUPPORT



3 PCS

E BOTTOM
PANEL II



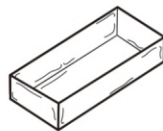
2 PCS

K LEG CAP



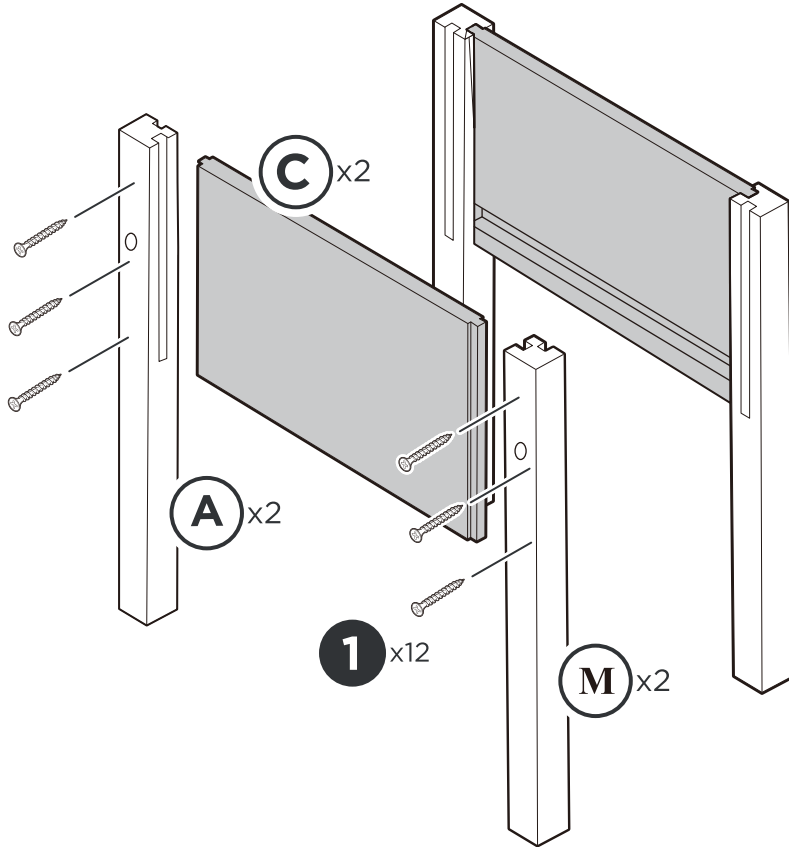
4 PCS

H LINING

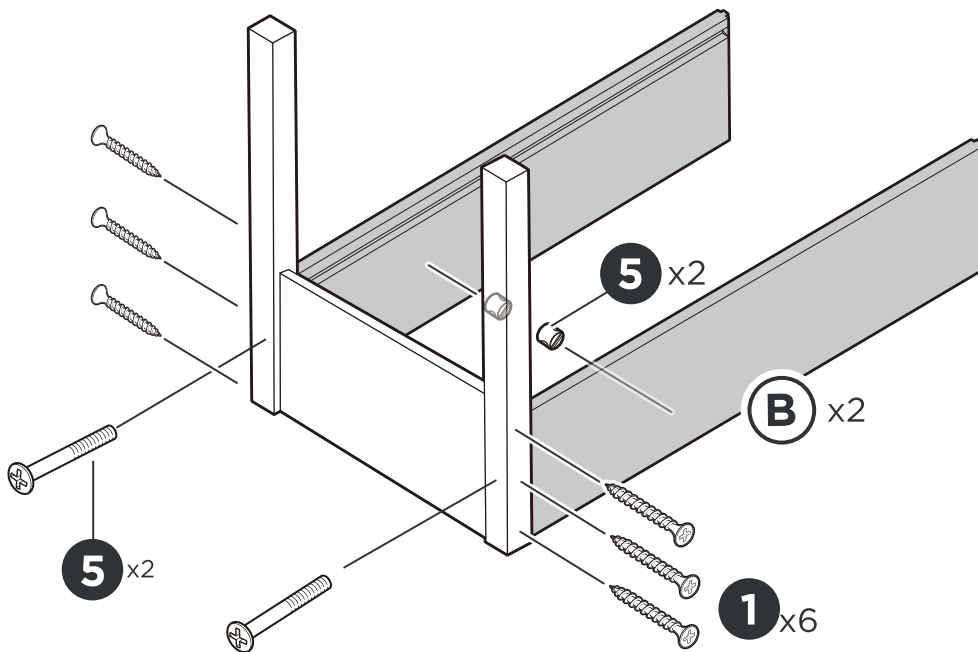


1 PC

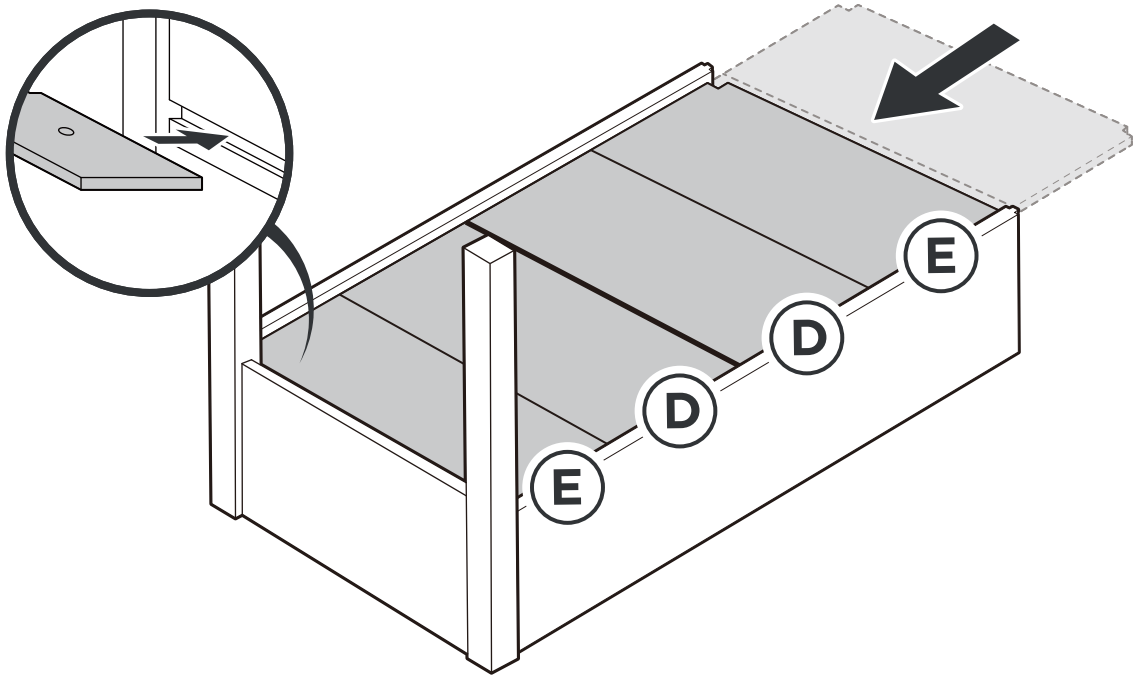
1



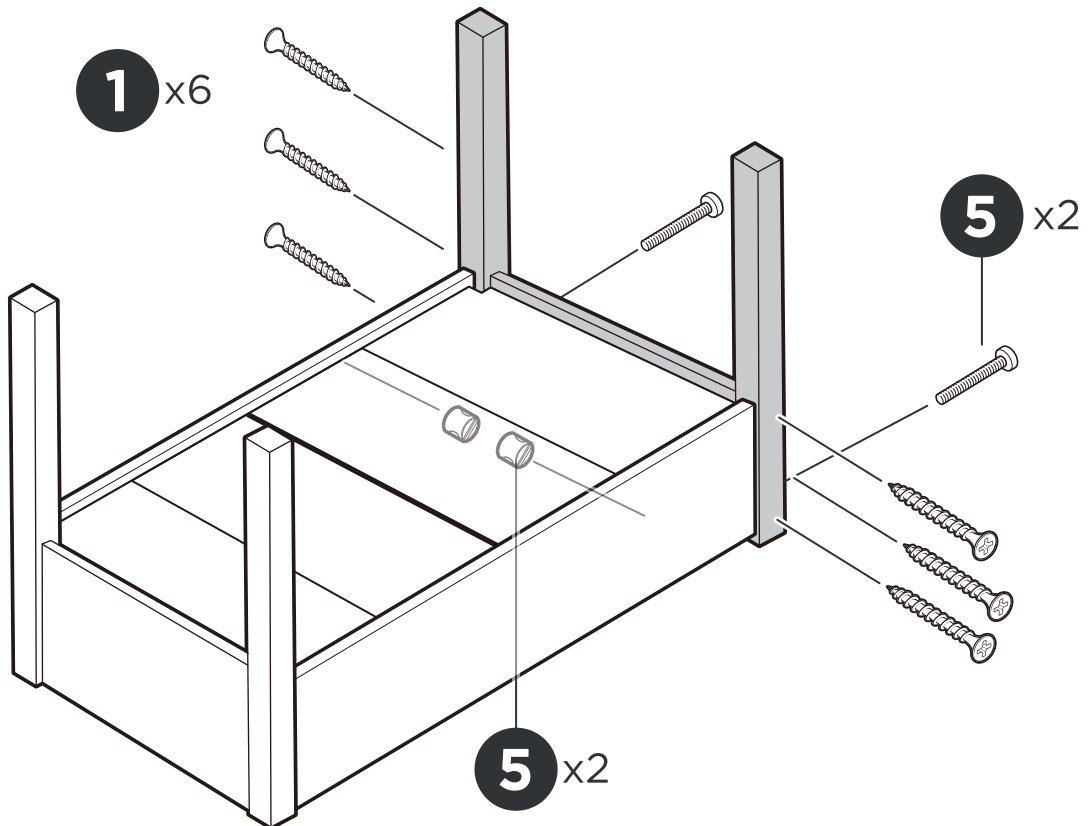
2



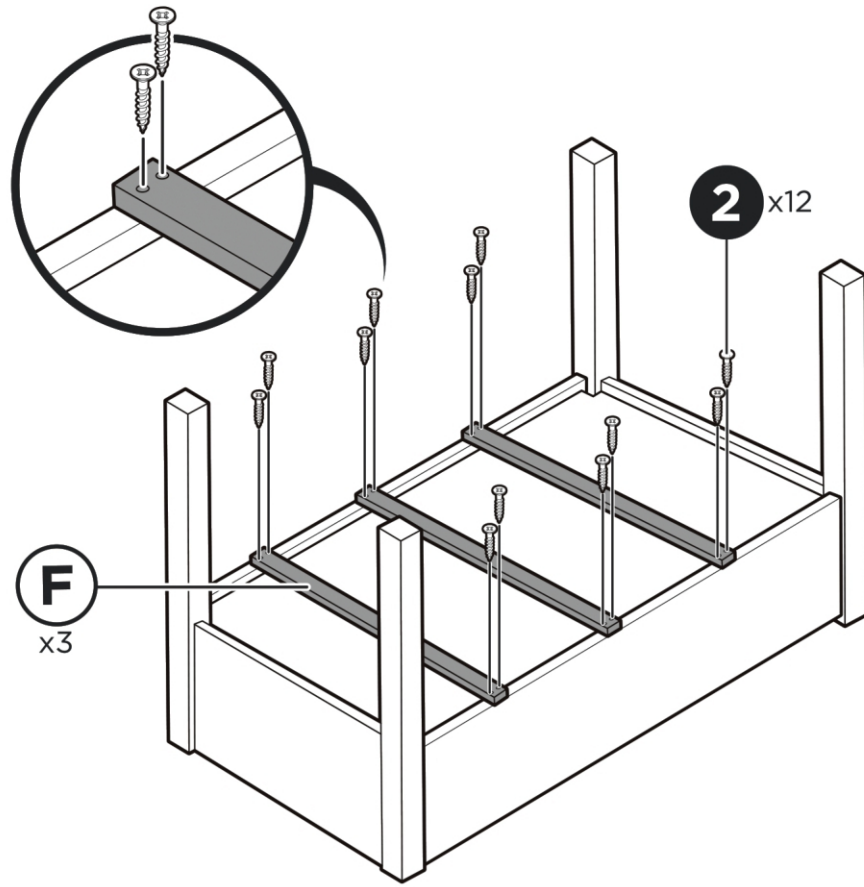
3



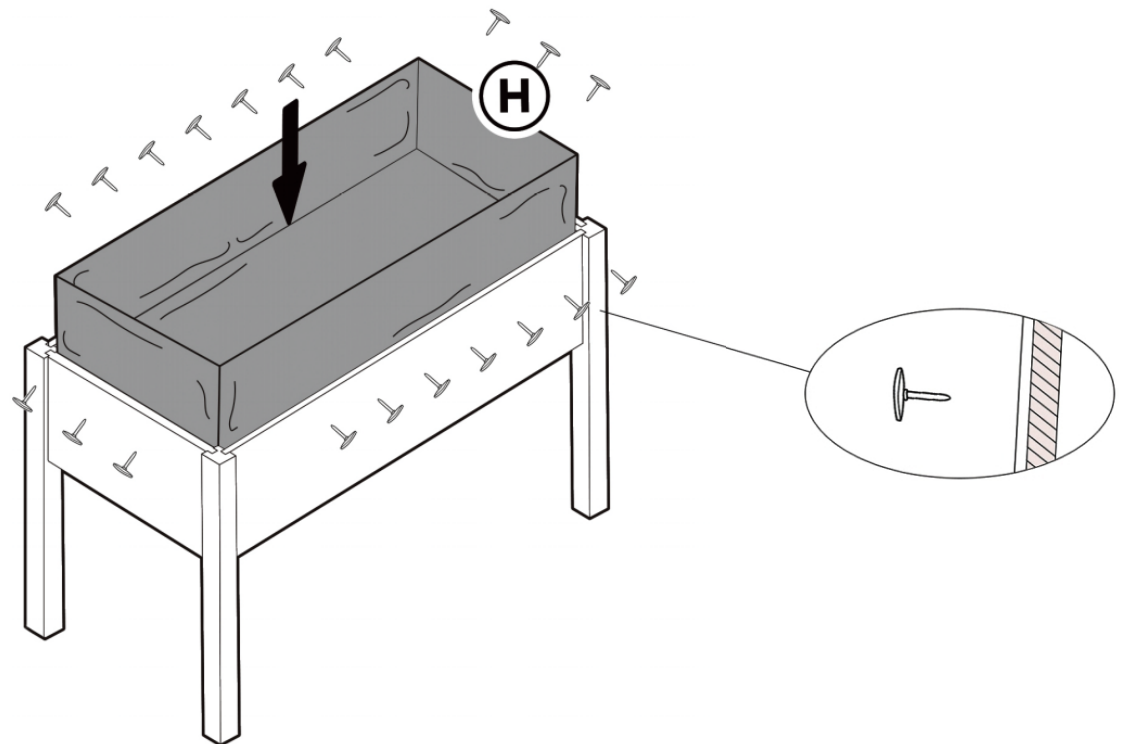
4



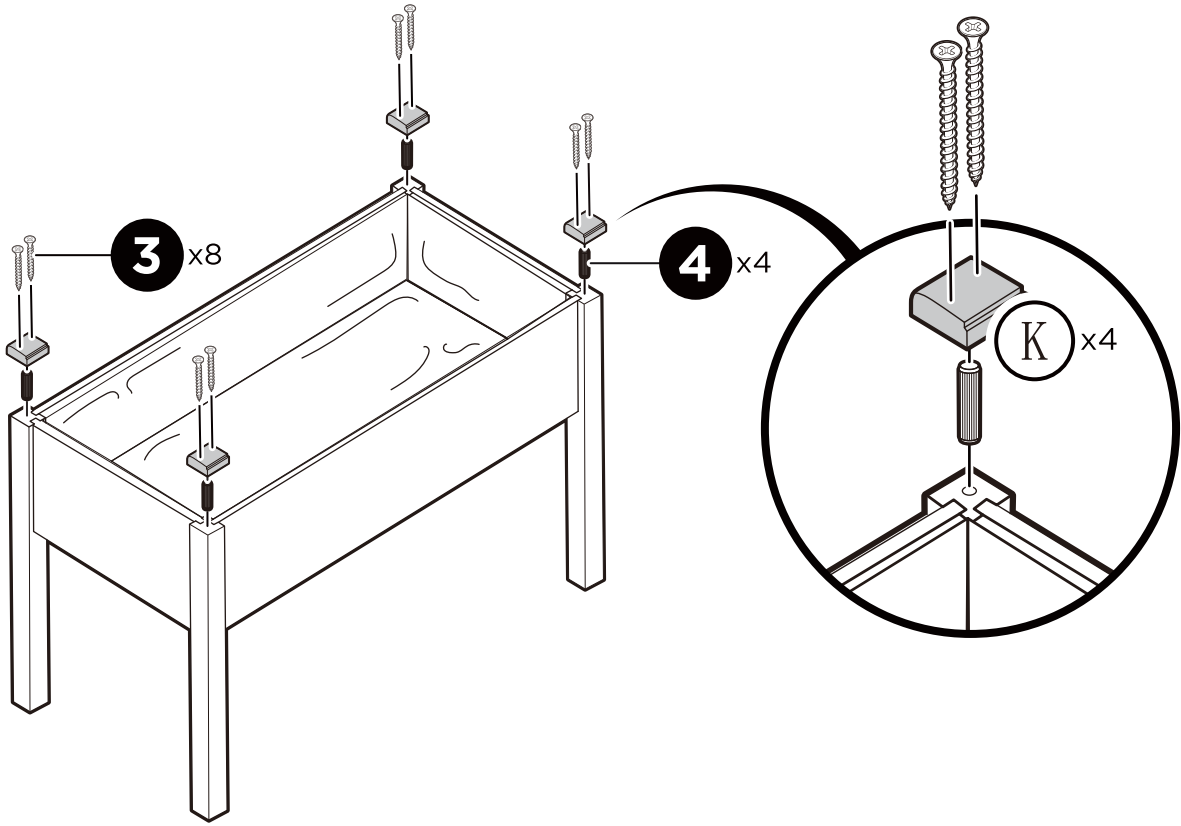
5



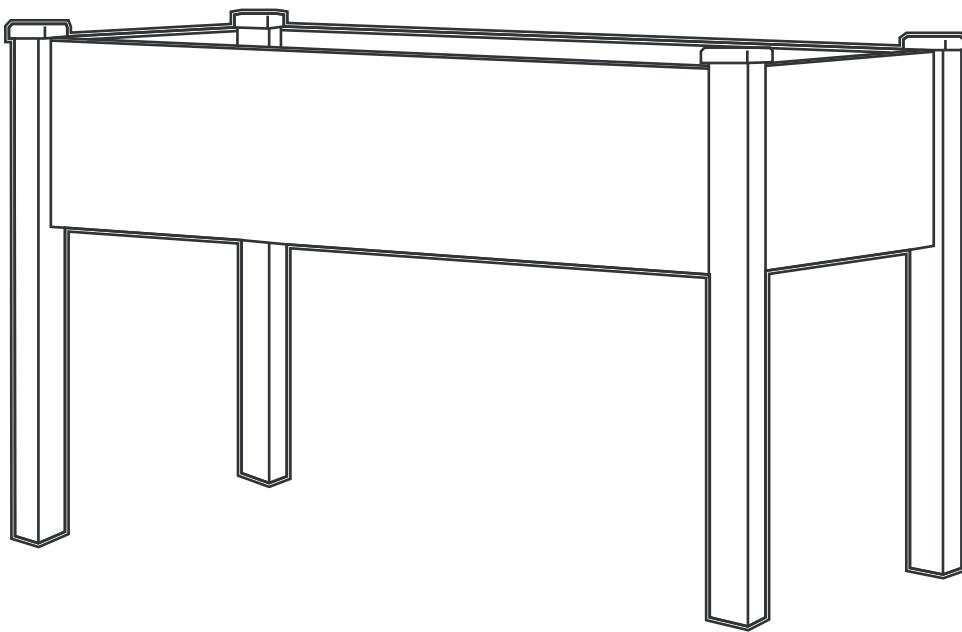
6



7



ENJOY YOUR PRODUCT!



WARNING

Manufacturer and seller expressly disclaim any and all liability for personal injury, property damage or loss, whether direct, indirect, or incidental, resulting from the incorrect attachment, improper use, inadequate maintenance, or neglect of this product.