




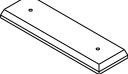
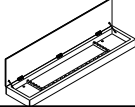
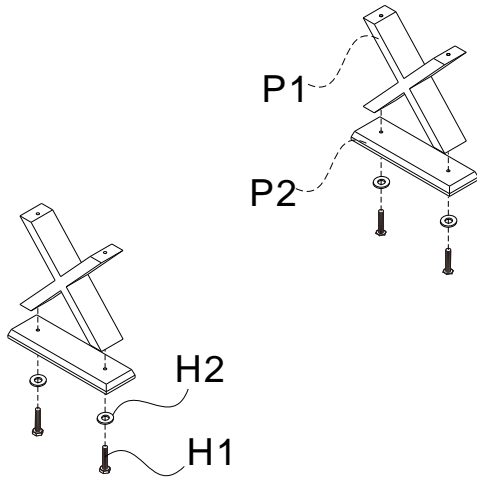


BENCH

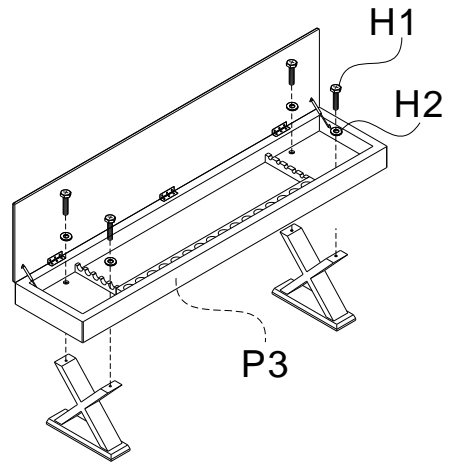
REPLACEMENT PARTS LIST				
PACKAGE	ITEM #	SAMPLE	DESCRIPTION	QTY.
HARDWARE	H1		BOLT (M8X50mm)	8
	H2		WASHER	8
	H3		FOOT NAIL	8
	H4		PLUG	4
WOOD	P1		LEG	2
	P2		LEG BEAM	2
	P3		TOP COVER	1

BENCH

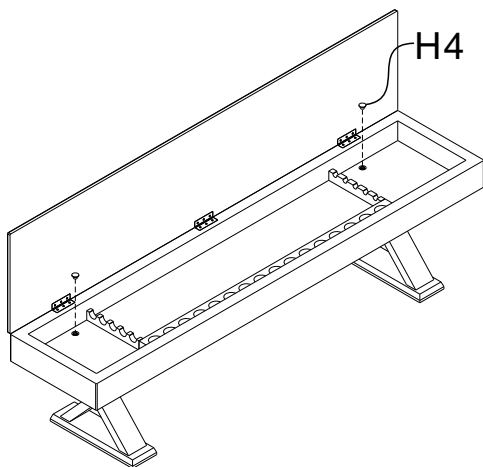
Step 1



Step 2



Step 3



Finish

