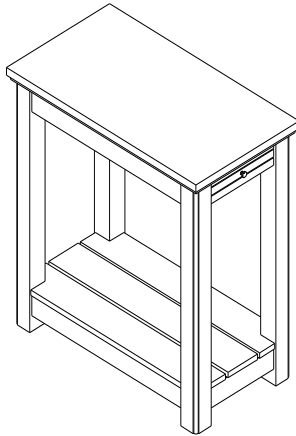


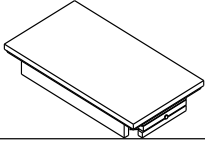

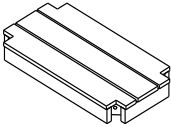
Chairside End Table


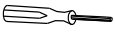




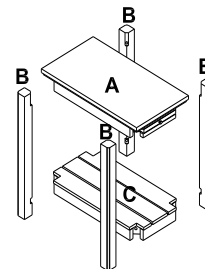
Thank you for purchasing the Chairside End Table. We have found it helpful to have a second person present during the assembly process.

Chairside End Table Assembly Instructions

Parts

NO.	DRAWING	DESCRIPTION	QTY.
A		TOP	1
B		POST	4
C		BOTTOM	1

NO.	DRAWING	DESCRIPTION	QTY.
D		M6*45MM BOLT	8
E		WRENCH	1
F		METAL KNOB	1
G		KNOB SCREW	1



Step 1

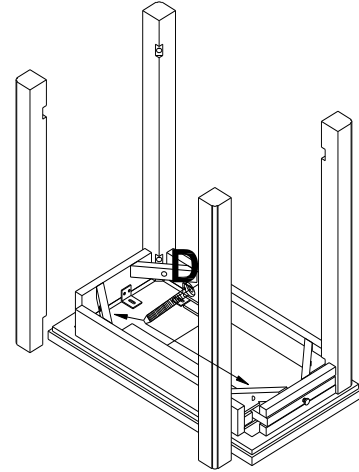
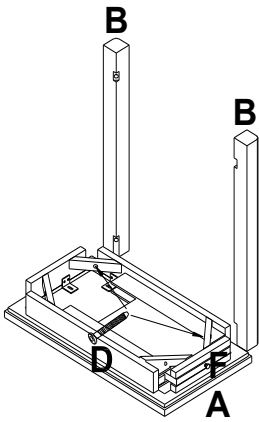
Read through these instructions thoroughly before beginning assembly. We have found this to be of great value when assembling this product.

Step 2

Remove all parts and hardware from packing material. Wooden pieces should be placed on a non abrasive surface to prevent damage to the finish.

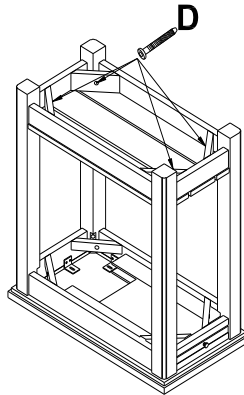
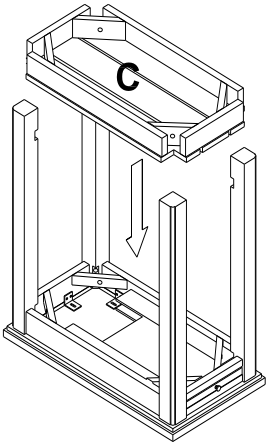
Step 3

Lay Top Assembly (A) upside down on a non abrasive surface. Attach 4 Posts (B) using 4-45MM Hex Bolts (D). **NOTE: Do not tighten firmly at this time.**



Step 4

Position Bottom (C) between Post (B) Attach Bottom using 4-45MM Hex Bolts (D). **Note: TIGHTEN ALL BOLTS AT THIS TIME!**



CARE

Clean with a non abrasive cloth using a mild soap. Make sure to wipe dry.
