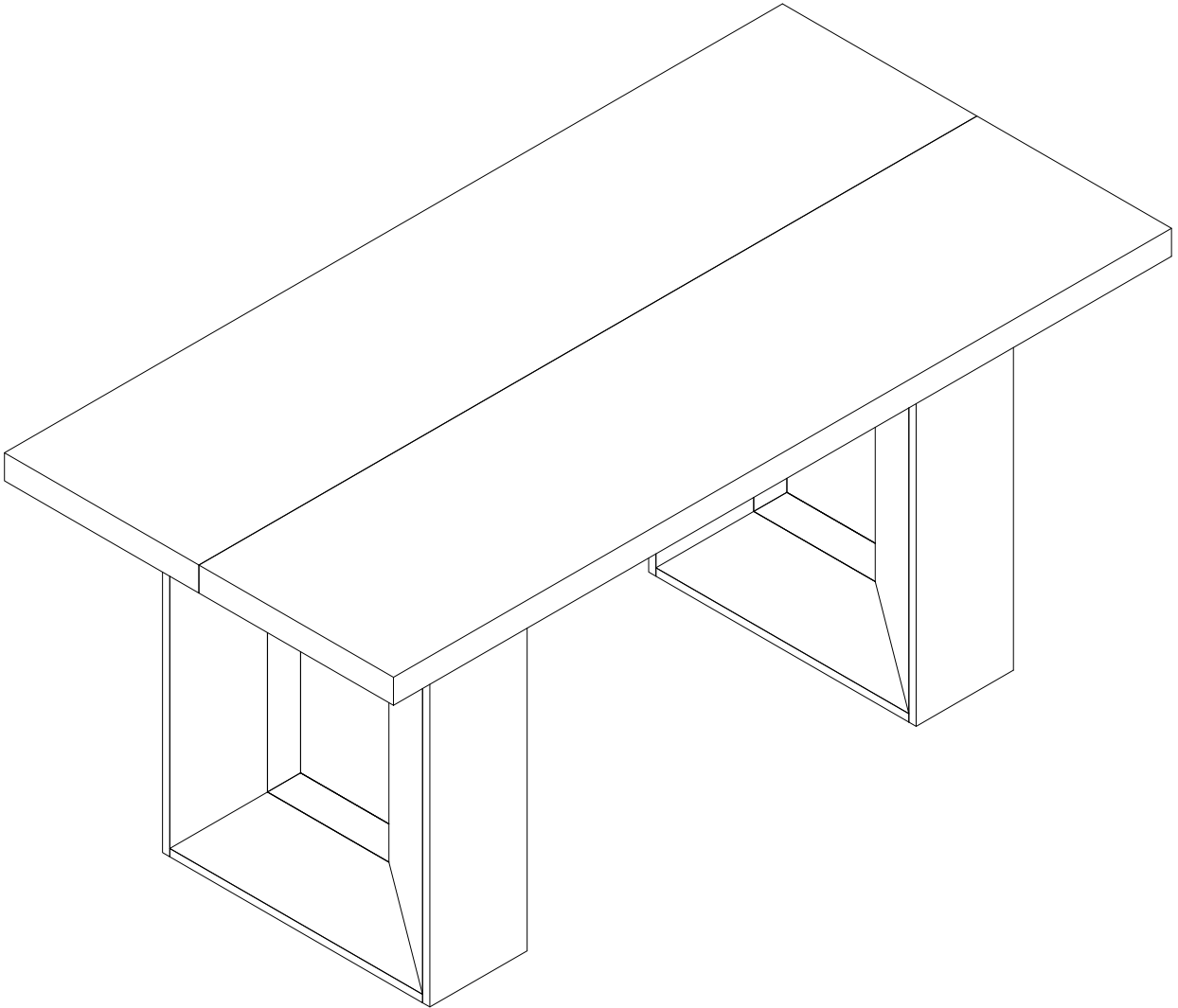


Assembly Instructions



Dining Table

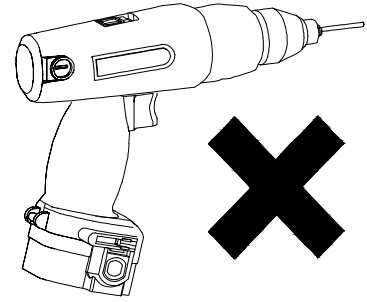
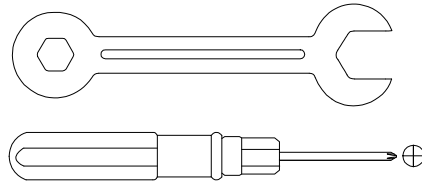
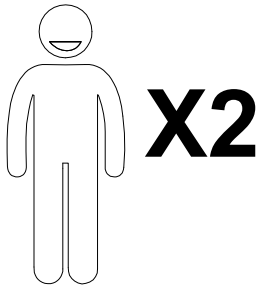
Contact Us

We're here to help you.

Your satisfaction is our top priority. If you encounter any issues with this product, such as missing or damaged parts, we're here to help. Please retain the original packaging and take photos of the packaging and the product, then contact us as soon as possible.

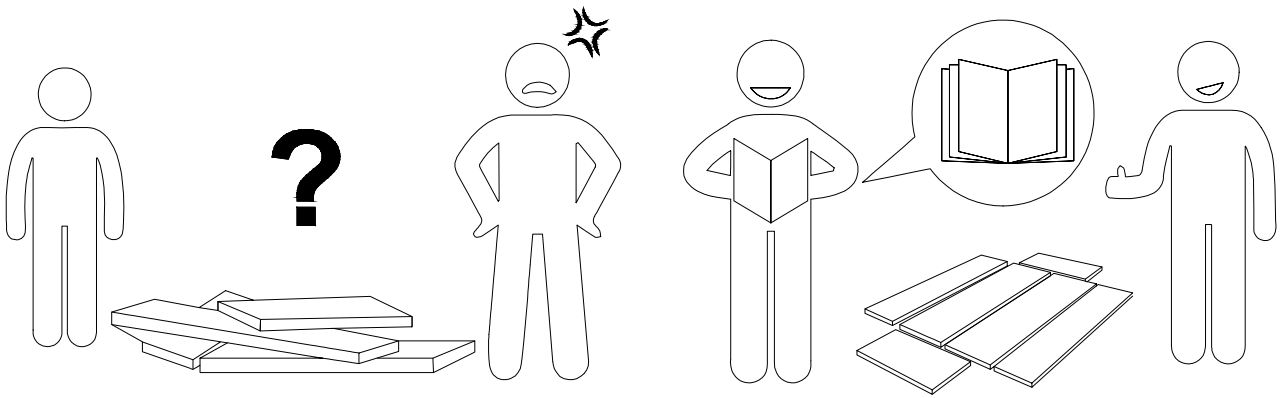
Warm Tips

1. Carefully read these instructions and keep them for future reference.
2. Check the parts list and confirm everything's there before starting assembly.
3. When assembling, put all parts on a soft, smooth surface like a carpet to avoid scratches.
4. Don't fully tighten screws until all parts are confirmed in place to avoid misalignment.



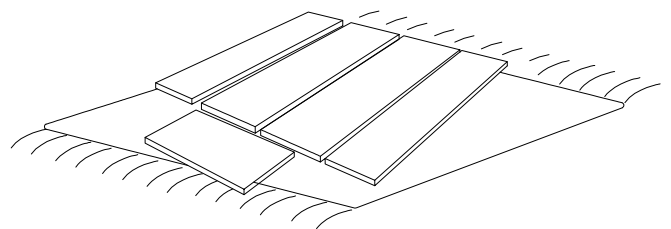
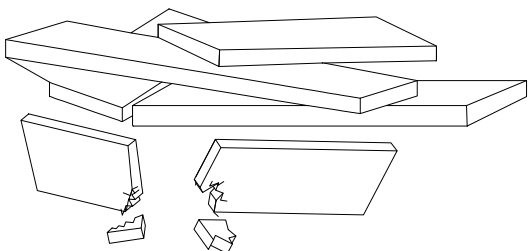
We recommend using hand tools for assembly.

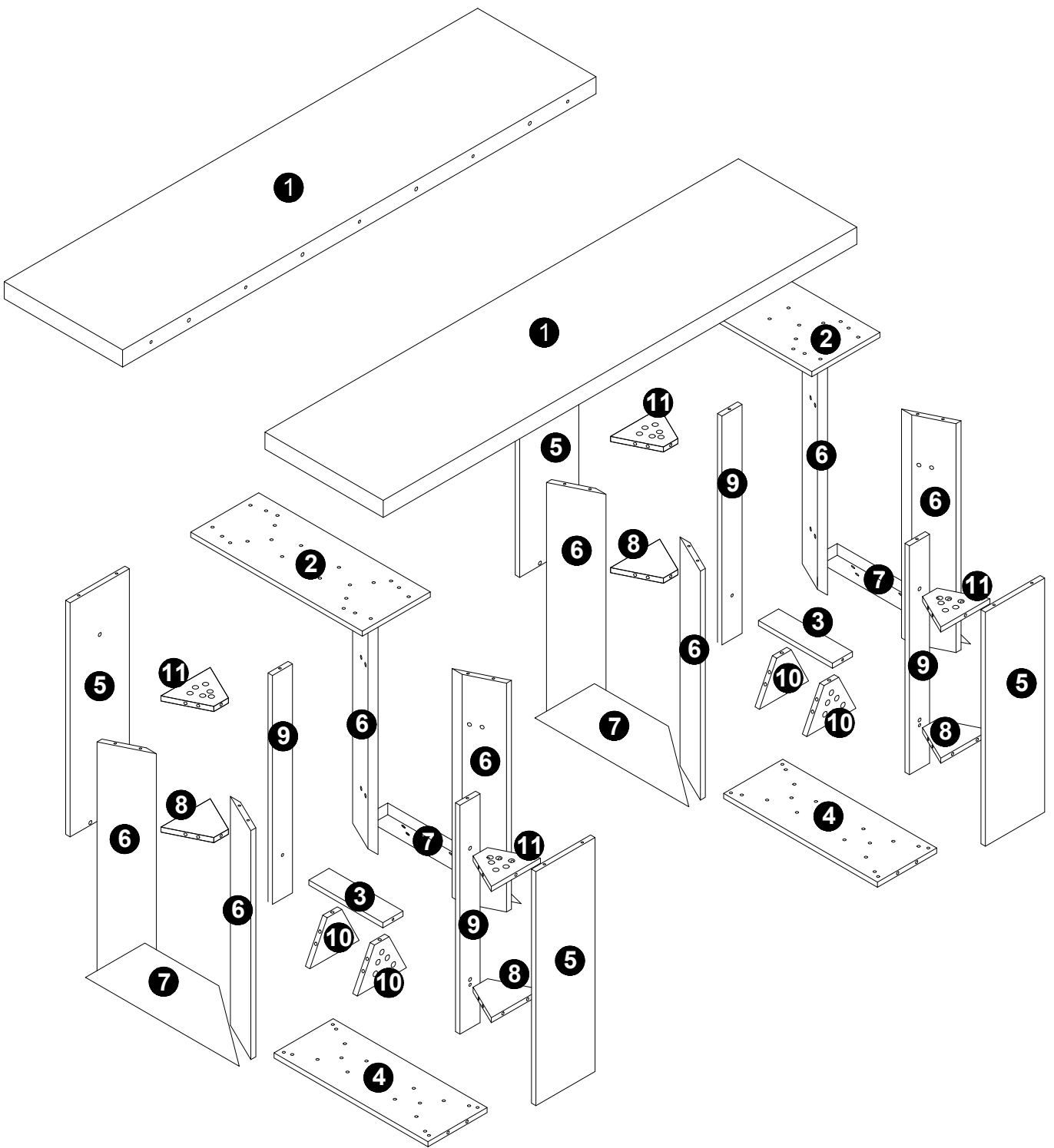
If an electric screwdriver is used, reduce power and torque to avoid damage to the product.



AVOID SCRATCHES

In order to avoid scratching, this furniture should be assembled on a soft surface, such as a rug.

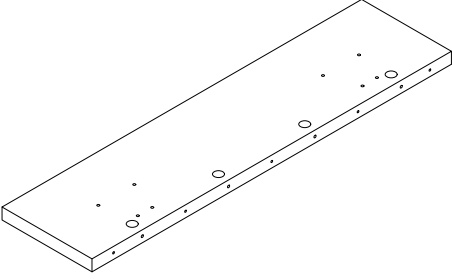
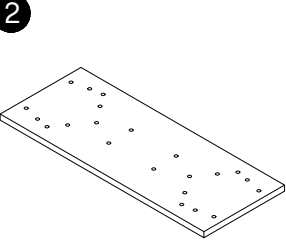
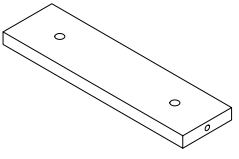
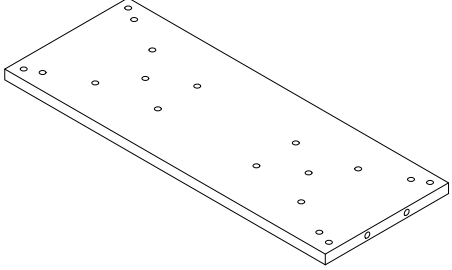
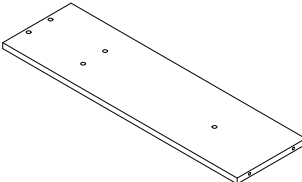
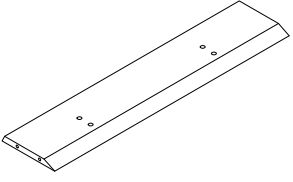
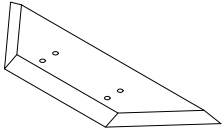
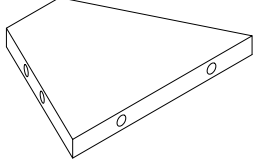
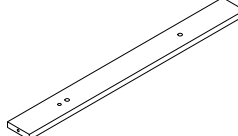
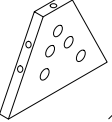
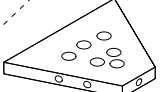




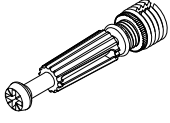
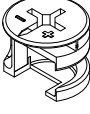



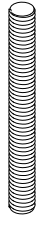
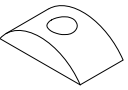
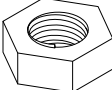

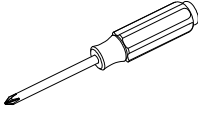
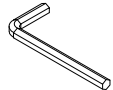
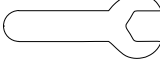
⚠ Caution

Make sure all parts are included. Most board parts are labeled or stamped on the raw edge. Contact us for a free replacement if you encounter any damaged or missing parts.

Parts List

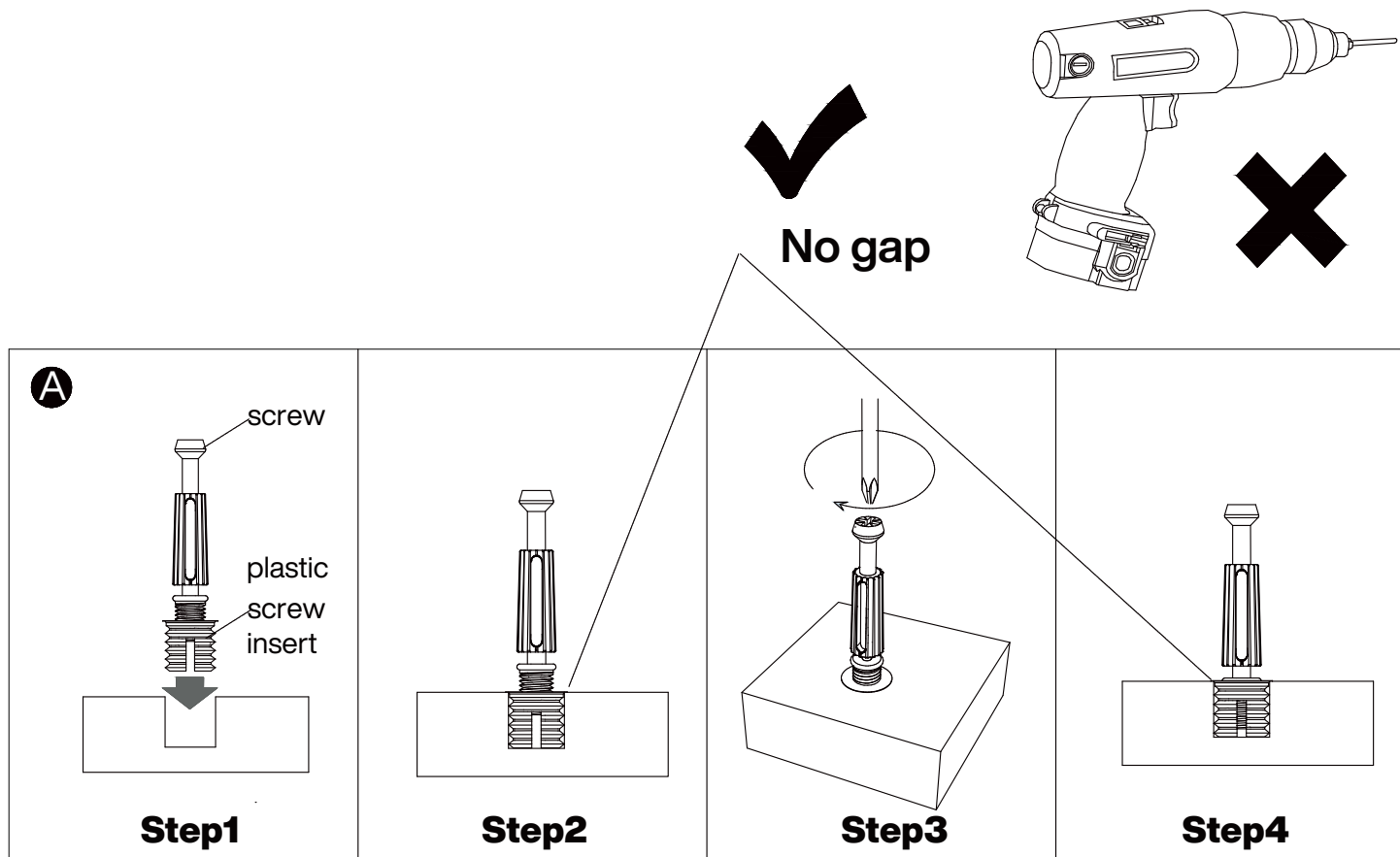
<p>1</p>  <p>2 pcs</p>	<p>2</p>  <p>2 pcs</p>	<p>3</p>  <p>2 pcs</p>	
<p>4</p>  <p>2 pcs</p>	<p>5</p>  <p>4 pcs</p>	<p>6</p>  <p>8 pcs</p>	
<p>7</p>  <p>4 pcs</p>	<p>8</p>  <p>4 pcs</p>	<p>9</p>  <p>4 pcs</p>	<p>10</p>  <p>4 pcs</p> <p>11</p>  <p>4 pcs</p>

Hardware List

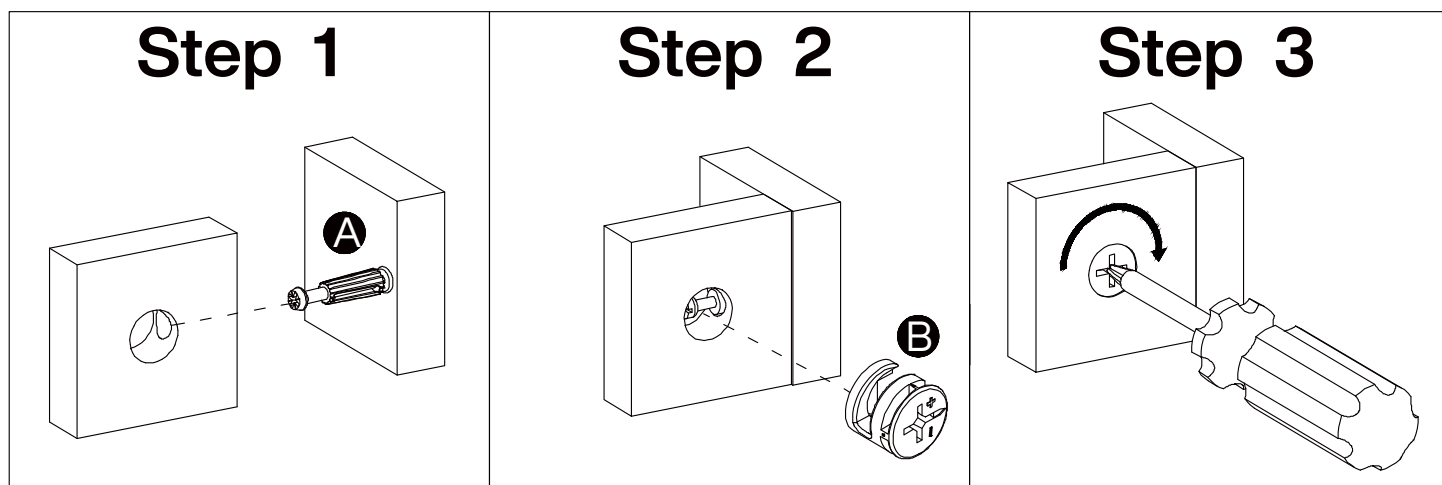
A	B	C	D	E	F
 <p>Ø6x40mm</p>	 <p>Ø15x12mm</p>	 <p>Ø7x38mm</p>	 <p>Ø8x30mm</p>	 <p>Ø6x25mm</p>	 <p>Ø8x90mm</p>
72+1 pcs	72+1 pcs	60+1 pcs	13+1 pcs	16+1 pcs	4 pcs
G	H	I	J	K	L
 <p>M8</p>	 <p>M8</p>	 <p>Ø23x10mm</p>			
8 pcs	8 pcs	8 pcs	1 pc	1 pc	2 pcs

Installation of Cams and Pins

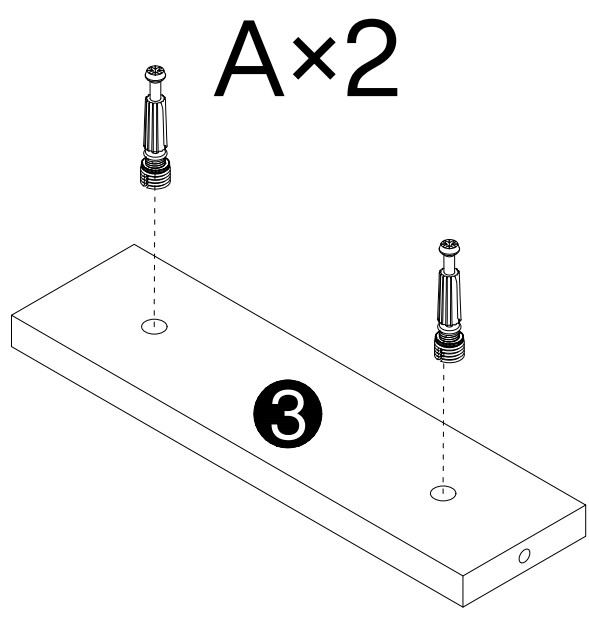
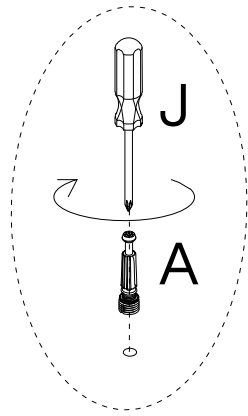
Step 1-2: Align the plastic part with the mounting hole and press it in. If you can't press it in, loosen the screw counter clockwise or completely remove the screw from the plastic part and try again.
Step 3-4: After pressing the plastic part into place, use a screwdriver to tighten the screw clockwise.




Screw the pin into the hole. Set the cams correctly by aligning the head of the cams with the lock pins. Lock the cam by turning the cam head with a screwdriver until it is tightened. Please do not use an electric screwdriver to assemble the unit.



1

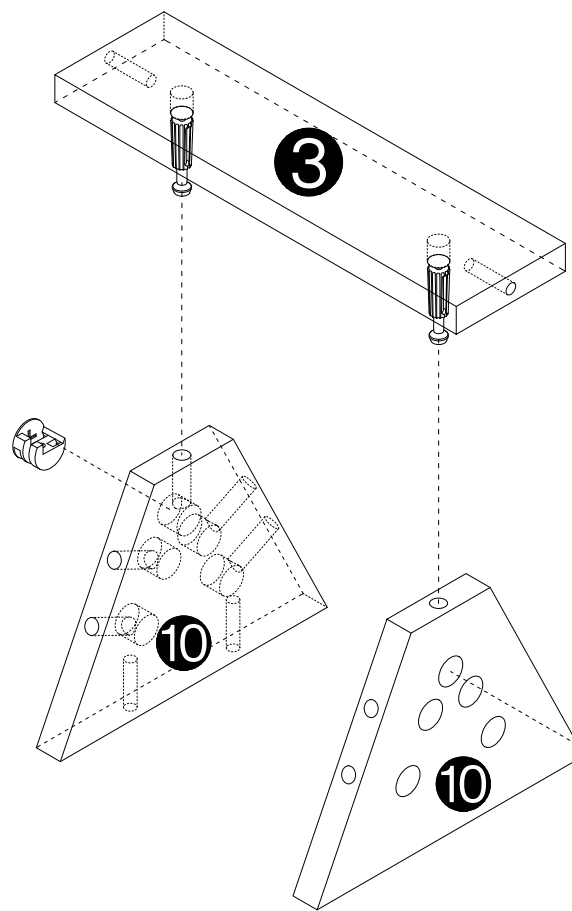
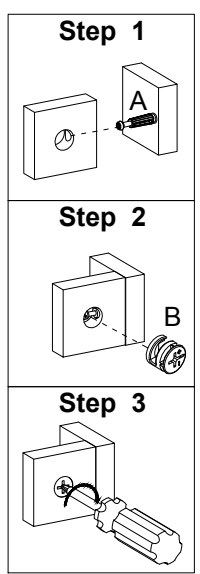


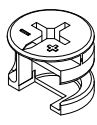
A×2

A

Ø6x40mm
4 pcs

X2

2

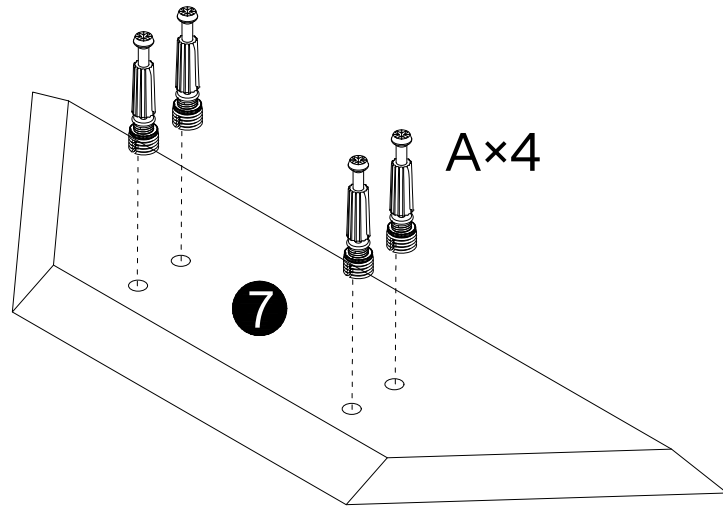


B

Ø15x12mm
4 pcs

X2

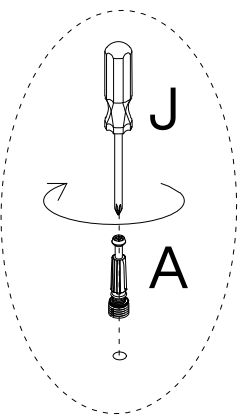
B×2

3



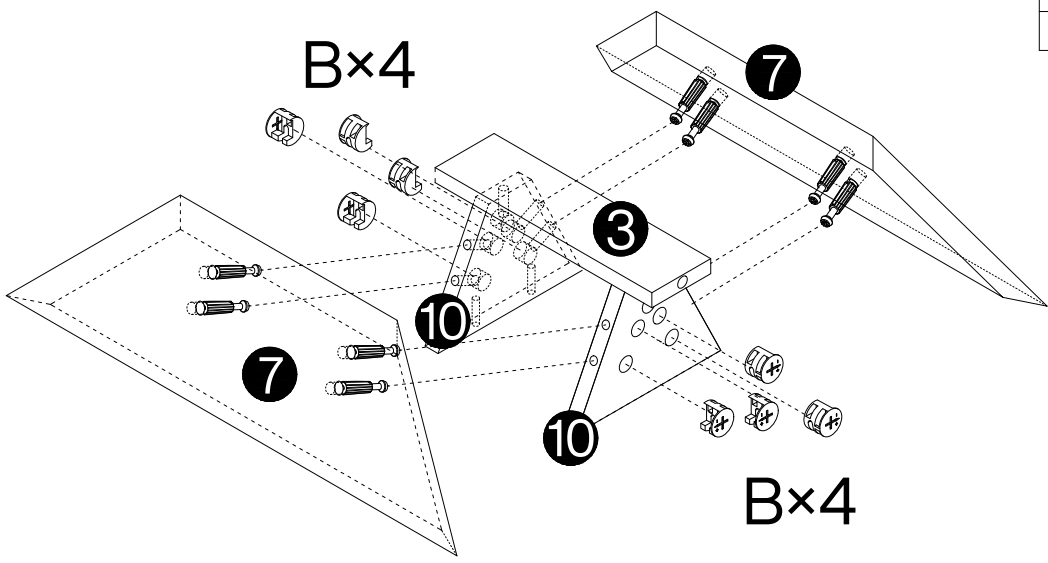
A

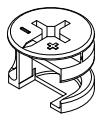
Ø6x40mm
16 pcs

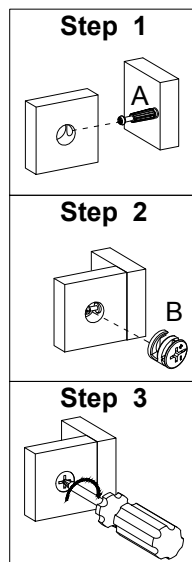


X4

4



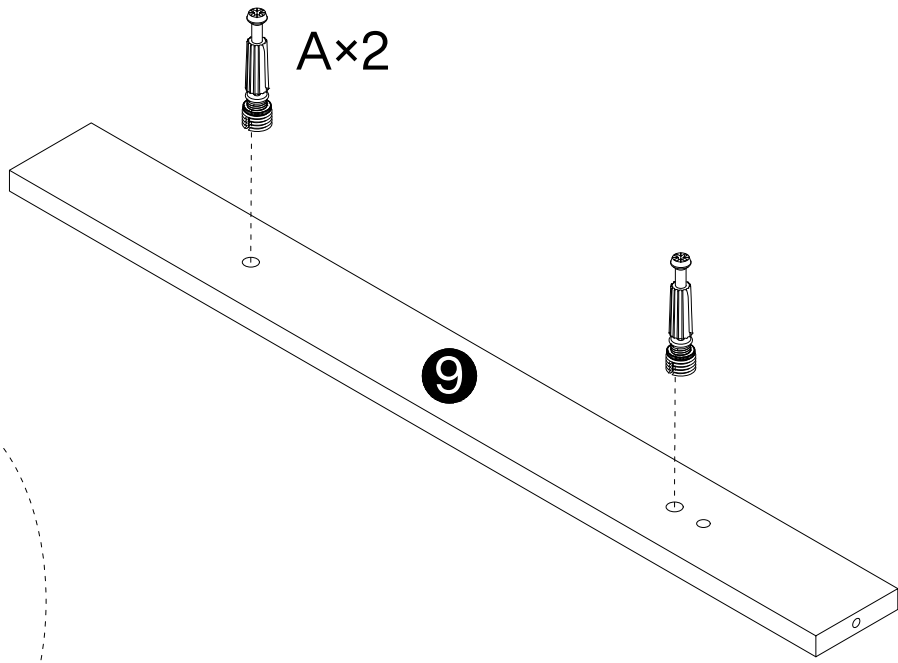
B

Ø15x12mm
16 pcs




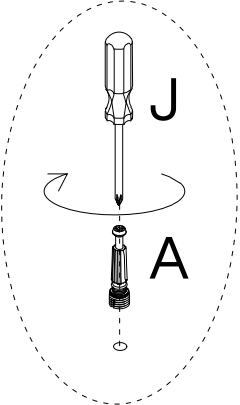
B x 4

X2

5

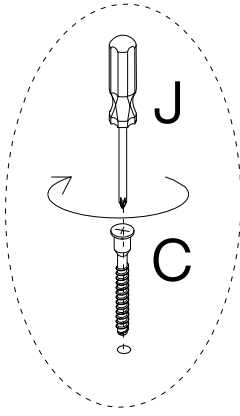
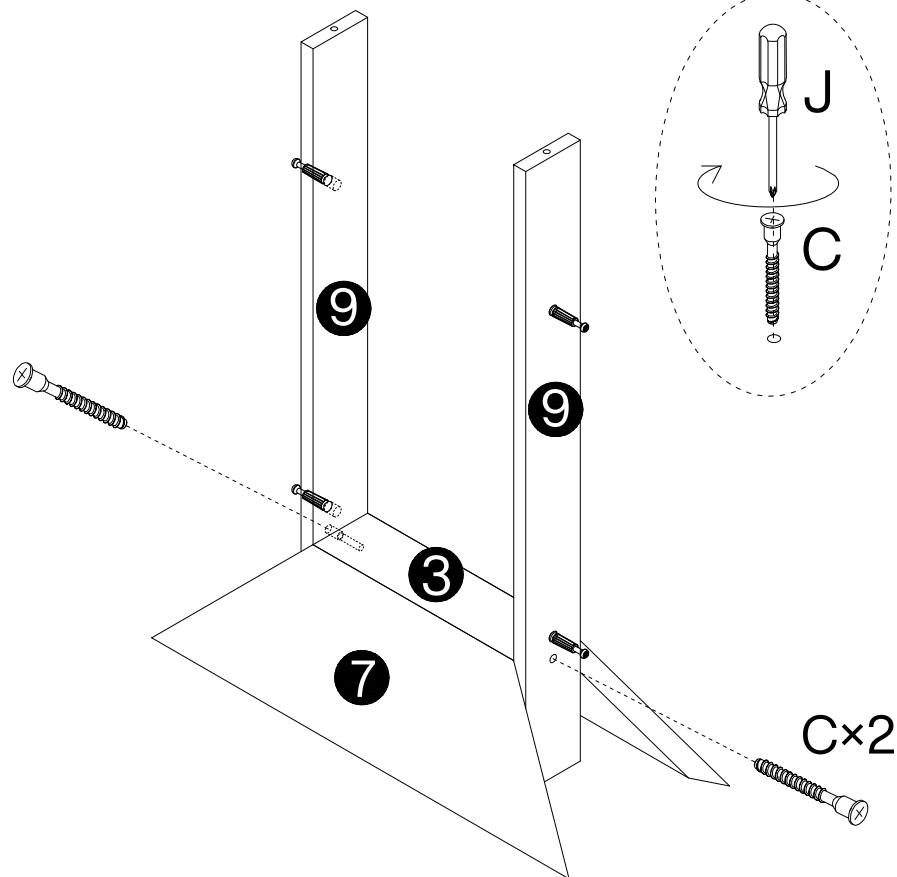


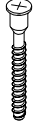
A

Ø6x40mm
8 pcs



X4

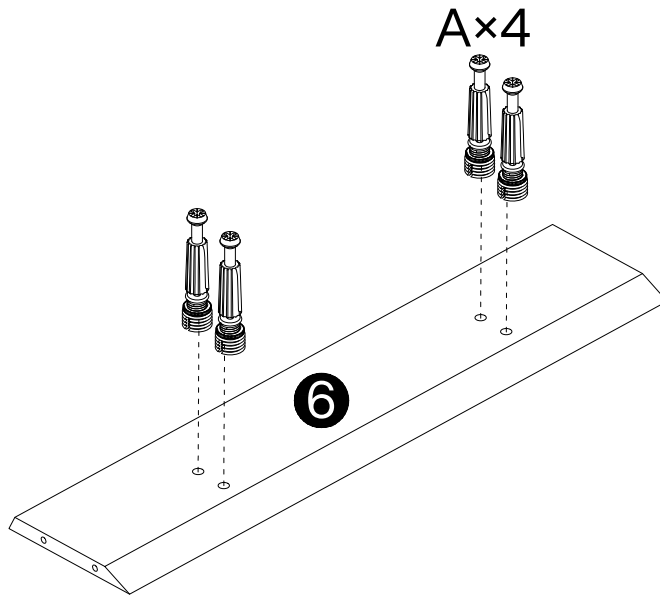
6



C

Ø7x38mm
4 pcs

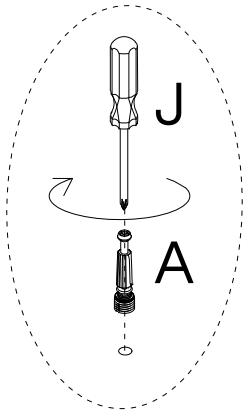
X2

7



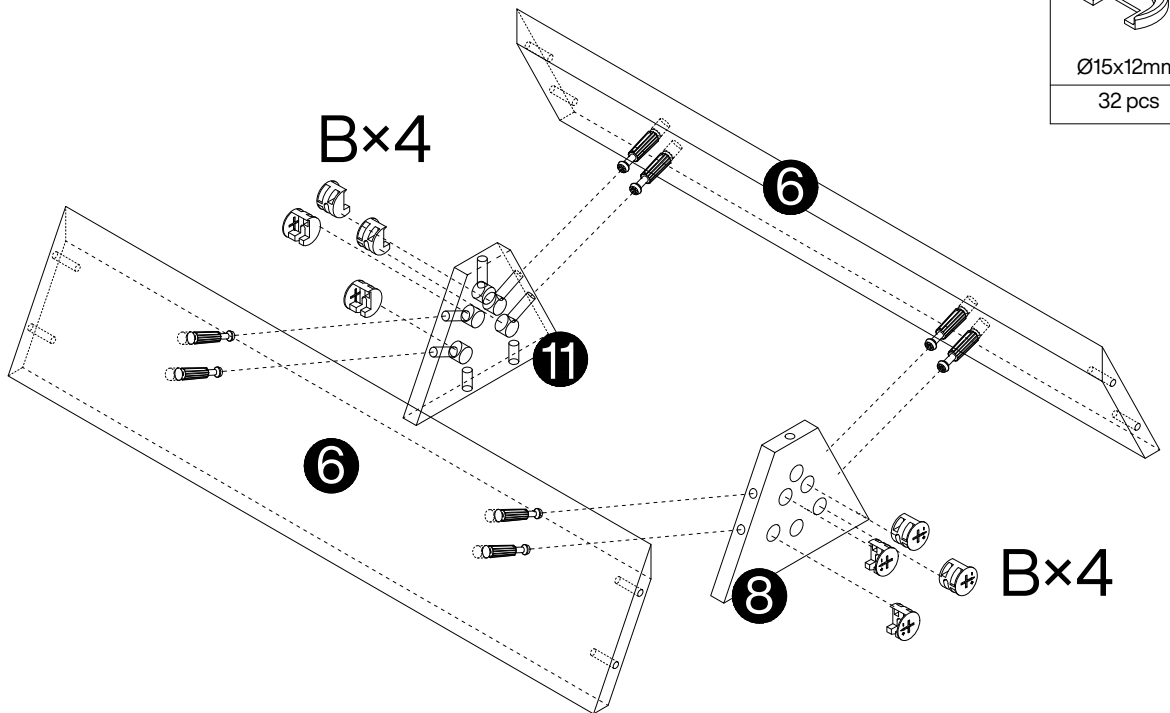
A

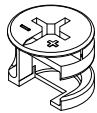
Ø6x40mm
32 pcs

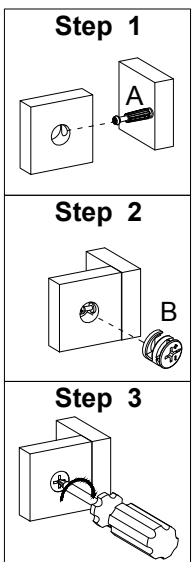


X8

8

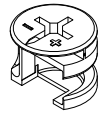


B

Ø15x12mm
32 pcs

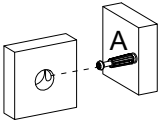


X4

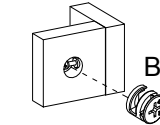
9

B

Ø15x12mm
8 pcs

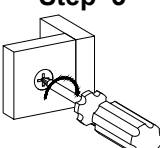
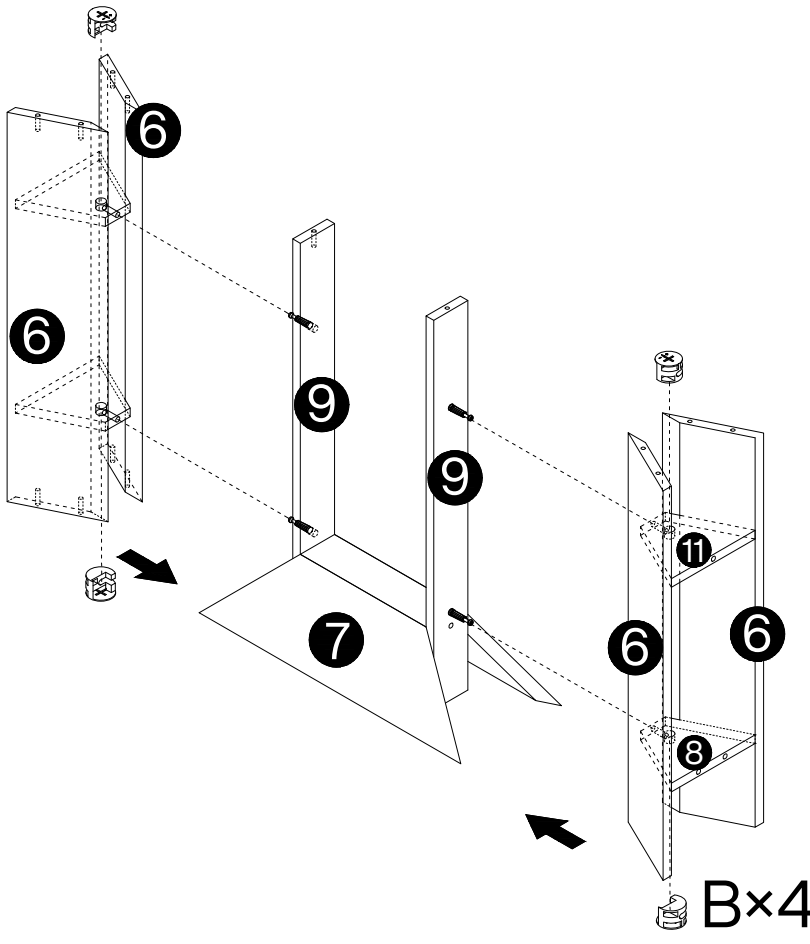
Step 1



Step 2




Step 3

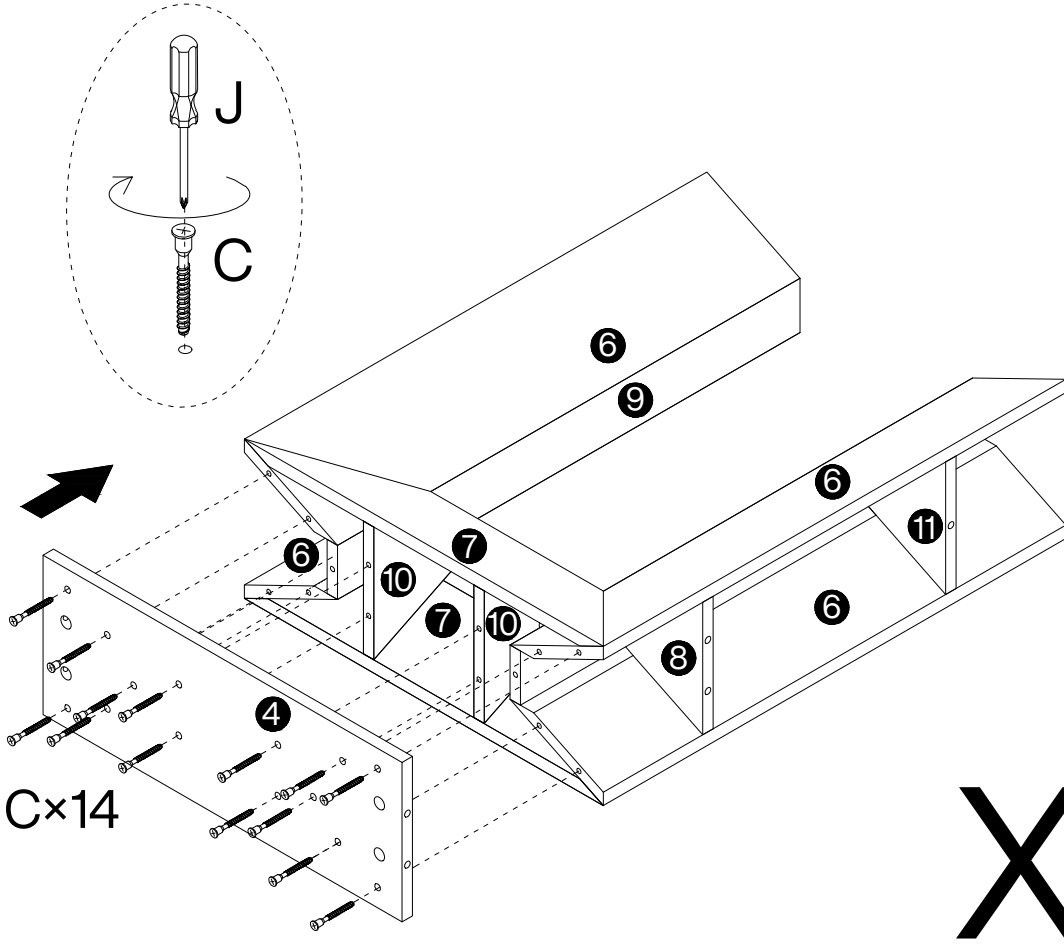



X2

Bx4

10

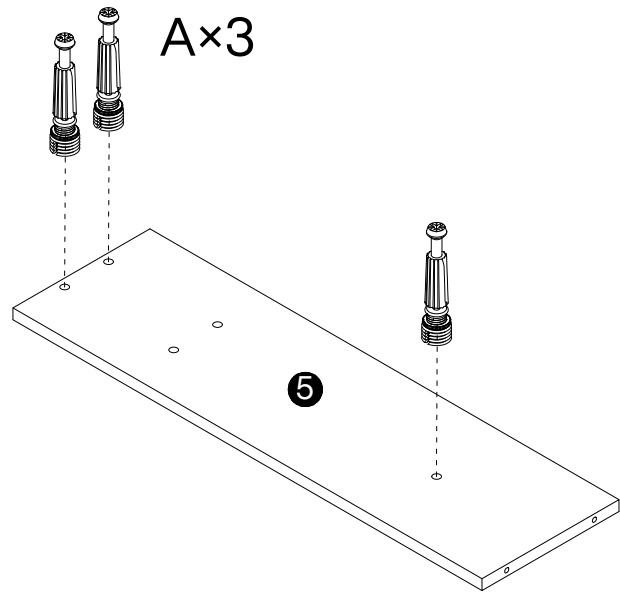
C

Ø7x38mm
28 pcs

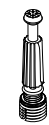


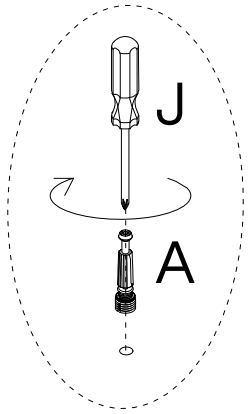
X2

Cx14

11

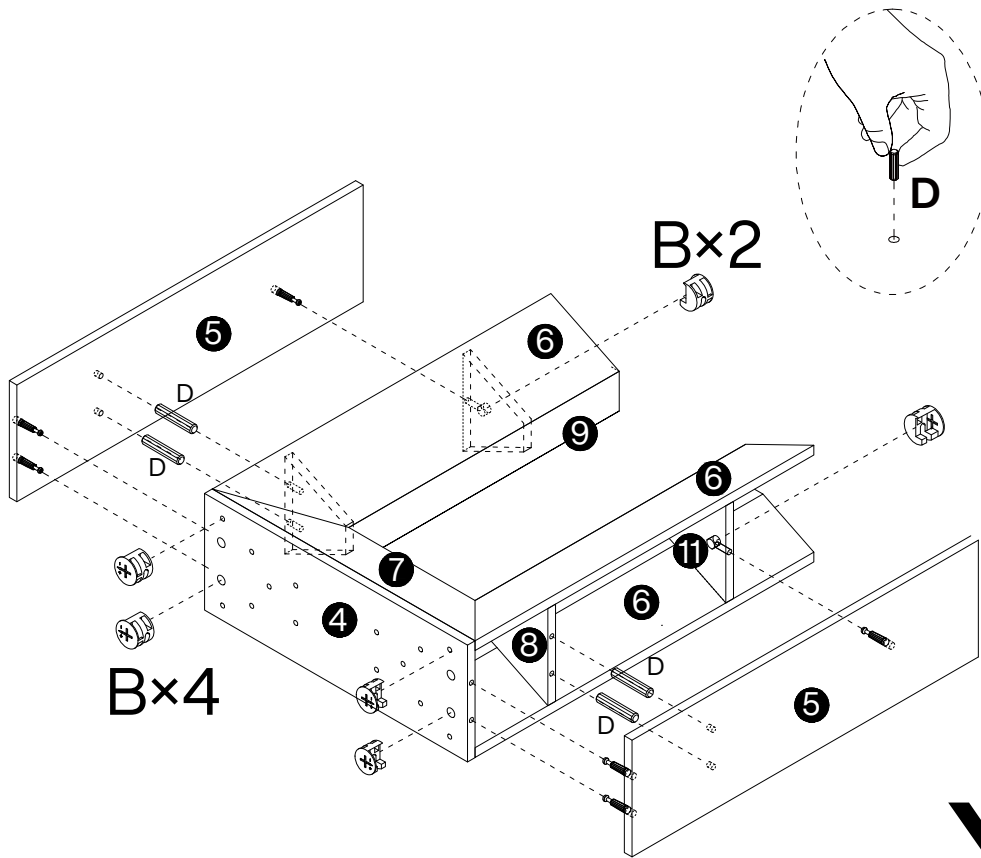



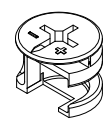
A

Ø6x40mm
12 pcs

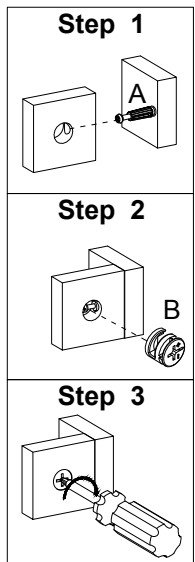


X4

12

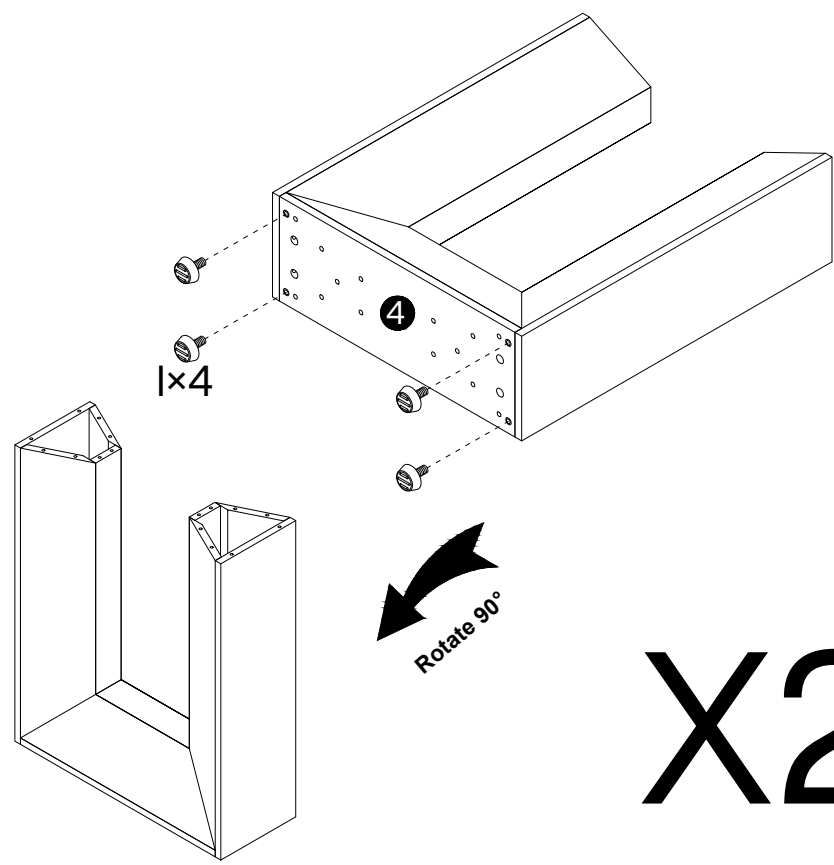
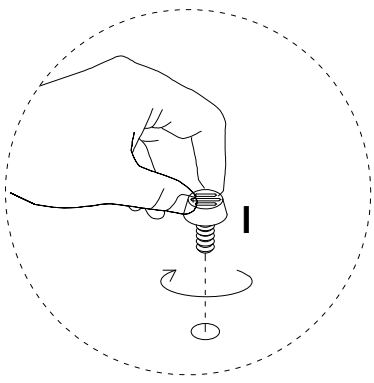



D

Ø8x30mm
8 pcs
B

Ø15x12mm
12 pcs



X2

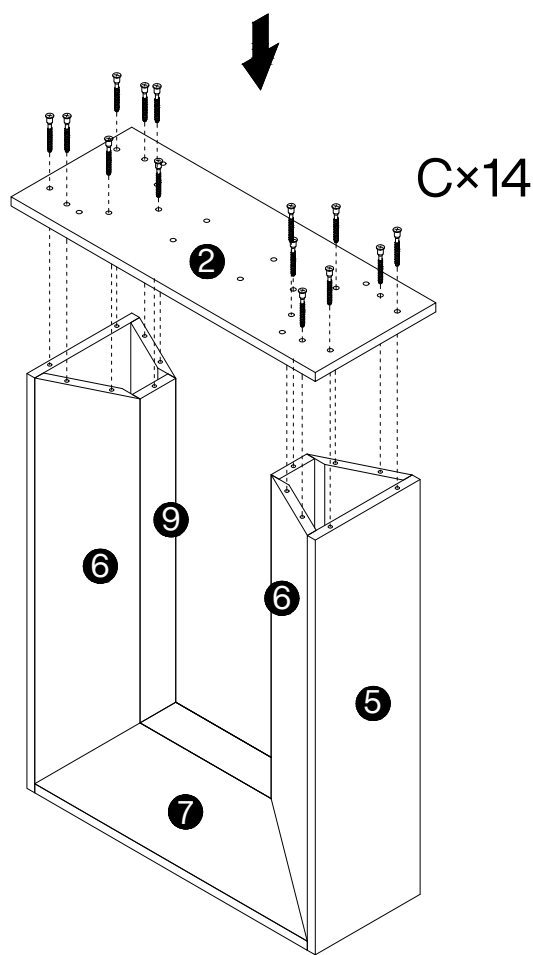
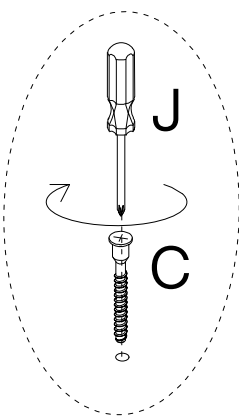
13




I

M6
8 pcs

X2

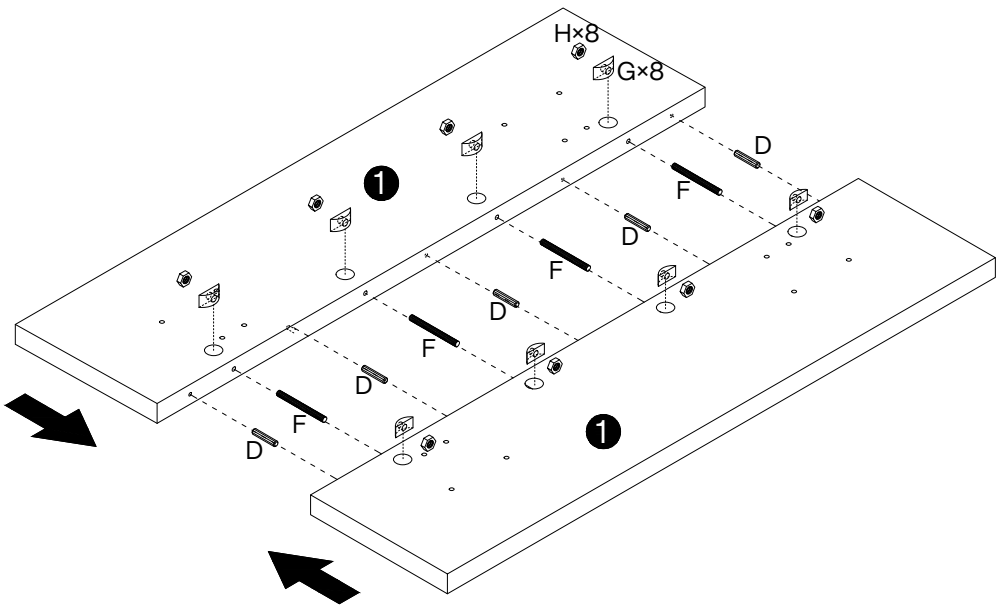
14



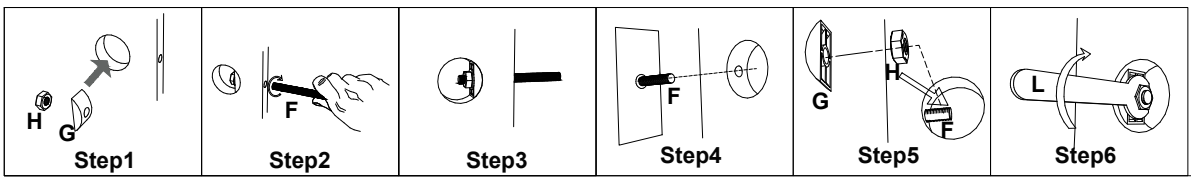
C

Ø7x38mm
28 pcs

X2

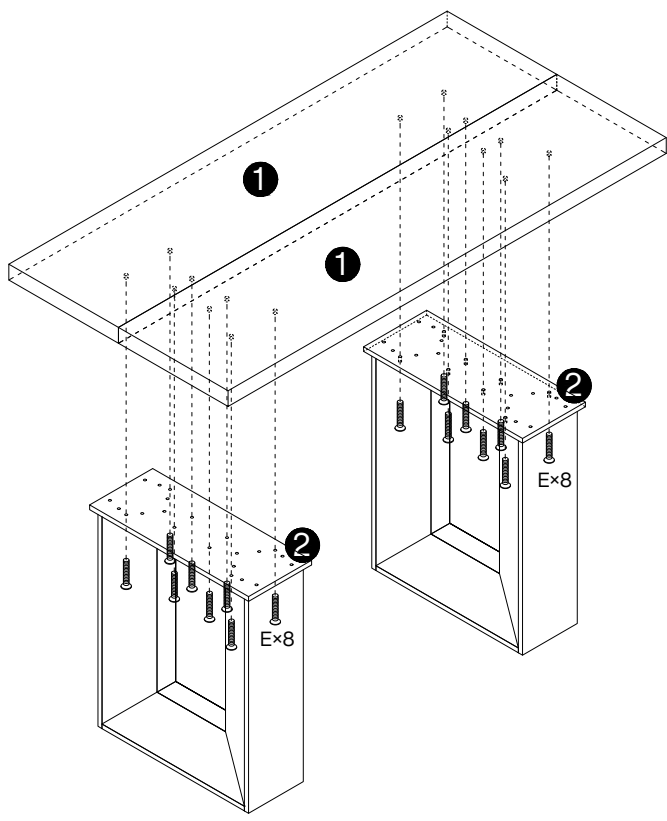
15



L	F
2 pcs	Ø8x90mm
D	G
Ø8x30mm	
5 pcs	8 pcs
	H
	8 pcs



16



E
Ø6x30mm
16 pcs
K
1pc

Thank you for your support!

