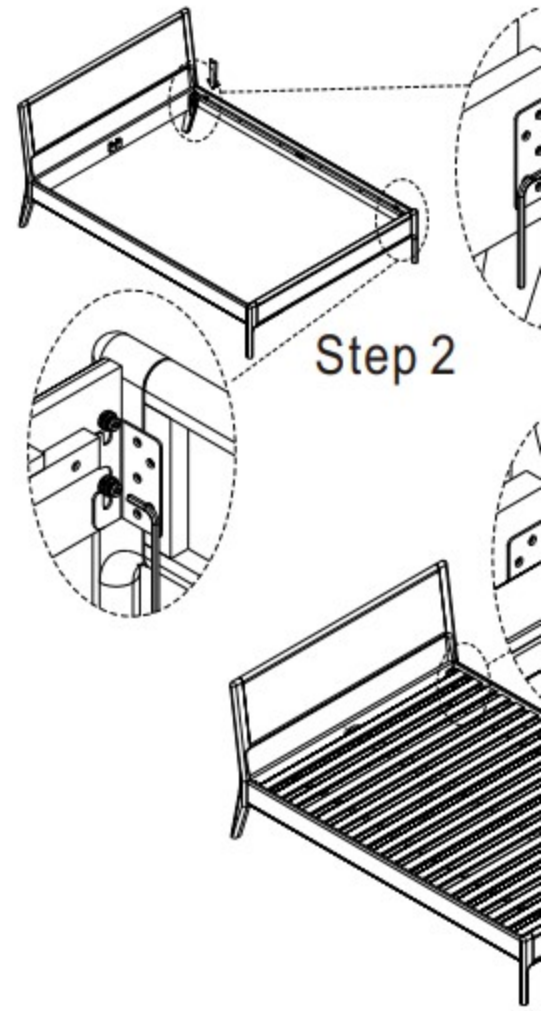
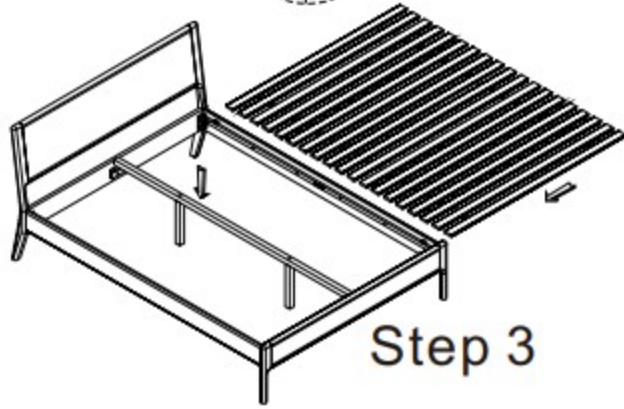
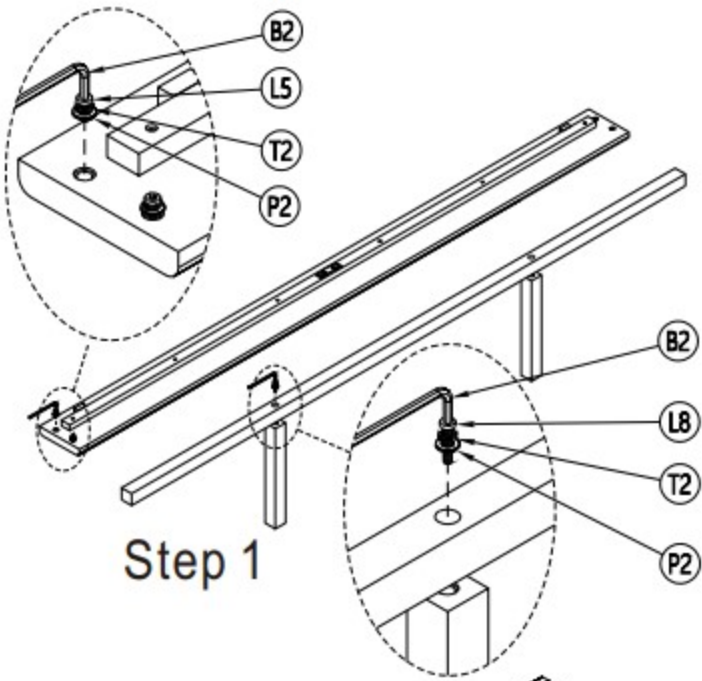
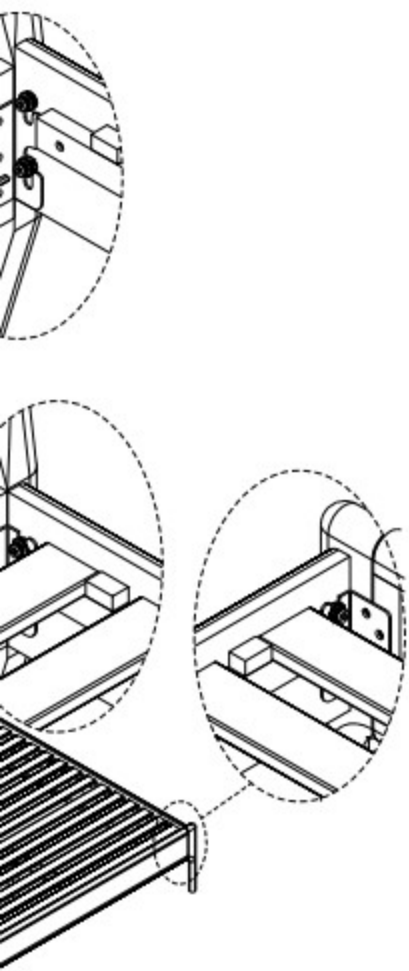


Assembly Instruction





Step 4